



US00D932659S

(12) **United States Design Patent** (10) **Patent No.:** **US D932,659 S**
Muc (45) **Date of Patent:** **** Oct. 5, 2021**

(54) **TWO PIECE TEMPORARY FENCE SUPPORT**

(71) Applicant: **CANPAD INC.**, Toronto (CA)

(72) Inventor: **Christopher Muc**, Toronto (CA)

(73) Assignee: **CANPAD INC.**, Toronto (CA)

(**) Term: **15 Years**

(21) Appl. No.: **29/747,762**

(22) Filed: **Aug. 25, 2020**

(51) **LOC (13) Cl.** **25-01**

(52) **U.S. Cl.**
USPC **D25/133**

(58) **Field of Classification Search**

USPC D25/125, 126, 127, 128, 129, 130, 131,
D25/132, 133, 134, 135, 136, 55, 56, 61,
D25/119, 164

CPC . E04B 2/76; E04B 2/7863; E06B 7/00; E06B
7/12; H02G 3/0437; H02G 3/045; F16L
9/22; E04C 3/32; E04H 12/2238; E04H
12/2261; E04H 12/2269; E04H 17/18

See application file for complete search history.

(56) **References Cited**

U.S. PATENT DOCUMENTS

D620,824 S * 8/2010 Hannah D10/113.3
D810,965 S * 2/2018 Whiteley D25/133
D834,219 S * 11/2018 Pilja D25/133

D907,253 S * 1/2021 Hilmerson D25/133
D920,146 S * 5/2021 Hotchkin D10/113.3
2006/0123726 A1 * 6/2006 Azarin E04B 1/4107
52/334
2017/0001094 A1 * 1/2017 Oh E01F 9/573

* cited by examiner

Primary Examiner — Samantha Q Lawrence

(74) *Attorney, Agent, or Firm* — Bhole IP Law; Anil Bhole; Marc Lampert

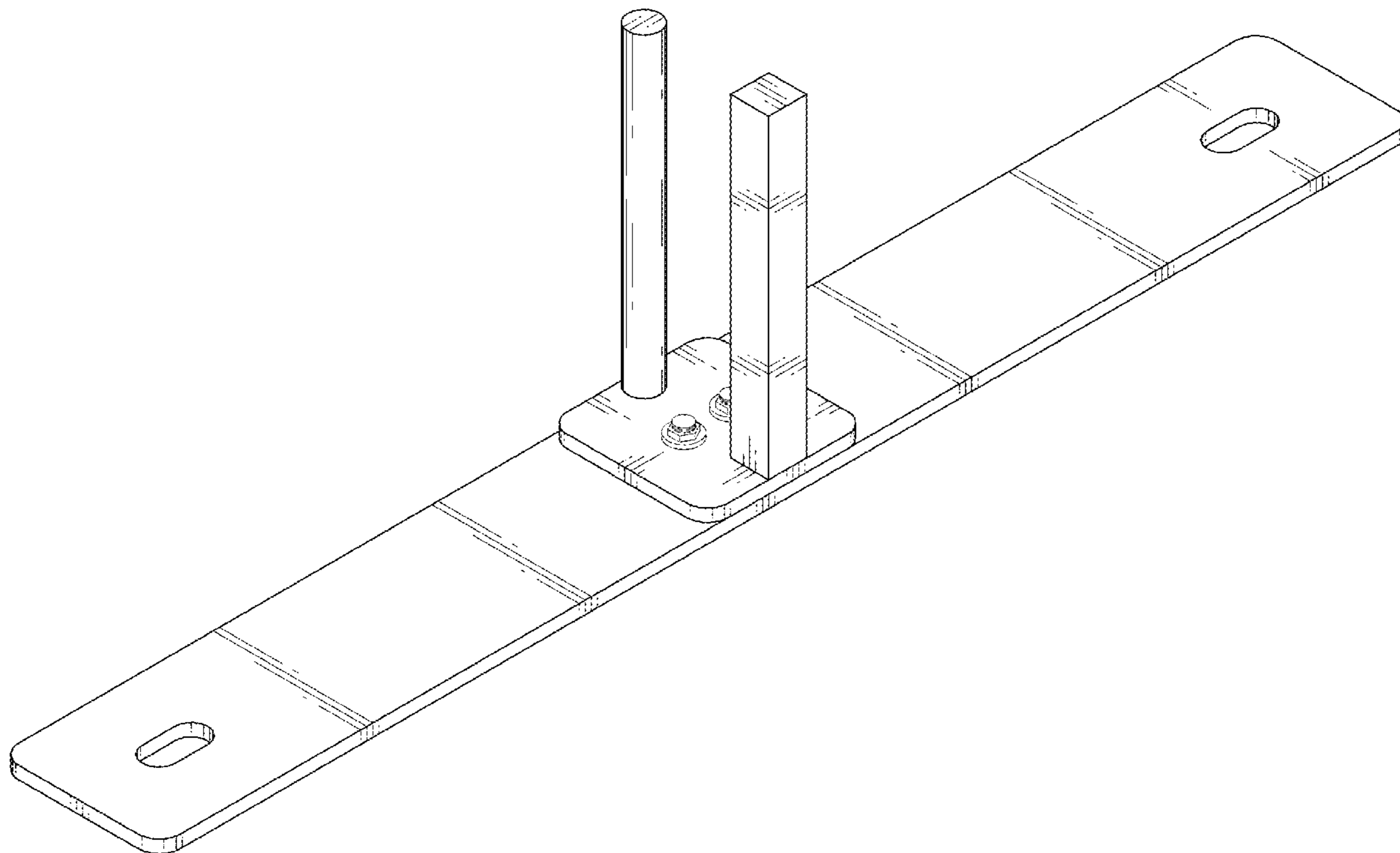
(57) **CLAIM**

The ornamental design for a two piece temporary fence support, substantially as shown and described.

DESCRIPTION

FIG. 1 is a front perspective view of the two piece temporary fence support;
FIG. 2 is a right side view of the two piece temporary fence support;
FIG. 3 is a left side view of the two piece temporary fence support;
FIG. 4 is a rear view of the two piece temporary fence support;
FIG. 5 is a front view of the two piece temporary fence support;
FIG. 6 is a top view of the two piece temporary fence support;
FIG. 7 is a bottom view of the two piece temporary fence support; and,
FIG. 8 is a front perspective exploded view of the two piece temporary fence support.

1 Claim, 6 Drawing Sheets



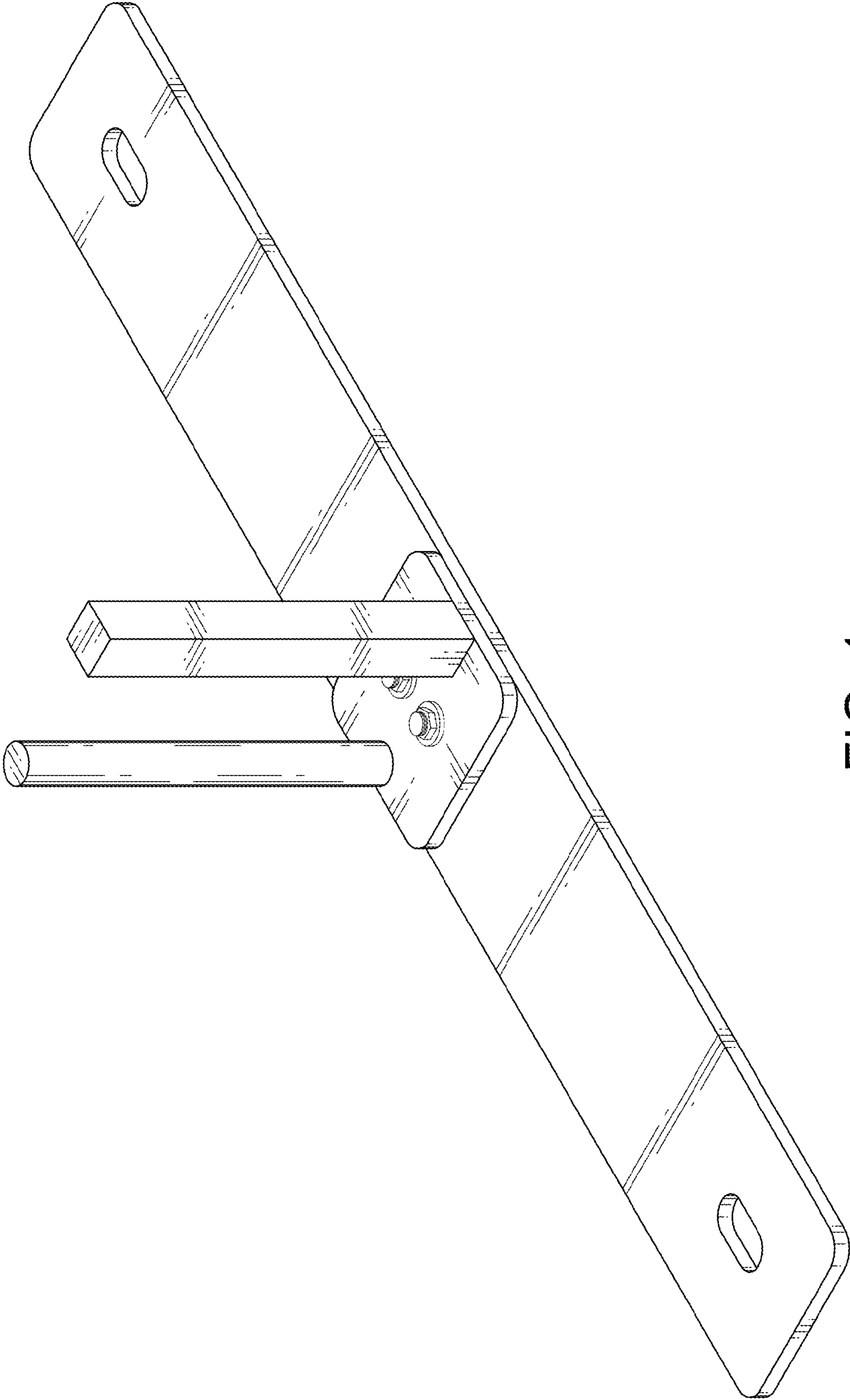


FIG. 1

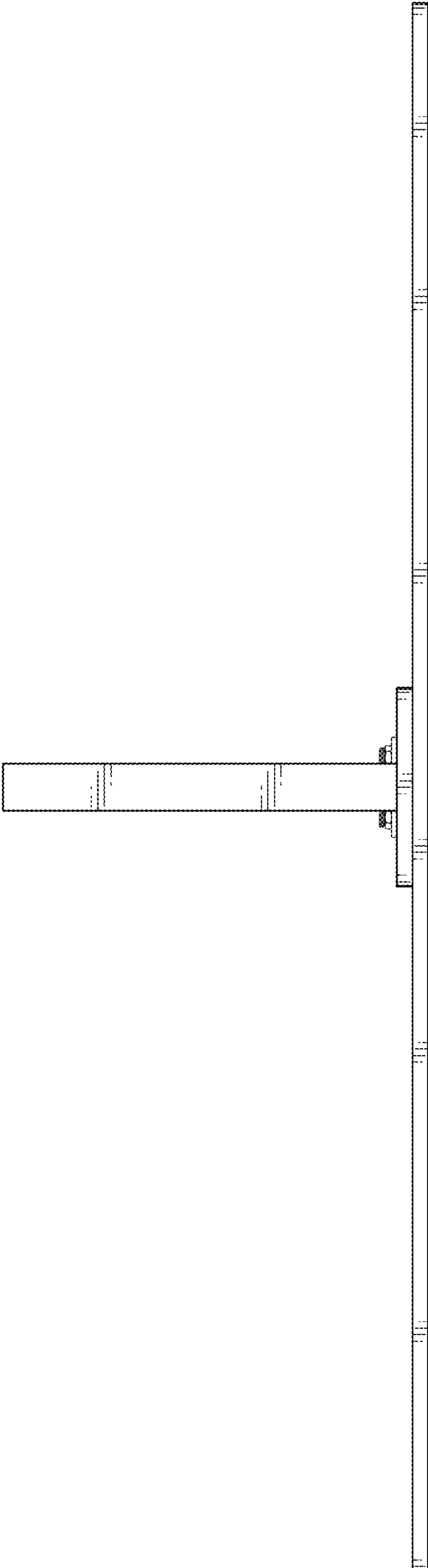


FIG. 2

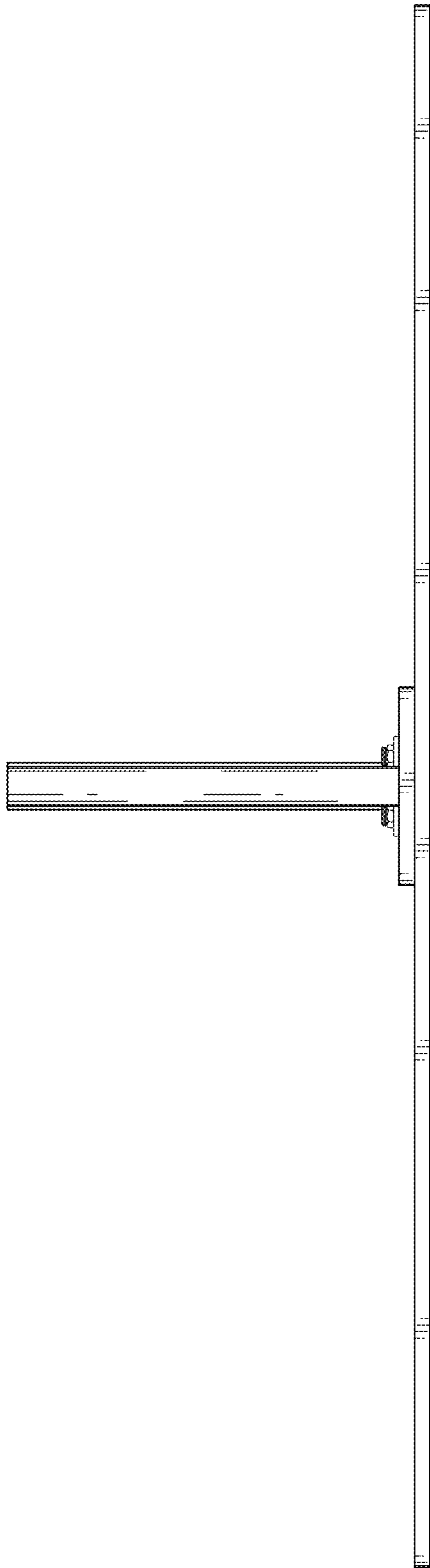


FIG. 3

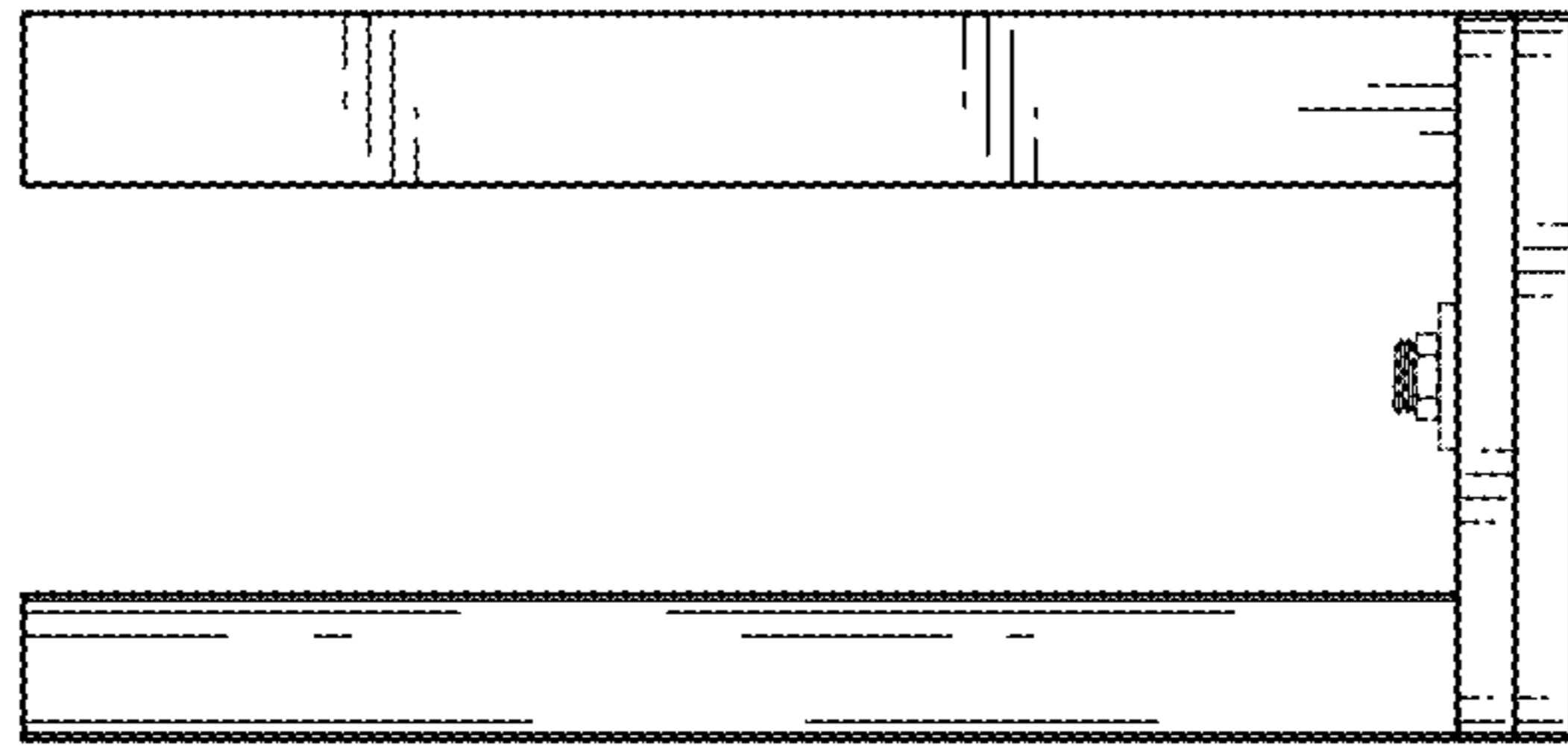


FIG. 5



FIG. 4

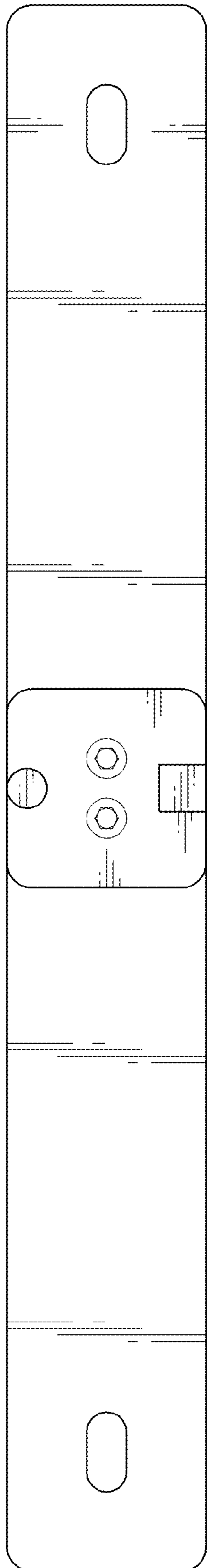


FIG. 6

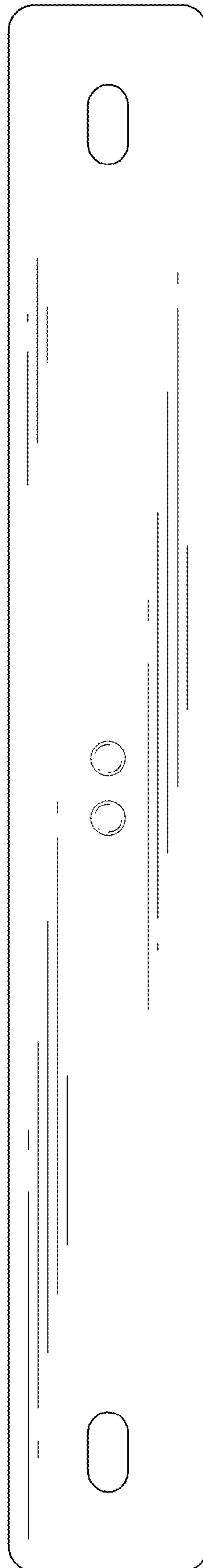


FIG. 7

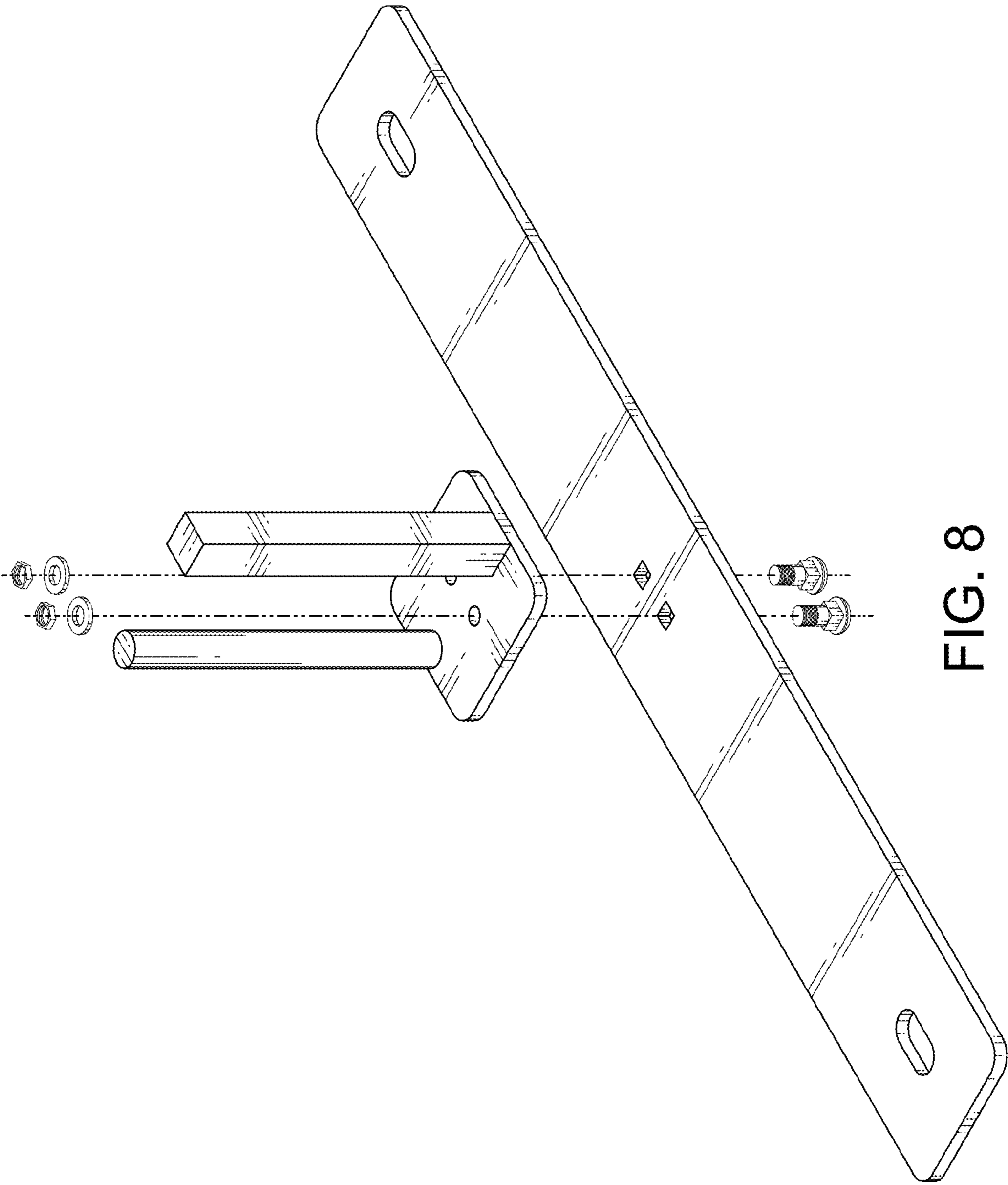


FIG. 8