



US00D932658S

(12) **United States Design Patent**  
**Bennett et al.**

(10) **Patent No.:** **US D932,658 S**  
(45) **Date of Patent:** **\*\* Oct. 5, 2021**

- (54) **HANDRAIL SUPPORT MEMBER**
- (71) Applicant: **InPro Corporation**, Muskego, WI (US)
- (72) Inventors: **Matthew G. Bennett**, New Berlin, WI (US); **Andrew R. Holten**, Muskego, WI (US)
- (73) Assignee: **InPro Corporation**, Muskego, WI (US)
- (\*\*) Term: **15 Years**
- (21) Appl. No.: **29/686,656**
- (22) Filed: **Apr. 5, 2019**
- (51) **LOC (13) Cl.** ..... **25-01**
- (52) **U.S. Cl.**  
USPC ..... **D25/126**
- (58) **Field of Classification Search**  
USPC ..... D25/119, 1-25, 61, 120-124, 125-136,  
D25/138, 141, 142, 143  
CPC ..... E04B 9/068; E04C 3/07; E04C 2003/046;  
G09F 15/0012; G09F 2007/1834; G09F  
2007/1843; G09F 7/10; G09F 7/18  
See application file for complete search history.

(56) **References Cited**

**U.S. PATENT DOCUMENTS**

D495,808 S *	9/2004	Habeck	.....	D25/119
D549,995 S *	9/2007	Guiles	.....	D25/119
D810,541 S *	2/2018	Amato	.....	D8/301
D814,060 S *	3/2018	Singh	.....	D25/119
D820,474 S *	6/2018	Kosonen	.....	D25/119
D822,228 S *	7/2018	Wang	.....	D25/119
D829,348 S *	9/2018	Hynek	.....	D25/119
D832,465 S *	10/2018	Hilliaho	.....	D25/119
D843,599 S *	3/2019	Bates-Hurtado	.....	D25/119
D847,381 S *	4/2019	Ksiezopolski	.....	D25/119
D853,589 S *	7/2019	Jackson	.....	D25/119

D872,884 S *	1/2020	Carter	.....	D25/119
D901,040 S *	11/2020	Helms	.....	D25/119
D901,723 S *	11/2020	Kosonen	.....	D25/124
D906,548 S *	12/2020	Jackson	.....	D25/119
D911,558 S *	2/2021	McKinley	.....	D25/119

**OTHER PUBLICATIONS**

New York State Office of Mental Health, "Patient Safety Standards, Materials and Systems Guidelines," pp. 90-94, 21<sup>st</sup> Edition, Mar. 11, 2019, accessed on the internet [[https://www.omh.ny.gov/omhweb/patient\\_safety\\_standards/guide.pdf](https://www.omh.ny.gov/omhweb/patient_safety_standards/guide.pdf)], 211 pages.

(Continued)

*Primary Examiner* — Samantha Q Lawrence

(74) *Attorney, Agent, or Firm* — Reinhart Boerner Van Deuren s.c.

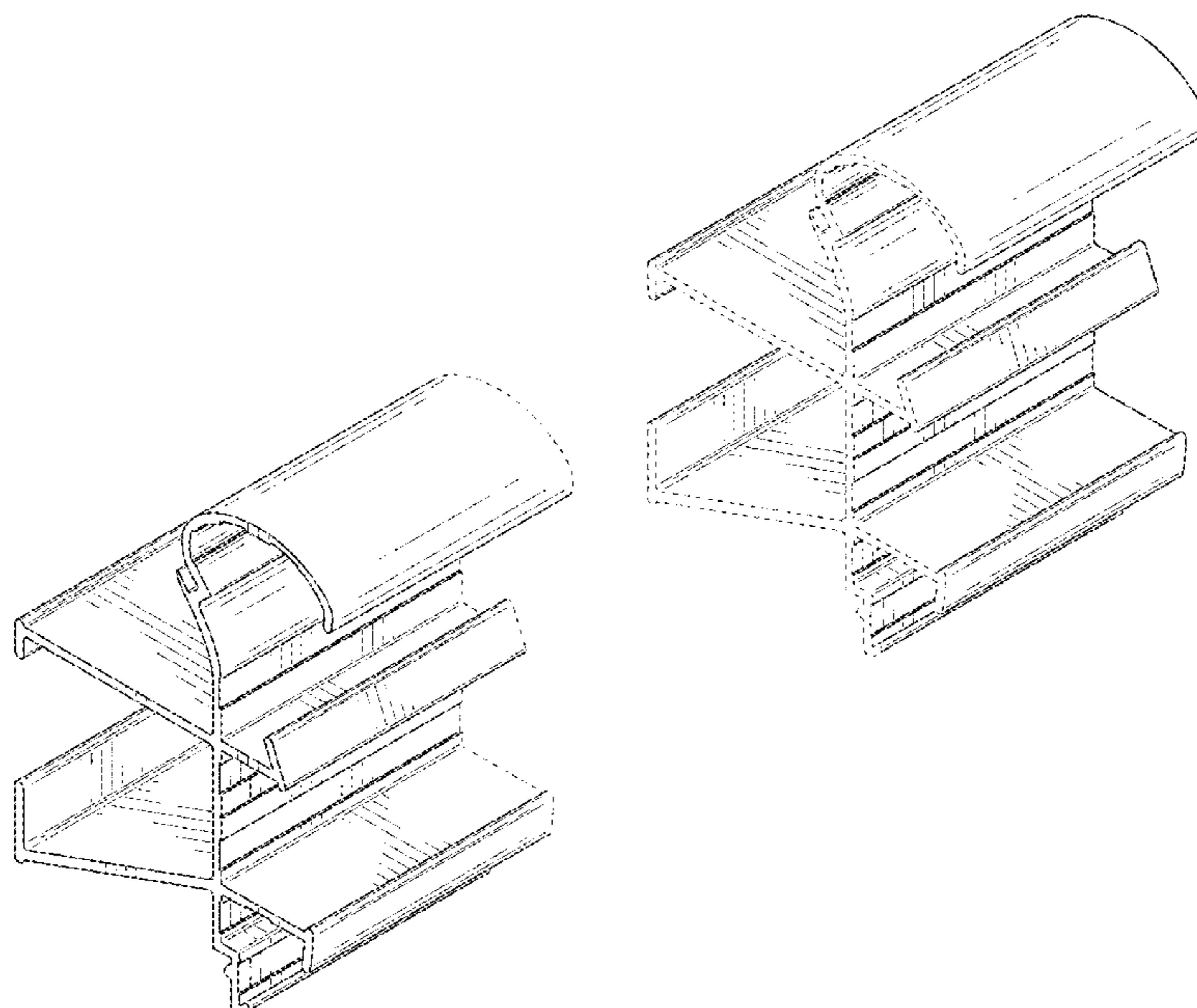
(57) **CLAIM**

We claim the ornamental design for the handrail support member, as shown and described.

**DESCRIPTION**

FIG. 1 is a top perspective view of the handrail support member;  
 FIG. 2 is a bottom perspective view of FIG. 1;  
 FIG. 3 is a left side view of FIG. 1;  
 FIG. 4 is a right side view of FIG. 1;  
 FIG. 5 is a front view of FIG. 1;  
 FIG. 6 is a rear view of FIG. 1;  
 FIG. 7 is a top view of FIG. 1; and,  
 FIG. 8 is a bottom view of FIG. 1.  
 The broken lines shown in FIGS. 1-2 and FIGS. 5-8 illustrate portions of the handrail support member and form no part of the claimed design. The handrail support member is shown with a symbolic break in its length. The appearance of any portion of the article between the broken lines forms no part of the claimed design.

**1 Claim, 7 Drawing Sheets**



(56)

**References Cited**

OTHER PUBLICATIONS

Construction Specialties Group, "HRB-4CCMN," Dec. 12, 2012, accessed on the Internet [<https://www.c-sgroup.com/files/tech-center/acrovyn/cad/pdf/hrb4ccmn.pdf>], 1 page.

Construction Specialties Group, "HRB-4CCMN Handrail with Ligature Resistant Mounting Bracket," Installation Guide, Mar. 27, 2015, accessed on the Internet [<https://www.c-sgroup.com/files/tech-center/acrovyn/install/pdf/24hrb4ccmn.pdf>], 7 pages.

Construction Specialties Group, "HRB-20CMN ACROVYN 4000," Dec. 12, 2012, accessed on the Internet [<https://www.c-sgroup.com/files/tech-center/acrovyn/cad/pdf/hrb-20cmn.pdf>], 1 page.

Construction Specialties Group, "HRB-20CMN Handrail with Ligature Resistant Mounting Bracket," Dec. 12, 2012, accessed on the Internet [<https://www.c-sgroup.com/files/tech-center/acrovyn/install/pdf/hrb-20cmn.pdf>], 7 pages.

Pawling Corporation, "Pro Tek Installation Instruction, BR-500 Series Handrail with Continuous Security Bracket," available on Jan. 10, 2019, 4 pages.

Pawling Corporation, "Pro Tek Installation Instruction, BR-400V Series Handrails," available on Jan. 10, 2019, 4 pages.

\* cited by examiner

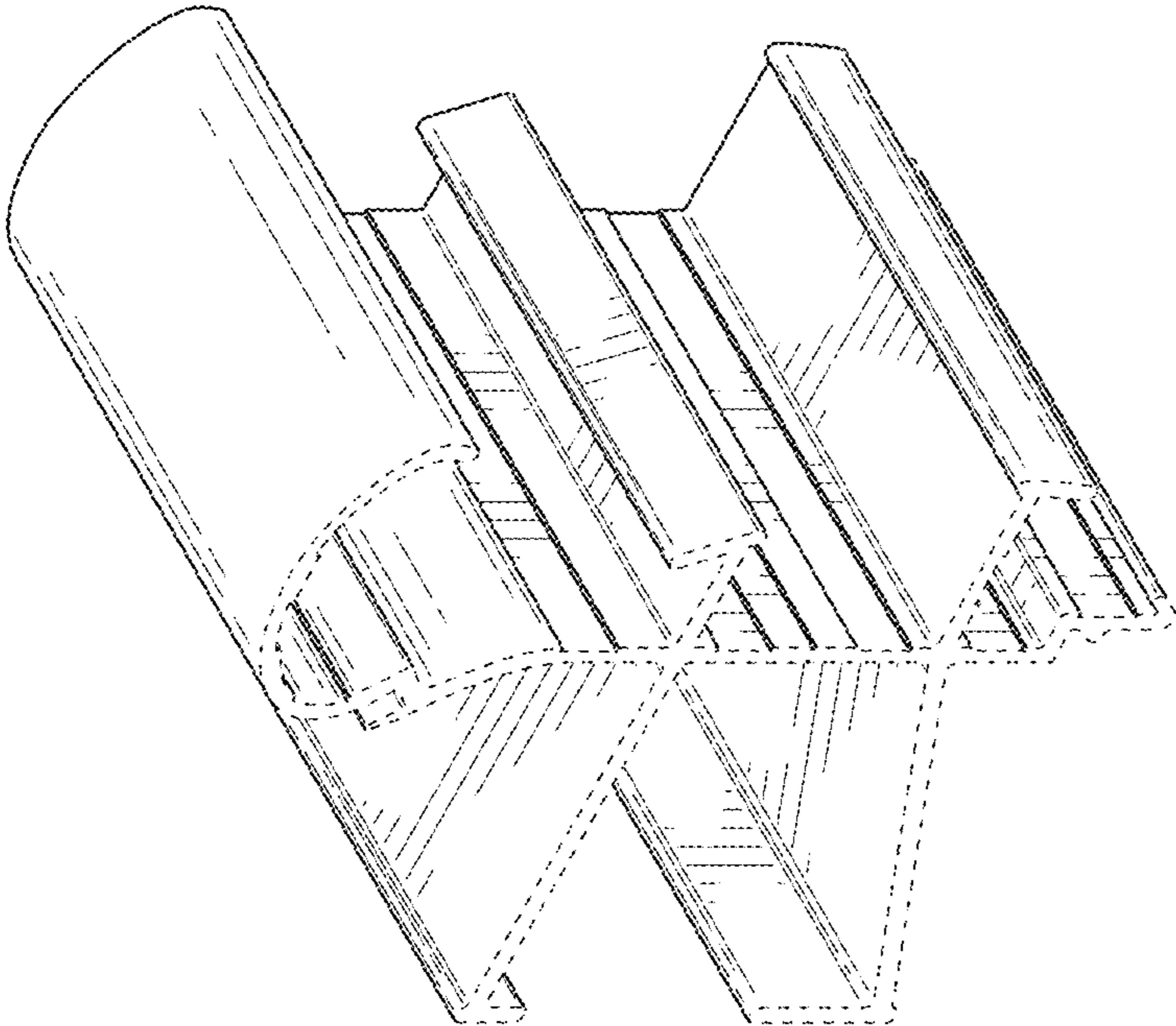
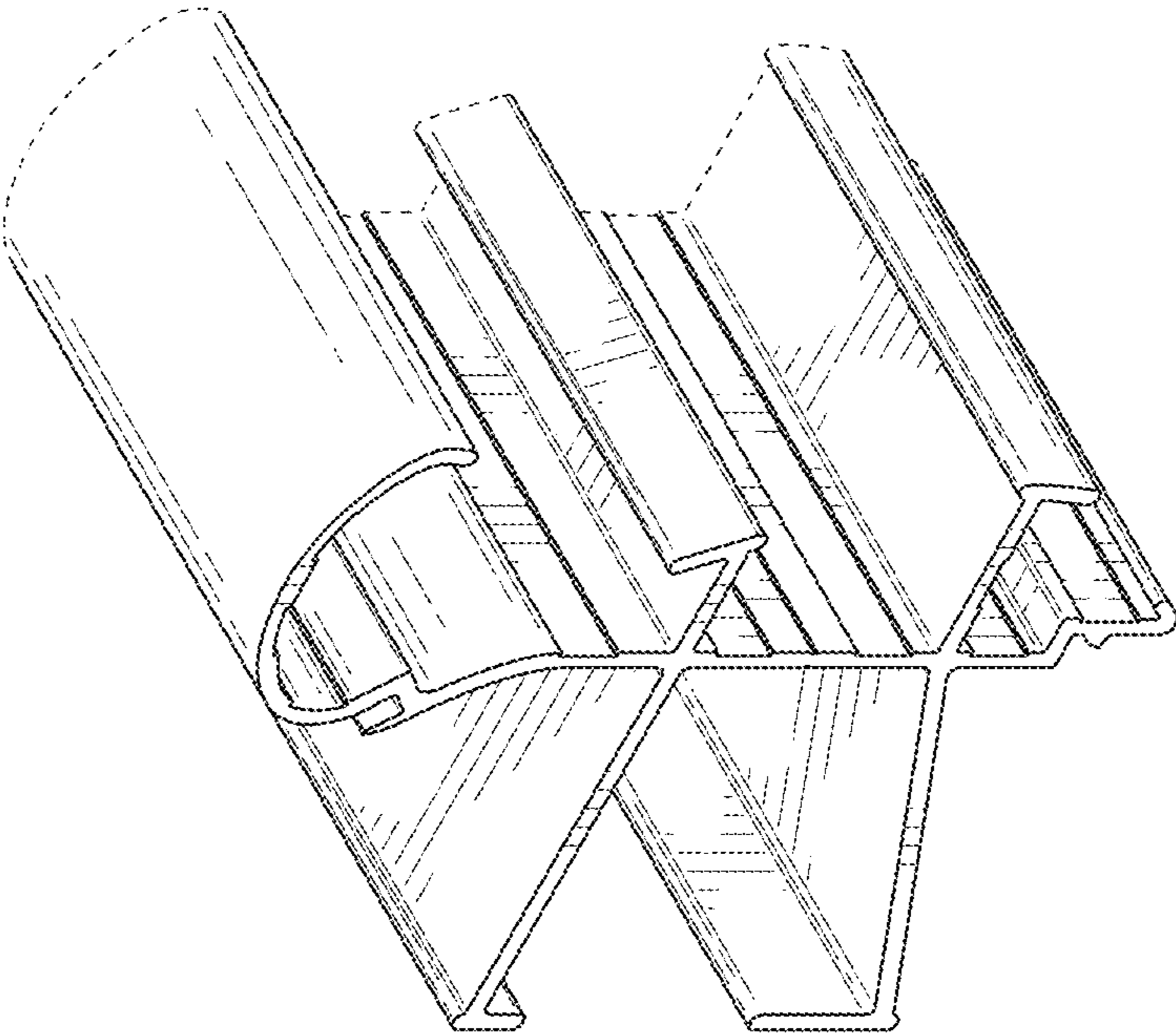


FIG. 1





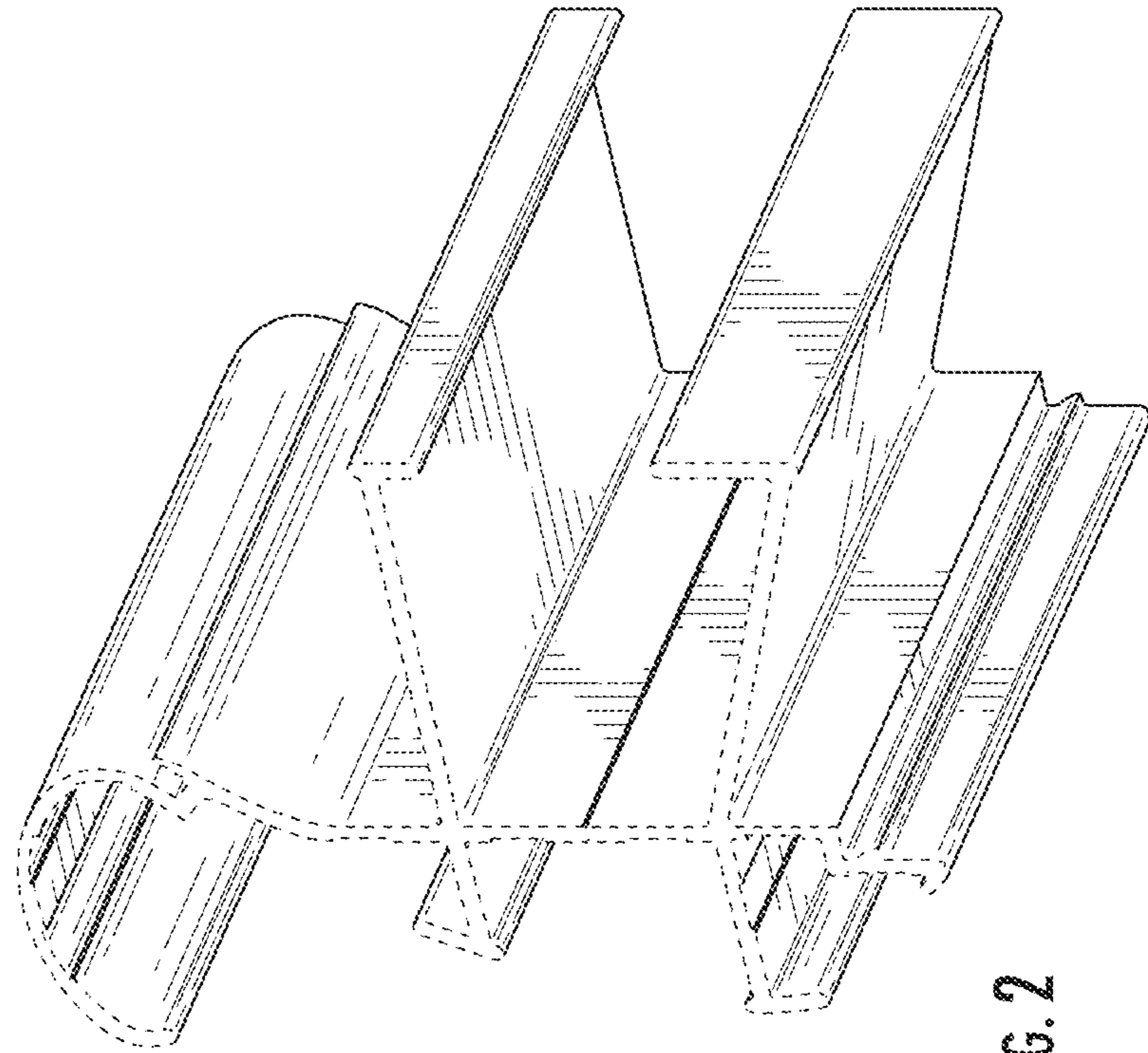
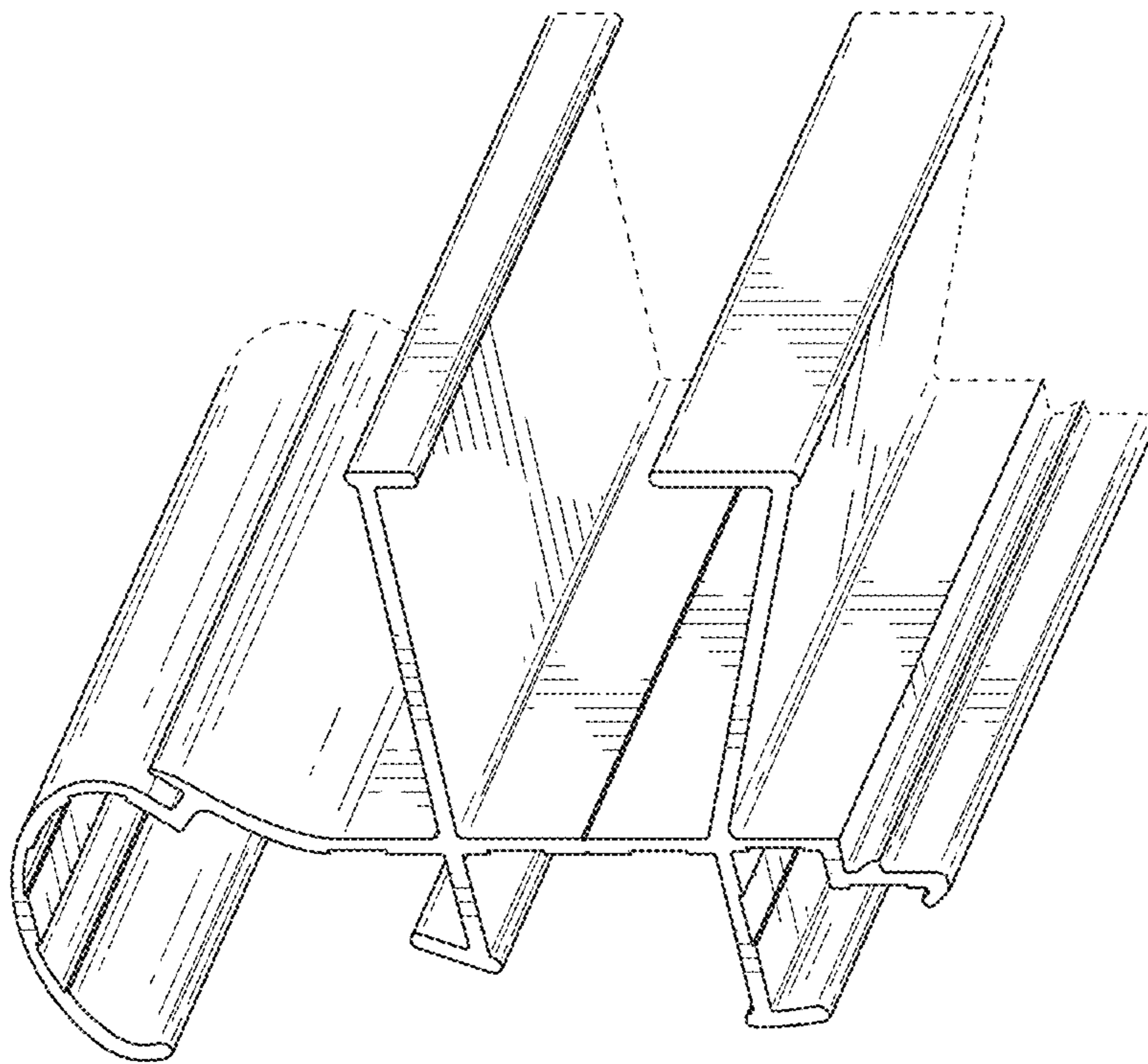


FIG. 2



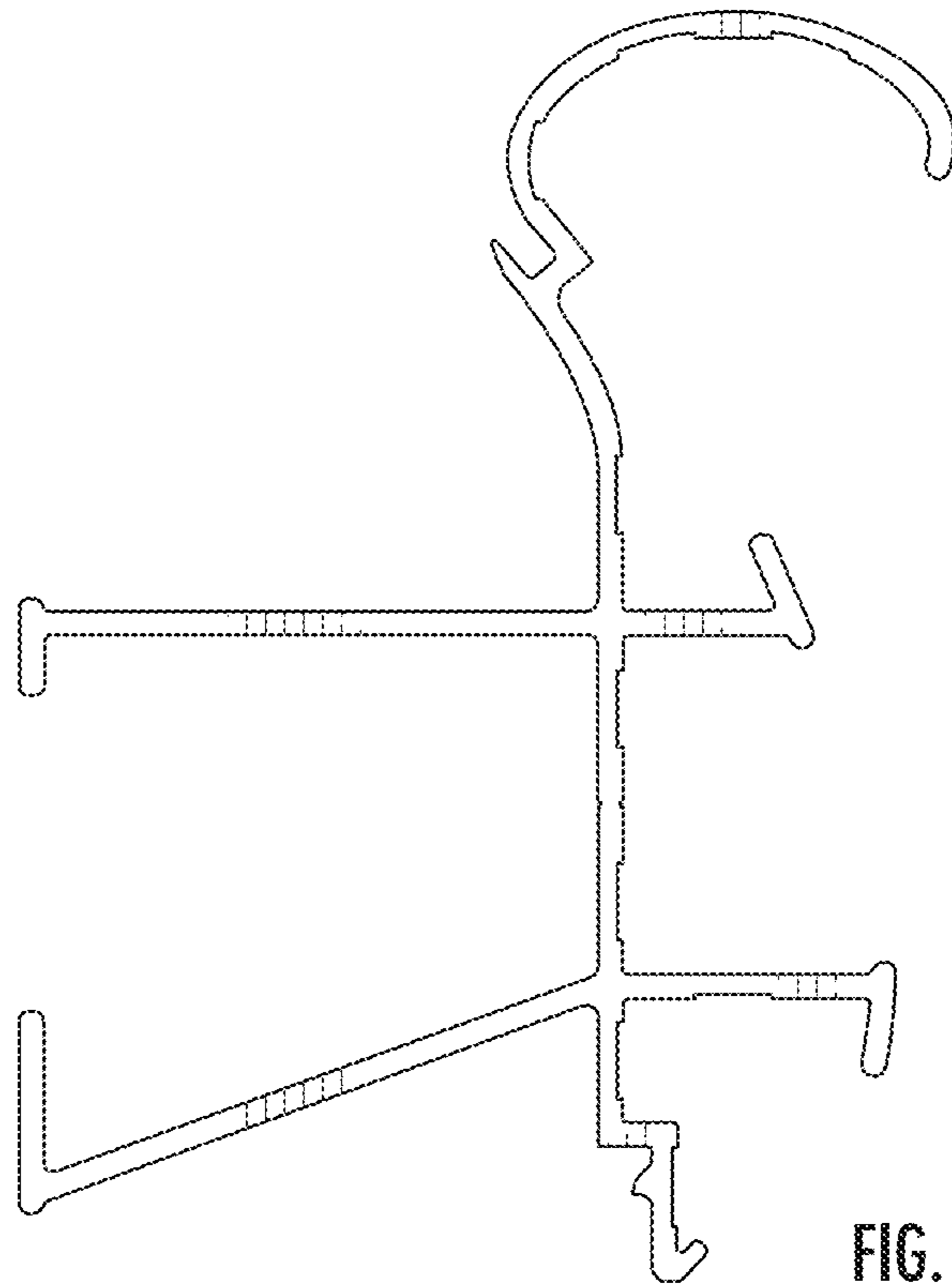


FIG. 3

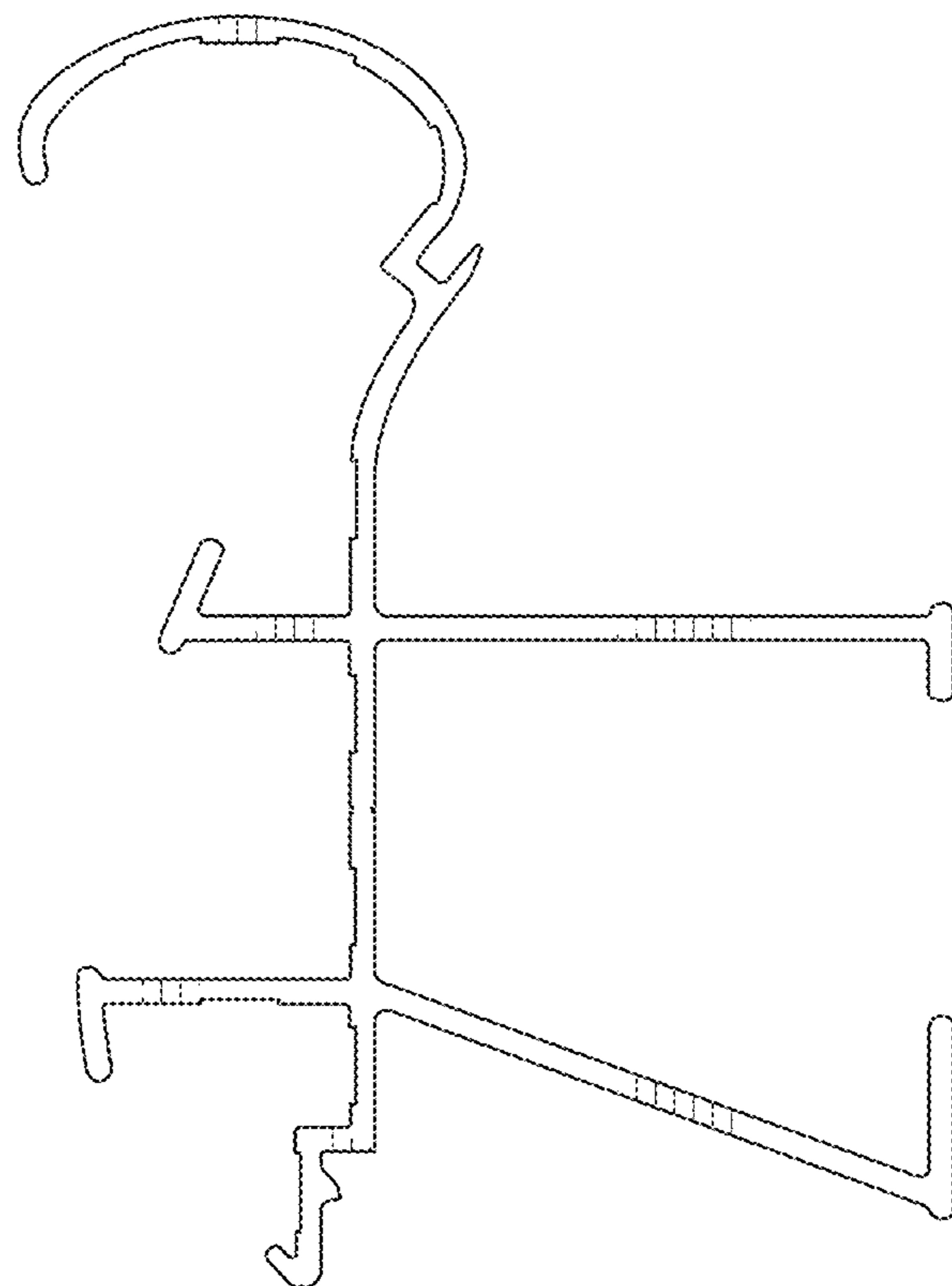


FIG. 4

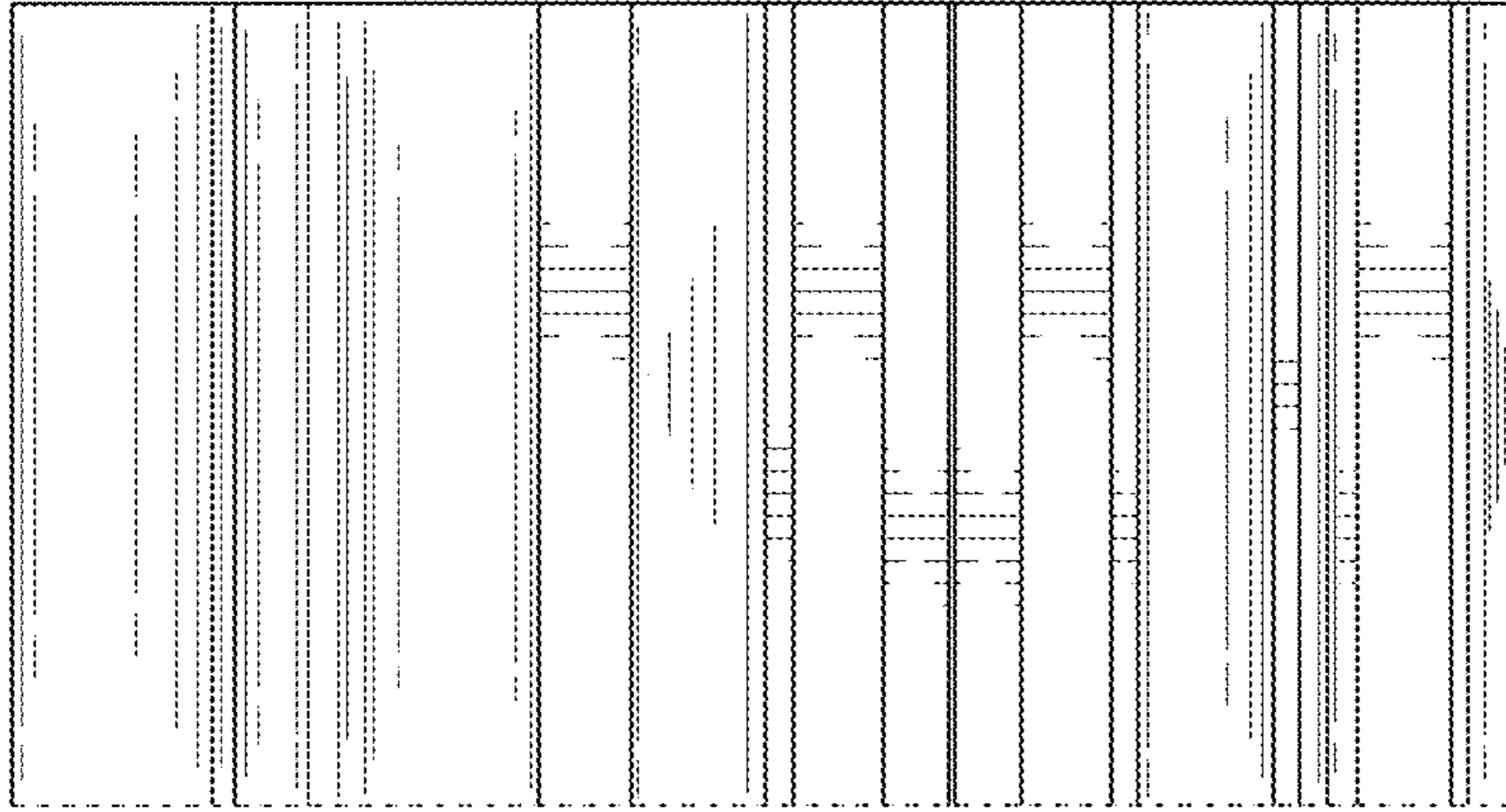
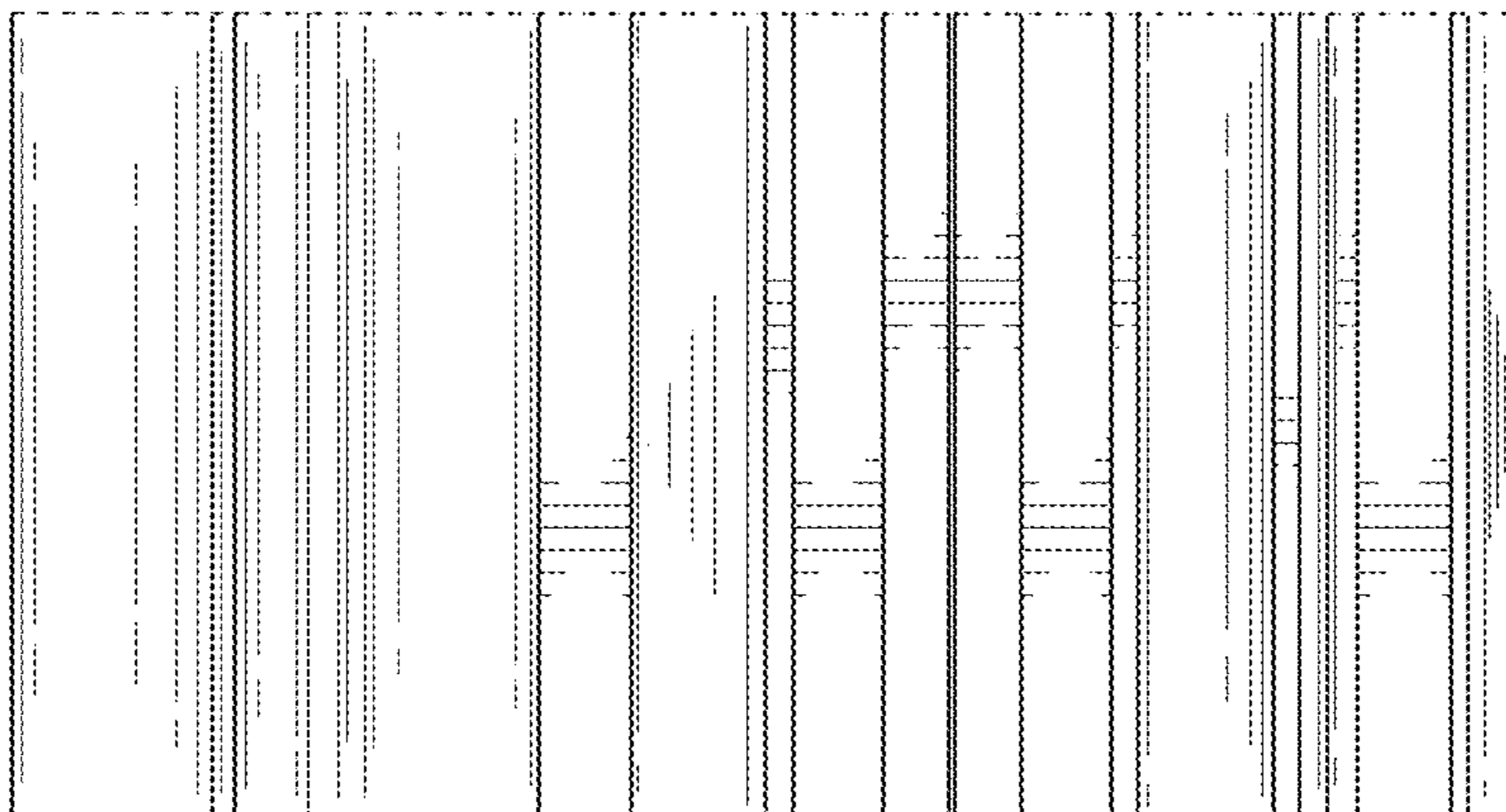


FIG. 5



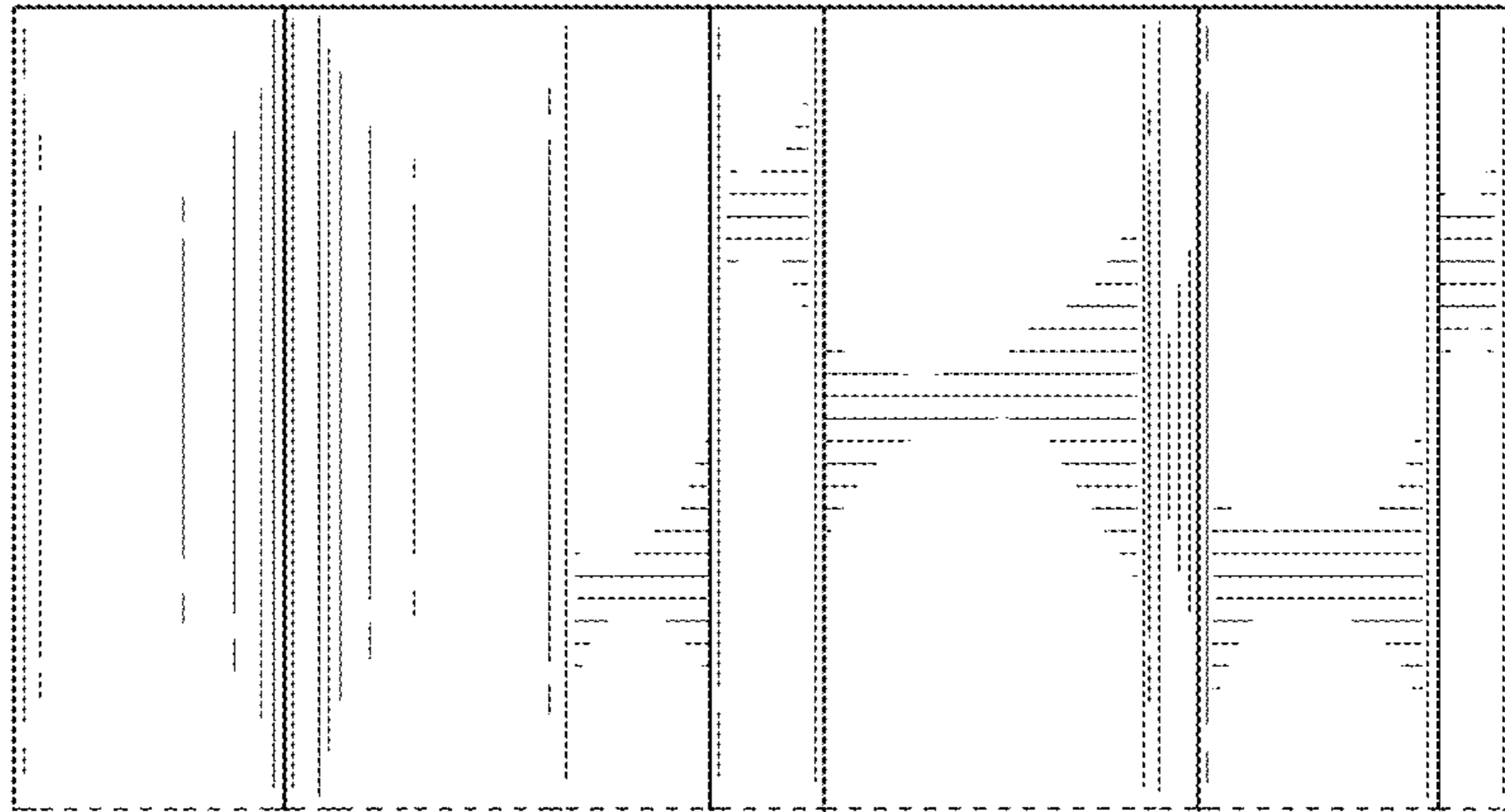
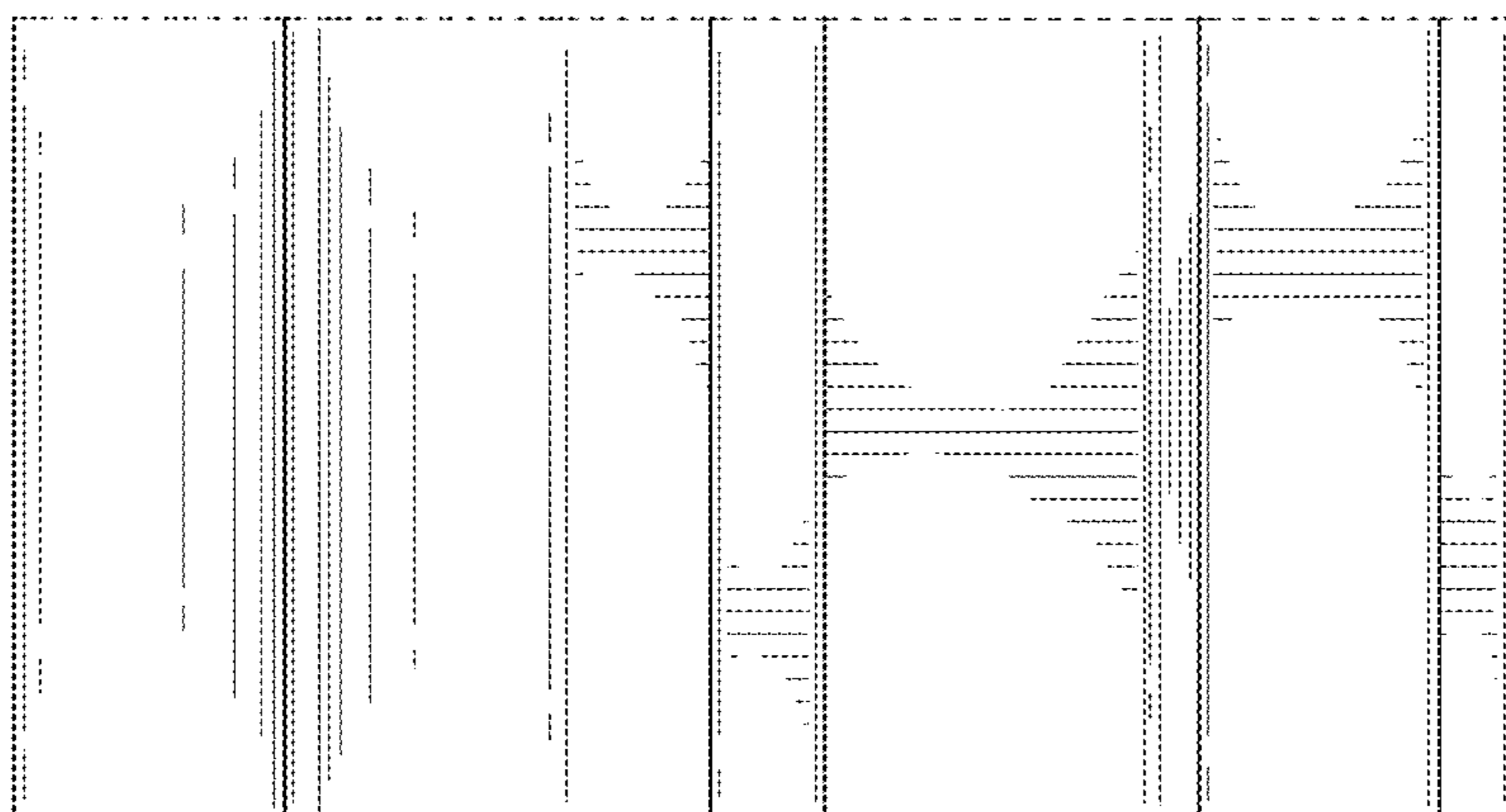


FIG. 6



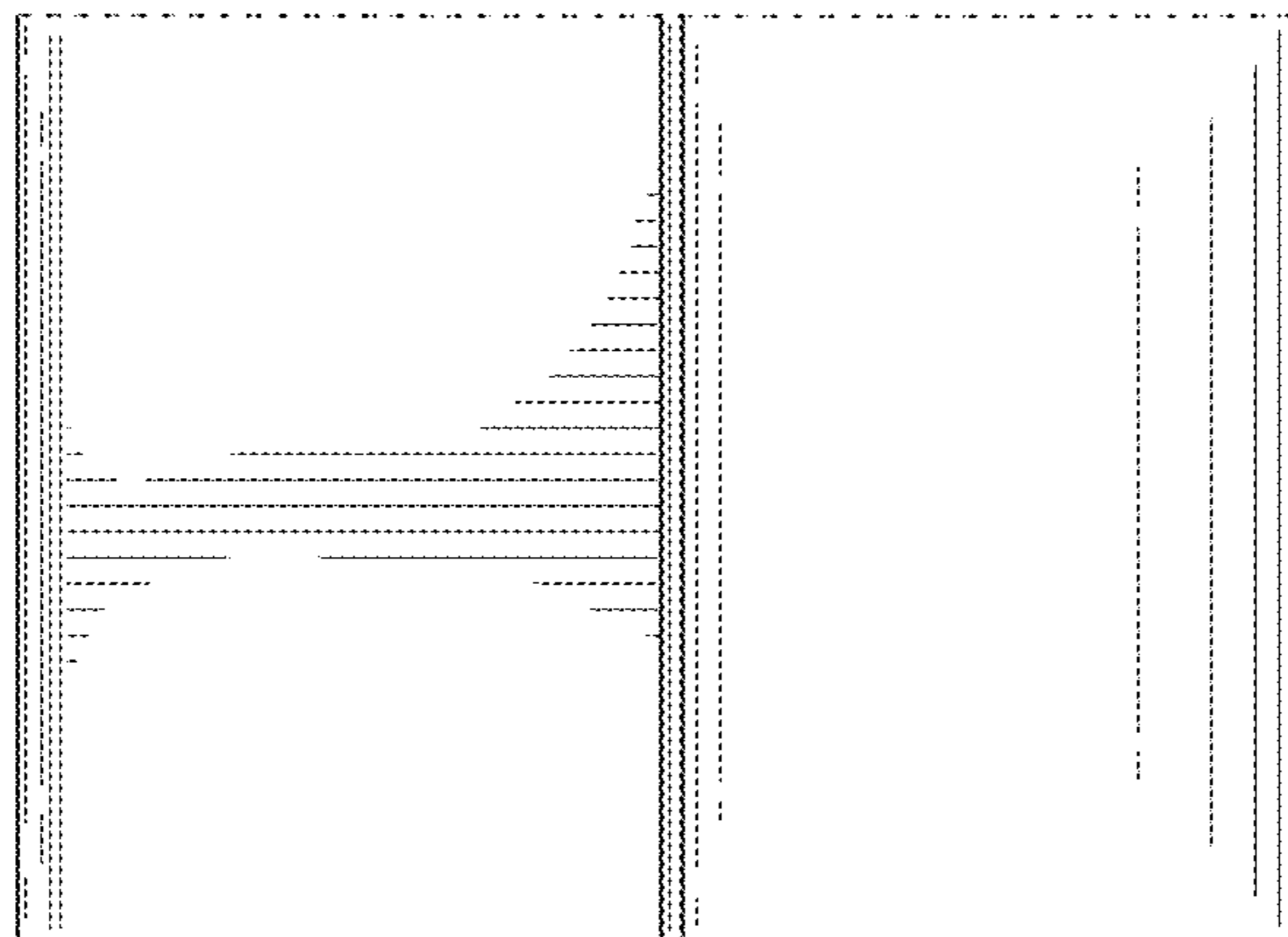
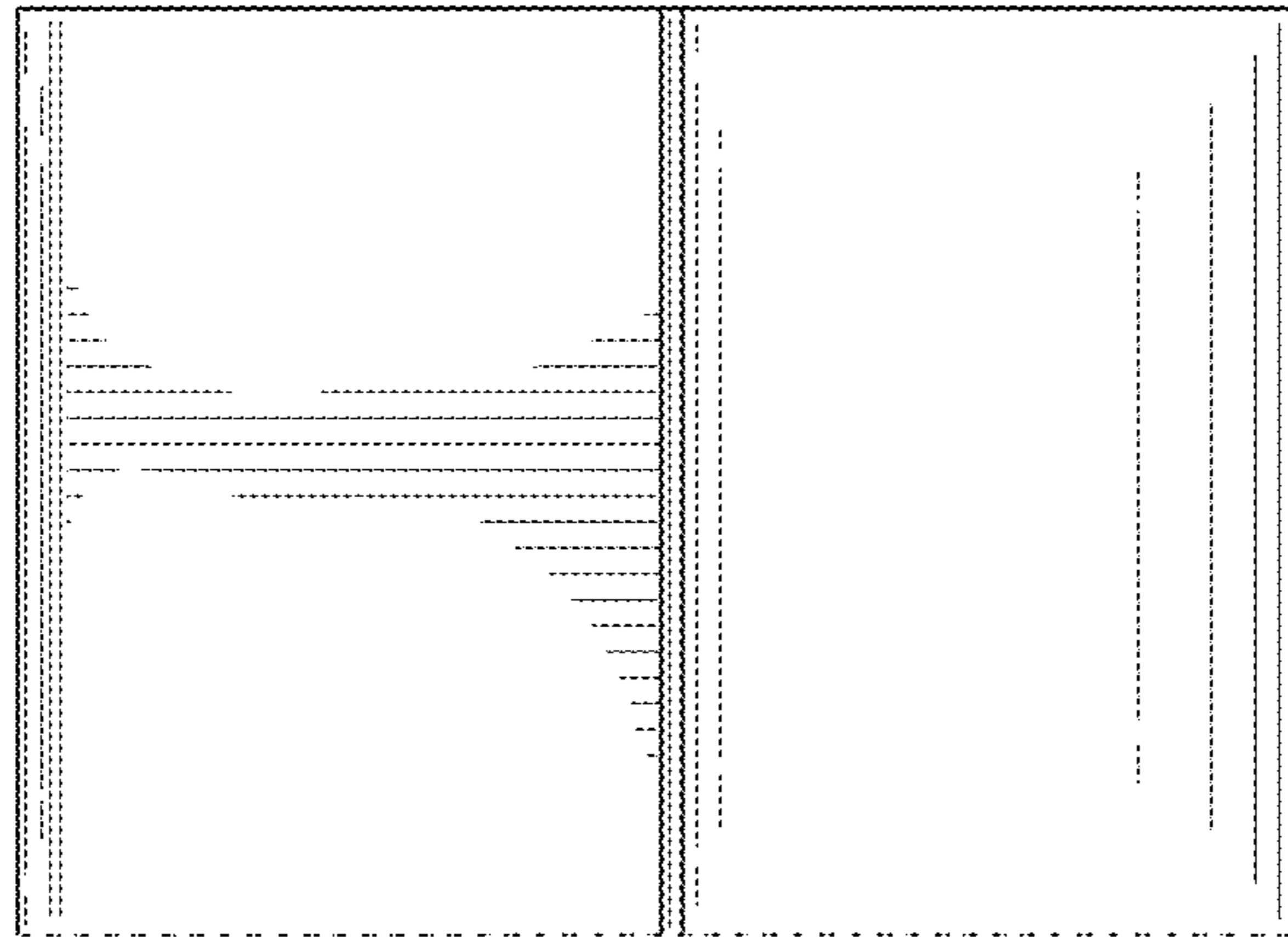


FIG. 7



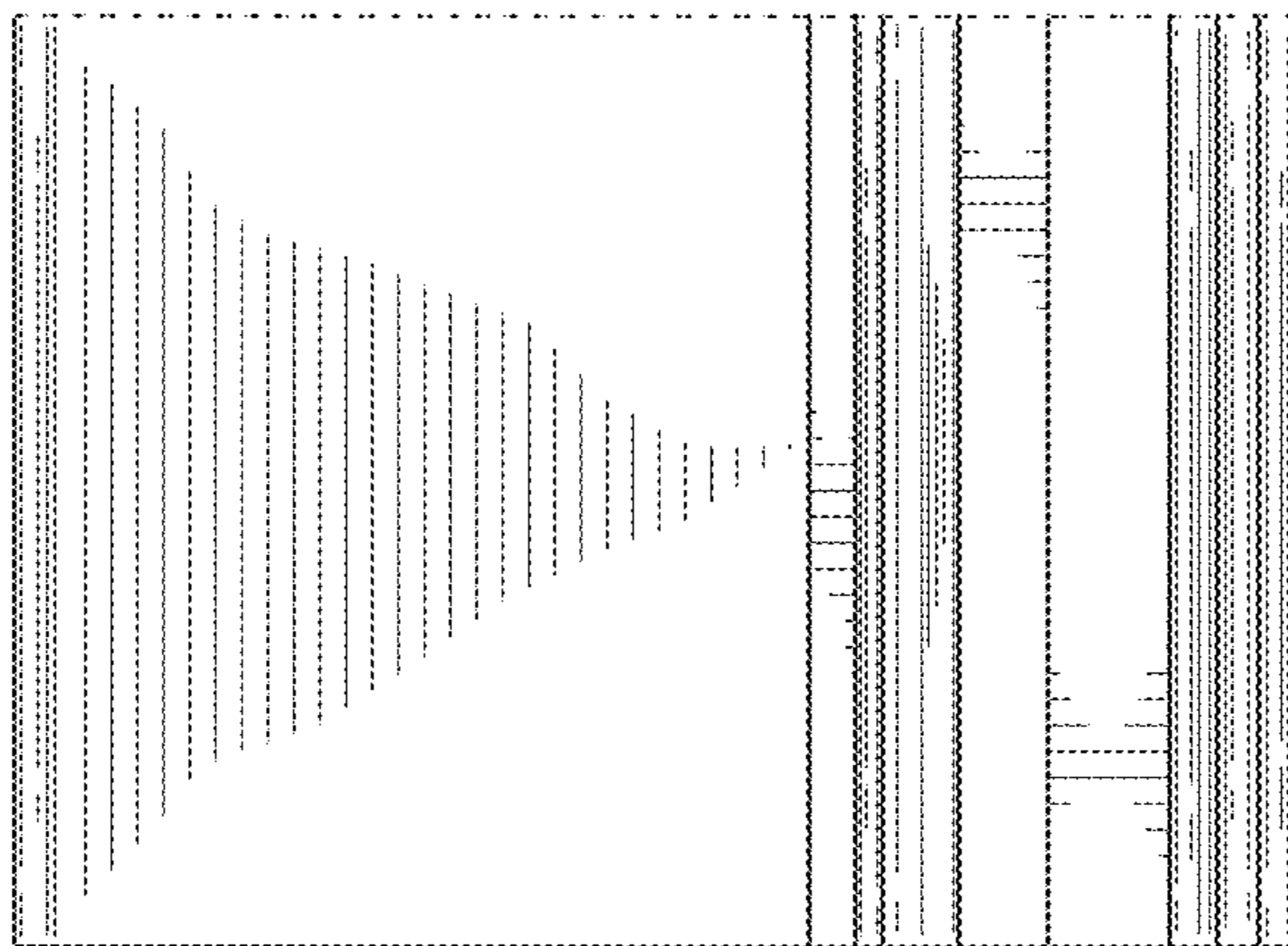
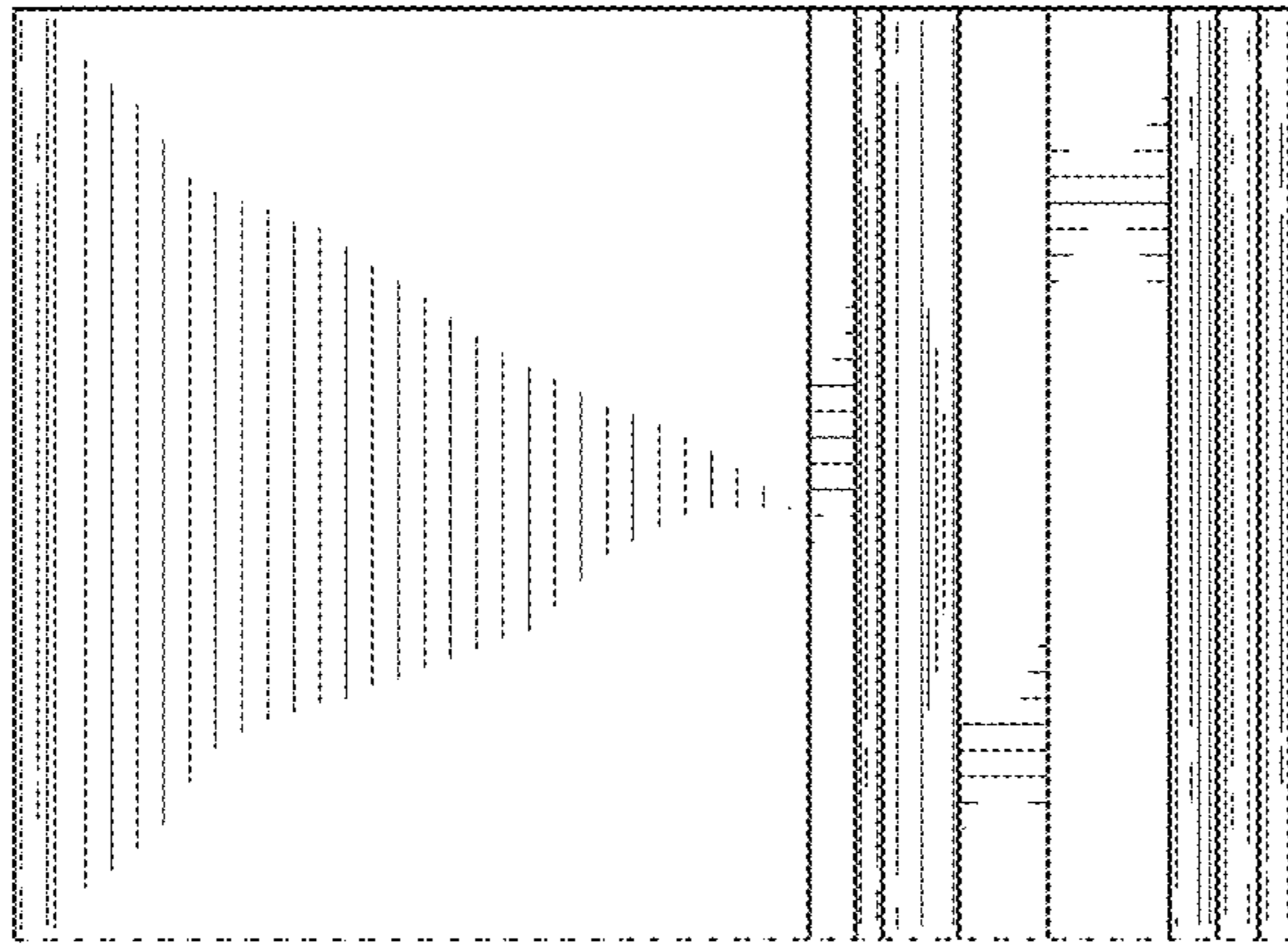


FIG. 8