



US00D932652S

(12) **United States Design Patent** (10) **Patent No.:** **US D932,652 S**
Eberl et al. (45) **Date of Patent:** **** Oct. 5, 2021**

(54) **ROOFTOP RAILING SYSTEM**

- (71) Applicant: **Eberl Iron Works, Inc.**, Buffalo, NY (US)
- (72) Inventors: **John C. Eberl**, Buffalo, NY (US);
Justin Carr, Buffalo, NY (US)
- (73) Assignee: **EBERL IRON WORKS, INC.**, Buffalo, NY (US)
- (**) Term: **15 Years**
- (21) Appl. No.: **29/726,193**
- (22) Filed: **Mar. 1, 2020**

Related U.S. Application Data

- (62) Division of application No. 29/699,359, filed on Jul. 24, 2019, now Pat. No. Des. 880,003.
 - (51) **LOC (13) Cl.** **25-02**
 - (52) **U.S. Cl.**
USPC **D25/38.1**
 - (58) **Field of Classification Search**
USPC D25/38.1, 39, 41.1, 43, 44, 45, 66
CPC E01F 13/02; E01F 13/022; E01F 13/024;
E04G 21/3223; E04G 21/3233; E04G 5/04;
E04G 5/041; E04G 5/046; E04G 5/14;
E04F 11/1817; E04F 11/1865; E04D 11/00;
E04D 13/0335; E04H 17/14; E04H 17/1421;
E04H 17/22; E04H 12/2269
- See application file for complete search history.

References Cited

U.S. PATENT DOCUMENTS

- D43,458 S * 1/1913 Ferris D30/114
- 3,020,023 A * 2/1962 MacIntyre E01F 9/692
- 256/24

(Continued)

OTHER PUBLICATIONS

Diversified Fall Protection YouTube https://www.youtube.com/watch?v=_eQzsavmqTE&feature=emb_logo Jan. 9, 2015 (Year: 2015).*

(Continued)

Primary Examiner — Leanne Was-Englehart
(74) *Attorney, Agent, or Firm* — Hodgson Russ LLP

(57) **CLAIM**

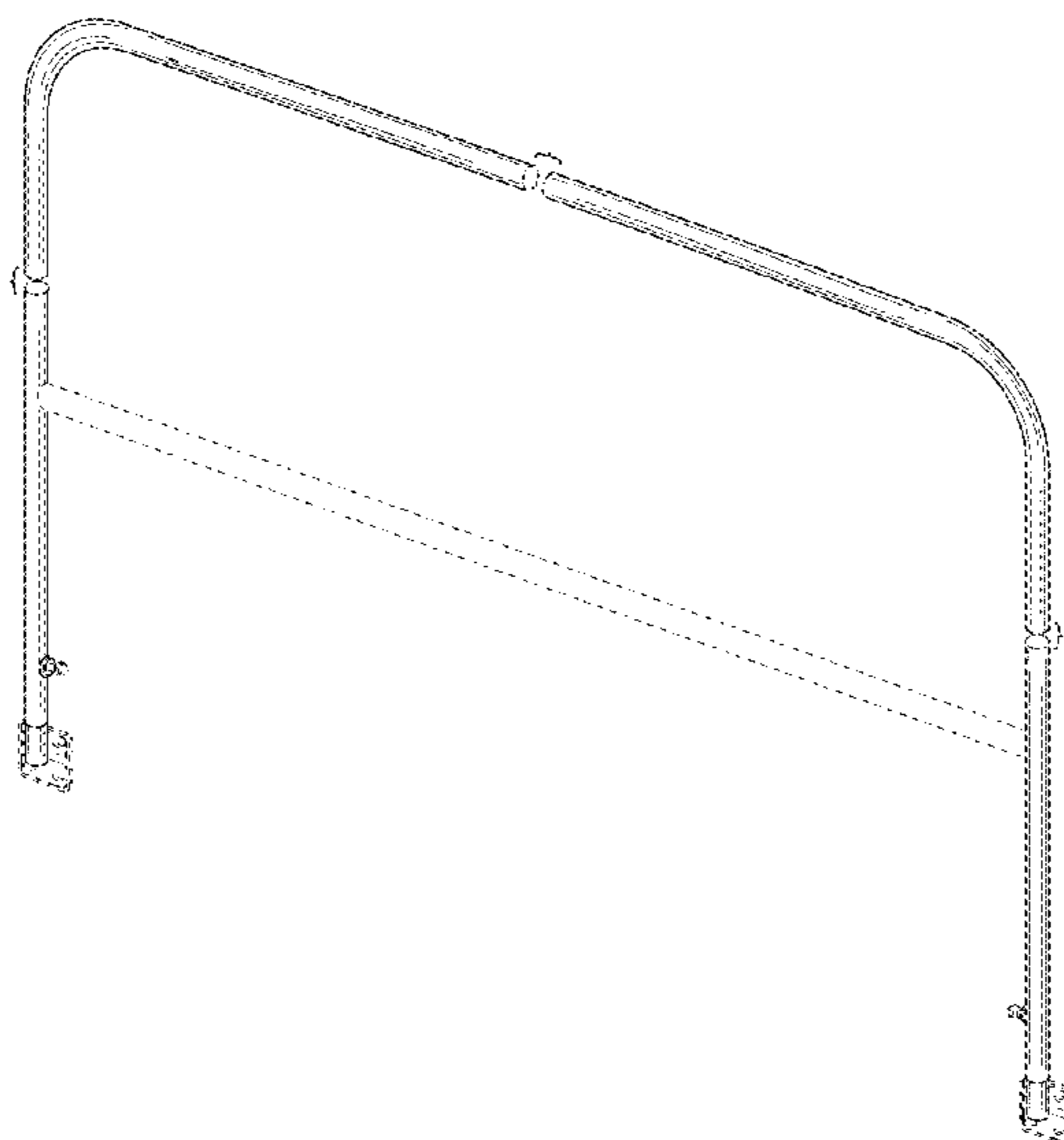
The ornamental design for a rooftop railing system, as shown and described.

DESCRIPTION

FIG. 1 is a perspective view of a rooftop railing system, showing our new design;
 FIG. 2 is a front elevation view thereof;
 FIG. 3 is a rear elevation view thereof;
 FIG. 4 is a left side elevation view thereof;
 FIG. 5 is a right side elevation view thereof;
 FIG. 6 is a top plan view thereof;
 FIG. 7 is a bottom plan view thereof;
 FIG. 8 is a detail view thereof taken from area 8 in FIG. 2;
 FIG. 9 is a perspective view thereof, showing the base plate apart from the railing for ease of understanding;
 FIG. 10 is a front elevation view thereof;
 FIG. 11 is a rear elevation view thereof;
 FIG. 12 is a left side elevation view thereof;
 FIG. 13 is a right side elevation view thereof;
 FIG. 14 is a top plan view thereof; and,
 FIG. 15 is a bottom plan view thereof.

The dash-dash broken lines in the figures illustrate portions of the rooftop railing system that form no part of the claimed design. The dash-dot-dash broken lines depict the bounds of the claim. The dash-dot-dot-dash broken line circles depict the limits of the enlarged view and form no part of the claimed design. The drawings contain a symbolic break. The portion between the break lines forms no part of the claimed design.

1 Claim, 11 Drawing Sheets



(56)

References Cited

U.S. PATENT DOCUMENTS

D209,134 S 11/1967 Blum
 D210,936 S 5/1968 Blum
 3,594,025 A * 7/1971 Wagner F16B 12/40
 403/190
 3,776,521 A 12/1973 Weinert
 4,150,510 A 4/1979 Harrison
 4,620,612 A * 11/1986 Enoki B63C 5/02
 182/113
 4,869,343 A * 9/1989 Anderson E04G 5/14
 182/113
 5,107,959 A * 4/1992 Lubinski E04G 3/30
 182/113
 5,145,153 A * 9/1992 Glynn E04G 21/3233
 256/59
 5,161,784 A * 11/1992 Sader E01F 13/02
 256/19
 D334,301 S * 3/1993 Buckley D25/43
 D350,038 S * 8/1994 Buckley D25/43
 5,377,958 A 1/1995 Palmer
 5,396,739 A * 3/1995 Venegas, Jr. E01F 13/022
 256/65.08
 D361,448 S 8/1995 Buckley
 D401,349 S 11/1998 Hill
 D402,041 S 12/1998 Hill
 5,842,685 A 12/1998 Purvis
 6,298,997 B1 * 10/2001 Jarrett A47F 10/04
 211/17
 6,406,002 B1 6/2002 Hardy
 6,477,972 B2 11/2002 Perkins
 6,554,257 B1 * 4/2003 Kenton E04G 21/3233
 256/24
 6,578,827 B2 6/2003 McCracken
 6,902,153 B1 6/2005 Kenton
 6,931,793 B2 * 8/2005 Joyce E04D 13/0315
 182/112
 6,942,199 B2 9/2005 Higgs
 D511,009 S 10/2005 McGregor
 D532,840 S * 11/2006 Krlin D21/698
 RE39,842 E 9/2007 Purvis
 D552,751 S 10/2007 Van Buskirk
 7,300,037 B2 * 11/2007 Beirne, Jr. E04D 13/0335
 256/64
 7,516,575 B2 4/2009 Cuccurullo
 D596,760 S * 7/2009 Bock D25/38.1
 D620,131 S * 7/2010 Ray D25/48.3
 D620,608 S * 7/2010 Deneyer D25/38.1
 7,832,148 B2 11/2010 Stoffels
 D646,399 S * 10/2011 Deneyer D25/38.1
 D657,888 S 4/2012 Darby
 8,256,183 B2 9/2012 Berlee
 8,366,079 B2 2/2013 Stoffels
 8,424,851 B2 * 4/2013 Christoffer E04G 21/3223
 256/65.14
 8,474,575 B2 7/2013 Bissett
 8,689,938 B2 4/2014 Kenton
 D706,452 S 6/2014 Laitta
 D712,068 S 8/2014 Wiggins

8,925,904 B2 * 1/2015 Christoffer E04G 21/3223
 256/65.14
 D725,288 S 3/2015 Lu
 D725,792 S * 3/2015 Cullen D25/38.1
 D733,925 S 7/2015 Collier
 D738,531 S 9/2015 Pruenete
 9,376,832 B2 6/2016 Deering
 9,403,486 B2 * 8/2016 May B60R 3/005
 D767,165 S 9/2016 Che
 D805,654 S 12/2017 Ziaylek
 D806,268 S 12/2017 Forte
 9,834,939 B1 12/2017 Deering
 9,890,590 B2 2/2018 Budziak
 RE47,041 E 9/2018 Laitta
 10,132,101 B1 * 11/2018 Hongthong E04H 17/18
 D880,003 S * 3/2020 Eberl D25/38.1
 2001/0006231 A1 7/2001 McCracken
 2003/0178614 A1 * 9/2003 Venegas, Jr. E01F 13/024
 256/65.1
 2003/0208965 A1 11/2003 Perkins
 2004/0104382 A1 6/2004 Collins
 2004/0206945 A1 * 10/2004 York, Jr. E01F 13/022
 256/24
 2006/0059636 A1 3/2006 Suggate
 2006/0113516 A1 6/2006 Higgs
 2006/0278472 A1 * 12/2006 Kenton E06B 11/00
 182/113
 2008/0006809 A1 * 1/2008 Stoffels E04G 21/3223
 256/67
 2008/0041662 A1 2/2008 Despres
 2010/0000167 A1 * 1/2010 Jirsa E01F 13/024
 52/223.1
 2010/0171085 A1 7/2010 Webster
 2011/0017968 A1 * 1/2011 Christoffer E01F 13/022
 256/65.14
 2013/0062585 A1 * 3/2013 Deering E04F 11/1865
 256/65.01
 2014/0166955 A1 6/2014 Kenton
 2014/0191172 A1 * 7/2014 Christoffer E04G 21/3223
 256/21
 2014/0217345 A1 8/2014 Stoffels
 2015/0041744 A1 2/2015 Higgs
 2015/0069313 A1 3/2015 Christoffer
 2015/0267437 A1 9/2015 Kenton
 2016/0237702 A1 * 8/2016 Micklan E04G 5/14
 2017/0152674 A1 6/2017 MacKarvich
 2017/0356203 A1 12/2017 Nagel
 2018/0016801 A1 1/2018 Davis
 2018/0127993 A1 5/2018 Baca
 2018/0328054 A1 11/2018 Black
 2018/0347217 A1 12/2018 Brogden
 2019/0040640 A1 2/2019 Rainville

OTHER PUBLICATIONS

Fall Protection Guard Rails <https://eberliron.com/category/RTS—Fall-Protection-Guard-Rail/1390.html> Oct. 24, 2016 (Year: 2016).*
 Toeboard—SY Toeboard For Guardrail Sections Safety Yellow Portable Guardrail <https://www.portableguardrail.com/product/toeboard-for-guardrail-sections-safety-yellow/> May 2018 (Year: 2018).*

* cited by examiner

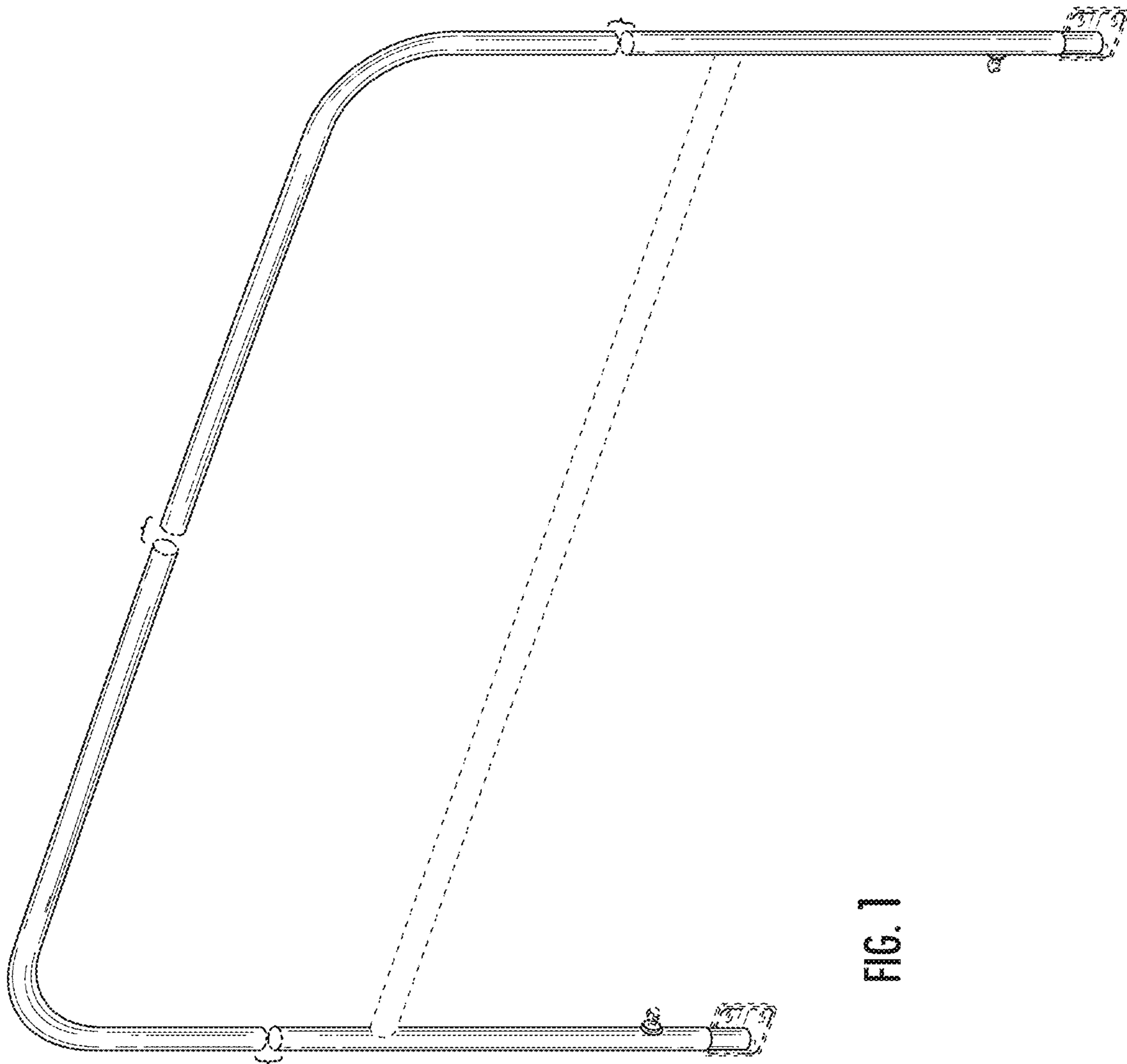


FIG. 1

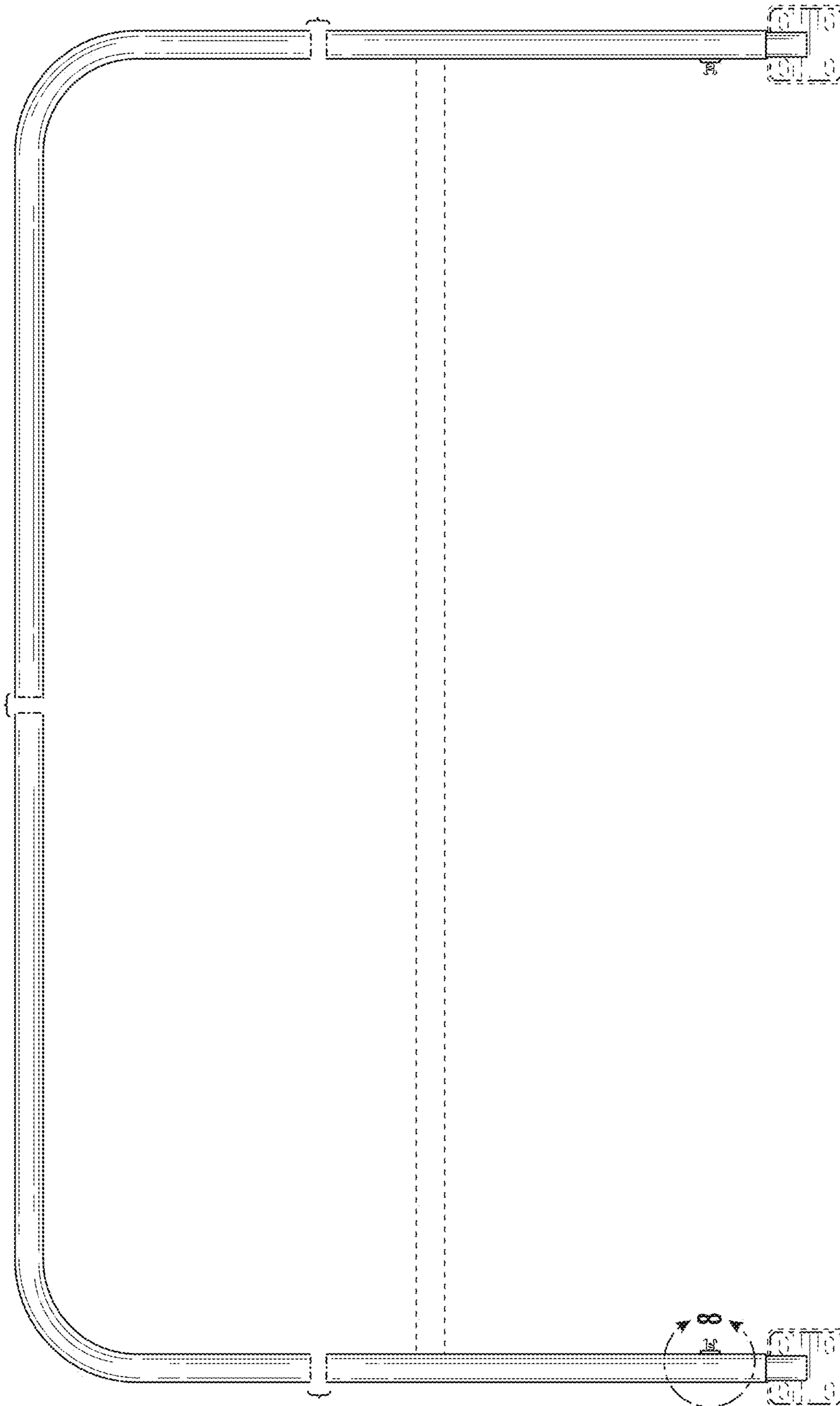


FIG. 2

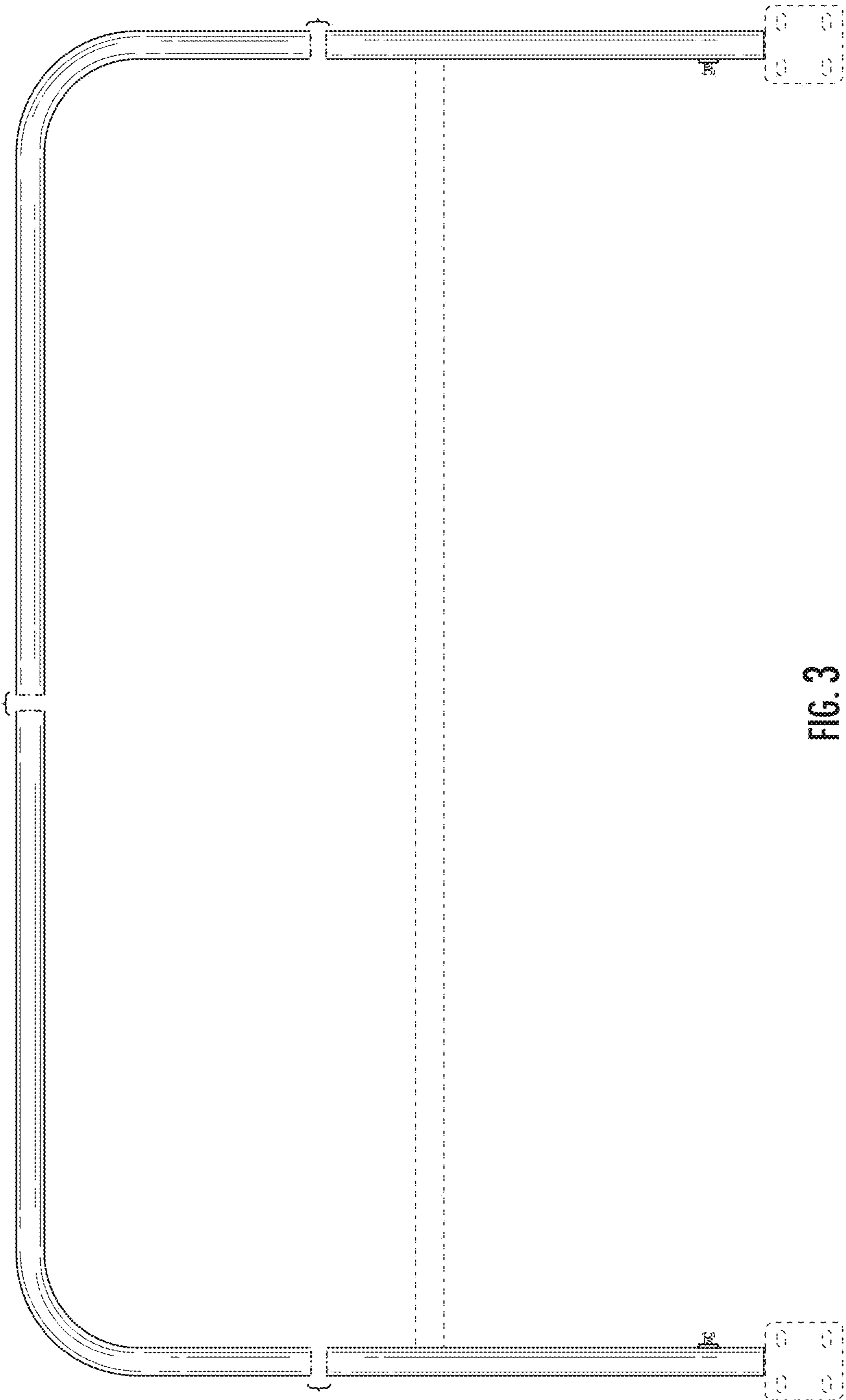


FIG. 3

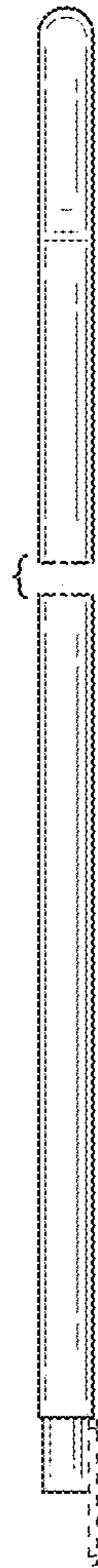


FIG. 4

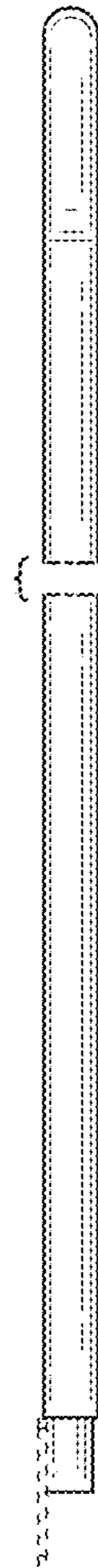


FIG. 5



FIG. 6

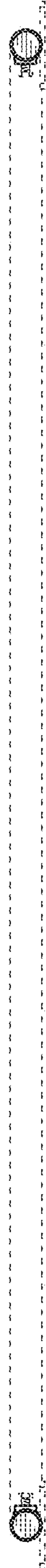


FIG. 7

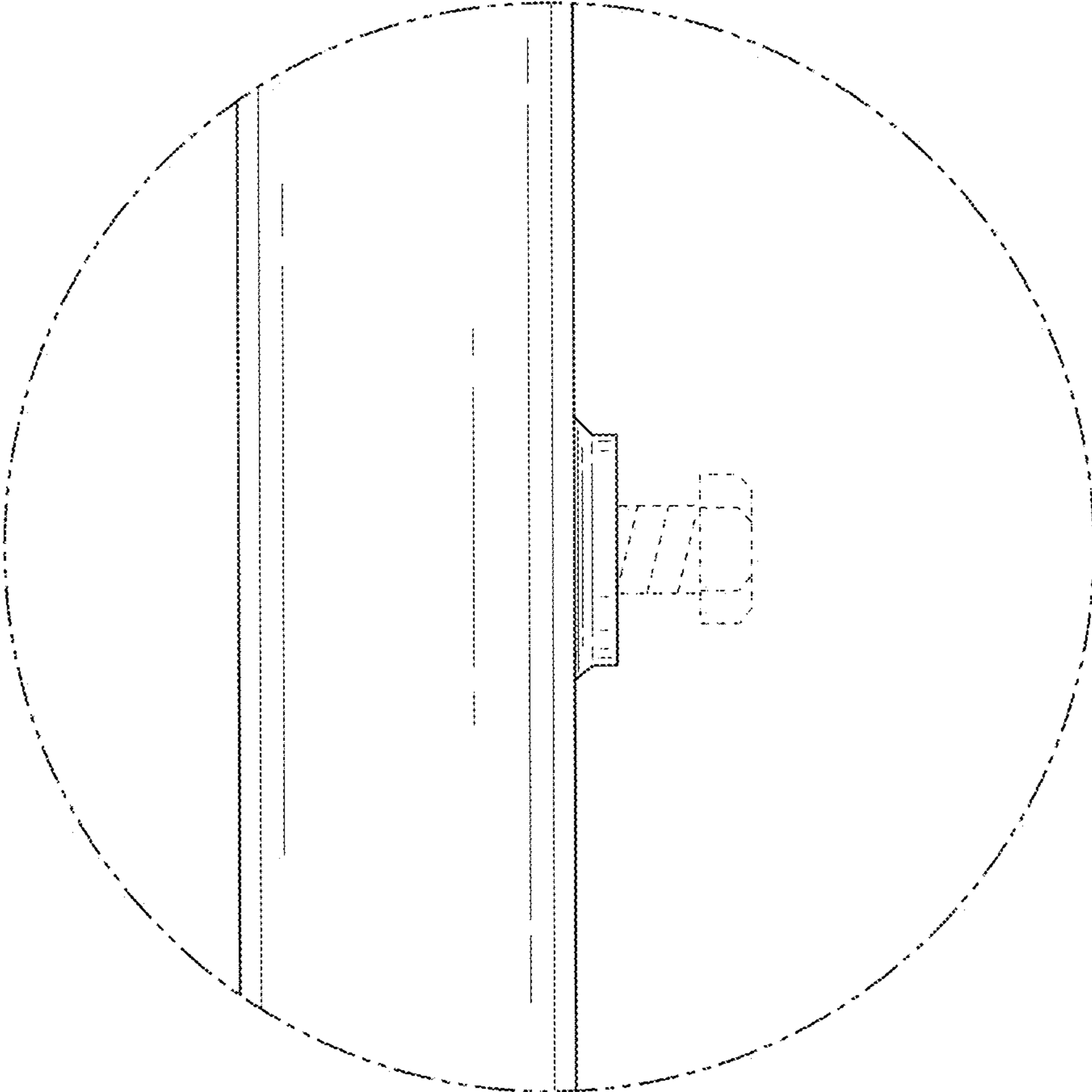


FIG. 8

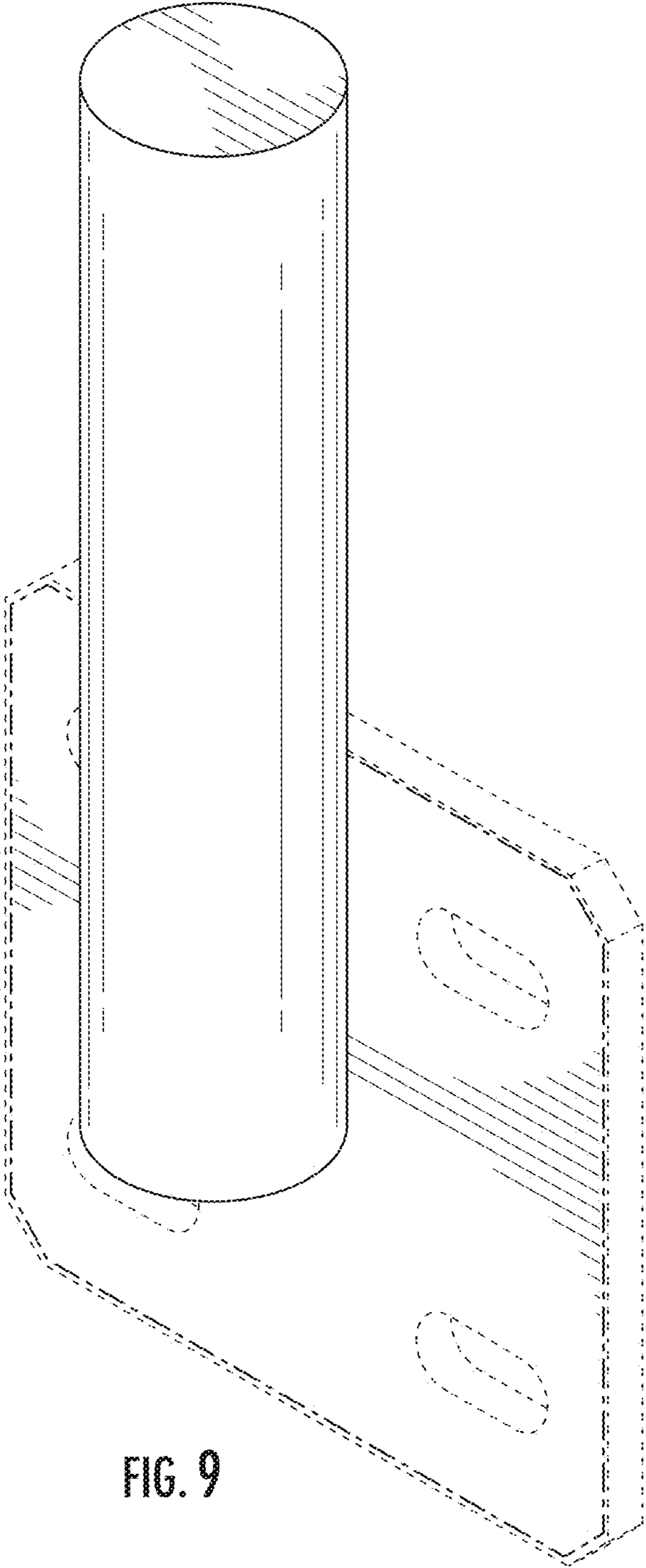


FIG. 9

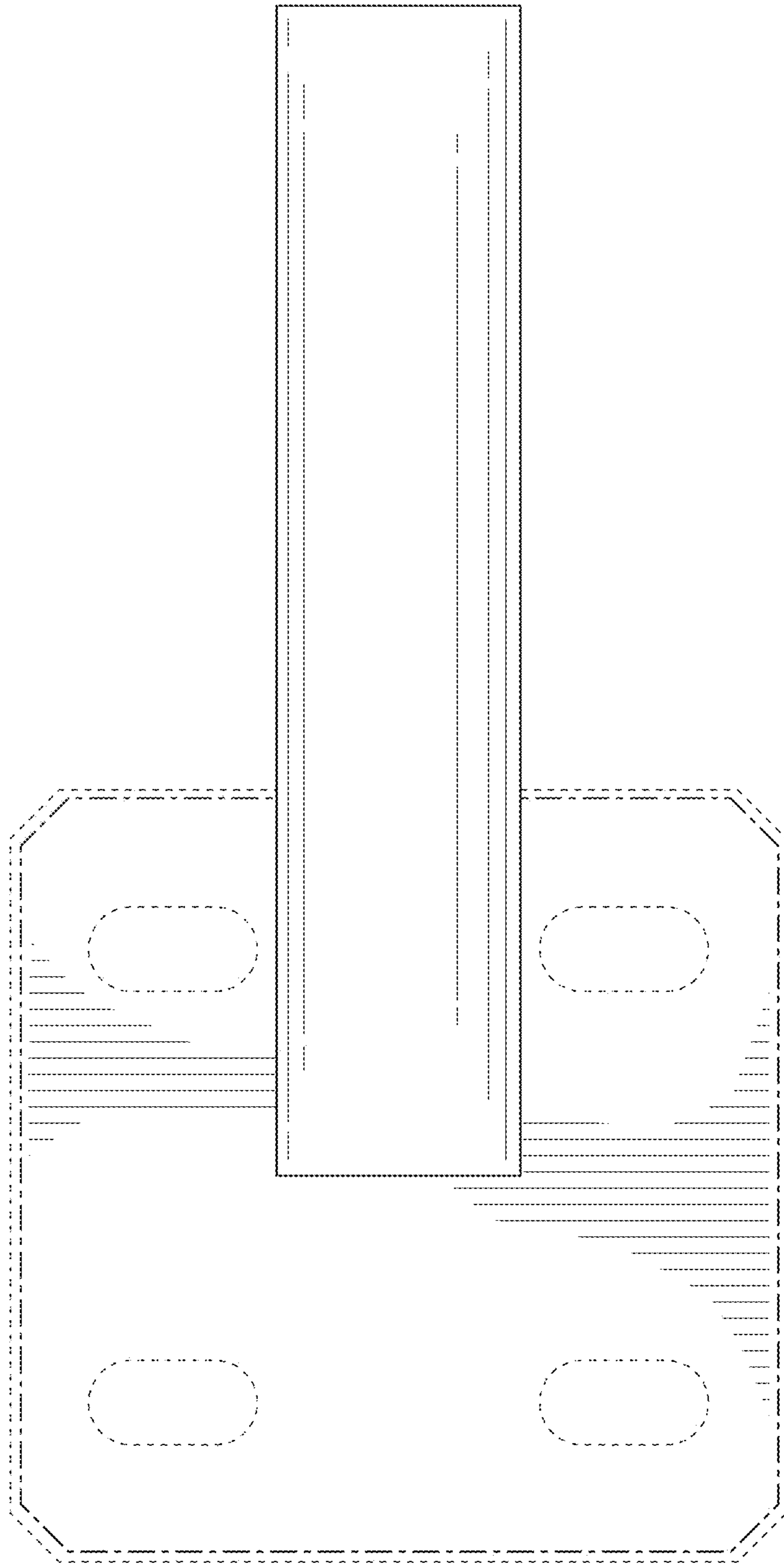


FIG. 10

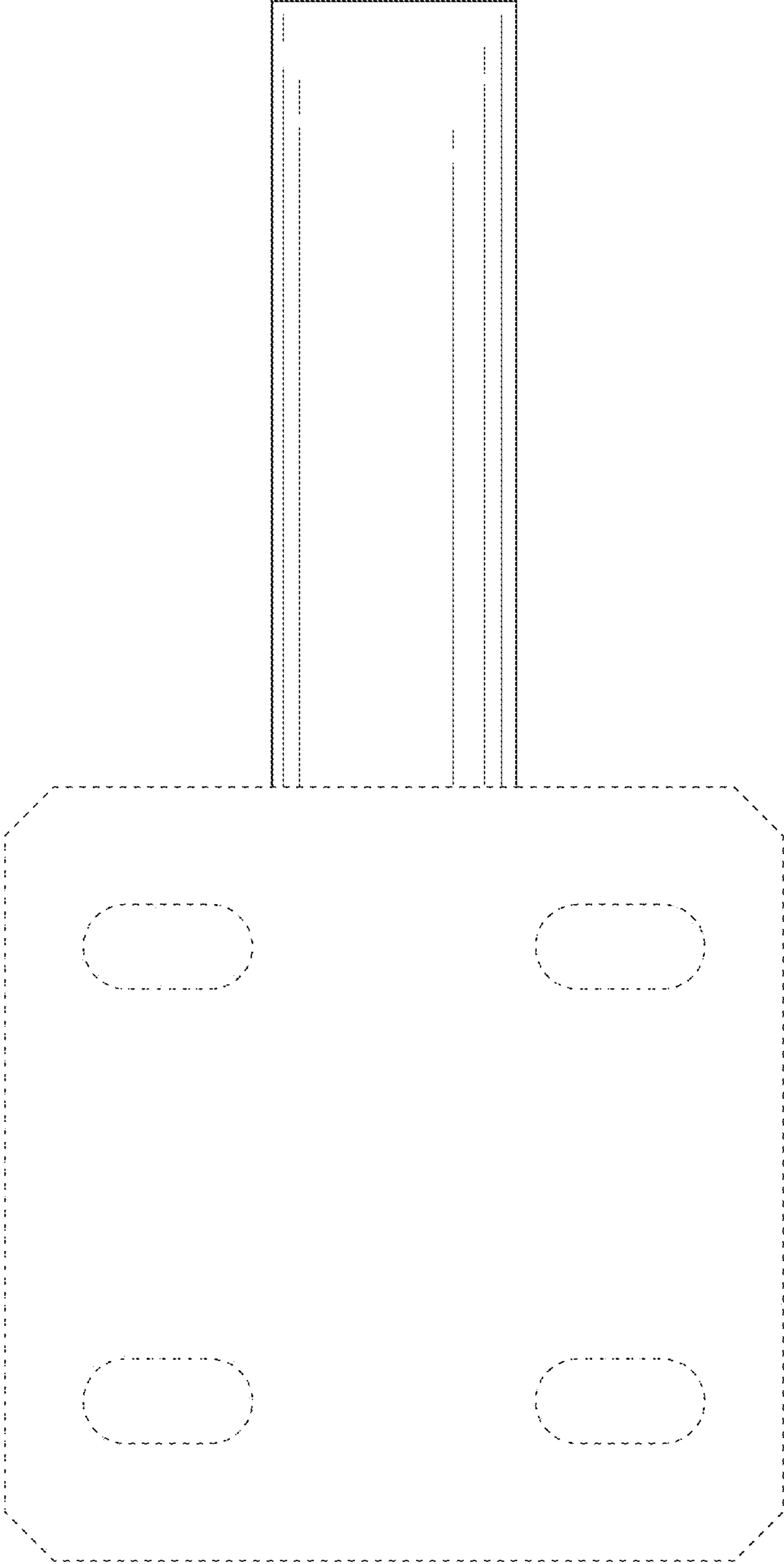


FIG. 11

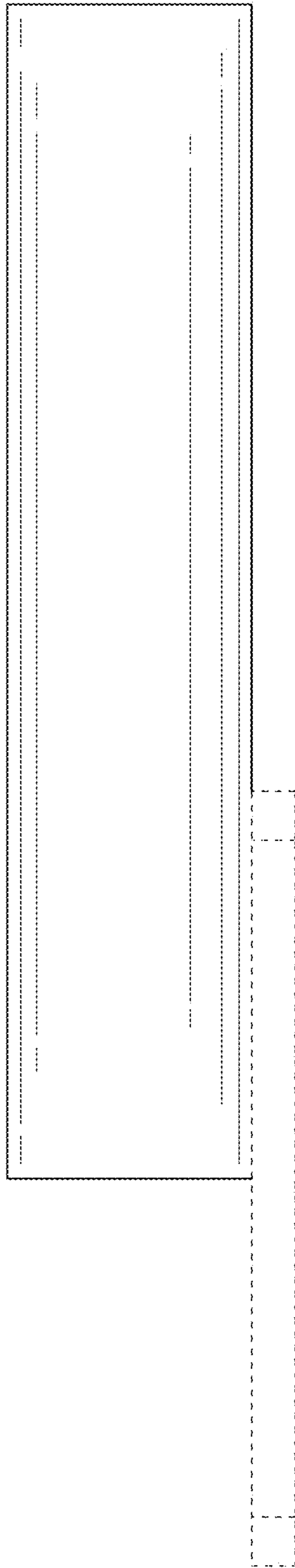


FIG. 12

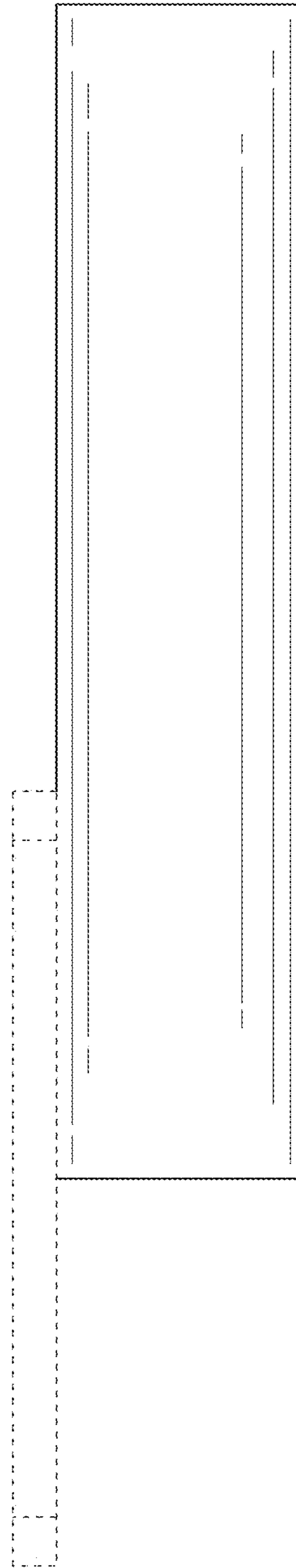


FIG. 13

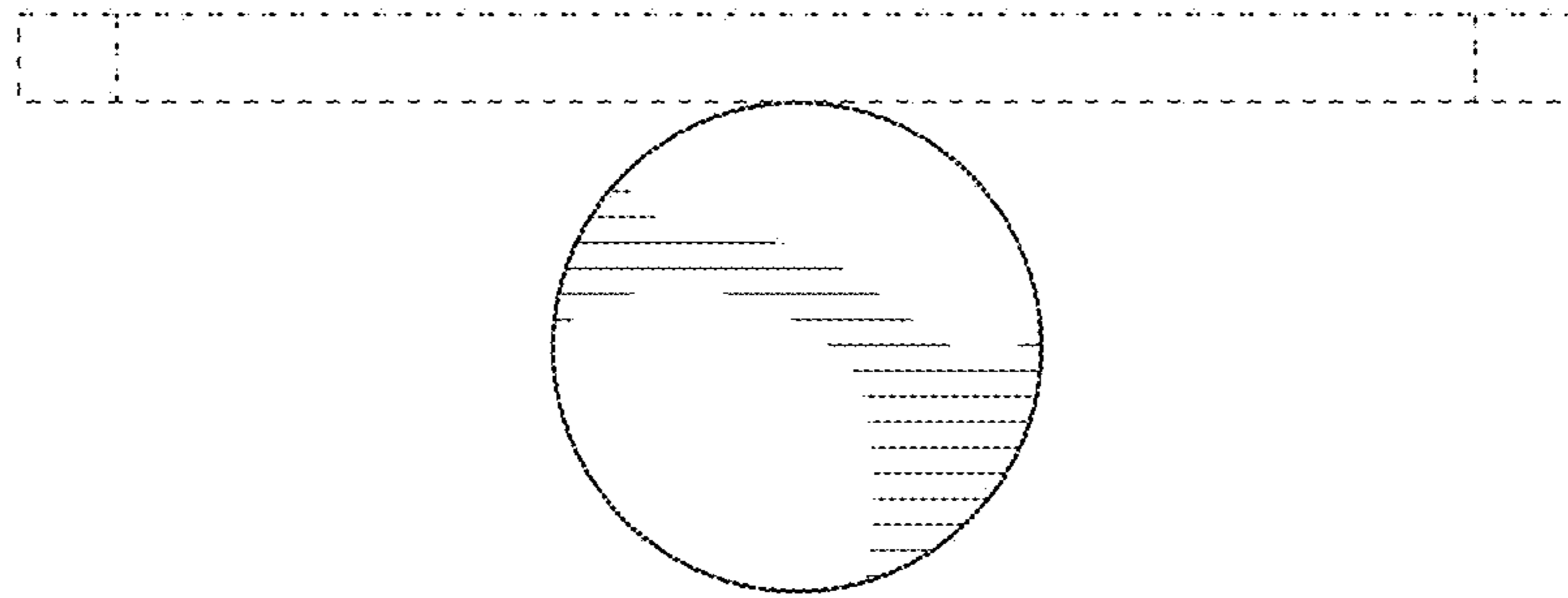


FIG. 14

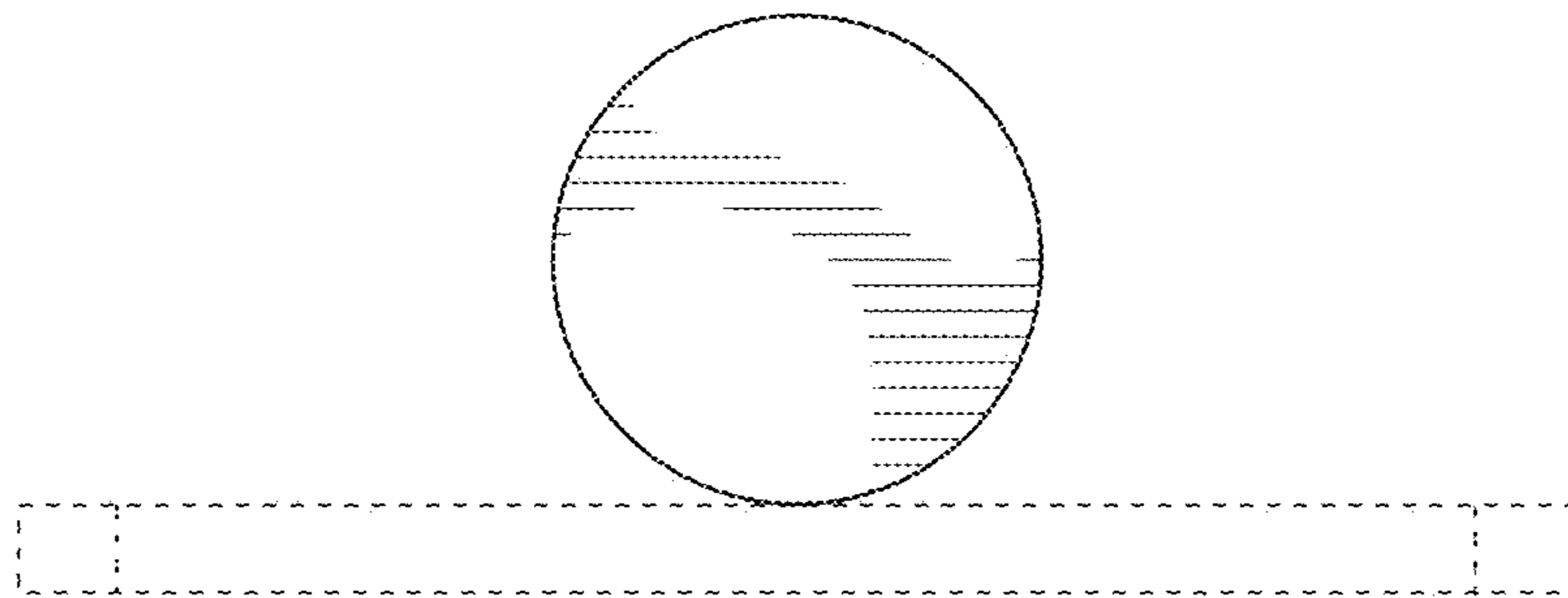


FIG. 15