



US00D932646S

(12) **United States Design Patent** (10) **Patent No.:** **US D932,646 S**
Sutton (45) **Date of Patent:** **** Oct. 5, 2021**

(54) **THERAPEUTIC SELF MASSAGE ROLLER**

(71) Applicant: **Daniel Sutton**, Surfside, FL (US)

(72) Inventor: **Daniel Sutton**, Surfside, FL (US)

(**) Term: **15 Years**

(21) Appl. No.: **29/717,165**

(22) Filed: **Dec. 16, 2019**

(51) **LOC (13) Cl.** **28-03**

(52) **U.S. Cl.**
USPC **D24/215**

(58) **Field of Classification Search**
USPC D24/200, 211, 212, 213, 214, 215
CPC A61H 15/00; A61H 2015/0014
See application file for complete search history.

(56) **References Cited**

U.S. PATENT DOCUMENTS

4,002,164	A *	1/1977	Bradley	A61H 21/00 601/135
D246,727	S *	12/1977	Holkesvick	D24/211
D258,687	S *	3/1981	Katsube	601/107
4,266,536	A *	5/1981	Casares	A61H 15/0092 601/119
D268,362	S *	3/1983	Wong	D21/399
D317,204	S *	5/1991	Henneseey	D24/211
D326,525	S *	5/1992	Shimizu	D24/200
D326,721	S *	6/1992	Ujifusa	D24/200
D336,959	S *	6/1993	Liming	D24/214
D340,527	S *	10/1993	Goodell	D11/40
D347,898	S *	6/1994	Belcher	D24/200
D351,658	S *	10/1994	Beckman	D24/133
D357,984	S *	5/1995	Heck	D24/211
D359,124	S *	6/1995	Rosenberg	D24/211
D402,764	S *	12/1998	Chatfield	D24/211
D403,431	S *	12/1998	Gladieux, Jr.	D24/215
5,862,564	A *	1/1999	Hamm	A47K 7/08 15/143.1
D405,536	S *	2/1999	Haynes	D24/214
D423,676	S *	4/2000	Lazio	D24/211
D436,181	S *	1/2001	Lazio	D24/214
D444,566	S *	7/2001	Thomas	D24/214

6,261,251	B1 *	7/2001	Meyers	A61H 7/001 601/134
D456,909	S *	5/2002	Szabo	D24/214
D461,009	S *	7/2002	Viner	D24/214
D539,915	S *	4/2007	Timmer	D24/214
D590,510	S *	4/2009	Johansen	D24/214
D646,794	S *	10/2011	Hennessey	D24/214
D669,591	S *	10/2012	Heininen	D24/214
D675,332	S *	1/2013	Tinder	D24/215
D689,620	S *	9/2013	Louis	D24/215

(Continued)

OTHER PUBLICATIONS

Amazon, "Massager Tool", Sep. 23, 2018. [*Primary Examiner* — Cynthia Ramirez](https://www.amazon.com/dp/B07RSCTV57/ref=sspa_dk_detail_?pd_rd_i=B07RSCTV57&pd_rd_w=t6dUV&pf_rd_p=45e679f6-d55f-4626-99ea-f1ec7720af94&pd_rd_wg=rAiti&pf_rd_r=JH4C3PYNMYZ1AHSPA2C&pd_rd_r=c7c543ab-1d47-4f39-bc5c-5531498fc2d7&spLa=ZW5jcnlwdGVkUXVhbGlmaWVyPU(Year: 2018).*</p></div>
<div data-bbox=)

Assistant Examiner — Michael A Maharajh

(74) *Attorney, Agent, or Firm* — Mark M. Friedman

(57) **CLAIM**

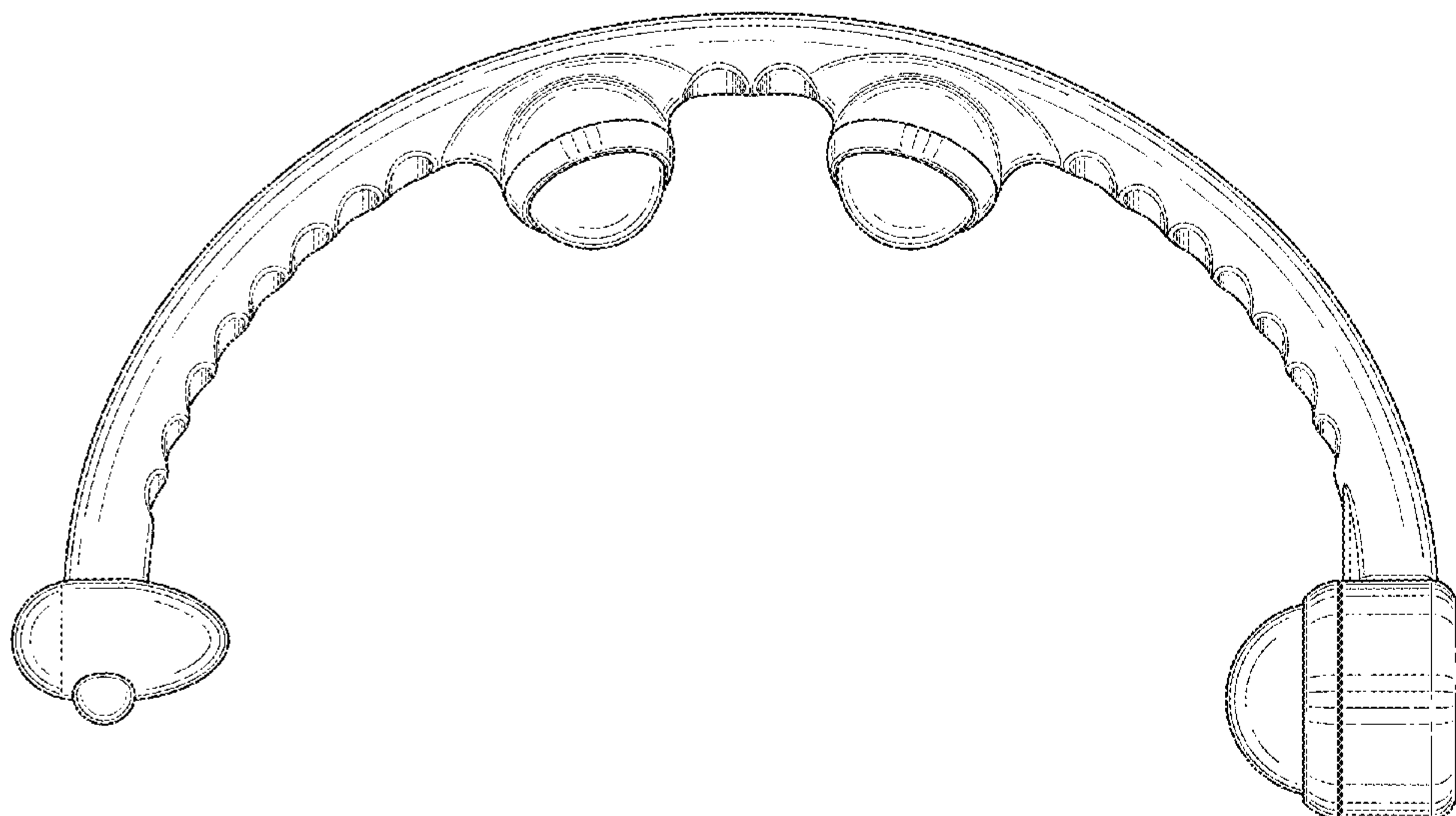
The ornamental design for a therapeutic self massage roller, as shown and described.

DESCRIPTION

FIG. 1 is a perspective front view of a therapeutic self massage roller showing my new design; FIG. 2 is a front view thereof; FIG. 3 is a rear view thereof; FIG. 4 is a left side view thereof; FIG. 5 is a right side view thereof; FIG. 6 is a top view thereof; and, FIG. 7 is a bottom view thereof.

The broken lines shown in the figures are for the purpose of illustrating portions of the therapeutic self massage roller, which form no part of the claimed design.

1 Claim, 7 Drawing Sheets



(56)

References Cited

U.S. PATENT DOCUMENTS

D690,431 S * 9/2013 Nohr D24/215
D698,936 S * 2/2014 Pudhnum D24/215
D722,174 S * 2/2015 Almarales D24/214
D722,176 S * 2/2015 Gutman D24/215
D742,534 S * 11/2015 Bains D24/214
D743,043 S * 11/2015 Cao D24/215
D750,796 S * 3/2016 Bains D24/214
D765,872 S * 9/2016 Blaskovich D24/214
D767,157 S * 9/2016 Yu D24/215
D768,307 S * 10/2016 Hetzel D24/214
D769,454 S * 10/2016 Hong D24/215
D773,682 S * 12/2016 Faussett A61H 15/0092
D24/214
D802,782 S * 11/2017 Cross D24/211
D883,507 S * 5/2020 Yamada D24/215
D905,263 S * 12/2020 Paczewski D24/215
2003/0009116 A1 * 1/2003 Luetgen A61H 19/50
601/46
2012/0259257 A1 * 10/2012 Nelson A61H 39/04
601/119
2013/0023807 A1 * 1/2013 Hennessey A61H 7/003
601/119
2014/0088469 A1 * 3/2014 Wise A61H 19/40
601/46
2014/0350445 A1 * 11/2014 Lok A61H 7/007
601/137
2016/0166462 A1 * 6/2016 Conder A61H 39/04
601/84
2017/0273855 A1 * 9/2017 Liu A61H 7/003

* cited by examiner

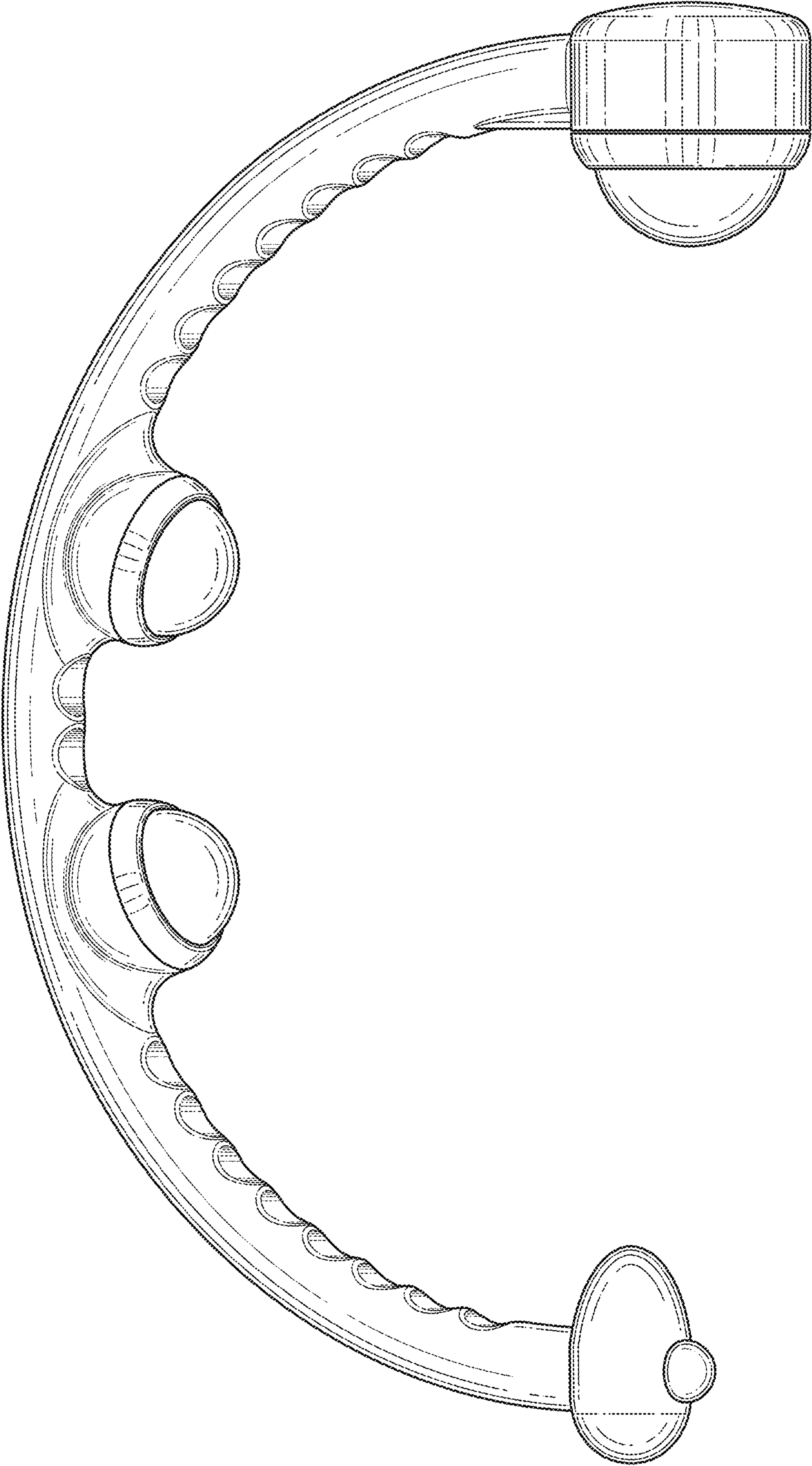


FIG. 1

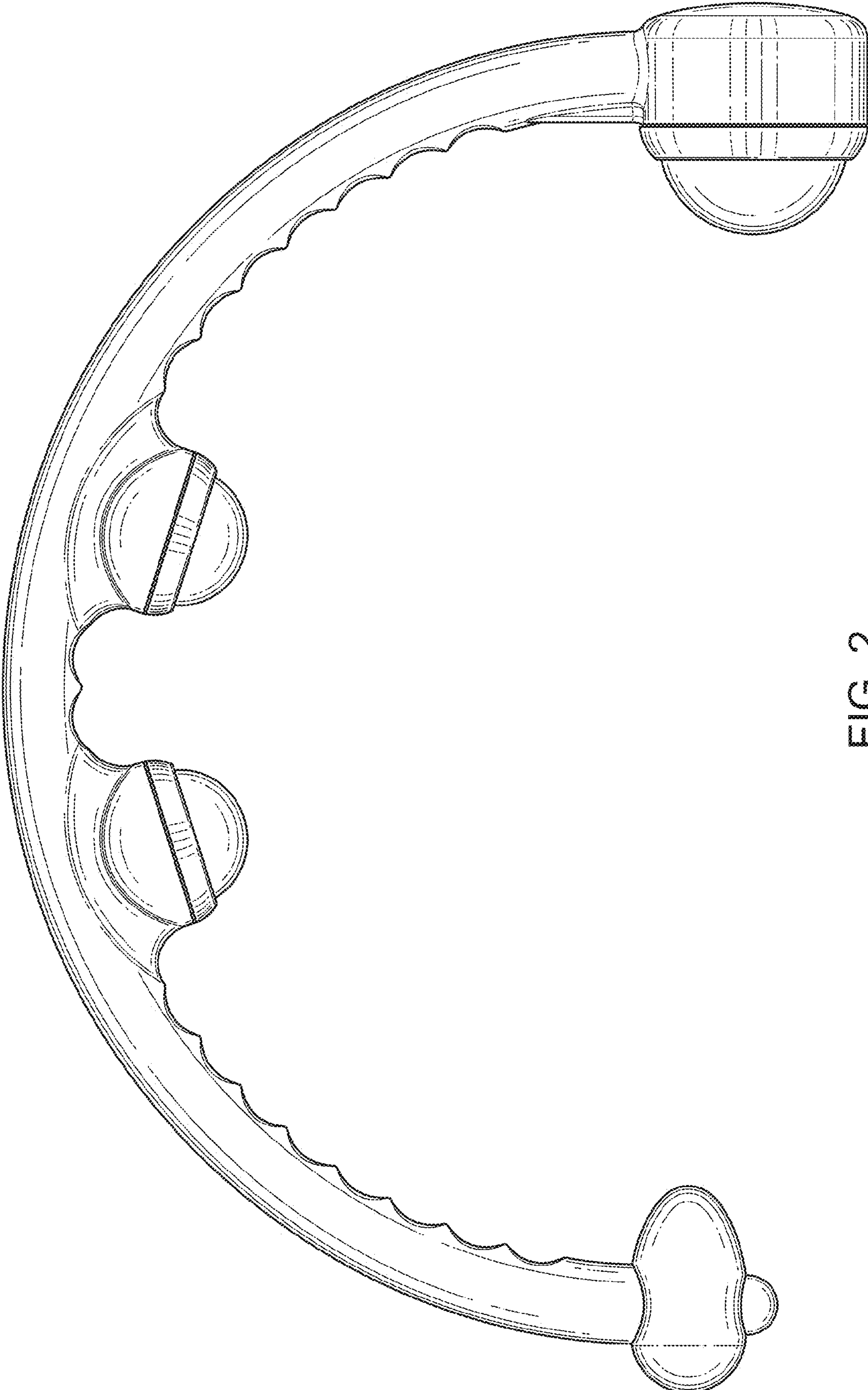


FIG. 2

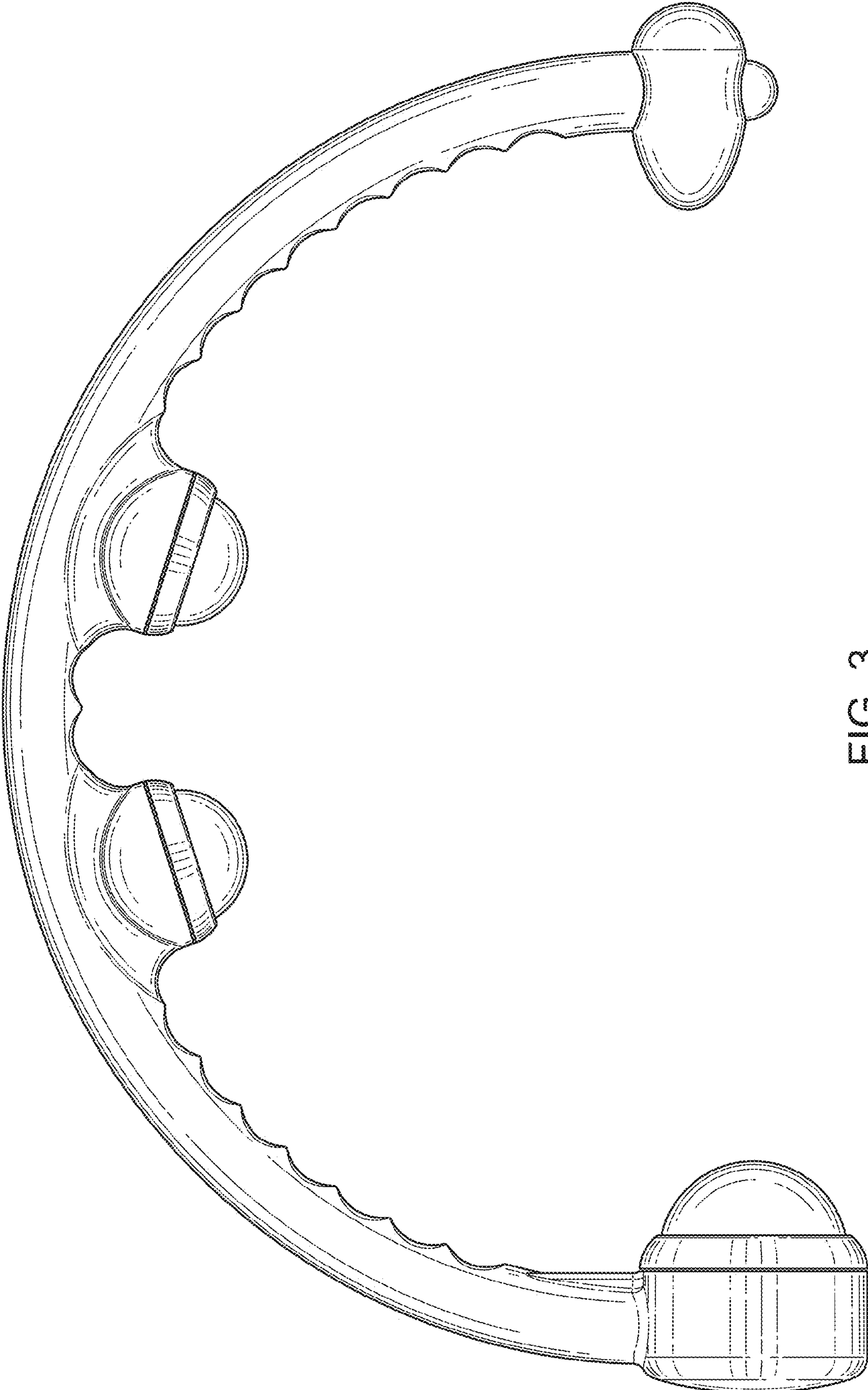


FIG. 3

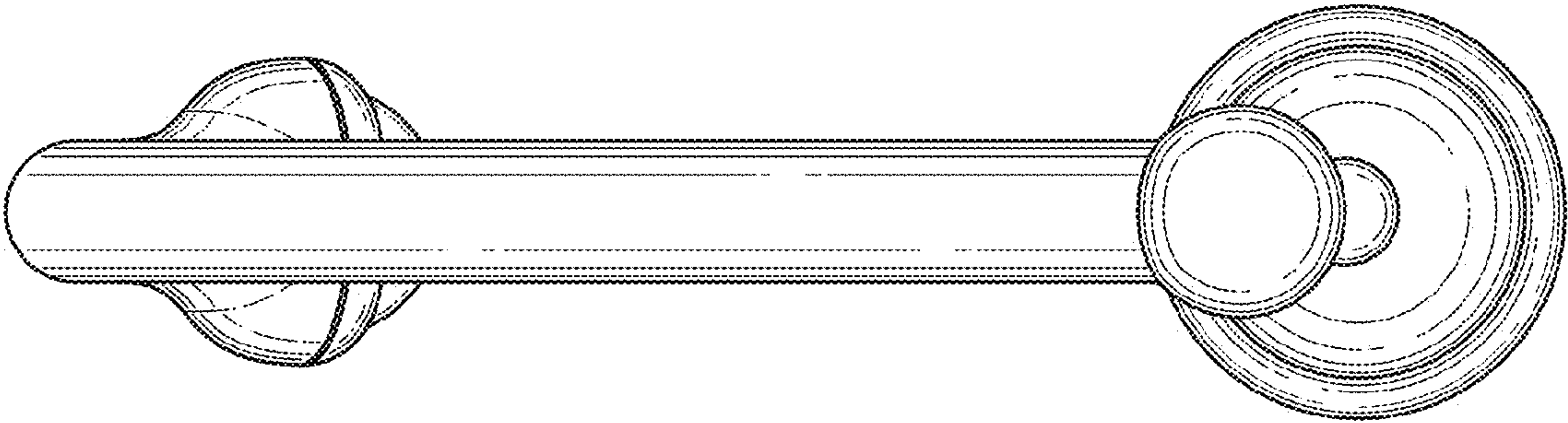


FIG. 4

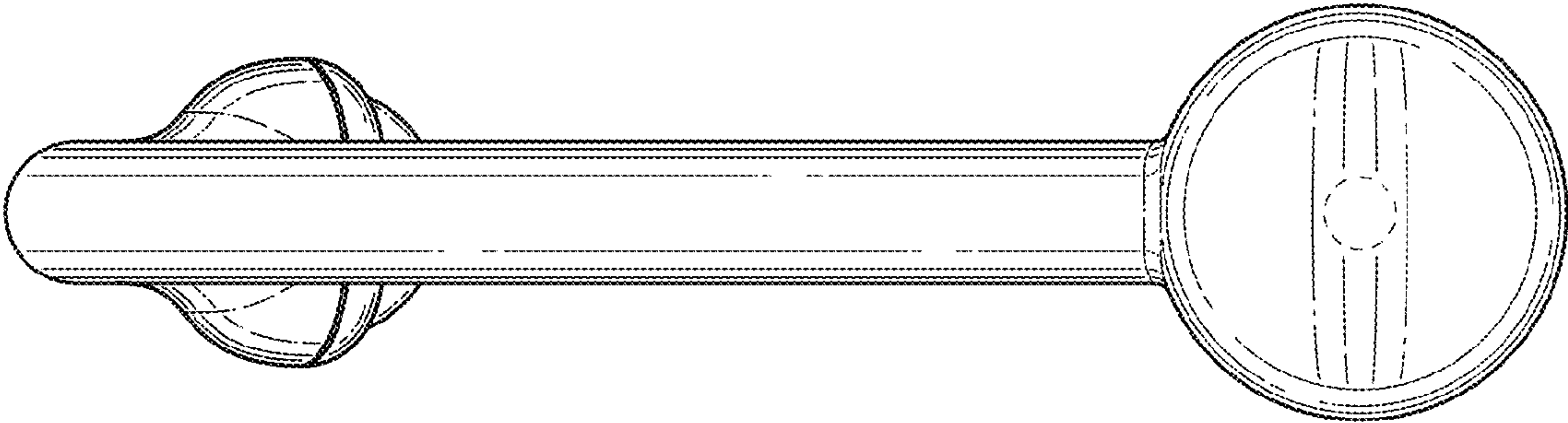


FIG. 5

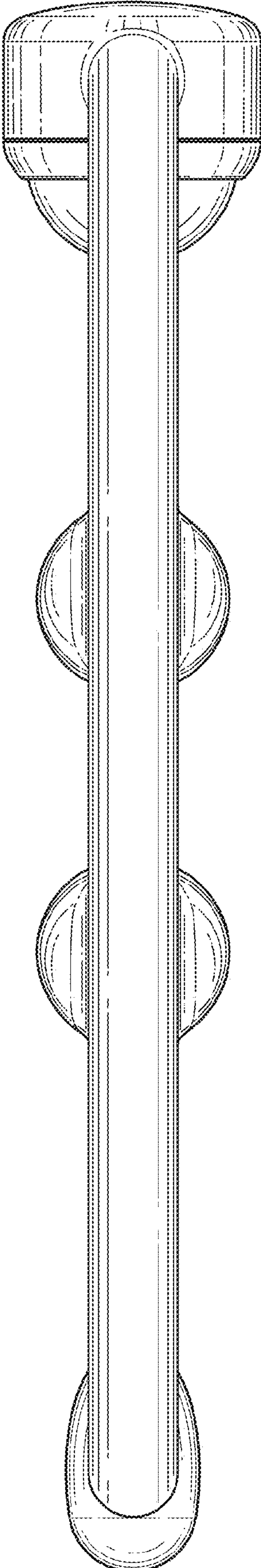


FIG. 6

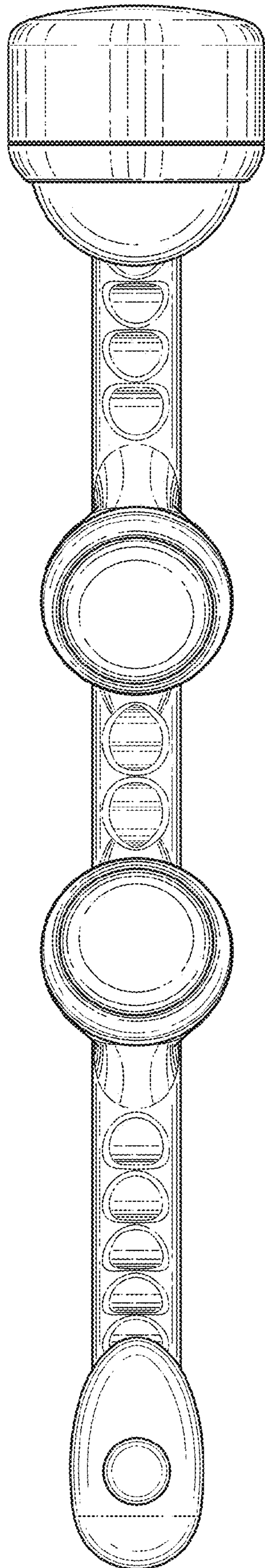


FIG. 7