



US00D932645S

(12) **United States Design Patent** (10) **Patent No.:** **US D932,645 S**
Wu (45) **Date of Patent:** **** *Oct. 5, 2021**

(54) **TONGUE AIRCRAFT CUP**
(71) Applicant: **Shenzhen Vincent Industrial Co., LTD.**, Shenzhen (CN)
(72) Inventor: **Chengfeng Wu**, Shenzhen (CN)
(73) Assignee: **Shenzhen Vincent Industrial Co., LTD.**, Shenzhen (CN)

D555,796 S * 11/2007 Kawaguchi D24/214
D591,589 S * 5/2009 Myers D7/615
D592,046 S * 5/2009 Myers D7/615
D596,744 S * 7/2009 Hull, Jr. D24/133
D631,973 S * 2/2011 Imboden D24/215
D652,527 S * 1/2012 Marshall D24/215
D652,945 S * 1/2012 Chen D24/215
D695,414 S * 12/2013 Matsuura D24/215
D712,564 S * 9/2014 Nan D24/215
D736,400 S * 8/2015 Matsuura D24/215
D736,401 S * 8/2015 Matsuura D24/215
D837,996 S * 1/2019 Sugimoto D24/215

(*) Notice: This patent is subject to a terminal disclaimer.
(**) Term: **15 Years**

(Continued)

(21) Appl. No.: **29/671,313**
(22) Filed: **Nov. 26, 2018**

OTHER PUBLICATIONS

Amazon, "Vibrating Tongue Aircraft Cup", May 15, 2020. <https://www.amazon.com/Vibrating-Aircraft-Realistic-Vaginal-Masturbation/dp/B07X8XJHRF>. Shown on p. 1. (Year: 2020).*

(Continued)

(30) **Foreign Application Priority Data**
Sep. 25, 2018 (CN) 201830537544.0

Primary Examiner — Cynthia Ramirez
Assistant Examiner — Michael A Maharajh
(74) *Attorney, Agent, or Firm* — Dragon Sun Law Firm, PC; Jinggao Li, Esq.

(51) **LOC (13) Cl.** **28-03**
(52) **U.S. Cl.**
USPC **D24/215**
(58) **Field of Classification Search**
USPC D24/133, 186, 211, 212, 213, 214, 215;
D9/418
CPC A61H 19/32; A61H 19/00; A61H 19/44;
A61B 10/0058; A61B 5/4393
See application file for complete search history.

(57) **CLAIM**

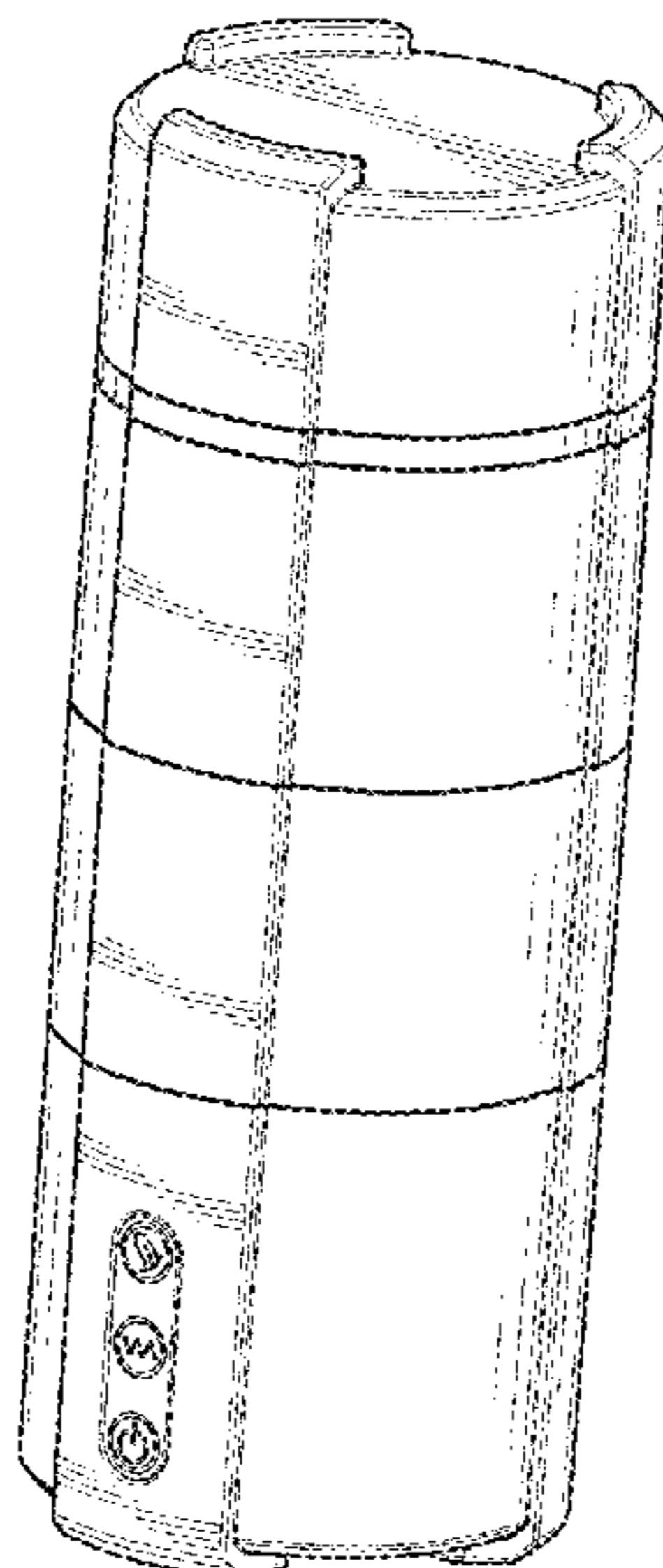
The ornamental design for a tongue aircraft cup, as shown and described.

DESCRIPTION

FIG. 1 is a front perspective view of a tongue aircraft cup showing my new design;
FIG. 2 is a front view thereof;
FIG. 3 is a rear view thereof;
FIG. 4 is a side view thereof;
FIG. 5 is a top view thereof; and,
FIG. 6 is a bottom view thereof.
The broken lines in the drawings illustrate portions of the tongue aircraft cup and form no part of the claimed design.

(56) **References Cited**
U.S. PATENT DOCUMENTS
D244,259 S * 5/1977 Bergstein D9/418
D368,140 S * 3/1996 Hopper D24/215
5,782,818 A * 7/1998 Shubin A61B 10/0058
600/38
D400,262 S * 10/1998 Hirakawa D24/215
D429,819 S * 8/2000 Coolidge D24/110
D488,232 S * 4/2004 Nan D24/215
D523,152 S * 6/2006 Telford D24/215

1 Claim, 6 Drawing Sheets



(56)

References Cited

U.S. PATENT DOCUMENTS

D842,490 S * 3/2019 Gan D24/215
 D843,592 S * 3/2019 Tsuyama D24/215
 D871,591 S * 12/2019 Lauronen D24/188
 D879,988 S * 3/2020 Zhou D24/215
 D880,713 S * 4/2020 Sedic D24/215
 D882,106 S * 4/2020 Qiu D24/215
 D882,812 S * 4/2020 Lee D24/215
 D882,814 S * 4/2020 Lee D24/215
 D882,815 S * 4/2020 Dumler D24/215
 2013/0172785 A1 * 7/2013 Rosenblum A61B 5/4375
 600/587
 2016/0015595 A1 * 1/2016 Blenk A61H 23/02
 601/70
 2016/0136035 A1 * 5/2016 Abramovitz A61H 19/32
 601/136
 2017/0071818 A1 * 3/2017 Chen A61H 19/32

2017/0231801 A1 * 8/2017 Matsuura A61B 10/0058
 600/38
 2017/0296425 A1 * 10/2017 Duan A61H 23/0263
 2017/0367924 A1 * 12/2017 Nan A61H 23/00
 2018/0092798 A1 * 4/2018 Shao A61H 19/32
 2018/0353208 A1 * 12/2018 Schenk A61B 10/0058
 2020/0046599 A1 * 2/2020 Sedic A61F 5/41
 2020/0069509 A1 * 3/2020 Frana A61H 19/32
 2020/0093685 A1 * 3/2020 Luke A61H 19/44

OTHER PUBLICATIONS

Joom, "Male Masturbation Device Aircraft Cup", May 15, 2020.
<https://www.joom.com/en/products/5d44e32b36b54d010192693d>.
 Shown on p. 1. (Year: 2020).*
 Youtube, "Flicking Tongue Masturbator", Dec. 28, 2019. <https://www.youtube.com/watch?v=hZBLsX-ovtM>. Shown at the 09: 12
 minute mark. (Year: 2019).*

* cited by examiner

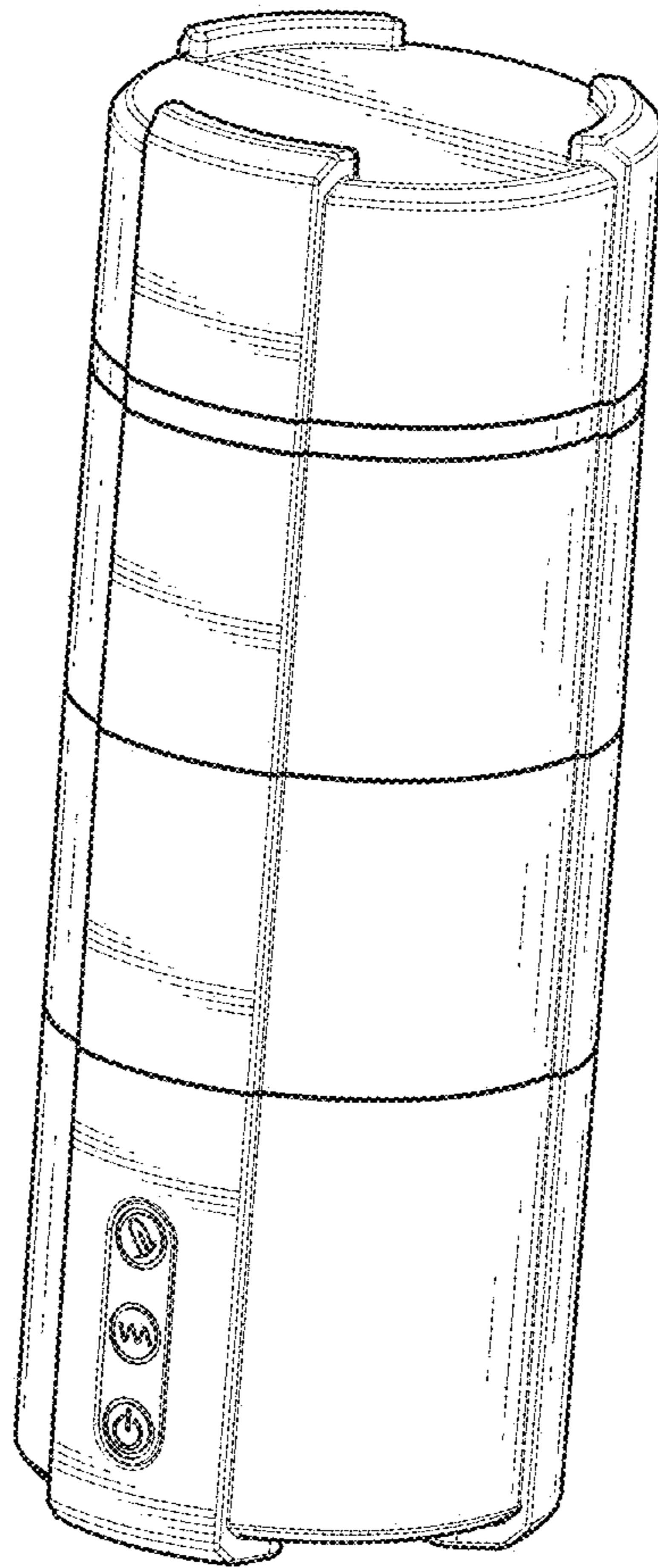


FIG. 1

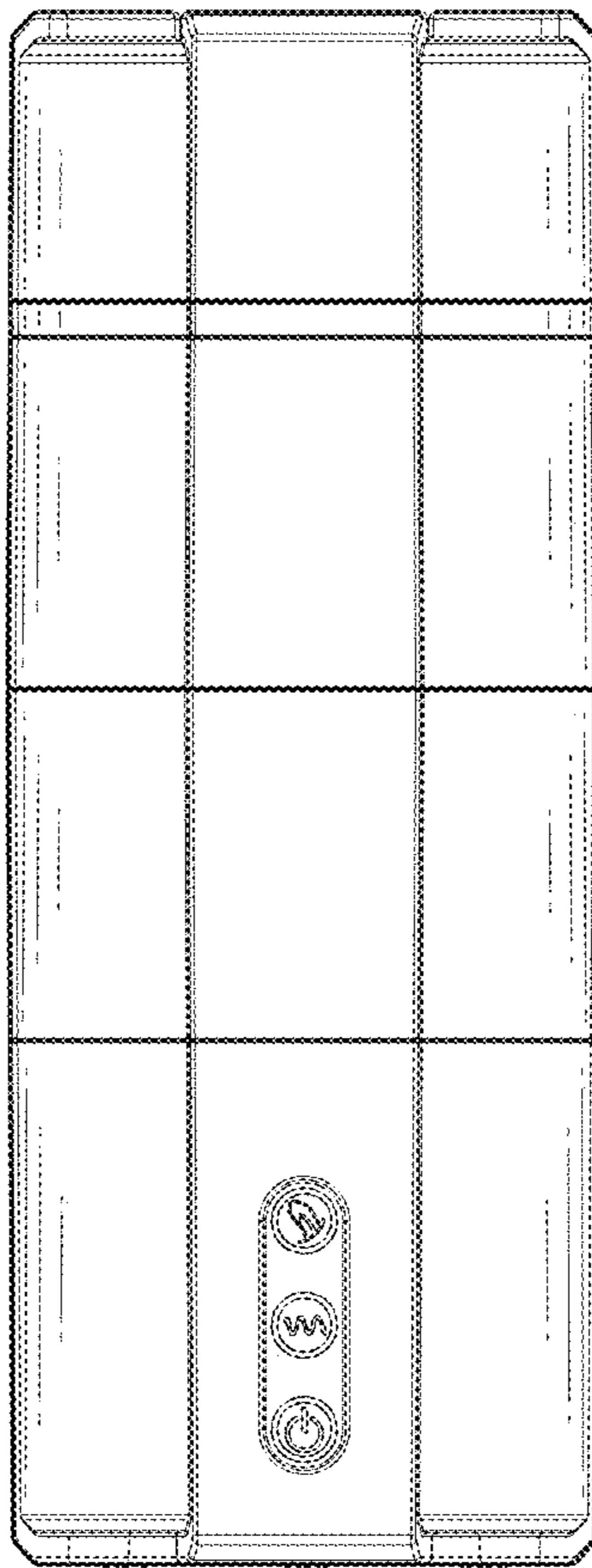


FIG. 2

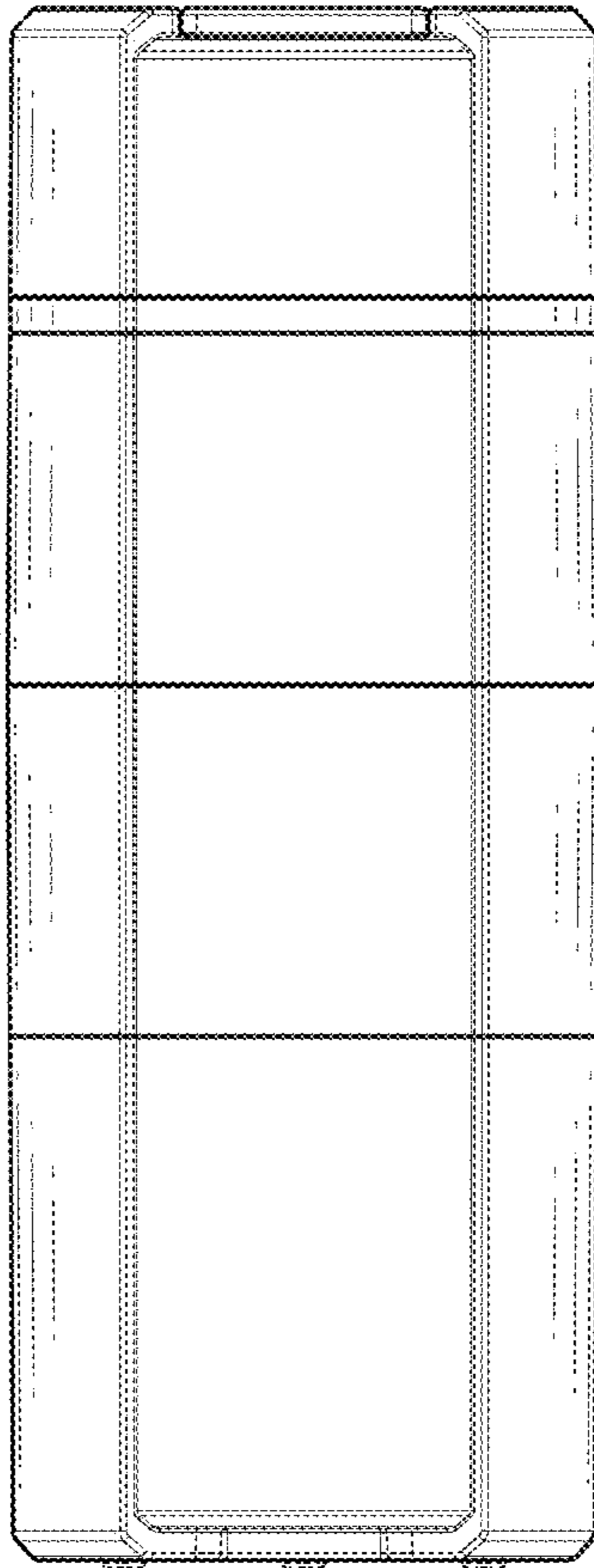


FIG. 3

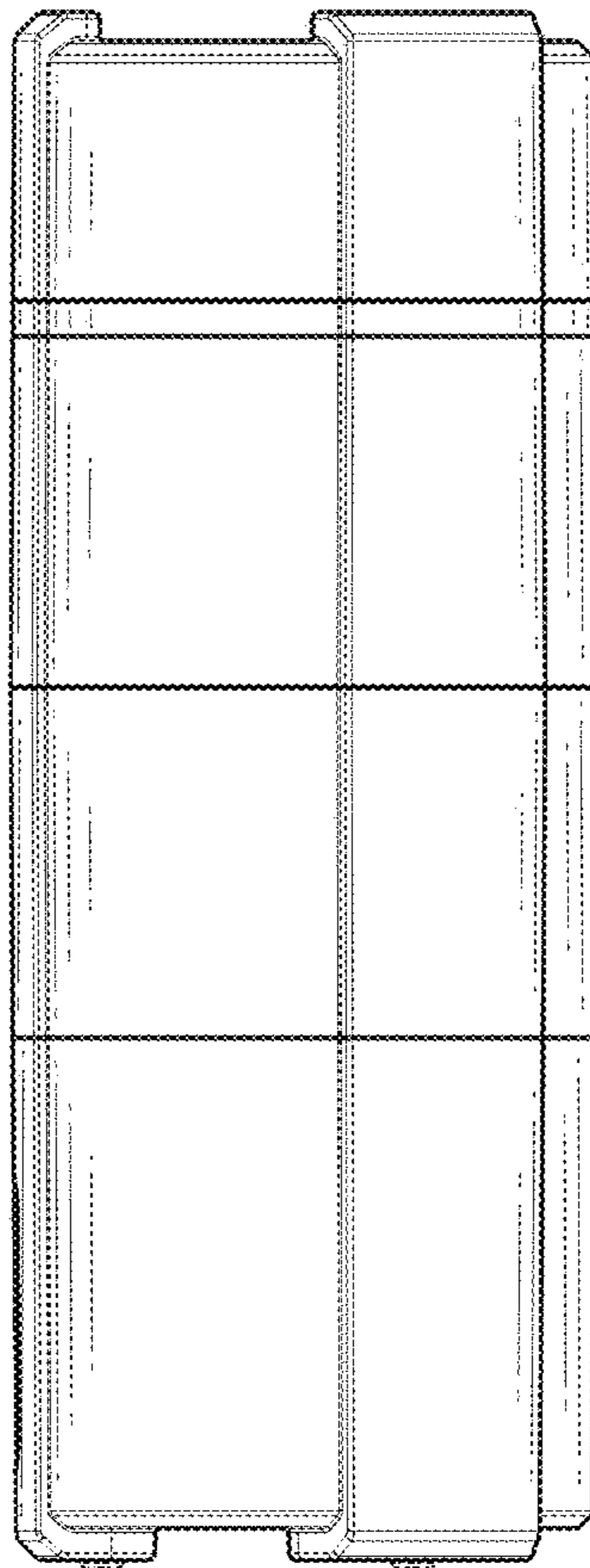


FIG. 4

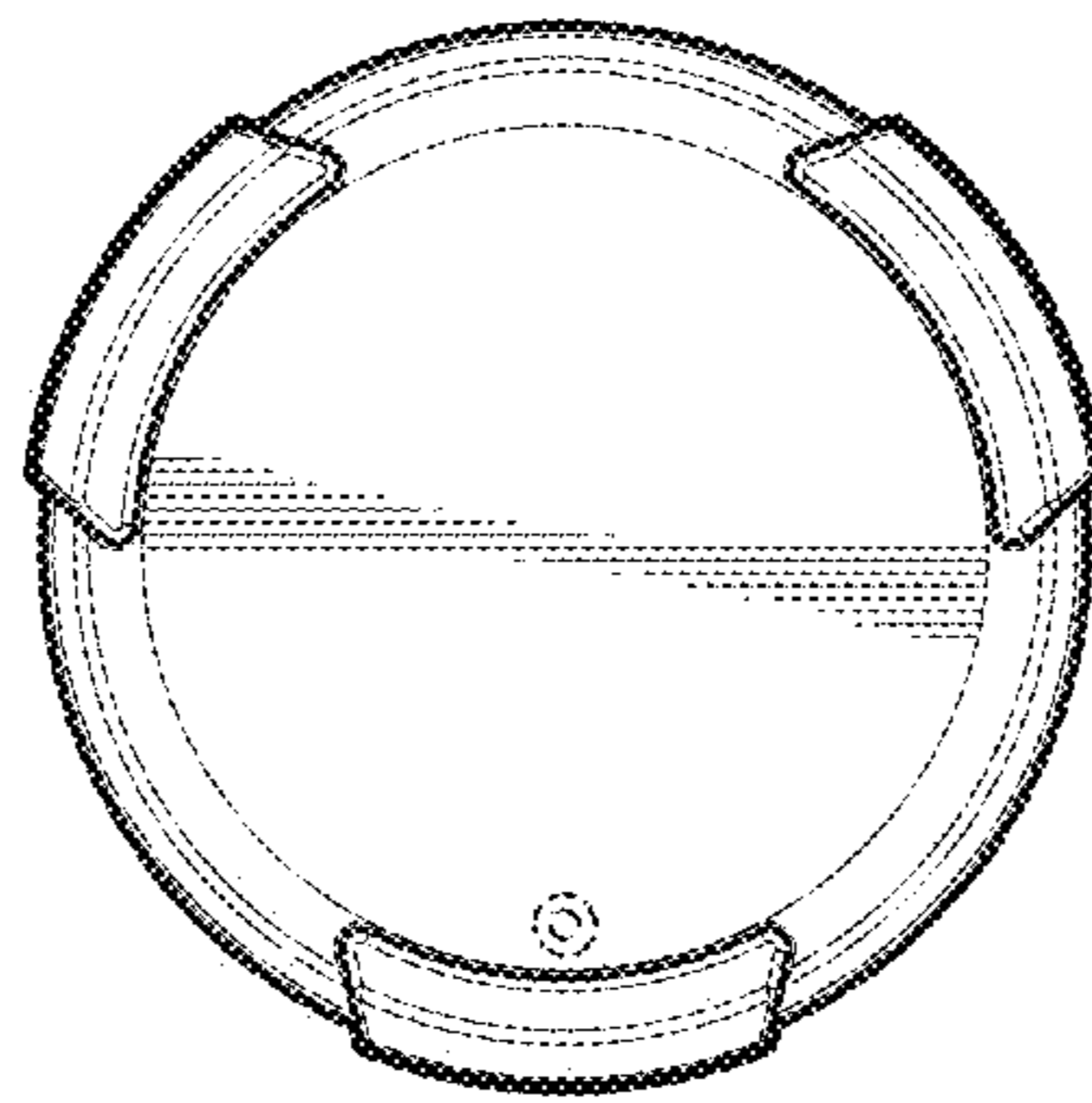


FIG. 5

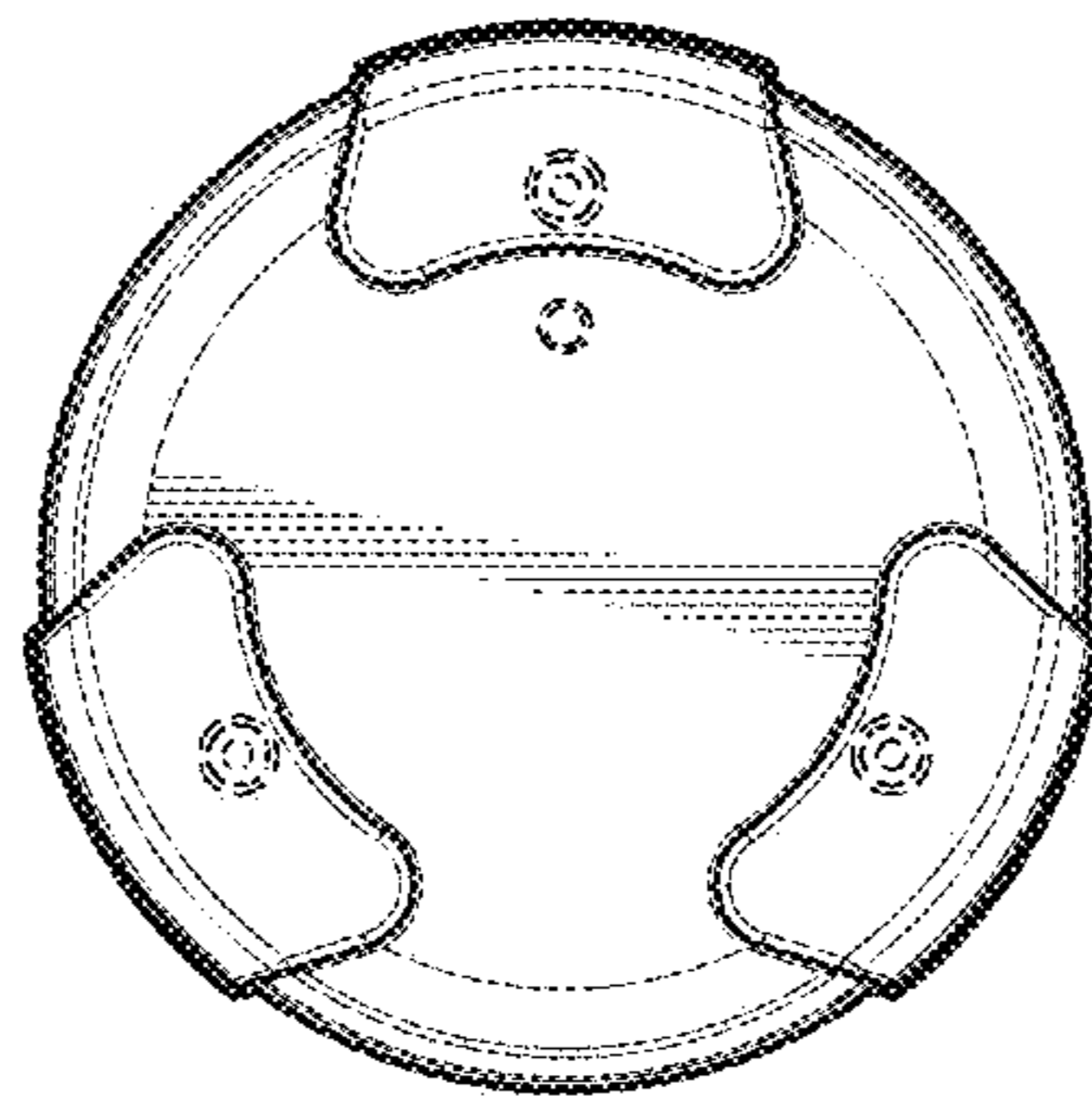


FIG. 6