



US00D932642S

(12) **United States Design Patent** (10) **Patent No.:** **US D932,642 S**
Fleming (45) **Date of Patent:** **** Oct. 5, 2021**

(54) **THERAPEUTIC DEVICE FOR LOCALIZED HEADACHE AND PAIN TREATMENT**

D875,268 S * 2/2020 Smith D24/215
D880,766 S * 4/2020 Chiu D28/7
D886,316 S * 6/2020 Fleming D24/215
2008/0109960 A1 5/2008 Brown et al.

(71) Applicant: **David S. Fleming**, Boca Raton, FL (US)

(Continued)

(72) Inventor: **David S. Fleming**, Boca Raton, FL (US)

OTHER PUBLICATIONS

(**) Term: **15 Years**

Hiren, "Most Important Acupressure Points for Headache and Migraine," Acupressure Points Guide, 2014.

(Continued)

(21) Appl. No.: **29/690,644**

Primary Examiner — Cynthia Ramirez

Assistant Examiner — Michael A Maharajh

(22) Filed: **May 9, 2019**

(74) *Attorney, Agent, or Firm* — Pillsbury Winthrop Shaw Pittman LLP

Related U.S. Application Data

(62) Division of application No. 29/574,501, filed on Aug. 16, 2016, now Pat. No. Des. 853,575.

(57) **CLAIM**

(51) **LOC (13) Cl.** **28-03**

The ornamental design for a therapeutic device for localized headache and pain treatment, as shown and described.

(52) **U.S. Cl.**
USPC **D24/211**

DESCRIPTION

(58) **Field of Classification Search**
USPC D24/188, 191, 200, 211, 212, 213, 214, D24/215; D28/7
CPC A61H 7/007; A61H 1/008; A61H 23/006; A61H 39/04; A61H 2201/1604
See application file for complete search history.

FIG. 1 is a perspective view of a therapeutic device for localized headache and pain treatment, showing my new design;

FIG. 2 is a front view thereof;

FIG. 3 is a left view thereof;

FIG. 4 is a right view thereof;

FIG. 5 is a back view thereof;

FIG. 6 is a top view thereof;

FIG. 7 is a bottom view thereof; and,

FIG. 8 is a side view thereof in a configuration use.

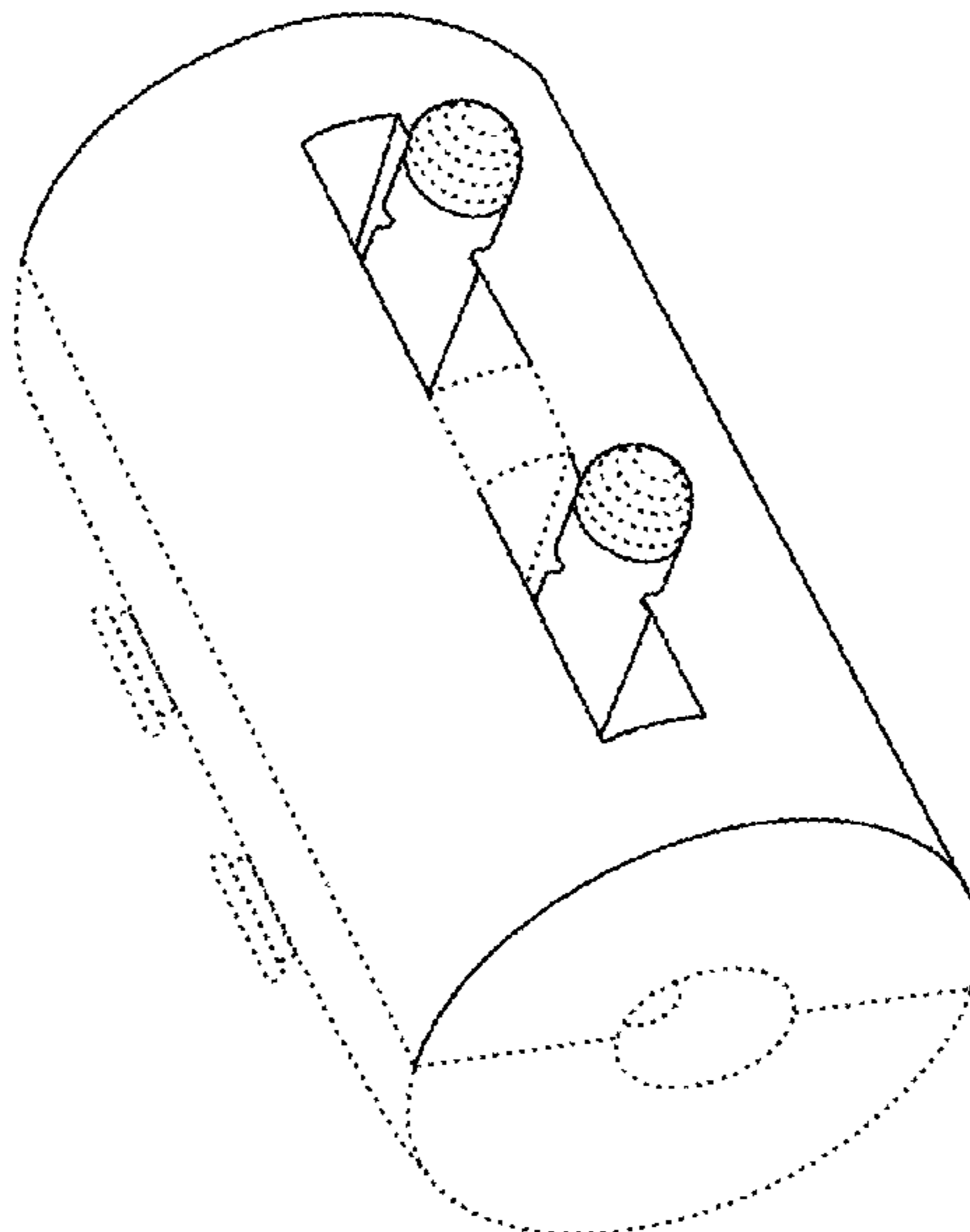
The broken lines in the drawings are for the purpose of illustrating portions of the therapeutic device for localized headache and pain treatment, which form no part of the claimed design. The additional broken lines shown in FIG. 8 are for the purpose of illustrating environmental structure, which form no part of the claimed design.

(56) **References Cited**

U.S. PATENT DOCUMENTS

4,509,521	A	4/1985	Barry	
4,944,289	A	7/1990	Matthews	
D395,086	S *	6/1998	Reynolds, III	D24/183
5,792,174	A	8/1998	Loan	
6,315,743	B1	11/2001	Guest	
D547,878	S *	7/2007	Lai	D24/214
7,998,099	B2	8/2011	Tull et al.	
D729,395	S *	5/2015	Shinnick	D24/200
D773,676	S *	12/2016	Guffer	D24/200
D845,497	S *	4/2019	Cole	D24/200
D853,575	S *	7/2019	Fleming	D24/211

1 Claim, 8 Drawing Sheets



(56)

References Cited

U.S. PATENT DOCUMENTS

2008/0280534 A1* 11/2008 Chandler A45D 44/22
450/59
2010/0145242 A1* 6/2010 Tsai A61H 7/004
601/108
2014/0221887 A1* 8/2014 Wu A61H 7/007
601/112
2015/0110903 A1 4/2015 Khan et al.
2018/0049938 A1* 2/2018 Fleming A61G 7/072

OTHER PUBLICATIONS

Perry, Philip, "Scientists May Have Discovered What Causes Migraines and a Path Toward a Cure," Jul. 13, 2016.
Rolyan® Occipital Base Release Board, 1987, Revised 1/90, 1/12, 2 pages, Patterson Medical Products, Inc.

* cited by examiner

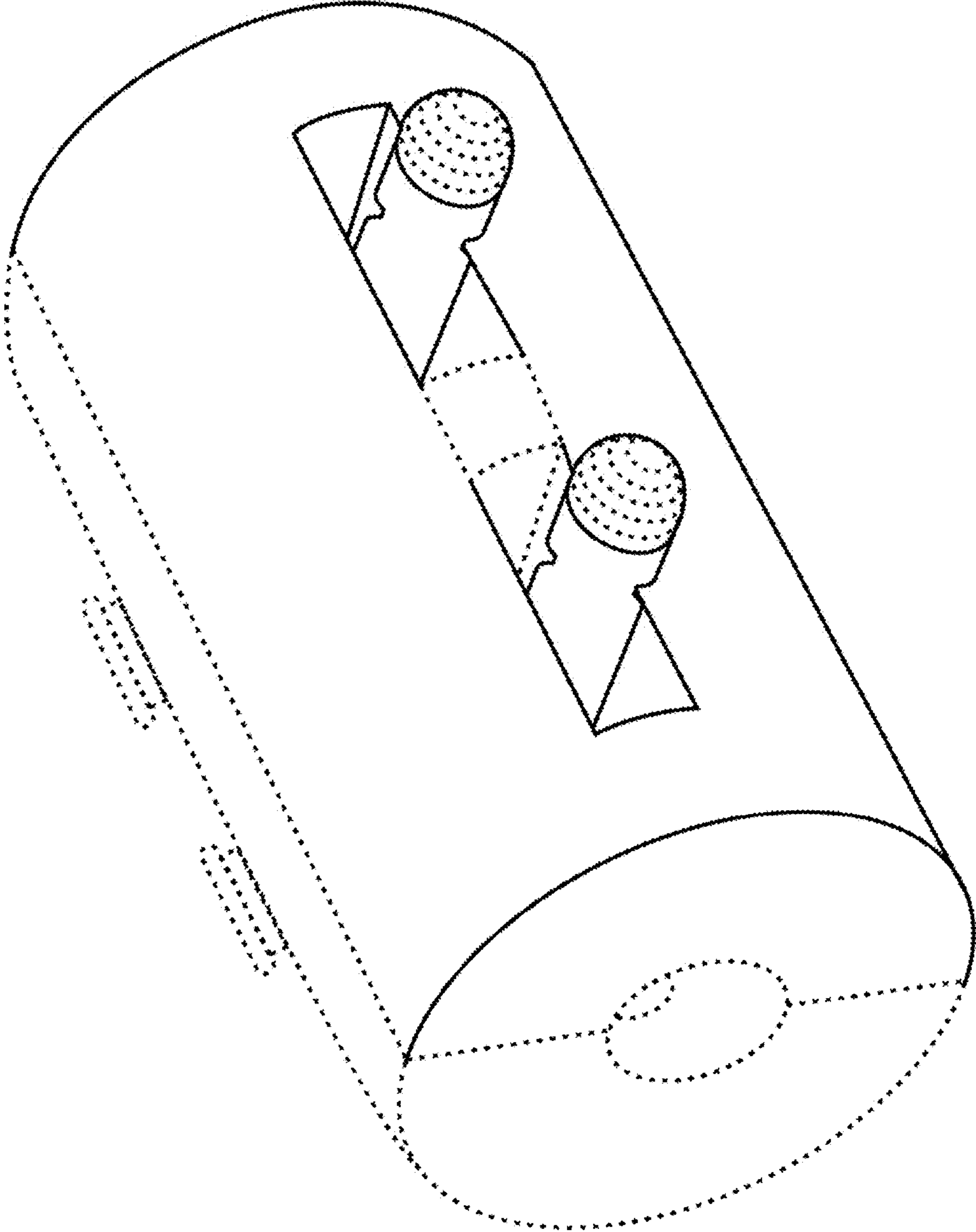


FIG. 1

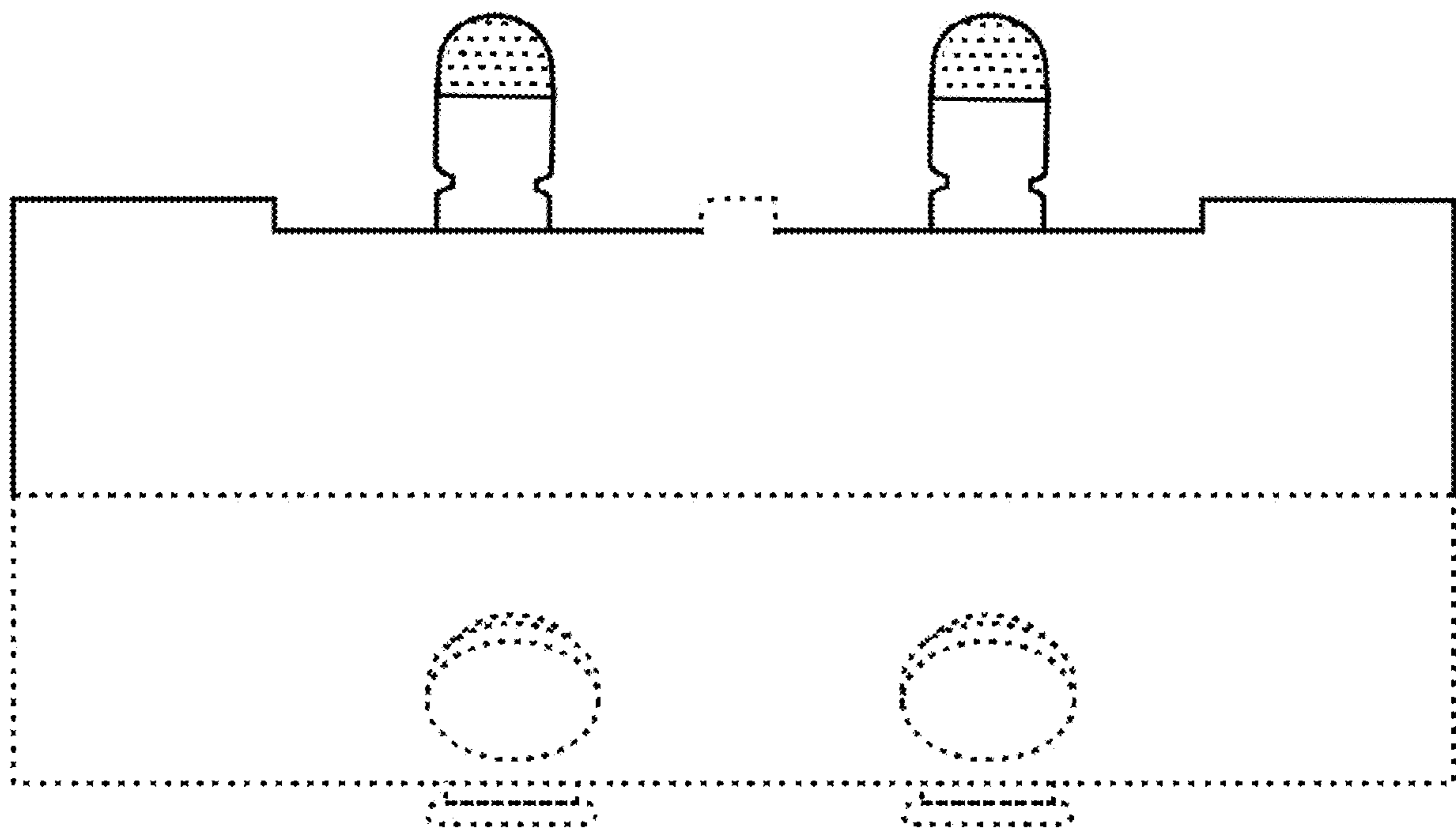


FIG. 2

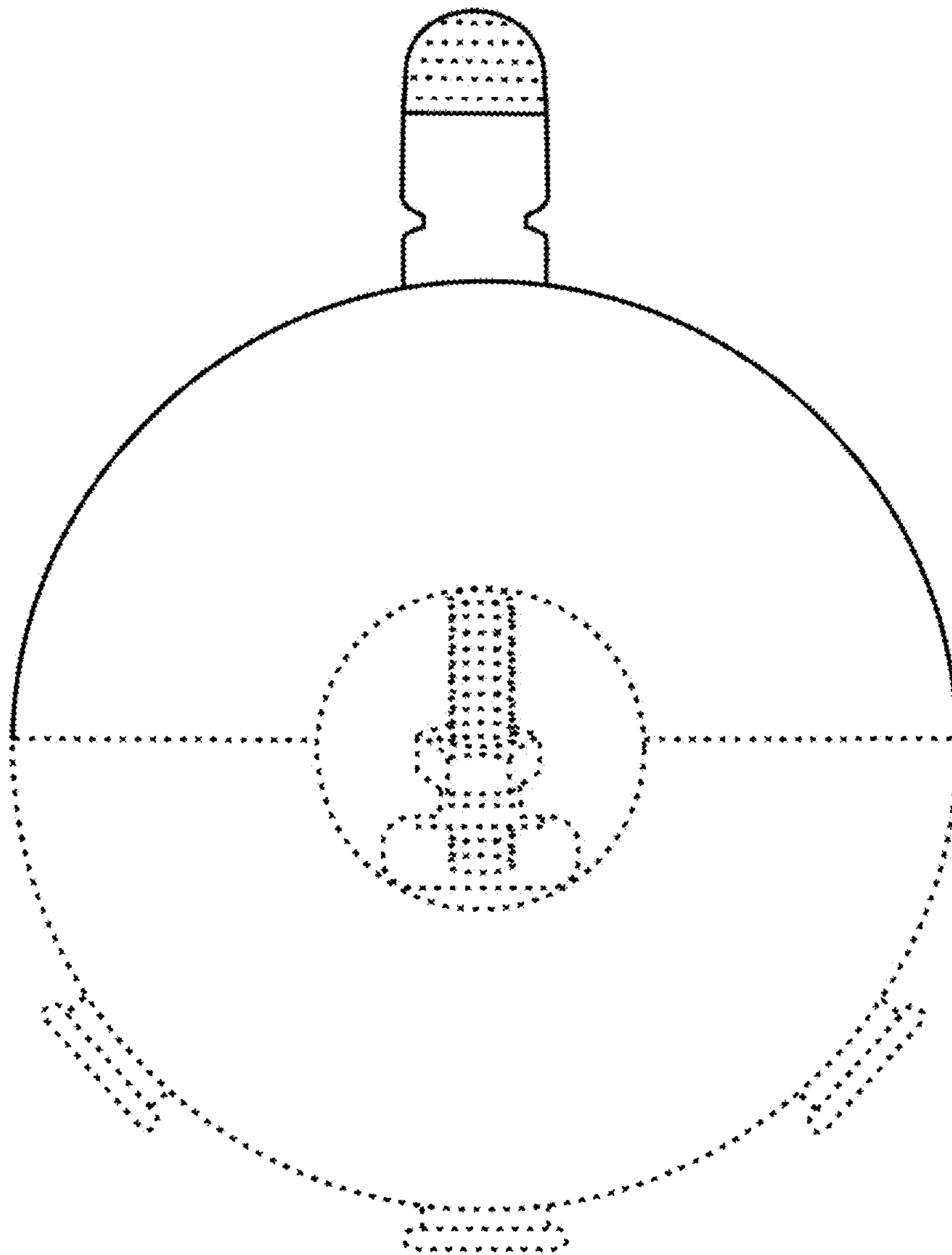


FIG. 3

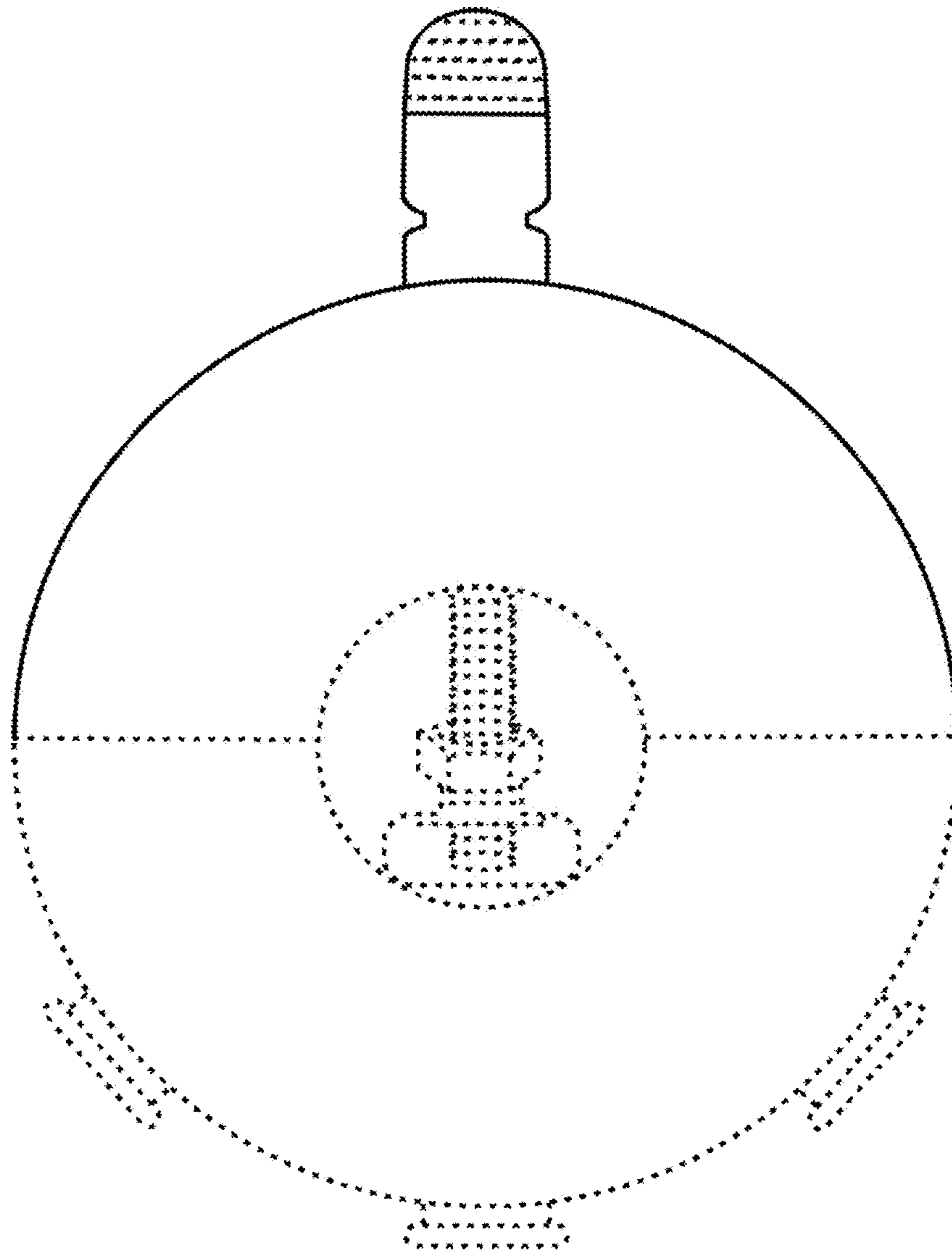


FIG. 4

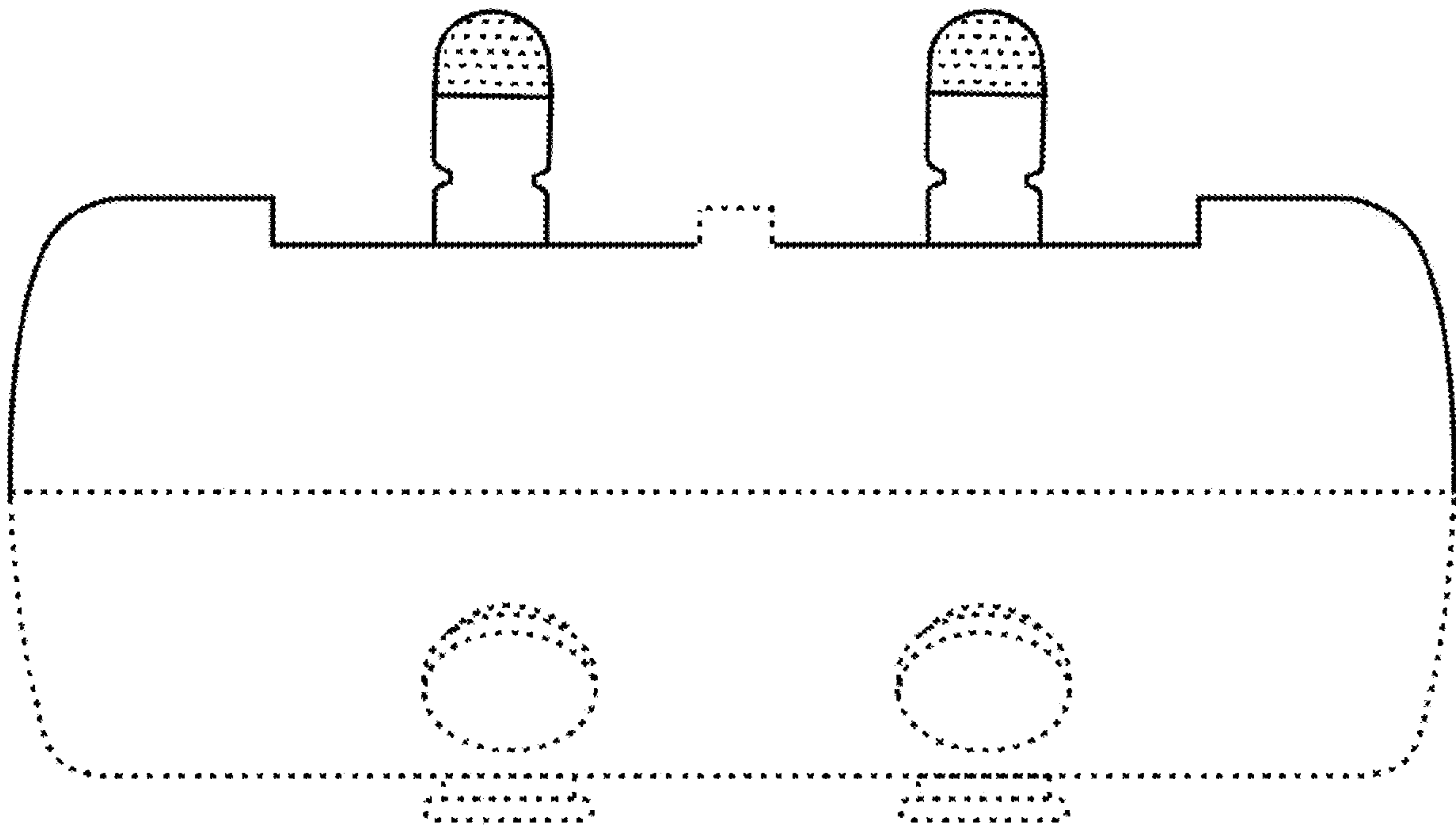


FIG. 5

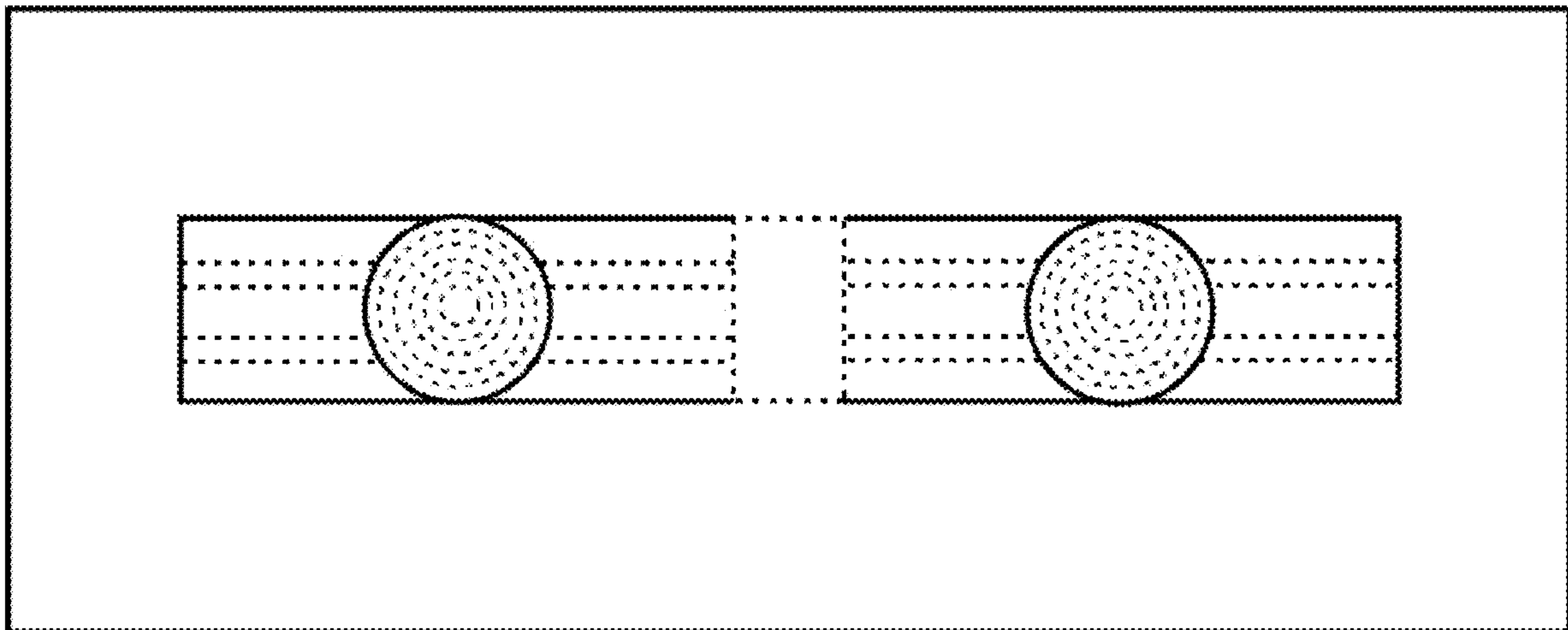


FIG. 6

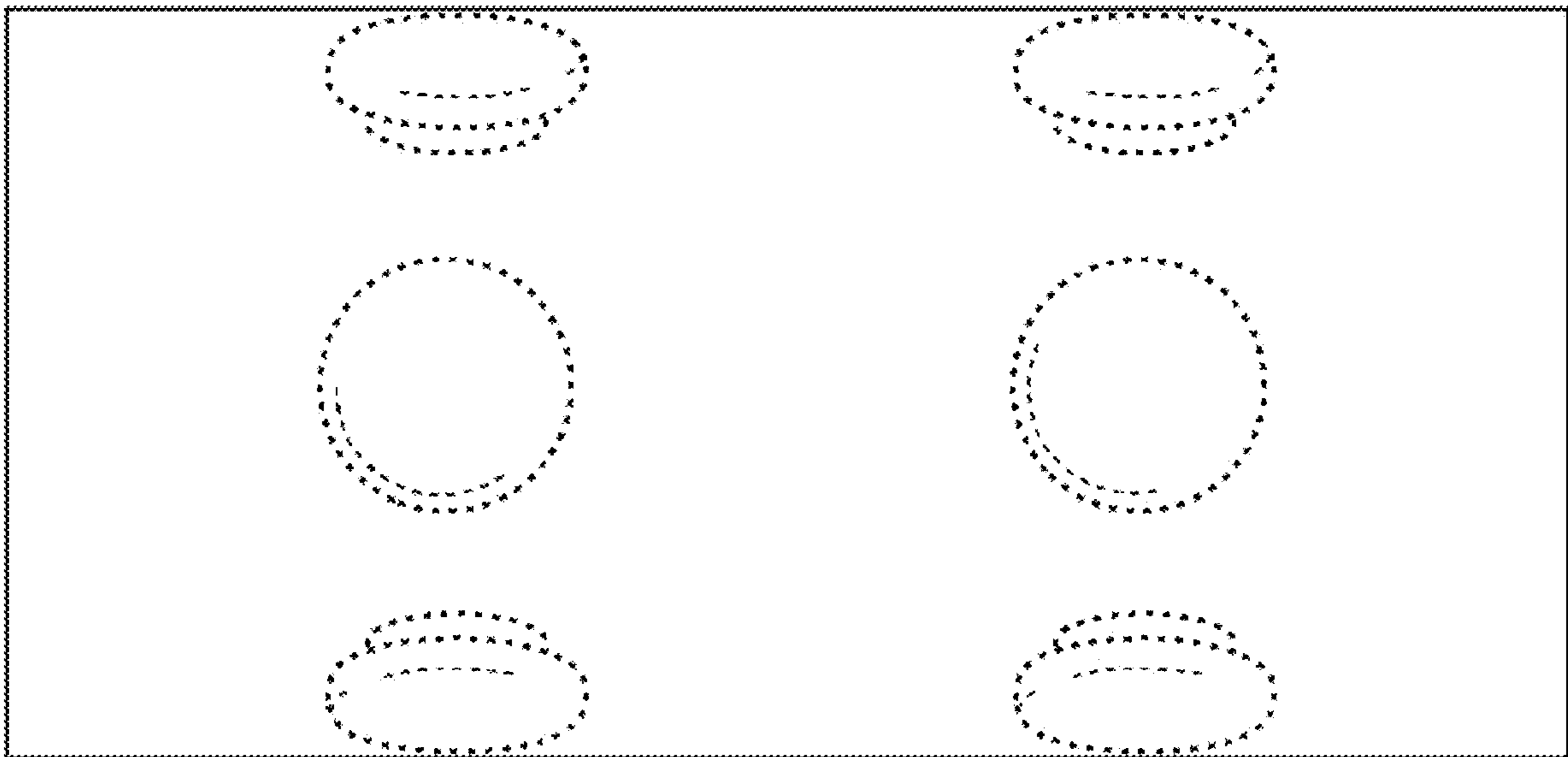


FIG. 7

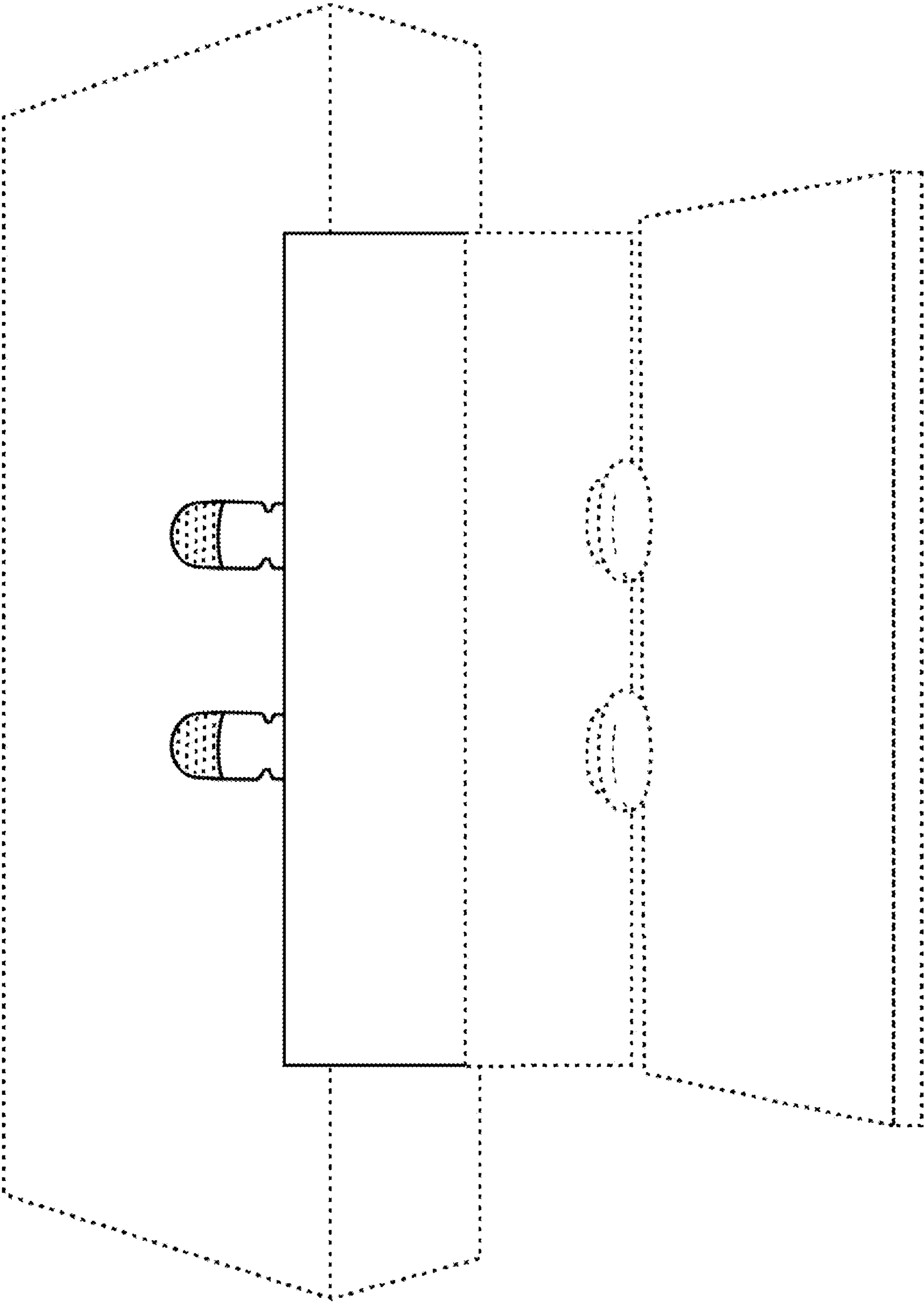


FIG. 8