



US00D932641S

(12) **United States Design Patent** (10) **Patent No.:** **US D932,641 S**  
**Mo** (45) **Date of Patent:** **\*\* Oct. 5, 2021**

(54) **WAX MACHINE**  
(71) Applicant: **Jiajian Mo**, Guangzhou (CN)  
(72) Inventor: **Jiajian Mo**, Guangzhou (CN)  
(\*\*) Term: **15 Years**

D838,859 S \* 1/2019 Yu ..... D24/200  
10,363,333 B2 \* 7/2019 Belongia ..... A61L 9/03  
D909,592 S \* 2/2021 Li ..... D24/200  
D914,224 S \* 3/2021 Wang ..... D24/200  
D917,710 S \* 4/2021 Li ..... D24/200

(21) Appl. No.: **29/767,189**  
(22) Filed: **Jan. 21, 2021**  
(51) **LOC (13) Cl.** ..... **28-03**  
(52) **U.S. Cl.**  
USPC ..... **D24/200**  
(58) **Field of Classification Search**  
USPC ..... D24/200, 204, 121; D7/323, 354, 629  
CPC ..... A61F 7/00; A61F 7/007; A61F 7/0085;  
A61F 2007/0003; A61F 2007/0004; A61F  
2007/0024; A61F 2007/0029; A61F  
2007/0031; A61F 2007/0034; A61F  
2007/0039; A61F 2007/0041; A61F  
2007/0043; A61F 2007/0219; A61L 9/03;  
A61L 9/12; H05B 3/0052; H05B 3/06;  
A61H 33/04; A61H 2033/047  
See application file for complete search history.

**FOREIGN PATENT DOCUMENTS**

CN 306184687 \* 7/2020  
CN 306280787 \* 8/2020

\* cited by examiner

*Primary Examiner* — Wan Laymon

(56) **References Cited**

**U.S. PATENT DOCUMENTS**

6,184,500 B1 \* 2/2001 Glucksman ..... A61H 33/04  
219/430  
D442,284 S \* 5/2001 Ferber ..... D24/200  
6,303,910 B2 \* 10/2001 Glucksman ..... A61H 33/04  
219/430  
D478,384 S \* 8/2003 Lie ..... D24/200  
D718,898 S 12/2014 Ismiel et al.

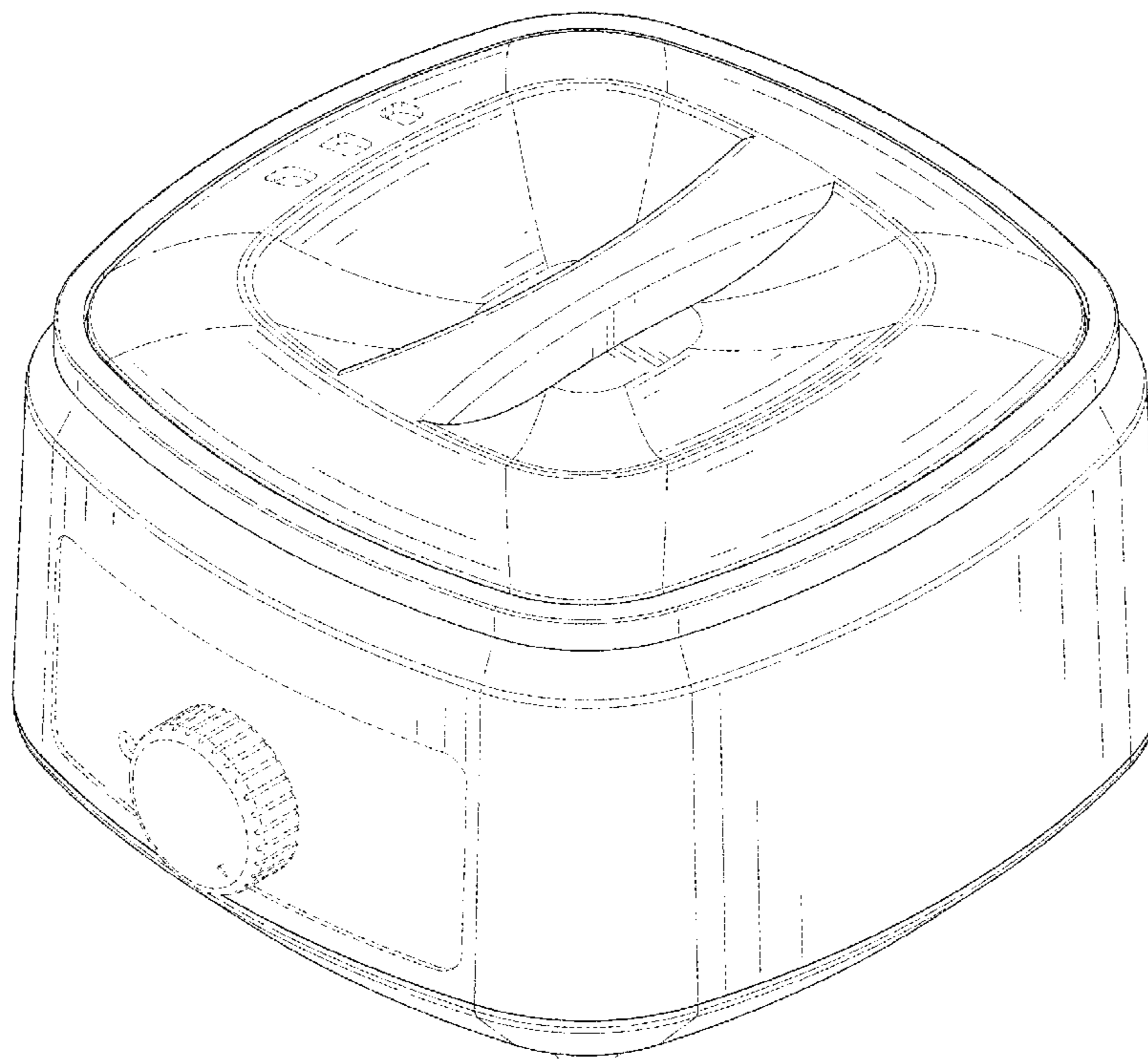
(57) **CLAIM**

The ornamental design for a wax machine, as shown and described.

**DESCRIPTION**

FIG. 1 is a front and top perspective view of a wax machine, showing my new design;  
FIG. 2 is a rear and bottom perspective view thereof;  
FIG. 3 is a front elevation view thereof;  
FIG. 4 is a rear elevation view thereof;  
FIG. 5 is a left side elevation view thereof;  
FIG. 6 is a right side elevation view thereof;  
FIG. 7 is a top plan view thereof; and,  
FIG. 8 is a bottom plan view thereof.  
The broken lines in the figures illustrate portions of the wax machine that form no part of the claimed design.

**1 Claim, 8 Drawing Sheets**



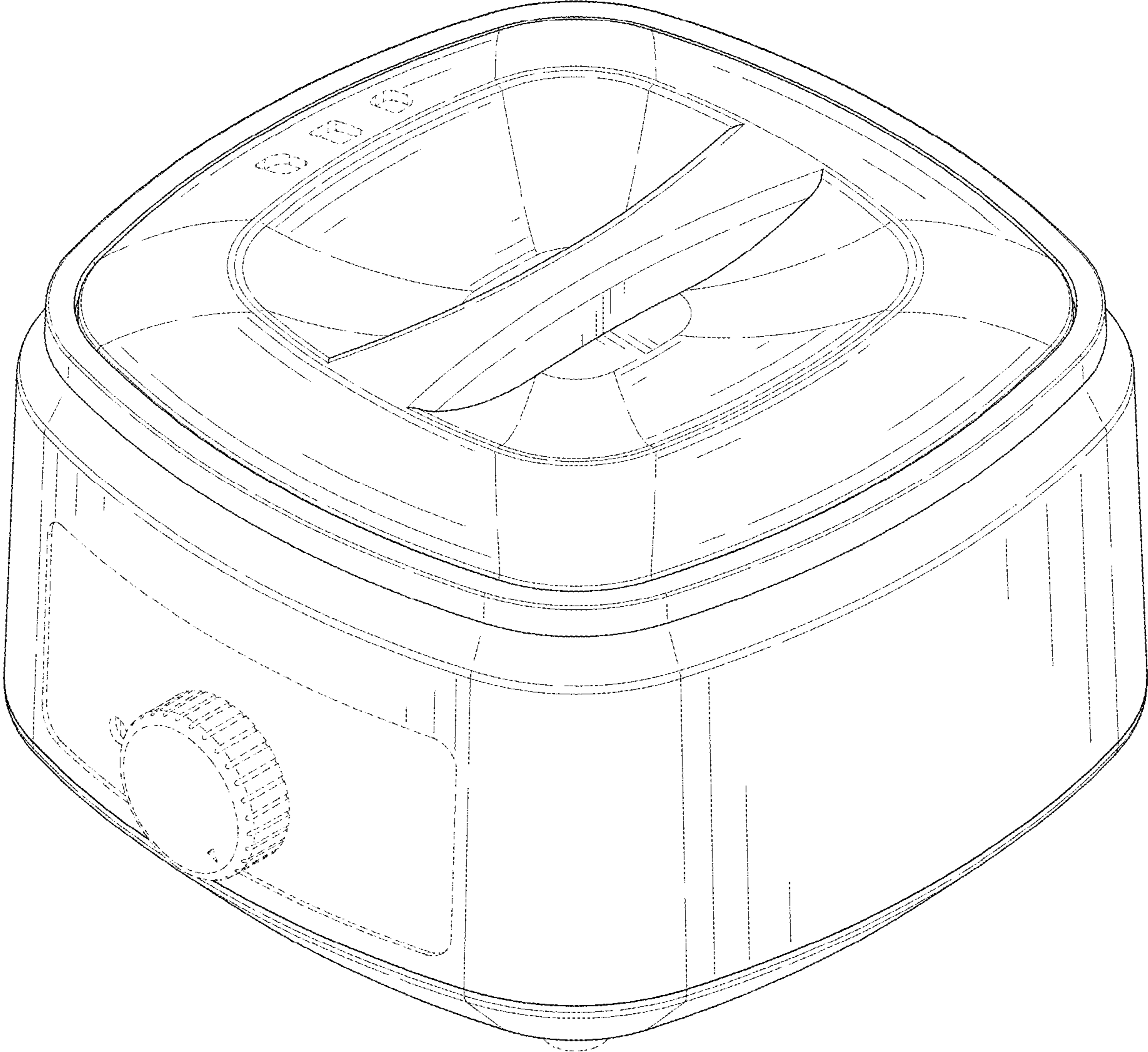


FIG. 1

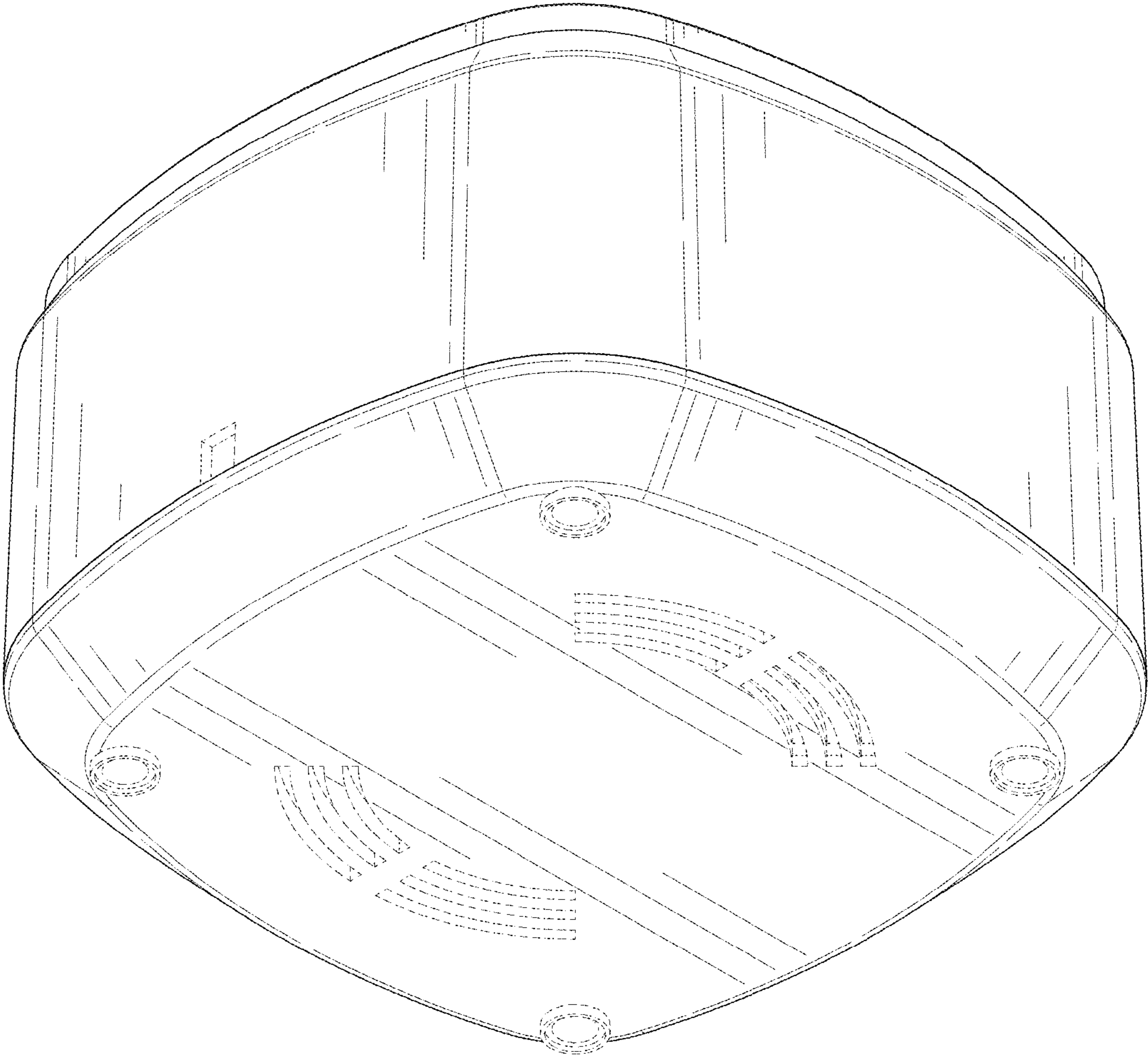


FIG. 2

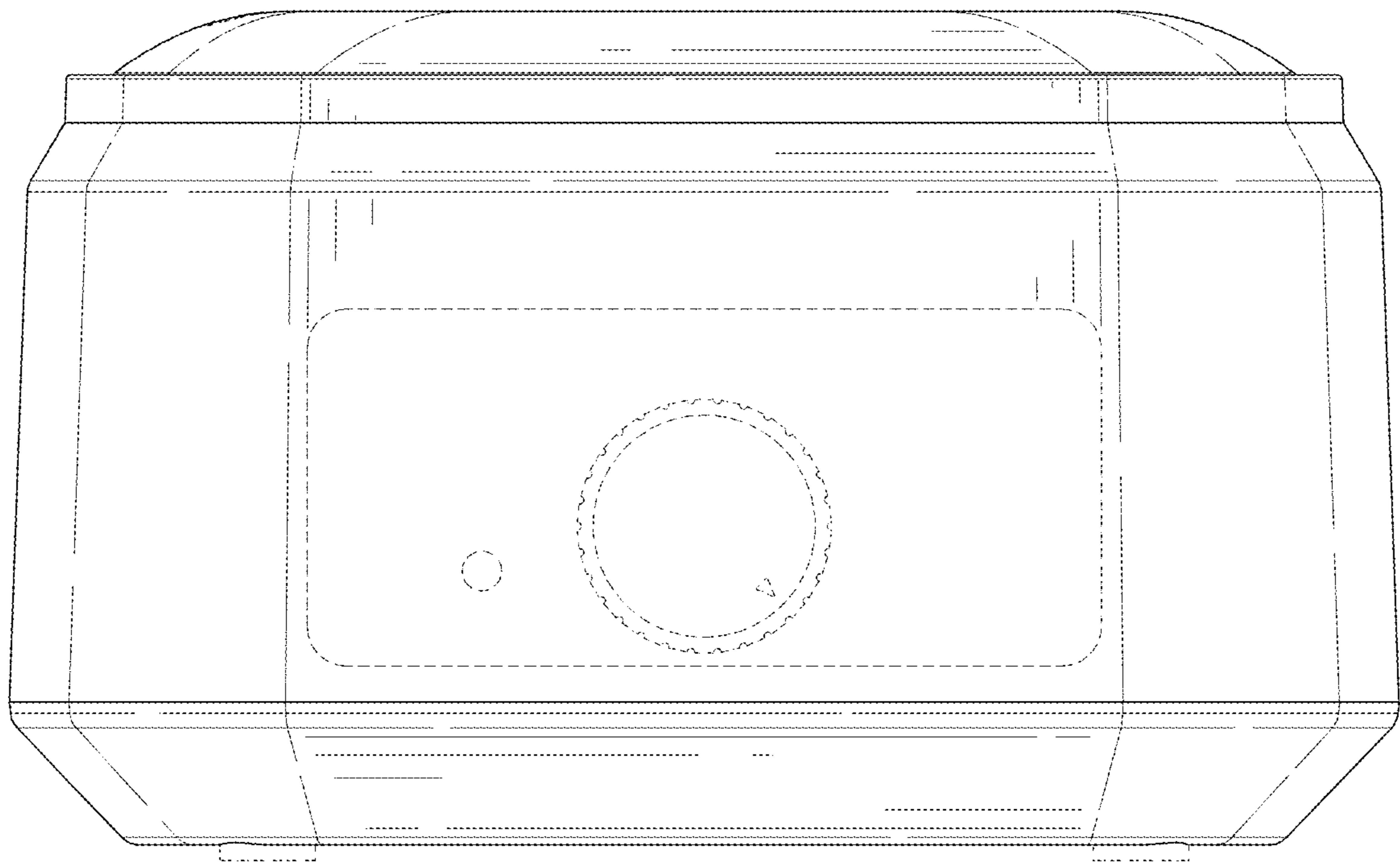


FIG. 3

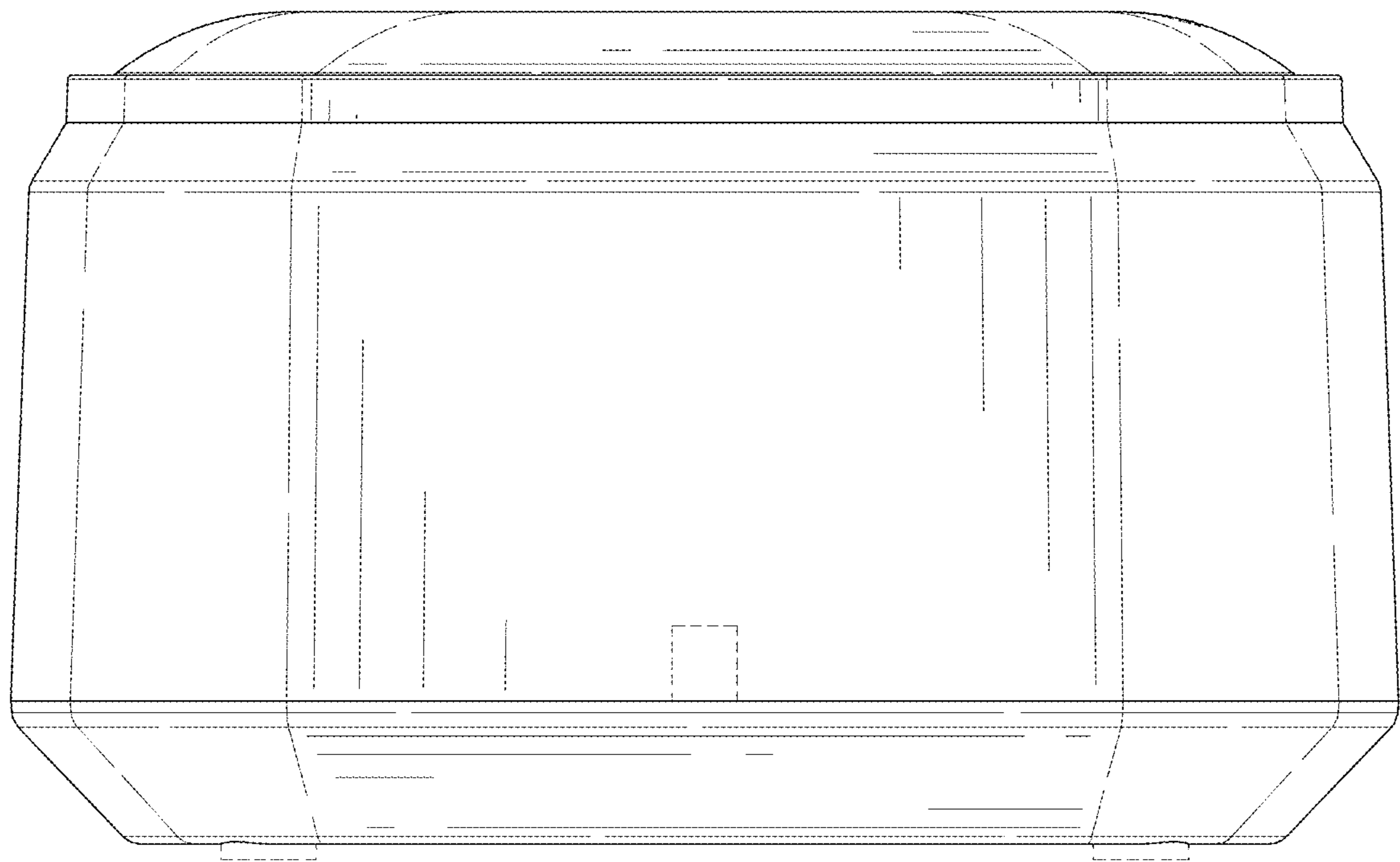


FIG. 4

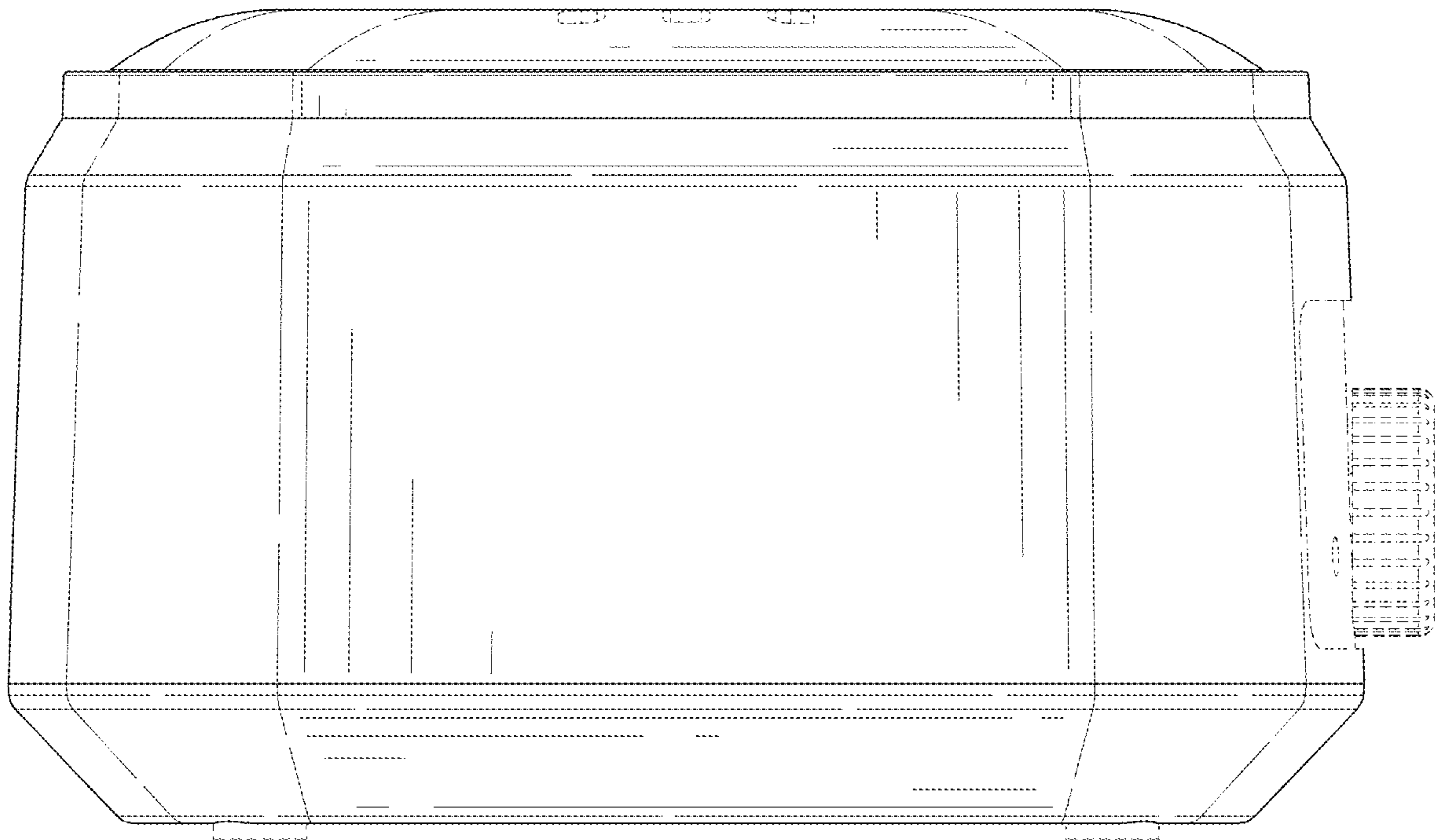


FIG. 5

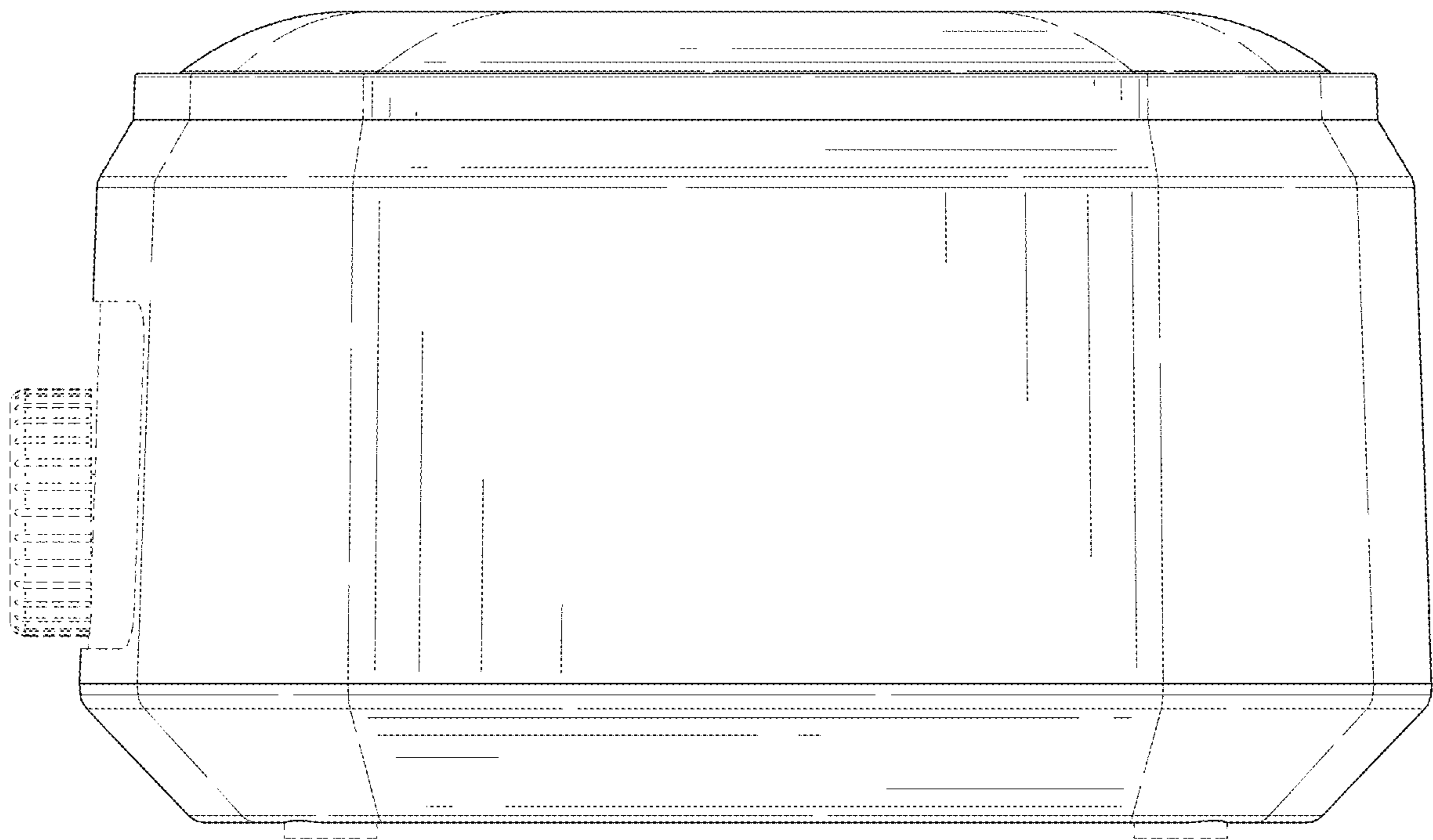


FIG. 6

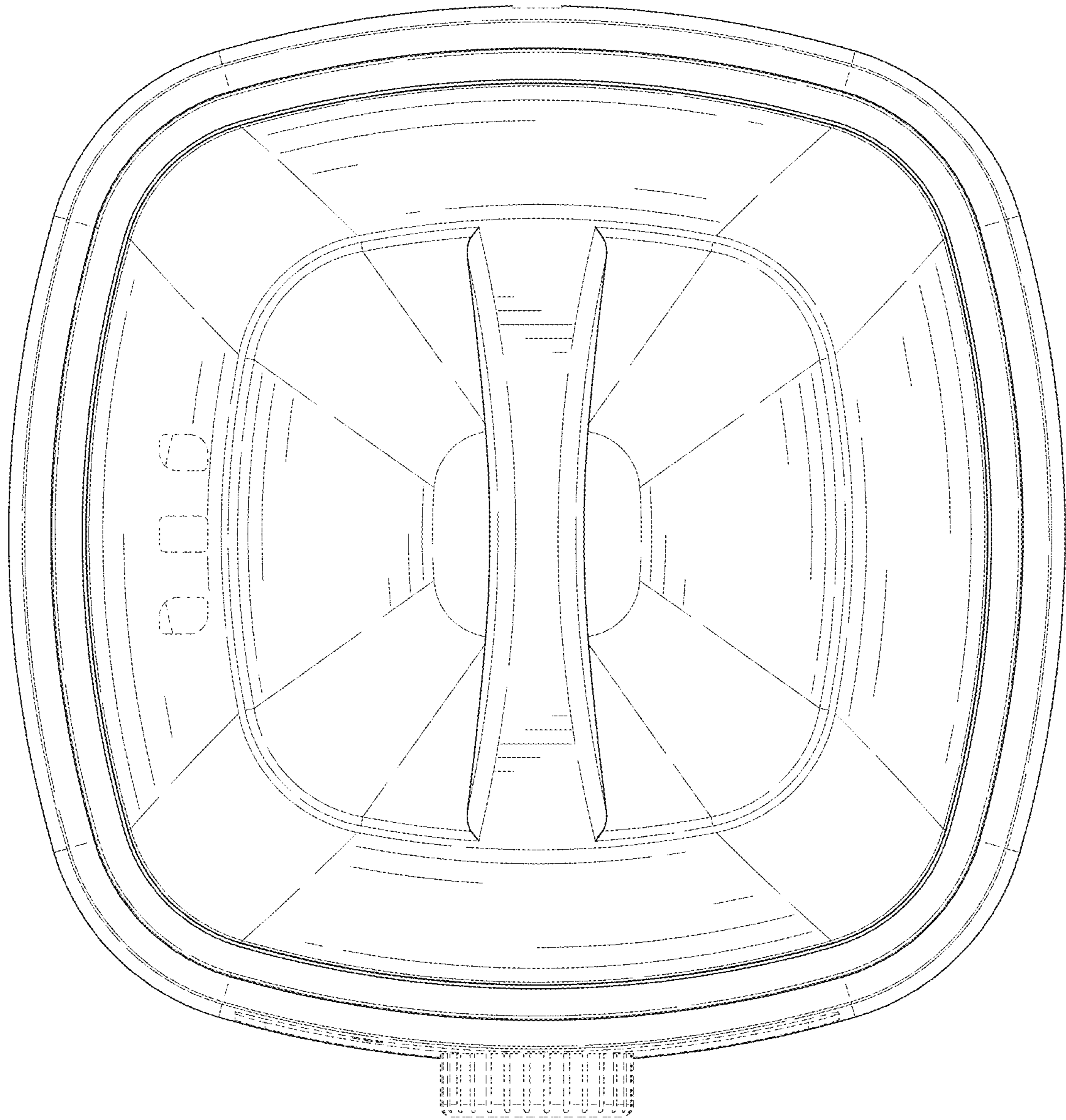


FIG. 7



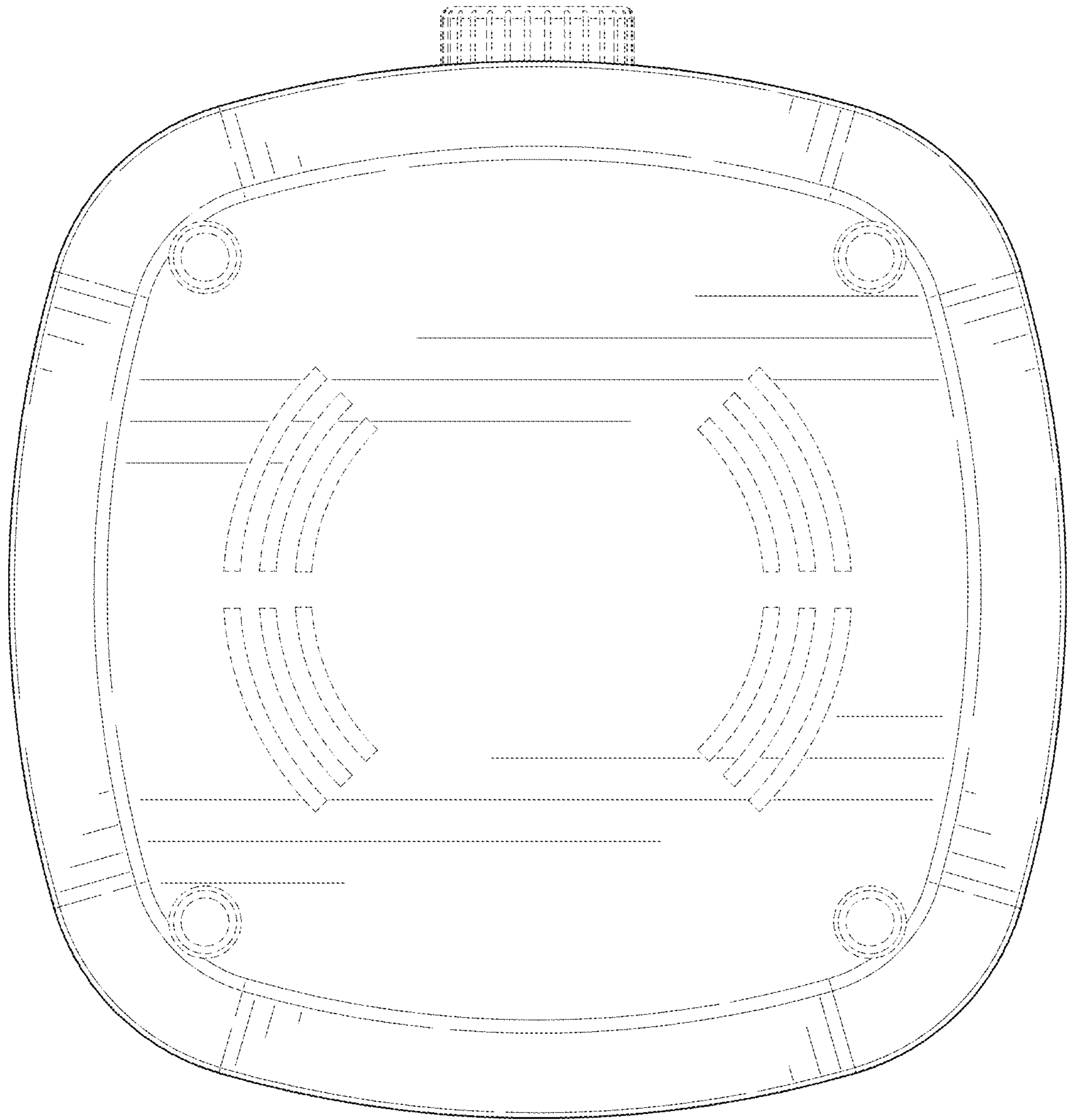


FIG. 8