



US00D932637S

(12) **United States Design Patent** (10) **Patent No.:** **US D932,637 S**
Hsu (45) **Date of Patent:** **** Oct. 5, 2021**

(54) **TENS DEVICE**

(71) Applicant: **Raymond Hsu**, Shenzhen (CN)

(72) Inventor: **Raymond Hsu**, Shenzhen (CN)

(**) Term: **15 Years**

(21) Appl. No.: **29/697,961**

(22) Filed: **Jul. 12, 2019**

(51) **LOC (13) Cl.** **28-03**

(52) **U.S. Cl.**
USPC **D24/200**

(58) **Field of Classification Search**
USPC D24/200, 214–215, 185–186, 165;
D14/218

CPC .. A61N 1/36021; A61N 1/36; A61N 1/36014;
A61N 1/36017; A61N 1/36071; A61N
1/36057; A61N 1/36128; A61N 1/37247;
A61N 1/0456

See application file for complete search history.

(56) **References Cited**

U.S. PATENT DOCUMENTS

7,792,583 B2 * 9/2010 Miesel A61N 1/36071
607/19
7,983,757 B2 * 7/2011 Miyazawa A61N 1/36071
607/45

9,827,418 B2 * 11/2017 Southwell A61N 1/0456
D836,788 S * 12/2018 Peng D24/200
D836,789 S * 12/2018 Jiang D24/200
10,322,287 B2 * 6/2019 Strother A61N 1/37247
D868,273 S * 11/2019 Li D24/200
D907,222 S * 1/2021 Xu D24/200
D927,004 S * 8/2021 Peng D24/200
2018/0042813 A1 * 2/2018 Chiang A61N 1/36014

* cited by examiner

Primary Examiner — Wan Laymon

(74) *Attorney, Agent, or Firm* — Alexander Chen, Esq.

(57) **CLAIM**

The ornamental design for a TENS device, as shown and described.

DESCRIPTION

FIG. 1 is a side view of a TENS device;

FIG. 2 is a top view thereof;

FIG. 3 is a front view thereof;

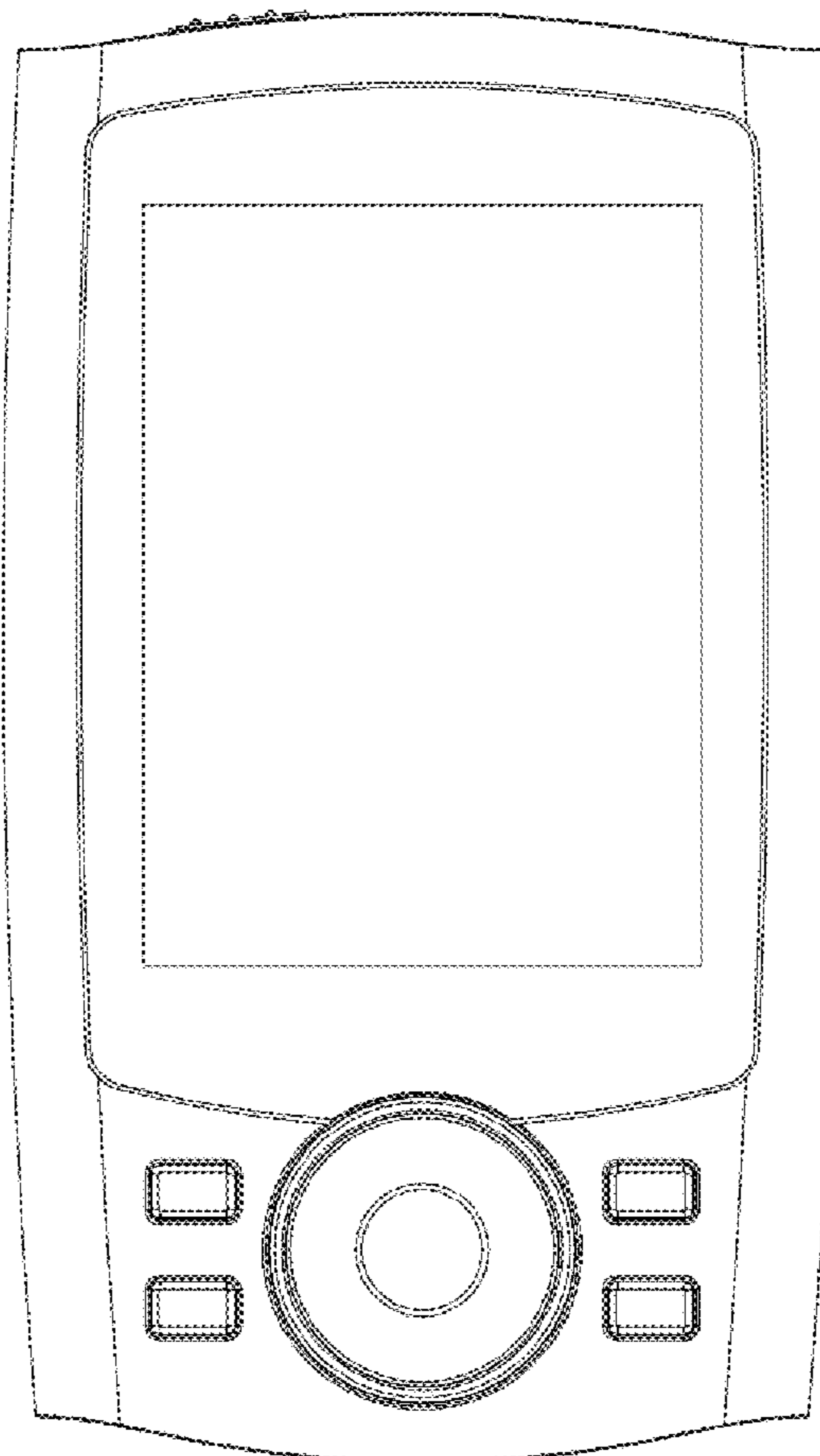
FIG. 4 is a bottom view thereof;

FIG. 5 is a side view thereof; and,

FIG. 6 is a back view thereof.

The broken line shown in the figures is included for the purpose of illustrating portions of the TENS device and forms no part of the claimed design.

1 Claim, 6 Drawing Sheets



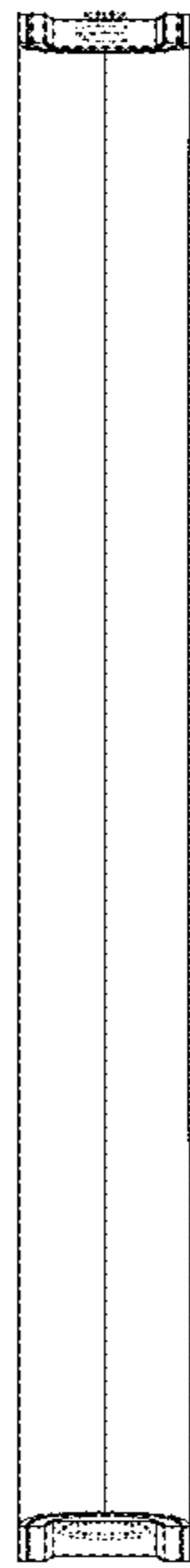


Fig. 1



Fig. 2

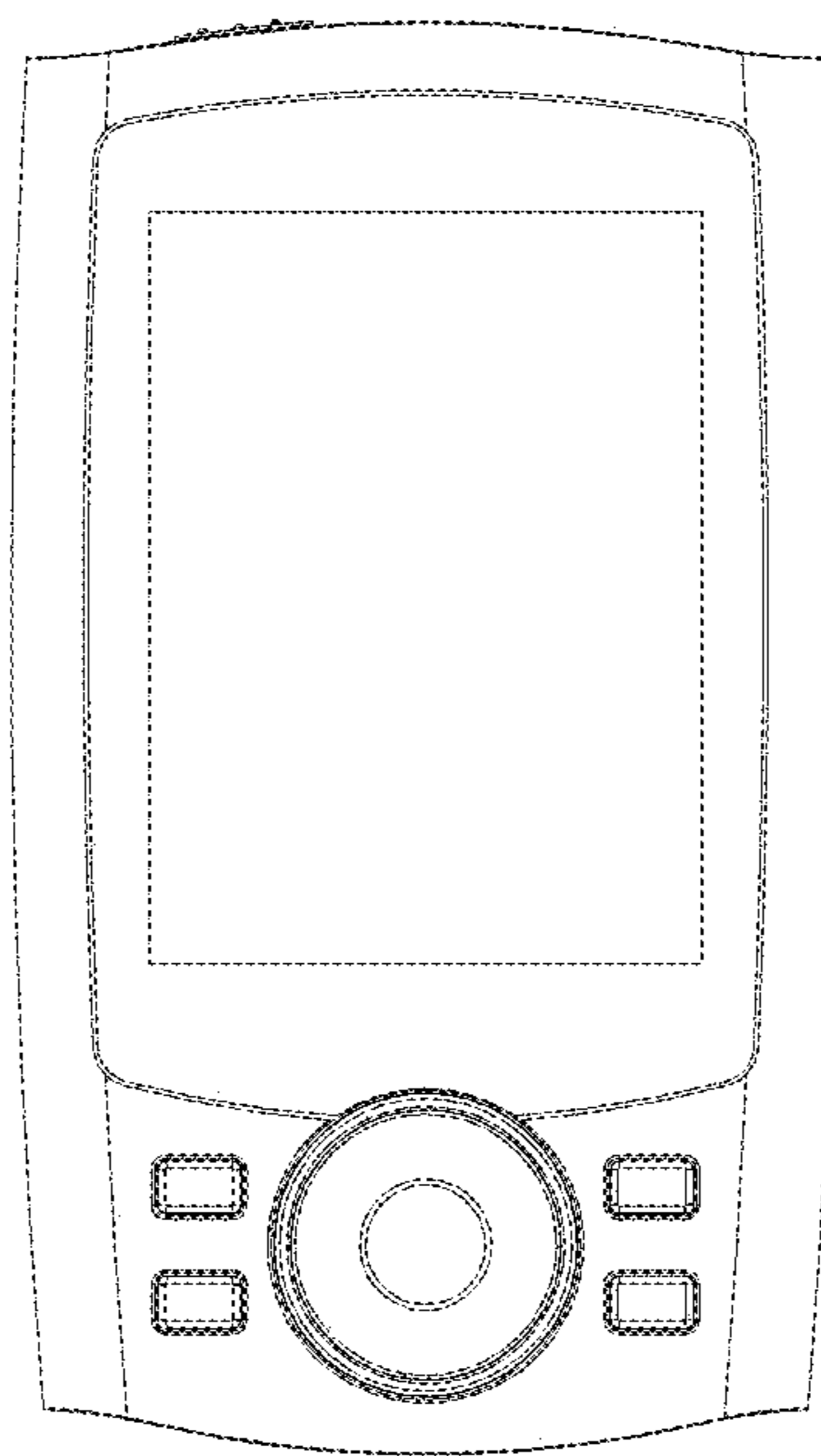


Fig. 3



Fig. 4

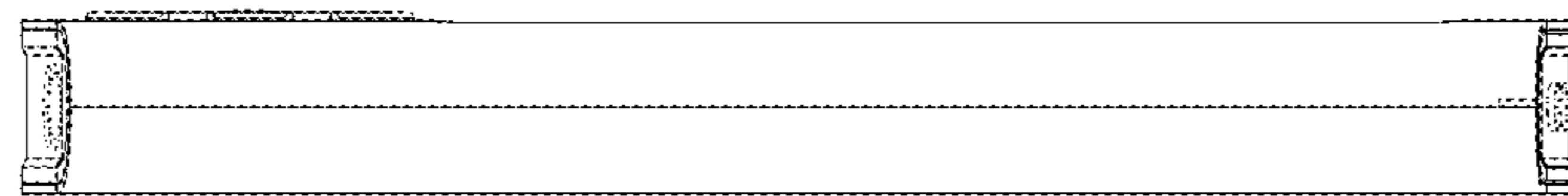


Fig. 5

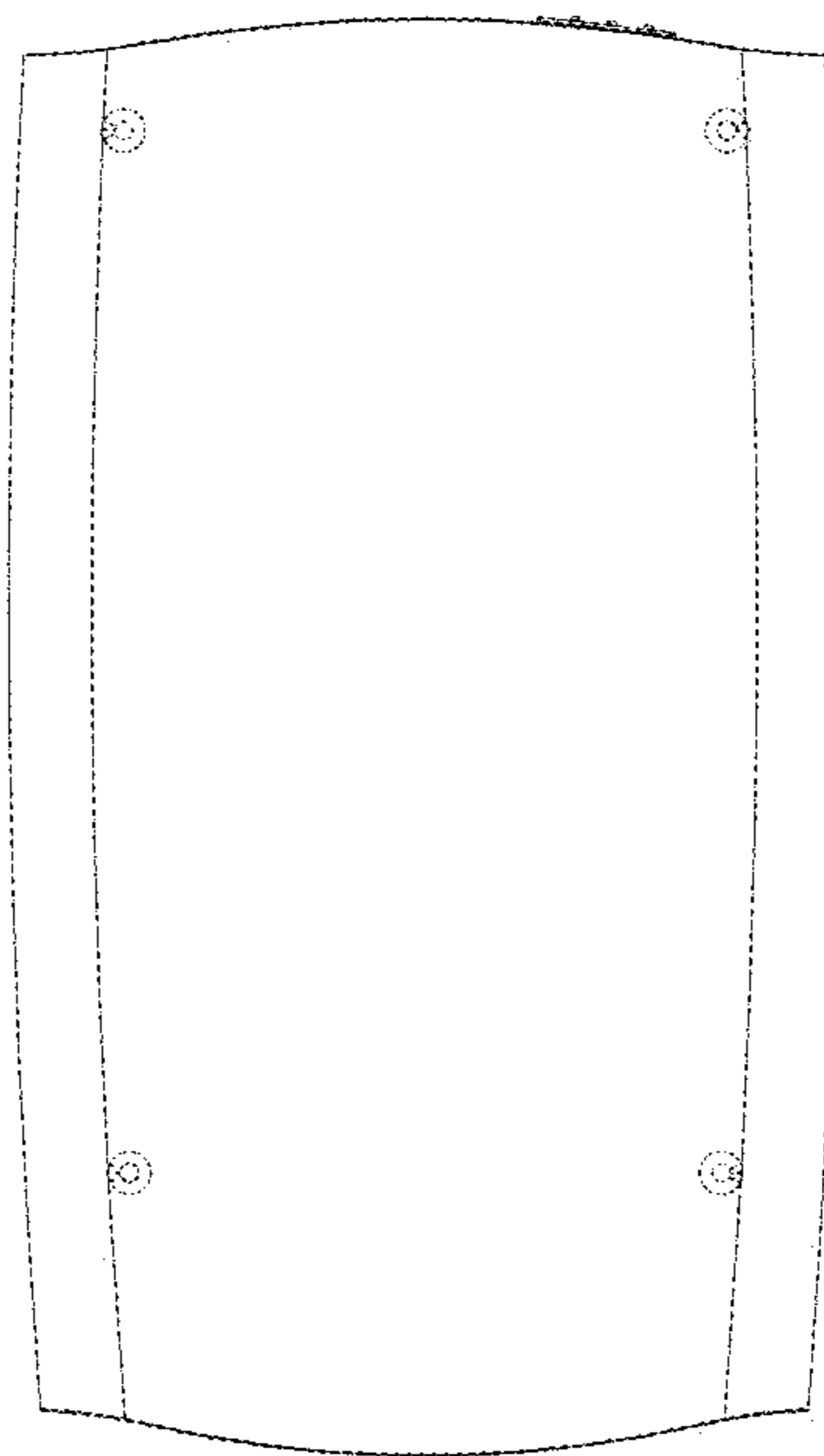


Fig. 6