



US00D932630S

(12) **United States Design Patent**
Ruff et al.

(10) **Patent No.:** **US D932,630 S**

(45) **Date of Patent:** **** Oct. 5, 2021**

(54) **CART**

(71) Applicant: **GE Precision Healthcare LLC**,
Milwaukee, WI (US)

(72) Inventors: **Christian Ruff**, St. Johann (AT);
Aurelie Boudier, Bois d'Arcy (FR);
Markus Paarhammer, Oberwang (AT);
Gerhard Hattinger, Oberwang (AT)

(73) Assignee: **GE Precision Healthcare LLC**,
Milwaukee, WI (US)

(**) Term: **15 Years**

(21) Appl. No.: **29/718,949**

(22) Filed: **Dec. 30, 2019**

(51) **LOC (13) Cl.** **24-00**

(52) **U.S. Cl.**
USPC **D24/185; D34/14**

(58) **Field of Classification Search**
USPC D34/12-27; D24/177, 185, 186
CPC B62B 3/00; B62B 3/1476; B62B 3/16;
B62B 3/1472; B62B 3/12; B62B 3/005;
B62B 2202/30; B62B 2203/07; B62B
5/067; B62B 5/002

See application file for complete search history.

(56) **References Cited**

U.S. PATENT DOCUMENTS

D302,585 S * 8/1989 Elliott D24/177
D553,324 S * 10/2007 Lieblein D34/14

D555,792 S * 11/2007 Haymann D24/177
D702,840 S * 4/2014 Blomquist D24/164
D707,360 S * 6/2014 Kim D24/185
D724,736 S * 3/2015 Kim D24/158
D726,324 S * 4/2015 Duncan D24/177
D735,868 S * 8/2015 Mareguddi D24/185
D812,231 S * 3/2018 Duncan D24/177
D833,701 S * 11/2018 Conan D34/18
D843,585 S * 3/2019 Wu D24/186
D853,564 S 7/2019 Henderson et al.
D855,190 S * 7/2019 Wu D24/185
D878,600 S 3/2020 Pelissier et al.
D917,701 S * 4/2021 Chai D24/186

* cited by examiner

Primary Examiner — Cynthia Ramirez

(74) *Attorney, Agent, or Firm* — McCoy Russell LLP

(57) **CLAIM**

The ornamental design for a cart, as shown and described.

DESCRIPTION

FIG. 1 is a perspective view of a cart according to our new design.

FIG. 2 is a front view of the cart.

FIG. 3 is a rear view of the cart.

FIG. 4 is a right side view of the cart.

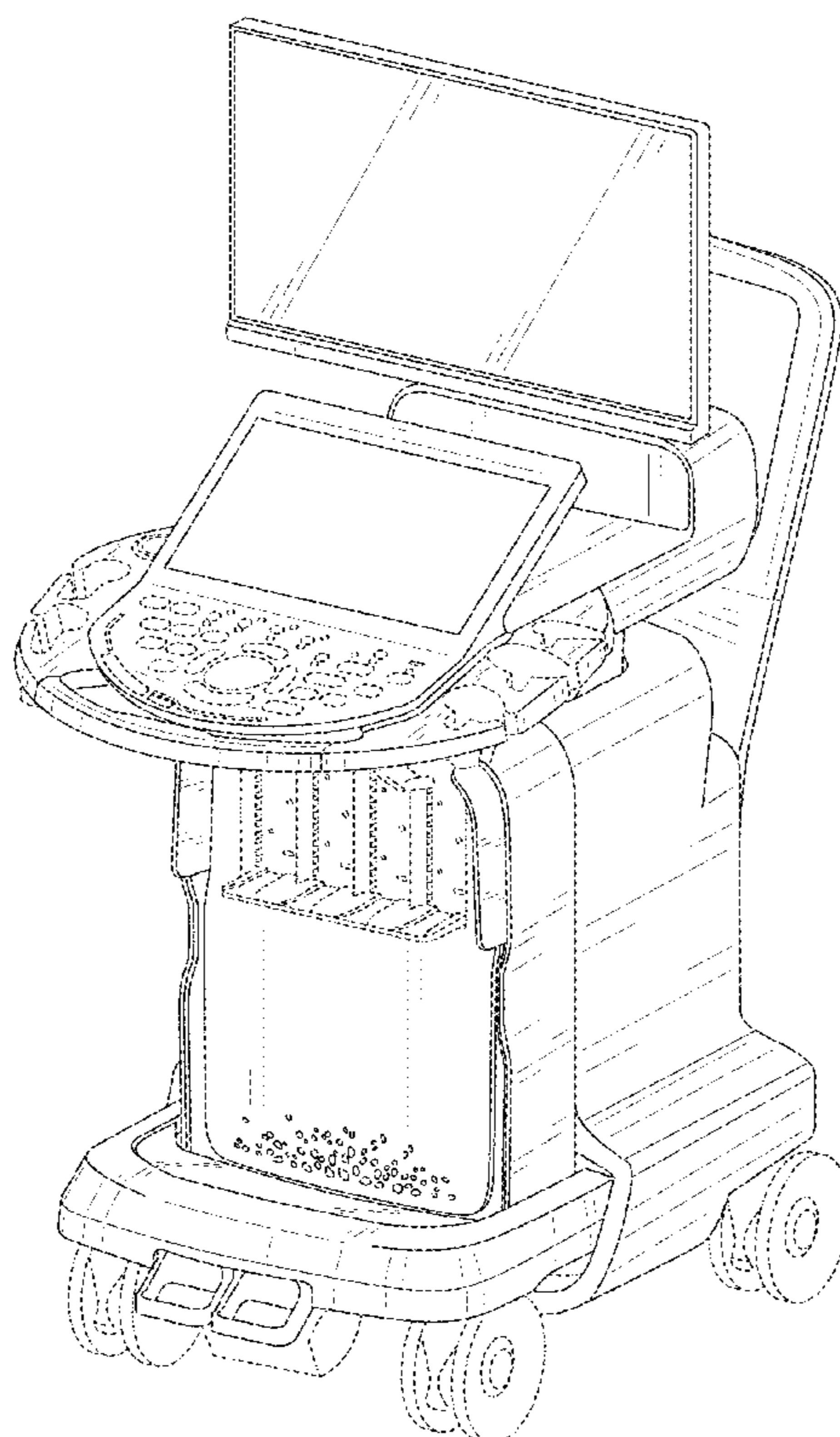
FIG. 5 is a left side view of the cart.

FIG. 6 is a top view of the cart; and,

FIG. 7 is a bottom view of the cart.

The broken lines in the drawings illustrate portions of the cart that form no part of the claimed design.

1 Claim, 7 Drawing Sheets



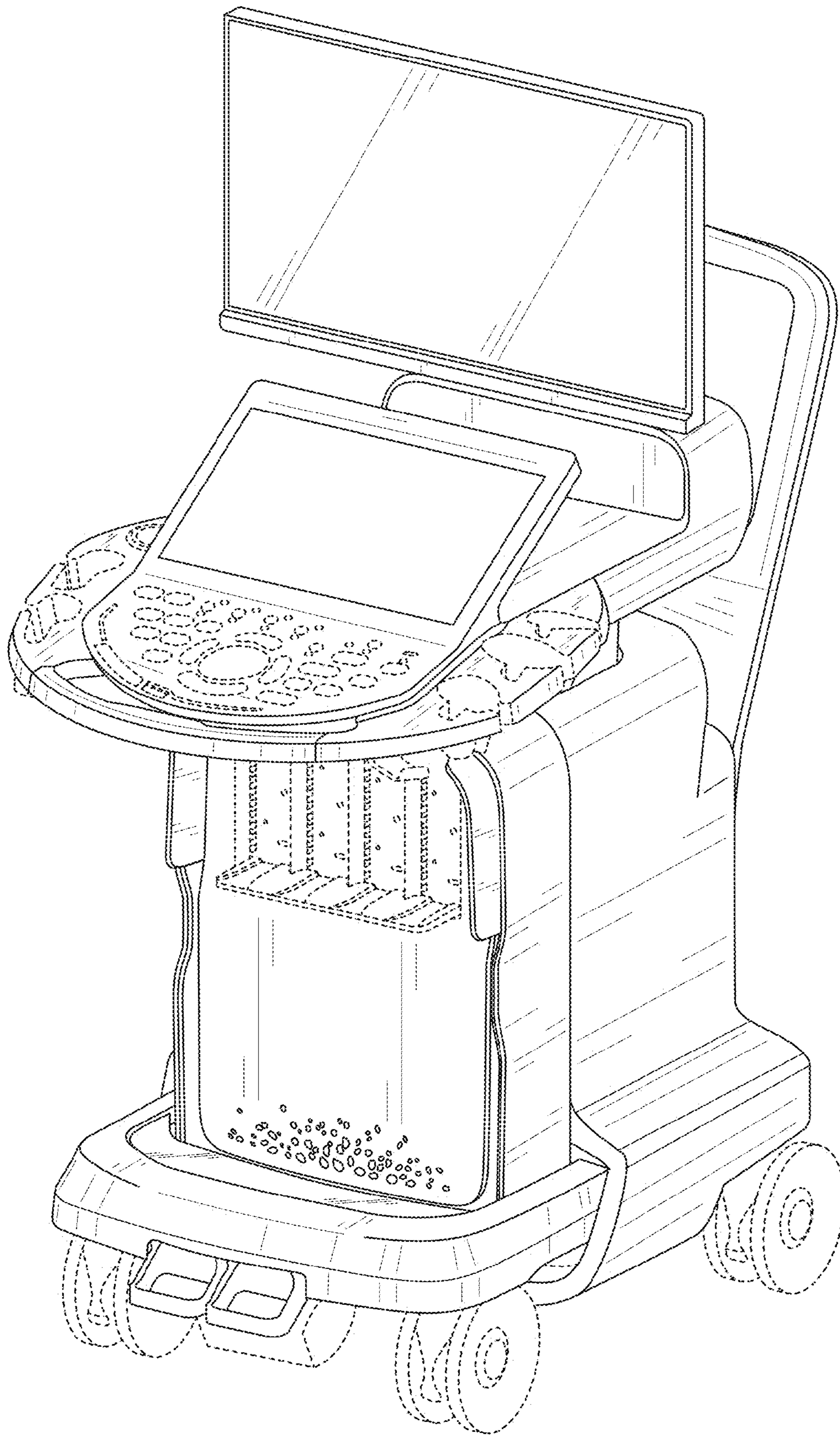


FIG. 1

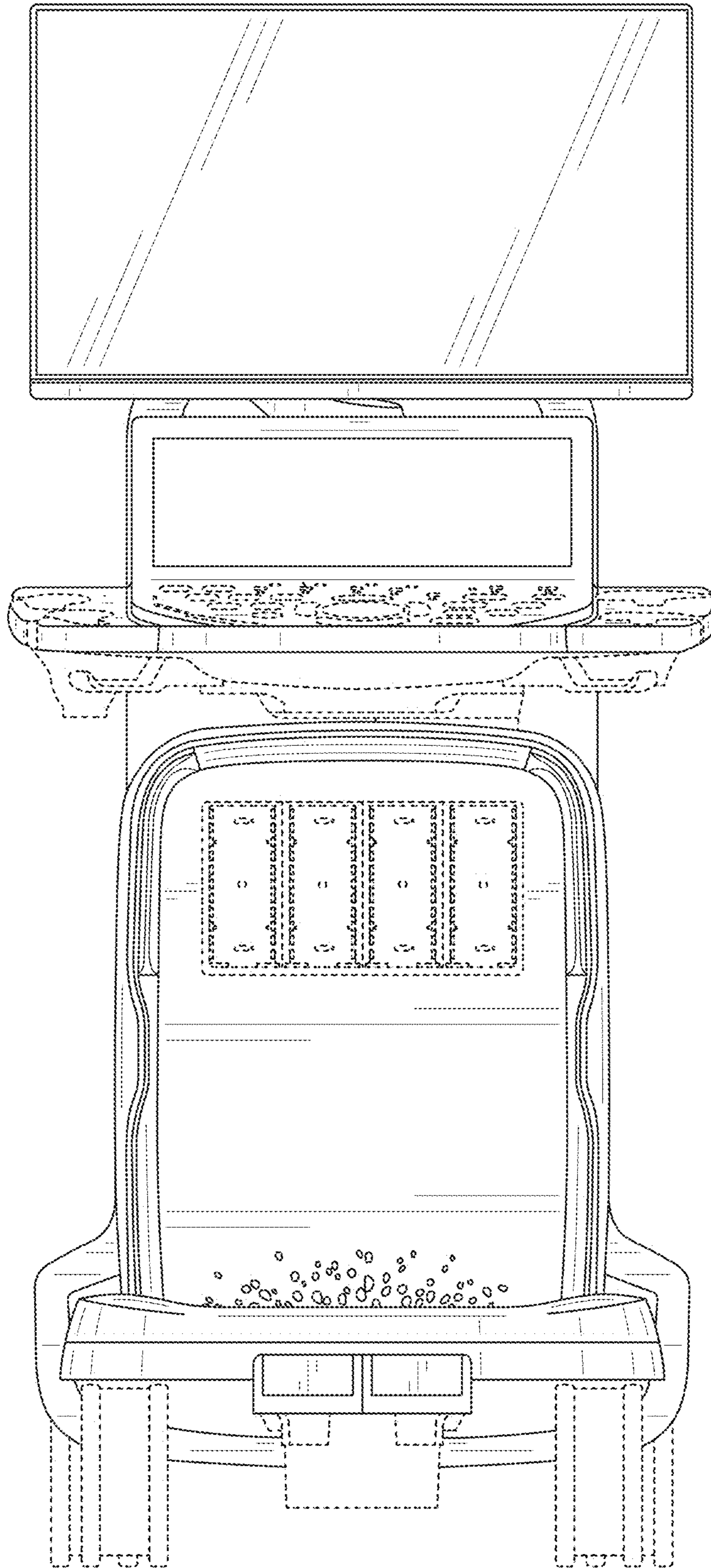


FIG. 2

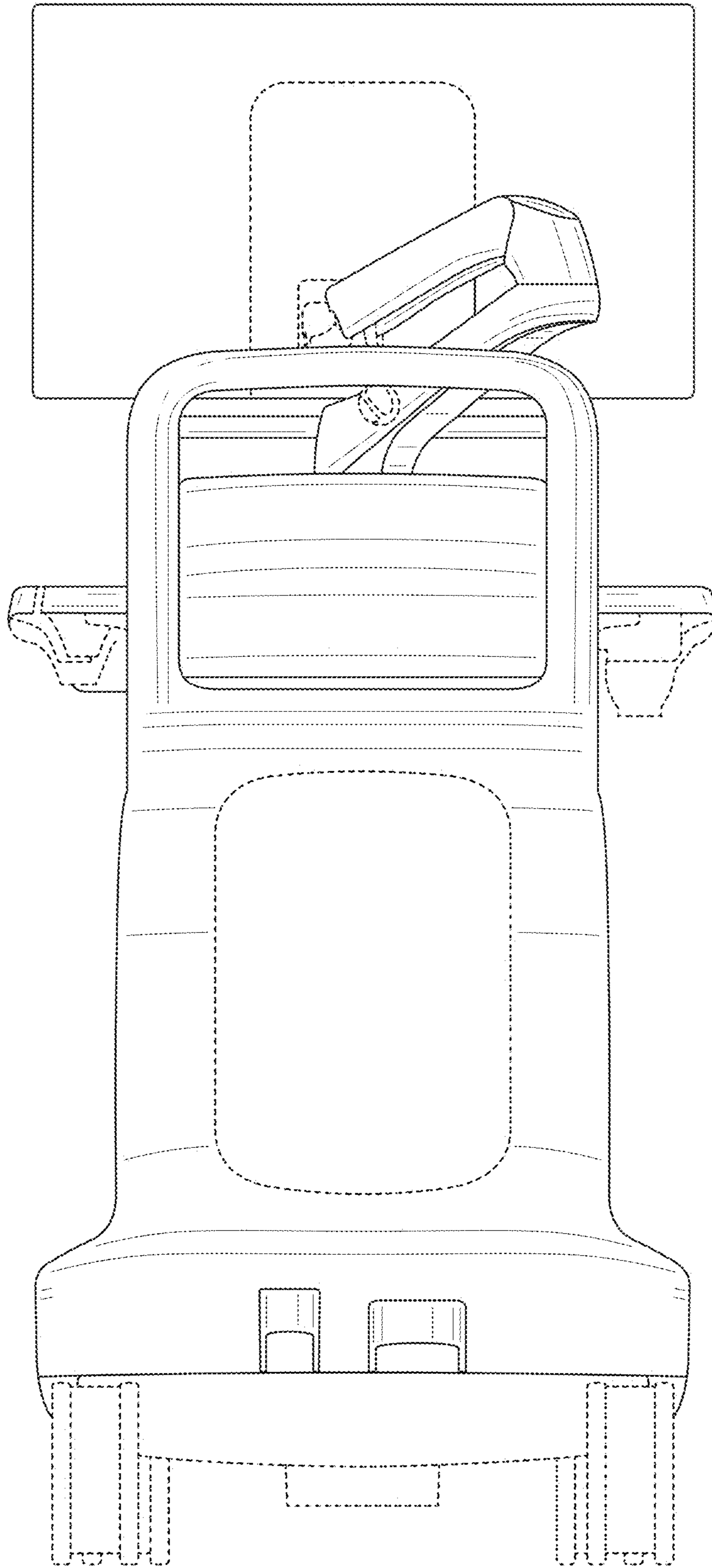


FIG. 3

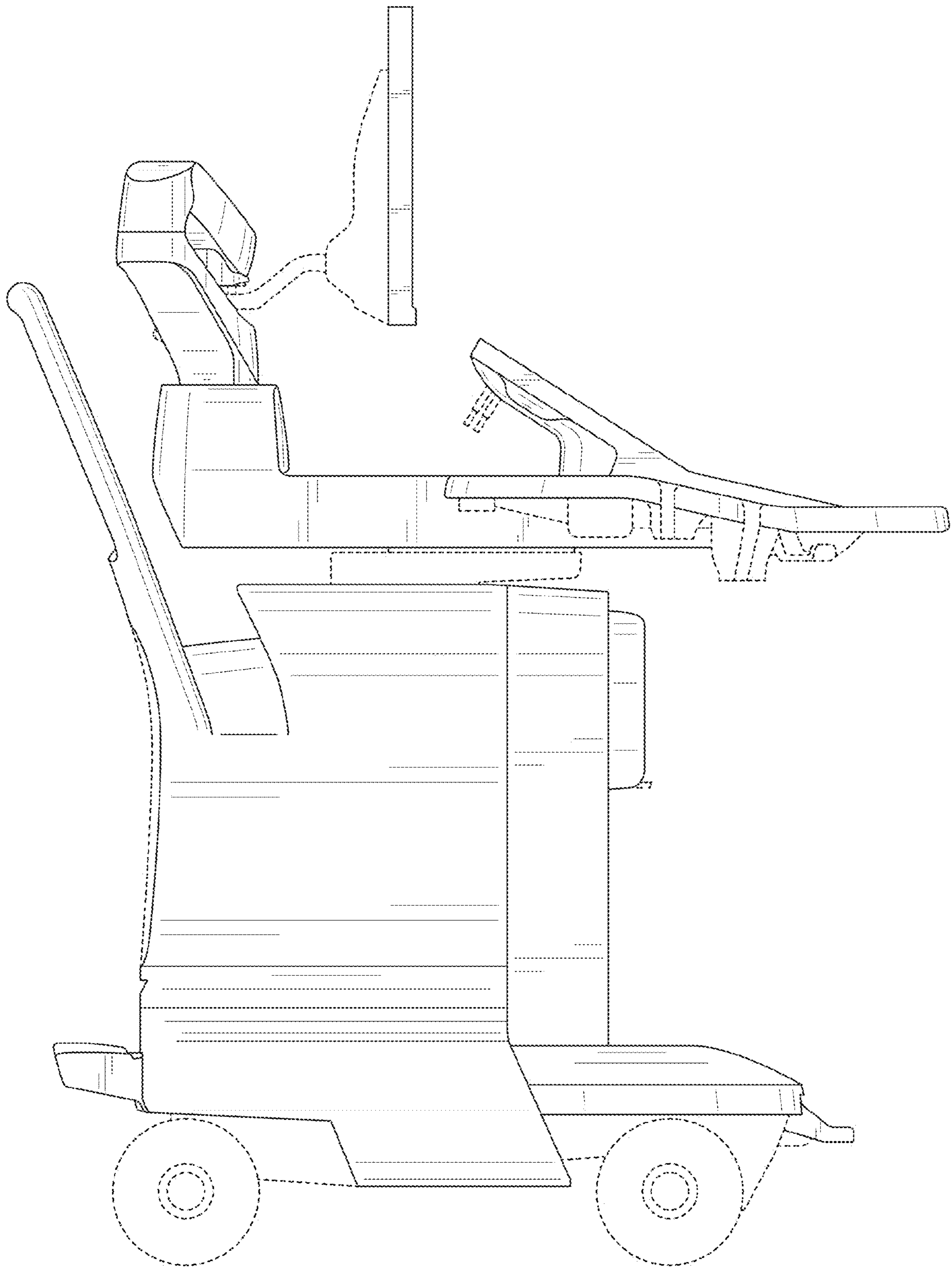


FIG. 4

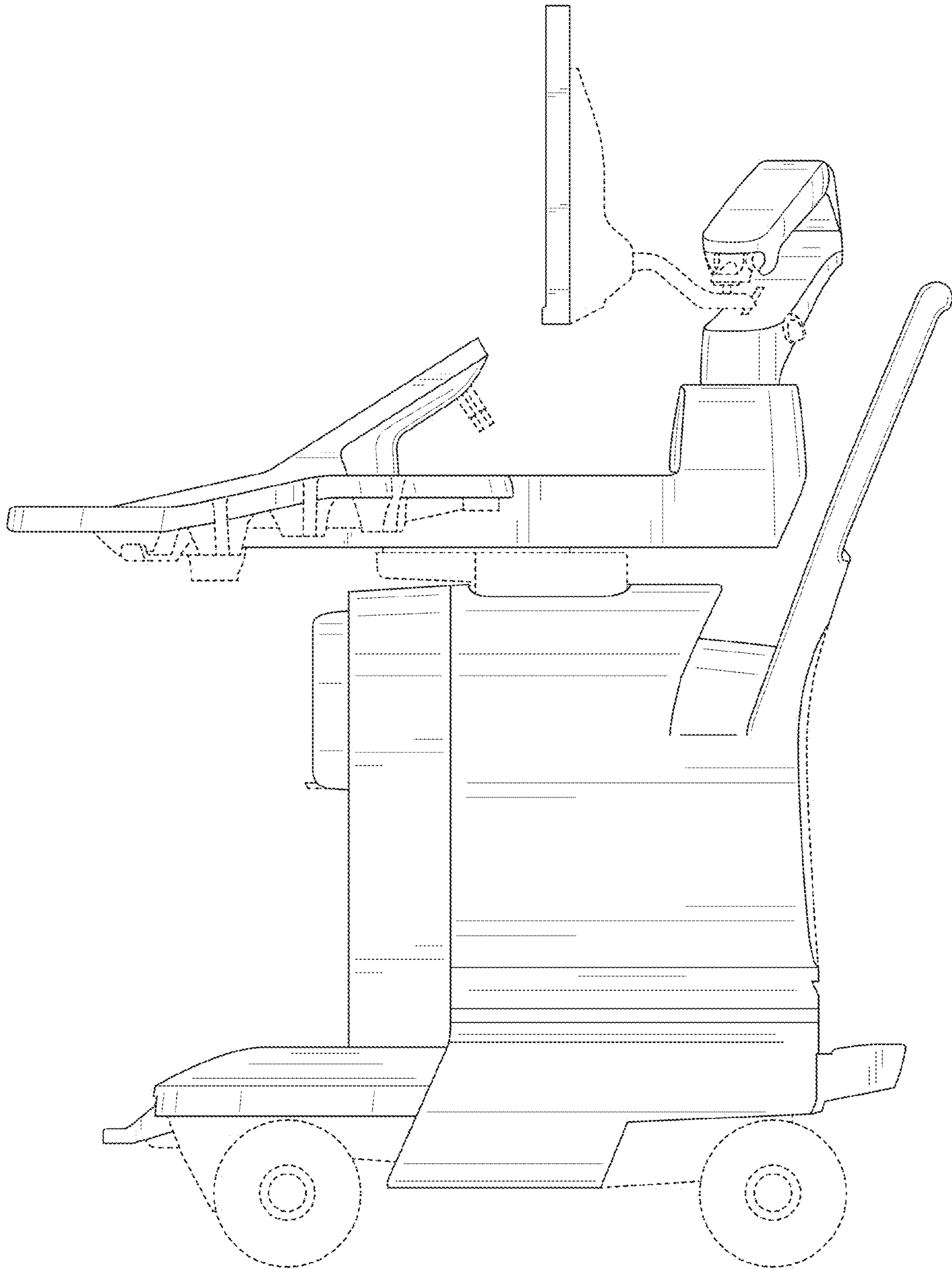


FIG. 5

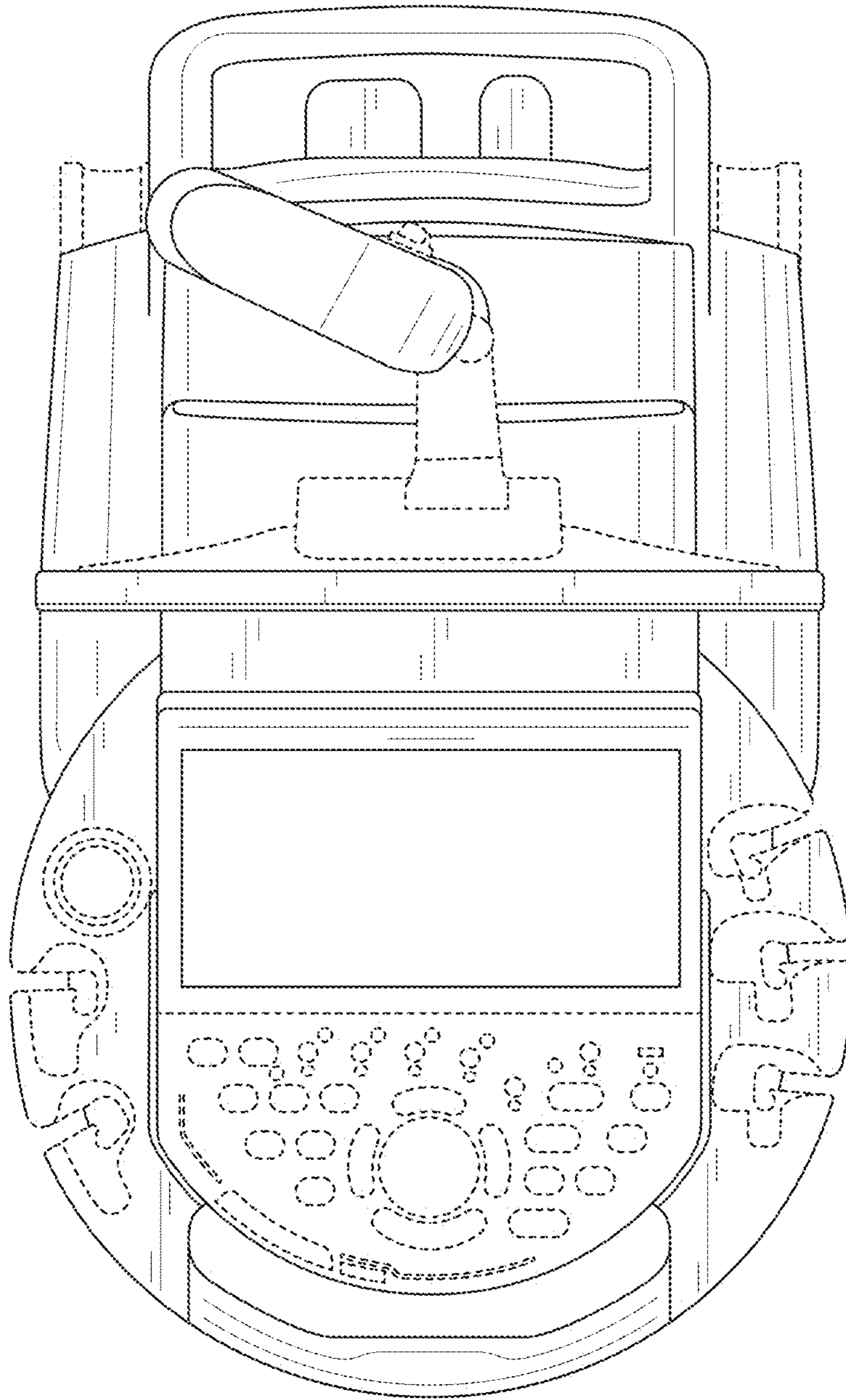


FIG. 6

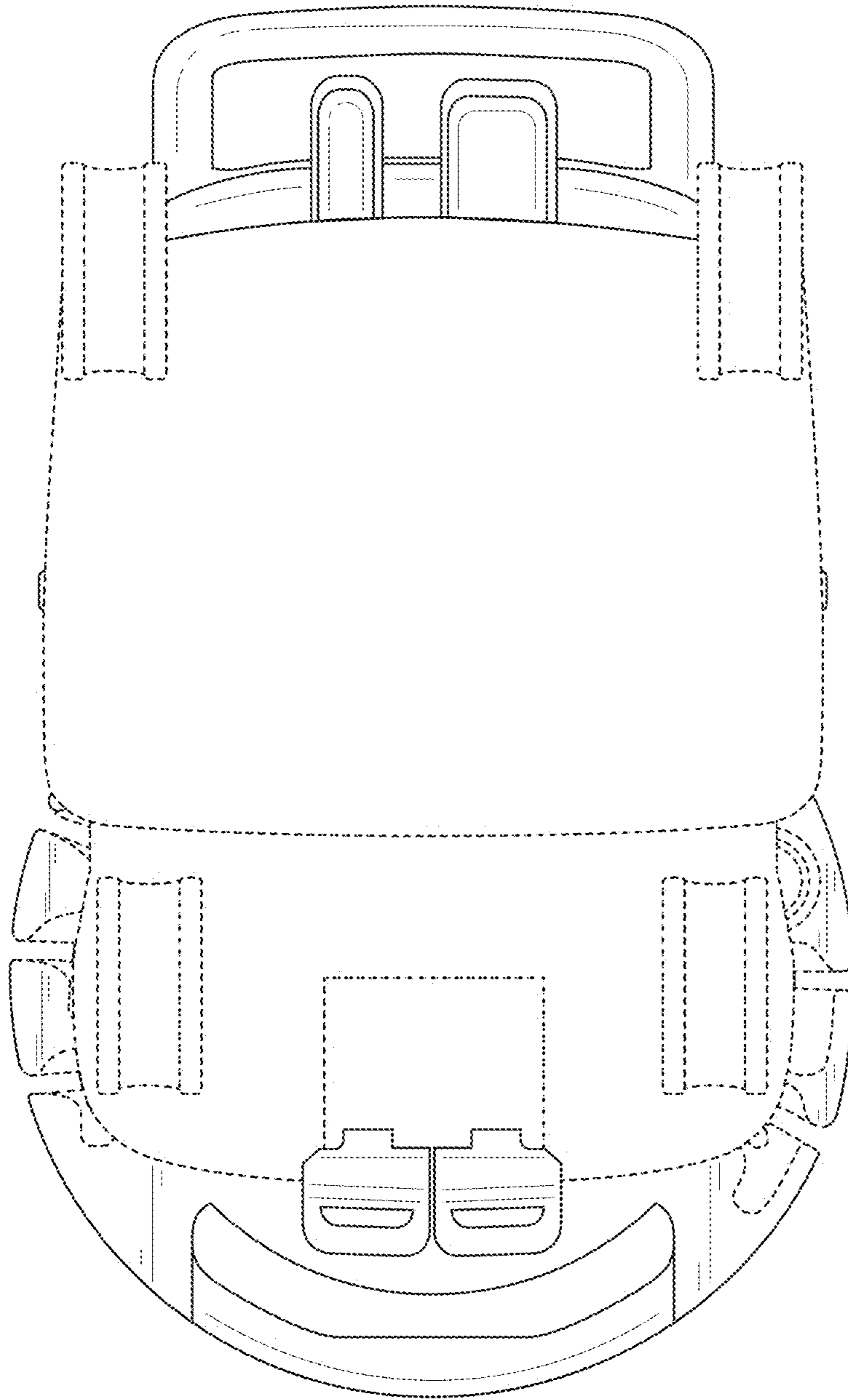


FIG. 7