



US00D932629S

(12) **United States Design Patent**
Ruff et al.

(10) **Patent No.:** **US D932,629 S**

(45) **Date of Patent:** **** Oct. 5, 2021**

(54) **CART**

(71) Applicant: **GE Precision Healthcare LLC**,
Milwaukee, WI (US)

(72) Inventors: **Christian Ruff**, St. Johann (AT);
Aurelie Boudier, Bois d'Arcy (FR);
Markus Paarhammer, Oberwang (AT);
Gerhard Hattinger, Oberwang (AT)

(73) Assignee: **GE Precision Healthcare LLC**,
Milwaukee, WI (US)

(**) Term: **15 Years**

(21) Appl. No.: **29/718,947**

(22) Filed: **Dec. 30, 2019**

(51) **LOC (13) Cl.** **24-00**

(52) **U.S. Cl.**
USPC **D24/185**; D34/14

(58) **Field of Classification Search**
USPC D34/12-27; D24/177, 185, 186
CPC B62B 3/00; B62B 3/1476; B62B 3/16;
B62B 3/1472; B62B 3/12; B62B 3/005;
B62B 2202/30; B62B 2203/07; B62B
5/067; B62B 5/002

See application file for complete search history.

(56) **References Cited**

U.S. PATENT DOCUMENTS

D302,585 S	*	8/1989	Elliott	D24/177
D553,324 S	*	10/2007	Lieblein	D34/14
D555,792 S	*	11/2007	Haymann	D24/177
D702,840 S	*	4/2014	Blomquist	D24/164
D707,360 S	*	6/2014	Kim	D24/185
D724,736 S	*	3/2015	Kim	D24/158
D726,324 S	*	4/2015	Duncan	D24/177

D735,868 S	*	8/2015	Mareguddi	D24/185
D812,231 S	*	3/2018	Duncan	D24/177
D833,701 S	*	11/2018	Conan	D34/18
D843,585 S	*	3/2019	Wu	D24/186
D853,564 S		7/2019	Henderson et al.		
D855,190 S	*	7/2019	Wu	D24/185
D878,600 S		3/2020	Pelissier et al.		
D917,701 S	*	4/2021	Chai	D24/186

* cited by examiner

Primary Examiner — Cynthia Ramirez

(74) *Attorney, Agent, or Firm* — McCoy Russell LLP

(57) **CLAIM**

The ornamental design for a cart, as shown and described.

DESCRIPTION

FIG. 1 is a perspective view of a cart according to our new design.

FIG. 2 is a front view of the cart.

FIG. 3 is a rear view of the cart.

FIG. 4 is a right side view of the cart.

FIG. 5 is a left side view of the cart.

FIG. 6 is a top view of the cart; and,

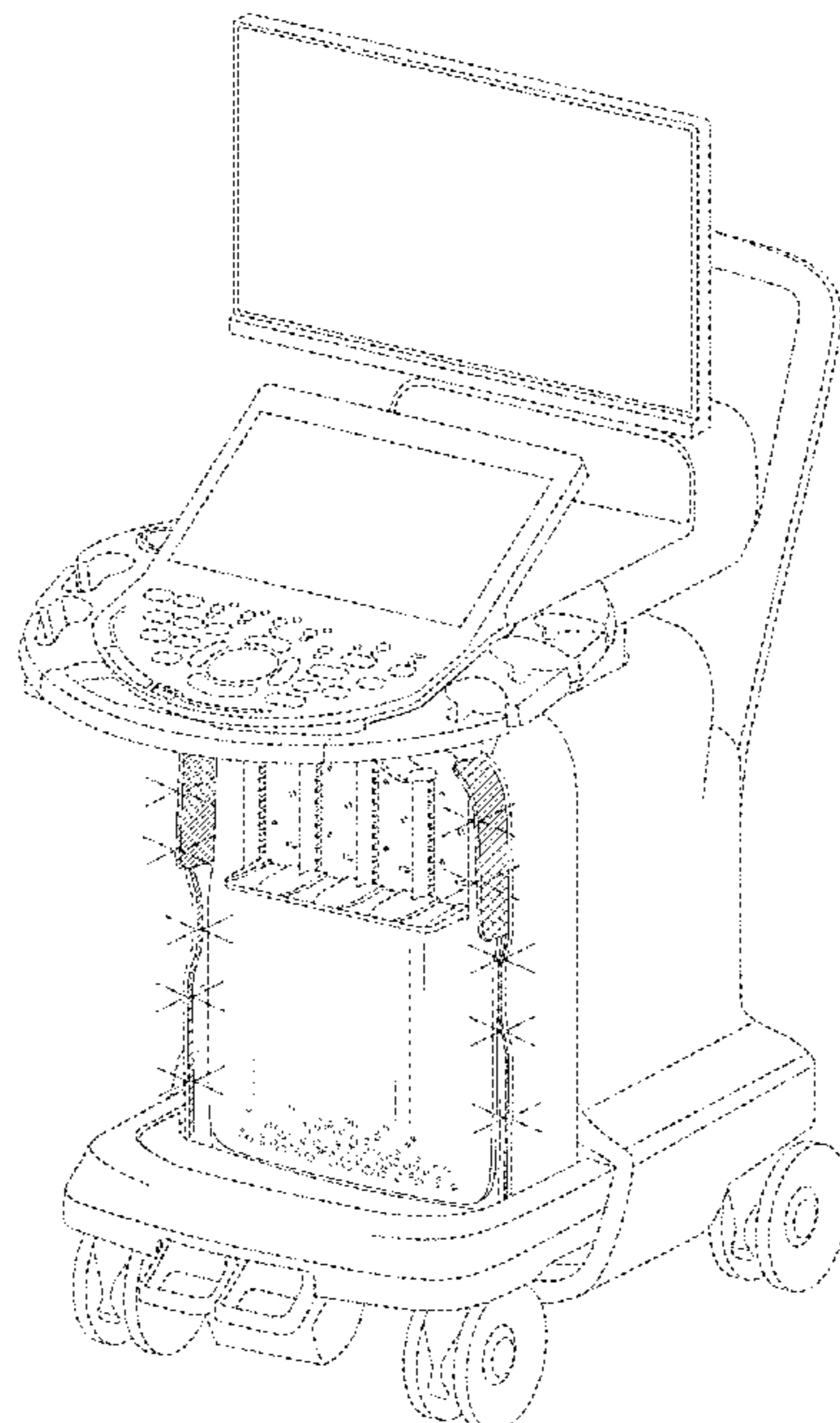
FIG. 7 is a bottom view of the cart.

The dash-dash broken lines in the drawings illustrate portions of the cart that form no part of the claimed design.

The illumination features indicated by oblique hatch shading in FIGS. 1-2 and 4-5 form part of the claimed design. Any pattern formed by the oblique hatch shading forms no part of the claimed design.

The dash-dot-dot-dash broken lines in FIGS. 1-2 and 4-5 represent light emission from the illumination features of the cart. The light emission is representative and the rays symbolic of the light emission forms no part of the claimed design.

1 Claim, 7 Drawing Sheets



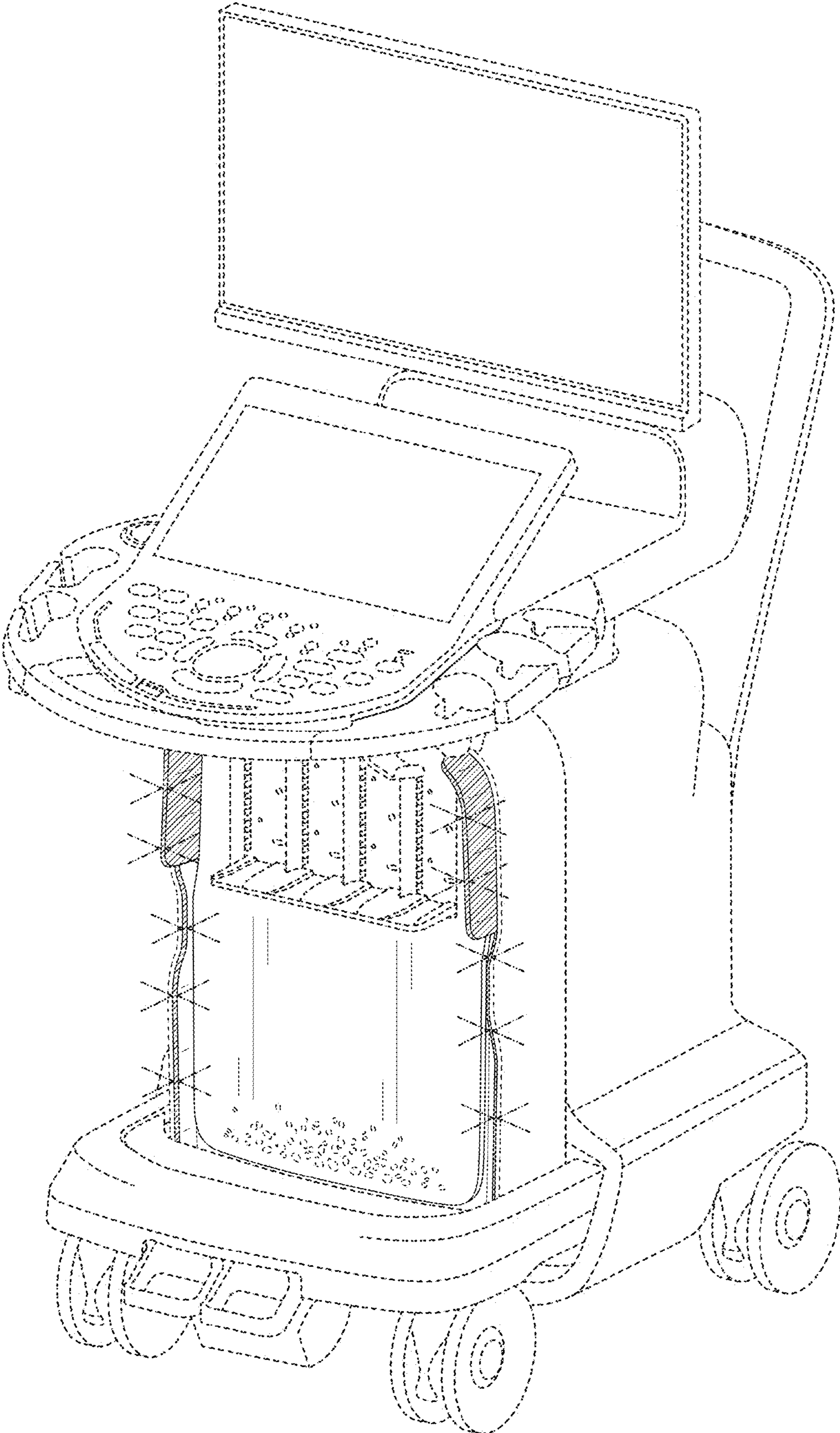


FIG. 1

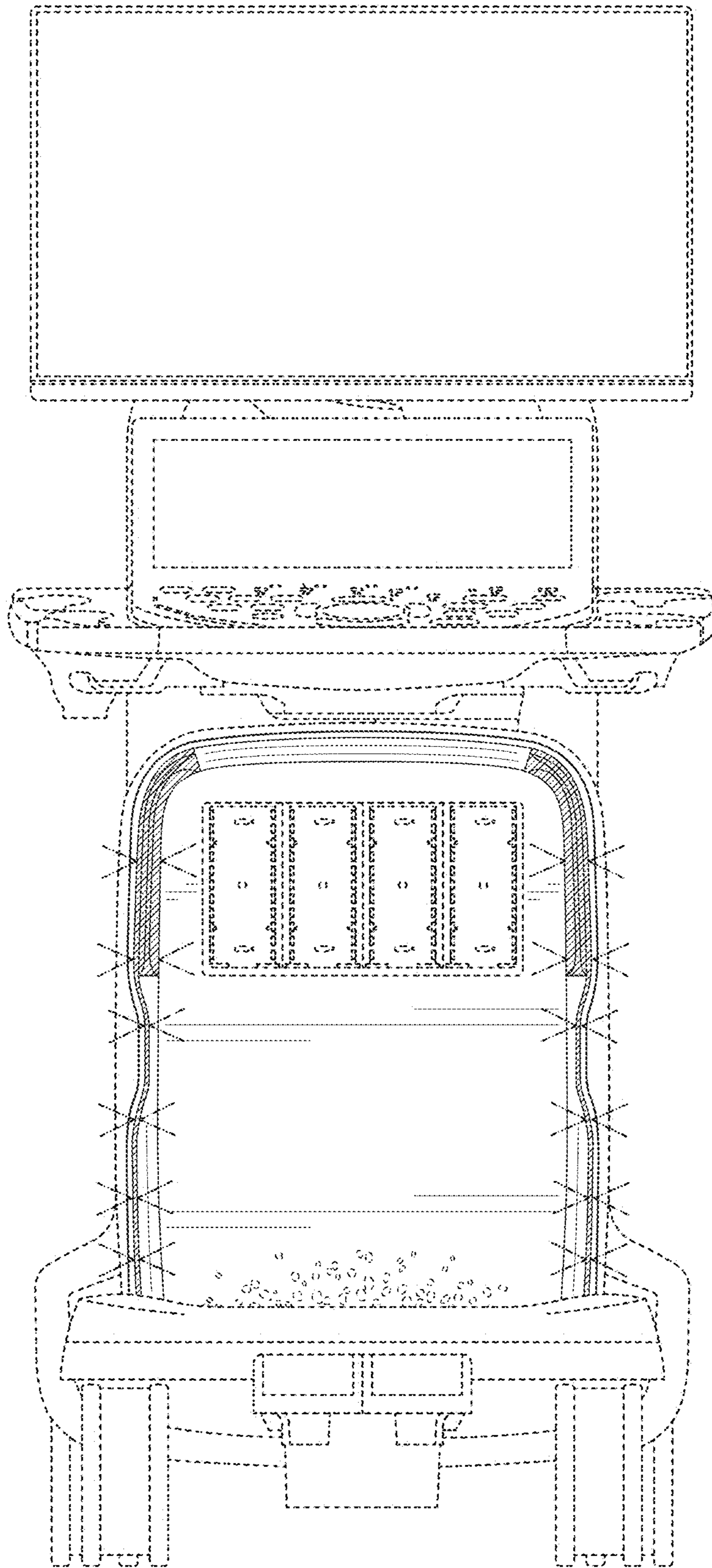


FIG. 2

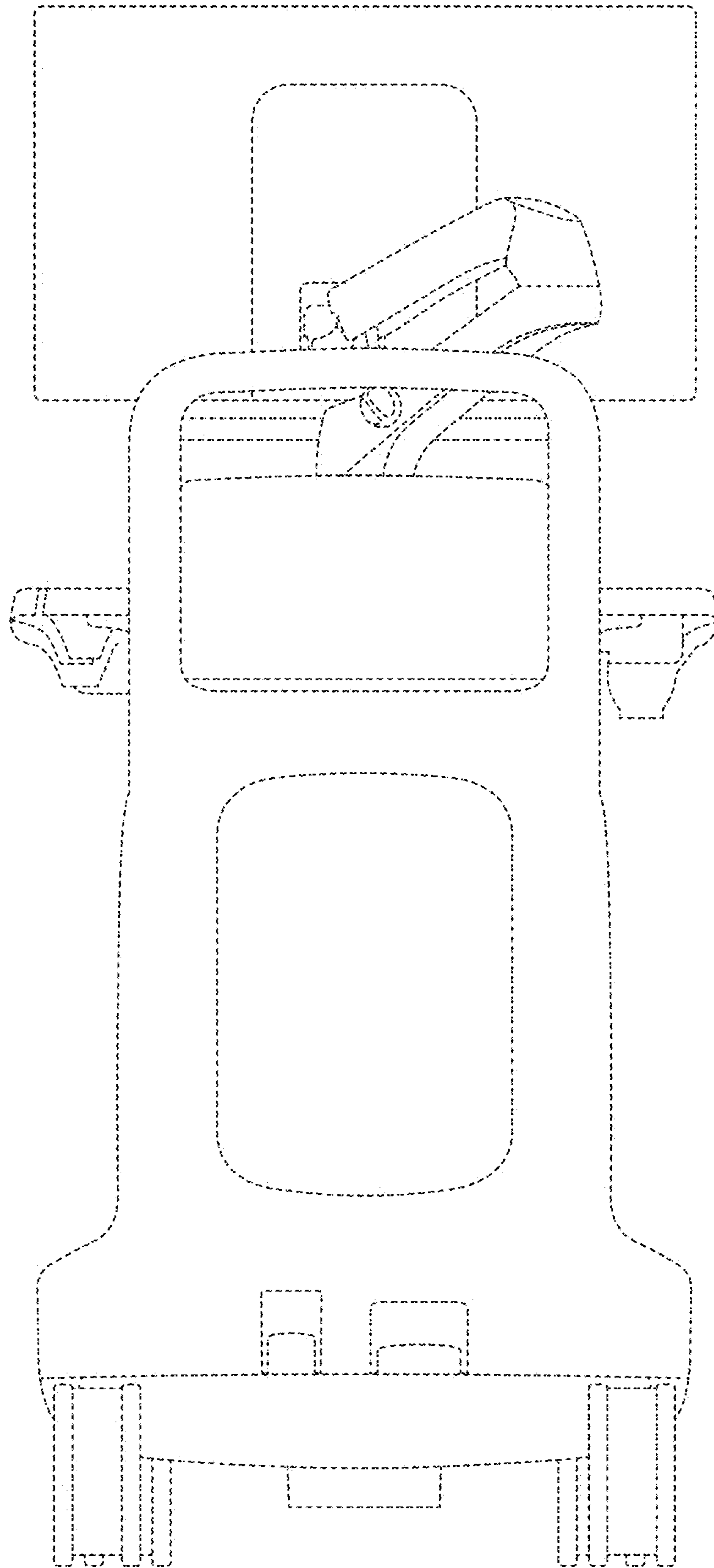


FIG. 3

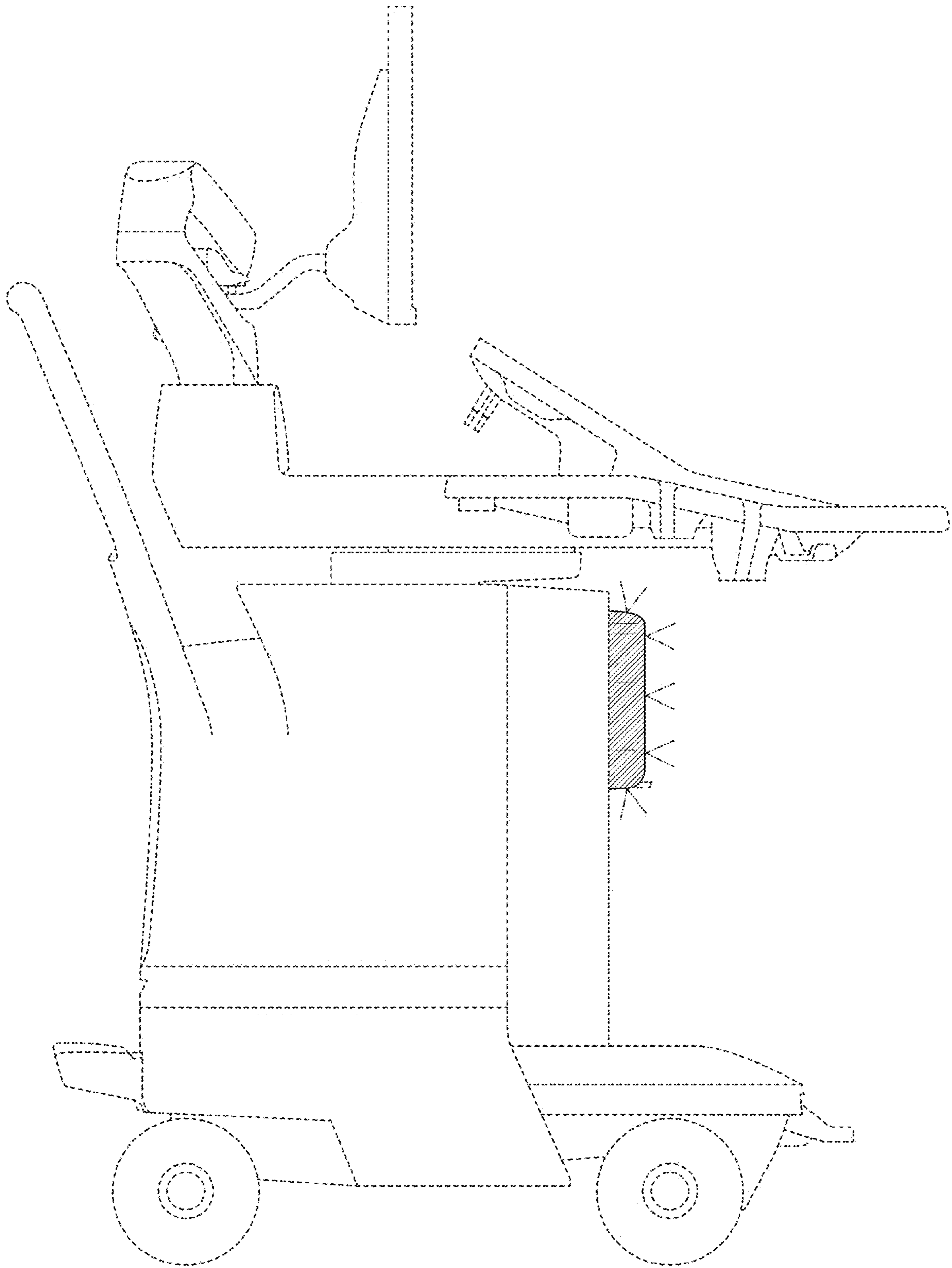


FIG. 4

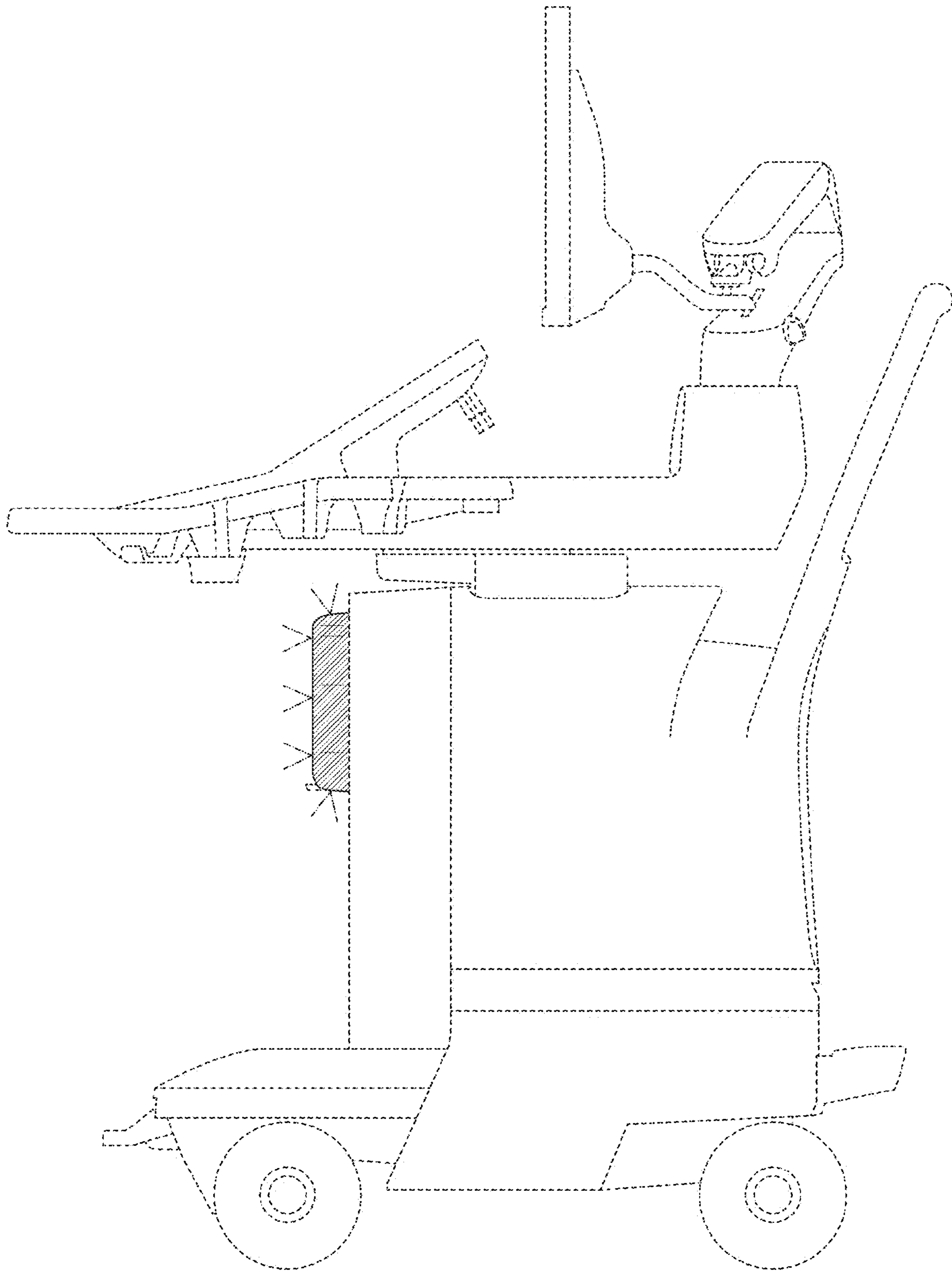


FIG. 5

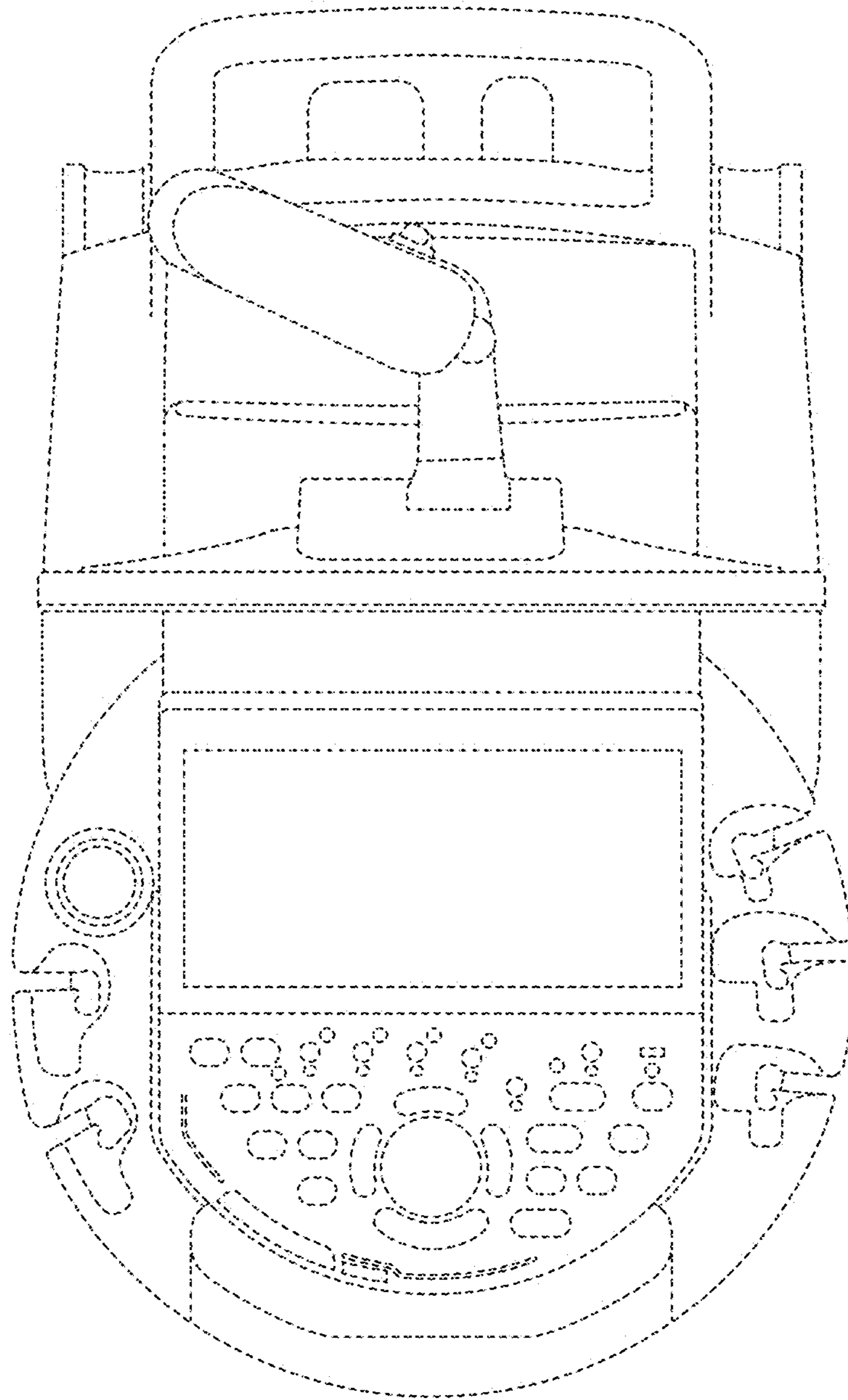


FIG. 6

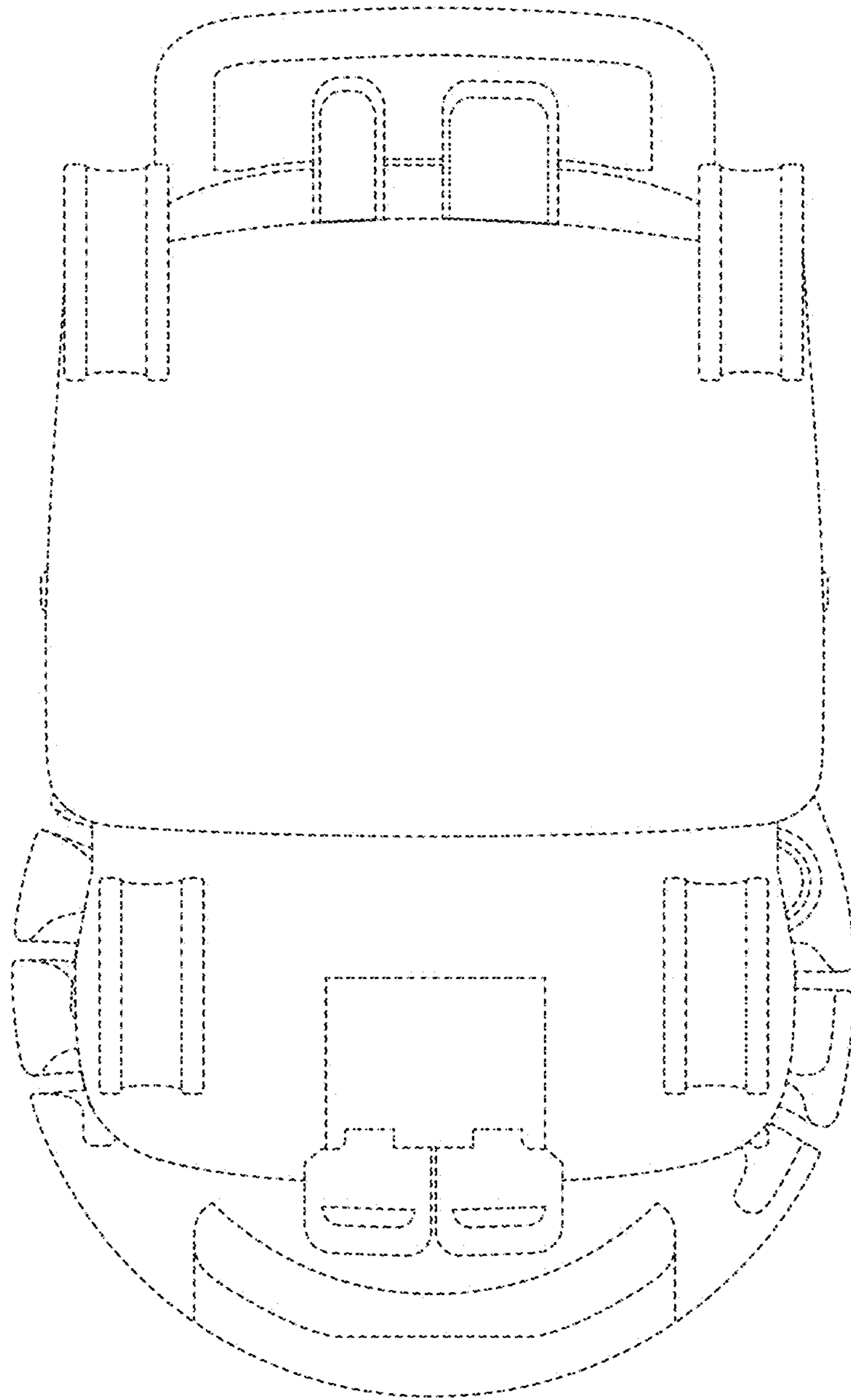


FIG. 7