



US00D932628S

(12) **United States Design Patent** (10) **Patent No.:** **US D932,628 S**  
**Mendoza et al.** (45) **Date of Patent:** **\*\* Oct. 5, 2021**

(54) **INSTRUMENT CART**  
(71) Applicant: **Auris Health, Inc.**, Redwood City, CA (US)  
(72) Inventors: **Jonathan Mendoza**, San Francisco, CA (US); **Frankie Vazquez**, San Francisco, CA (US); **Toby A. Stopper**, San Francisco, CA (US); **Wonbin Choi**, San Francisco, CA (US)  
(73) Assignee: **Auris Health, Inc.**, Redwood City, CA (US)

9,727,963 B2 8/2017 Mintz et al.  
9,737,371 B2 8/2017 Romo et al.  
9,737,373 B2 8/2017 Schuh  
9,744,335 B2 8/2017 Jiang  
9,763,741 B2 9/2017 Alvarez et al.  
9,788,910 B2 10/2017 Schuh  
9,818,681 B2 11/2017 Machida  
9,844,412 B2 12/2017 Bogusky et al.  
9,867,635 B2 1/2018 Alvarez et al.  
D810,305 S \* 2/2018 Zhang ..... D24/185  
9,918,681 B2 3/2018 Wallace et al.  
9,931,025 B1 4/2018 Graetzel et al.  
9,949,749 B2 4/2018 Noonan et al.  
9,955,986 B2 5/2018 Shah  
9,962,228 B2 \* 5/2018 Schuh ..... A61B 34/71  
9,980,785 B2 5/2018 Schuh  
9,993,313 B2 6/2018 Schuh et al.  
10,016,900 B1 7/2018 Meyer et al.

(\*\*) Term: **15 Years**

(21) Appl. No.: **29/634,021**  
(22) Filed: **Jan. 17, 2018**  
(51) **LOC (13) Cl.** ..... **24-02**  
(52) **U.S. Cl.**  
USPC ..... **D24/185**  
(58) **Field of Classification Search**  
USPC ..... D24/185, 107; D21/529; D15/199  
CPC ..... A61G 7/005; A61B 34/71; B25J 15/00;  
B25J 9/126; B25J 9/0009; B25J 13/084;  
B25J 17/0241  
See application file for complete search history.

*Primary Examiner* — Rhea Shields  
(74) *Attorney, Agent, or Firm* — Chang & Hale LLP

(57) **CLAIM**

The ornamental design for an instrument cart, as shown and described.

**DESCRIPTION**

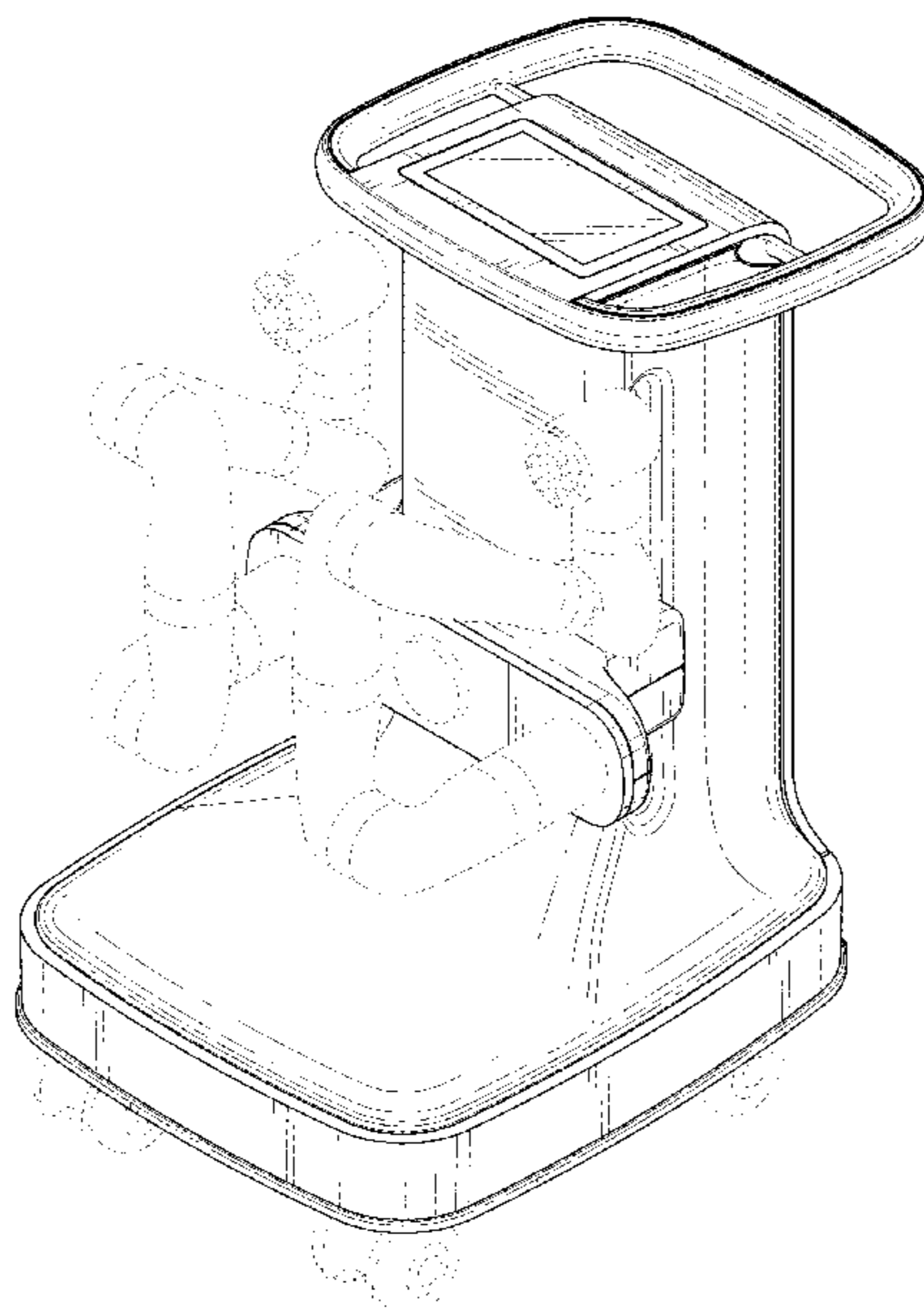
FIG. 1 is a top, front, left perspective view of an instrument cart;  
FIG. 2 is a front view thereof;  
FIG. 3 is a rear view thereof;  
FIG. 4 is a right side view thereof;  
FIG. 5 is a left side view thereof;  
FIG. 6 is a top view thereof; and,  
FIG. 7 is a bottom view thereof.  
In the drawings, the evenly spaced broken lines are for the purpose of illustrating portions of the instrument cart that form no part of the claimed design. The dash-dot broken lines are for the purpose of showing the boundaries of the claim that form no part of the claimed design.

(56) **References Cited**

**U.S. PATENT DOCUMENTS**

D438,952 S \* 3/2001 Cimino ..... D24/107  
D456,080 S \* 4/2002 Karlsson ..... D24/185  
D559,922 S \* 1/2008 Kim ..... D21/529  
D687,147 S \* 7/2013 Yoshida ..... D24/185  
D696,783 S \* 12/2013 Chung ..... D24/185  
9,561,083 B2 2/2017 Yu et al.  
9,622,827 B2 \* 4/2017 Yu ..... A61G 7/005  
9,636,184 B2 5/2017 Lee et al.  
9,713,509 B2 7/2017 Schuh et al.

**1 Claim, 7 Drawing Sheets**



(56)

References Cited

U.S. PATENT DOCUMENTS

10,022,192	B1	7/2018	Ummalaneni	2019/0000560	A1	1/2019	Berman et al.
10,145,747	B1	12/2018	Lin et al.	2019/0000576	A1	1/2019	Mintz et al.
10,159,532	B1	12/2018	Ummalaneni et al.	2019/0083183	A1	3/2019	Moll et al.
10,285,574	B2	5/2019	Landey et al.	2019/0099901	A1*	4/2019	Niu ..... B25J 9/126
10,299,870	B2	5/2019	Connolly et al.	2019/0110839	A1	4/2019	Rafii-Tari et al.
10,426,559	B2	10/2019	Graetzel et al.	2019/0151148	A1	4/2019	Alvarez et al.
10,434,660	B2	10/2019	Meyer	2019/0167366	A1	6/2019	Ummalaneni
10,464,209	B2	11/2019	Ho et al.	2019/0175009	A1	6/2019	Mintz
10,470,830	B2	11/2019	Hill	2019/0175062	A1	6/2019	Rafii-Tari et al.
10,482,599	B2	11/2019	Mintz et al.	2019/0175799	A1	6/2019	Hsu
10,517,692	B2	12/2019	Eyre et al.	2019/0183585	A1	6/2019	Rafii-Tari et al.
D873,878	S *	1/2020	Vazquez ..... D15/199	2019/0183587	A1	6/2019	Rafii-Tari et al.
10,524,866	B2	1/2020	Srinivasan	2019/0216548	A1	7/2019	Ummalaneni
10,539,478	B2	1/2020	Lin	2019/0216576	A1	7/2019	Eyre
10,555,778	B2	2/2020	Ummalaneni et al.	2019/0223974	A1	7/2019	Romo
D877,342	S *	3/2020	Canady ..... D24/185	2019/0228525	A1	7/2019	Mintz et al.
D877,343	S *	3/2020	Canady ..... D24/185	2019/0246882	A1	8/2019	Graetzel et al.
10,639,114	B2	5/2020	Schuh	2019/0262086	A1	8/2019	Connolly et al.
10,667,875	B2	6/2020	DeFonzo	2019/0269468	A1	9/2019	Hsu et al.
2010/0145510	A1*	6/2010	Ihrke ..... B25J 17/0241 700/245	2019/0274764	A1	9/2019	Romo
2014/0142591	A1	5/2014	Alvarez et al.	2019/0290109	A1	9/2019	Agrawal et al.
2014/0207279	A1*	7/2014	Miyauchi ..... B25J 13/084 700/253	2019/0298160	A1	10/2019	Ummalaneni et al.
2014/0309649	A1	10/2014	Alvarez et al.	2019/0298460	A1	10/2019	Al-Jadda
2014/0357984	A1	12/2014	Wallace et al.	2019/0298465	A1	10/2019	Chin
2014/0364870	A1	12/2014	Alvarez et al.	2019/0328213	A1	10/2019	Landey et al.
2014/0379000	A1	12/2014	Romo et al.	2019/0336238	A1	11/2019	Yu
2015/0051592	A1	2/2015	Kintz	2019/0365201	A1	12/2019	Noonan et al.
2015/0101442	A1	4/2015	Romo	2019/0365209	A1	12/2019	Ye et al.
2015/0119638	A1	4/2015	Yu et al.	2019/0365479	A1	12/2019	Rafii-Tari
2015/0164594	A1	6/2015	Romo et al.	2019/0365486	A1	12/2019	Srinivasan et al.
2015/0164596	A1	6/2015	Romo	2019/0374297	A1	12/2019	Wallace et al.
2015/0335480	A1	11/2015	Alvarez et al.	2019/0375383	A1	12/2019	Alvarez
2016/0001038	A1	1/2016	Romo et al.	2019/0380787	A1	12/2019	Ye
2016/0270865	A1	9/2016	Landey et al.	2019/0380797	A1	12/2019	Yu
2016/0287279	A1	10/2016	Bovay et al.	2020/0000533	A1	1/2020	Schuh
2016/0296294	A1	10/2016	Moll et al.	2020/0022767	A1	1/2020	Hill
2016/0374541	A1	12/2016	Agrawal et al.	2020/0038123	A1	2/2020	Graetzel
2017/0007337	A1	1/2017	Dan	2020/0039086	A1	2/2020	Meyer
2017/0100199	A1	4/2017	Yu et al.	2020/0046434	A1	2/2020	Graetzel
2017/0119413	A1	5/2017	Romo	2020/0054408	A1	2/2020	Schuh et al.
2017/0119481	A1	5/2017	Romo et al.	2020/0060516	A1	2/2020	Baez
2017/0165011	A1	6/2017	Bovay et al.	2020/0085516	A1	3/2020	DeFonzo
2017/0172673	A1	6/2017	Yu et al.	2020/0093549	A1	3/2020	Chin
2017/0202627	A1	7/2017	Sramek et al.	2020/0093554	A1	3/2020	Schuh
2017/0209073	A1	7/2017	Sramek et al.	2020/0100845	A1	4/2020	Julian
2017/0290631	A1	10/2017	Lee et al.	2020/0100853	A1	4/2020	Ho
2017/0333679	A1	11/2017	Jiang	2020/0100855	A1	4/2020	Leparmentier
2017/0340396	A1	11/2017	Romo et al.	2020/0101264	A1	4/2020	Jiang
2017/0365055	A1	12/2017	Mintz et al.	2020/0107894	A1	4/2020	Wallace
2017/0367782	A1	12/2017	Schuh et al.	2020/0121502	A1	4/2020	Kintz
2018/0025666	A1	1/2018	Ho et al.	2020/0146769	A1	5/2020	Eyre
2018/0177383	A1	6/2018	Noonan et al.	2020/0170720	A1	6/2020	Ummalaneni
2018/0177556	A1	6/2018	Noonan et al.	2020/0171660	A1	6/2020	Ho
2018/0177561	A1	6/2018	Mintz et al.	2020/0188043	A1	6/2020	Yu
2018/0207795	A1*	7/2018	Haddadin ..... B25J 9/0009	2020/0197112	A1	6/2020	Chin
2018/0214011	A1	8/2018	Graetzel et al.	2020/0206472	A1	7/2020	Ma
2018/0221038	A1	8/2018	Noonan et al.	2020/0217733	A1	7/2020	Lin
2018/0221039	A1	8/2018	Shah	2020/0222134	A1	7/2020	Schuh
2018/0250083	A1	9/2018	Schuh et al.	2020/0237458	A1	7/2020	DeFonzo
2018/0271616	A1	9/2018	Schuh et al.	2020/0261172	A1	8/2020	Romo
2018/0279852	A1	10/2018	Rafii-Tari et al.	2020/0268459	A1	8/2020	Noonan et al.
2018/0280660	A1	10/2018	Landey et al.	2020/0268460	A1	8/2020	Tse
2018/0289431	A1	10/2018	Draper et al.	2020/0281787	A1	9/2020	Ruiz
2018/0325499	A1	11/2018	Landey et al.	2020/0297437	A1	9/2020	Schuh
2018/0333044	A1	11/2018	Jenkins	2020/0305922	A1	10/2020	Yan et al.
2018/0360435	A1	12/2018	Romo	2020/0305983	A1	10/2020	Yampolsky
2018/0370026	A1*	12/2018	Reese ..... B25J 15/00	2020/0305989	A1	10/2020	Schuh
2019/0000559	A1	1/2019	Berman et al.	2020/0315717	A1	10/2020	Bovay
				2020/0315723	A1	10/2020	Hassan
				2020/0323596	A1	10/2020	Moll
				2020/0330167	A1	10/2020	Romo
				2020/0345216	A1	11/2020	Jenkins

\* cited by examiner

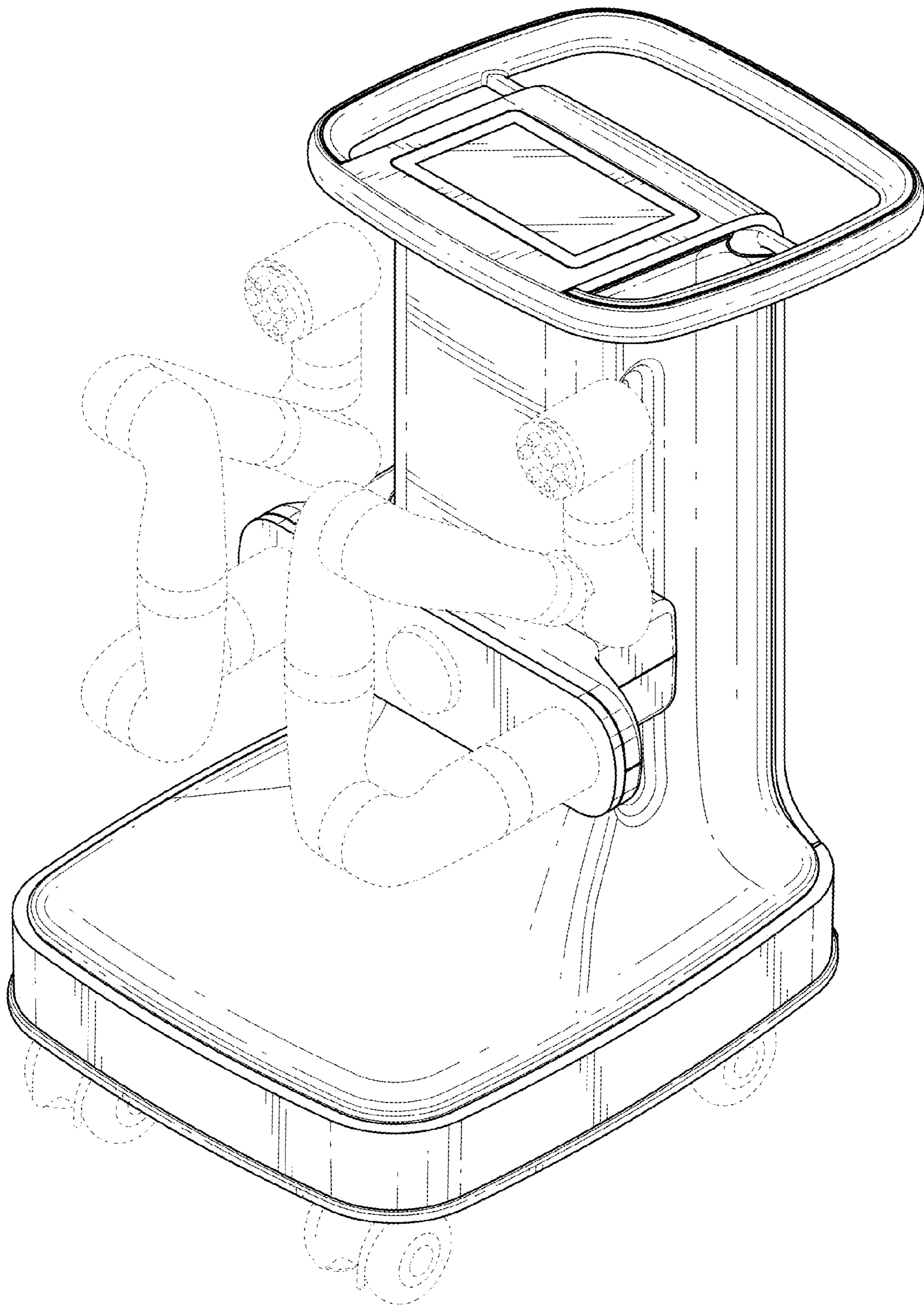


FIG. 1

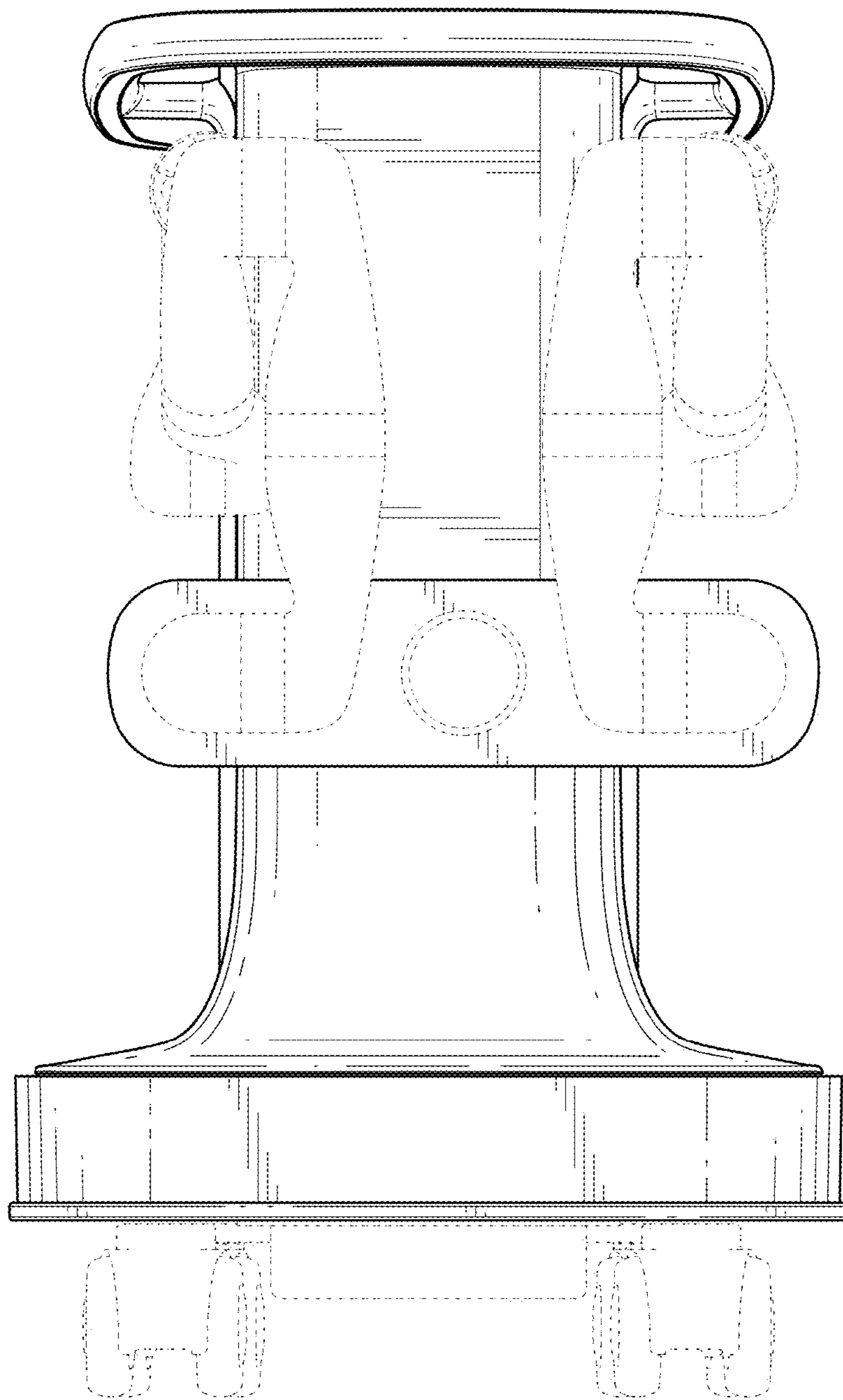


FIG. 2

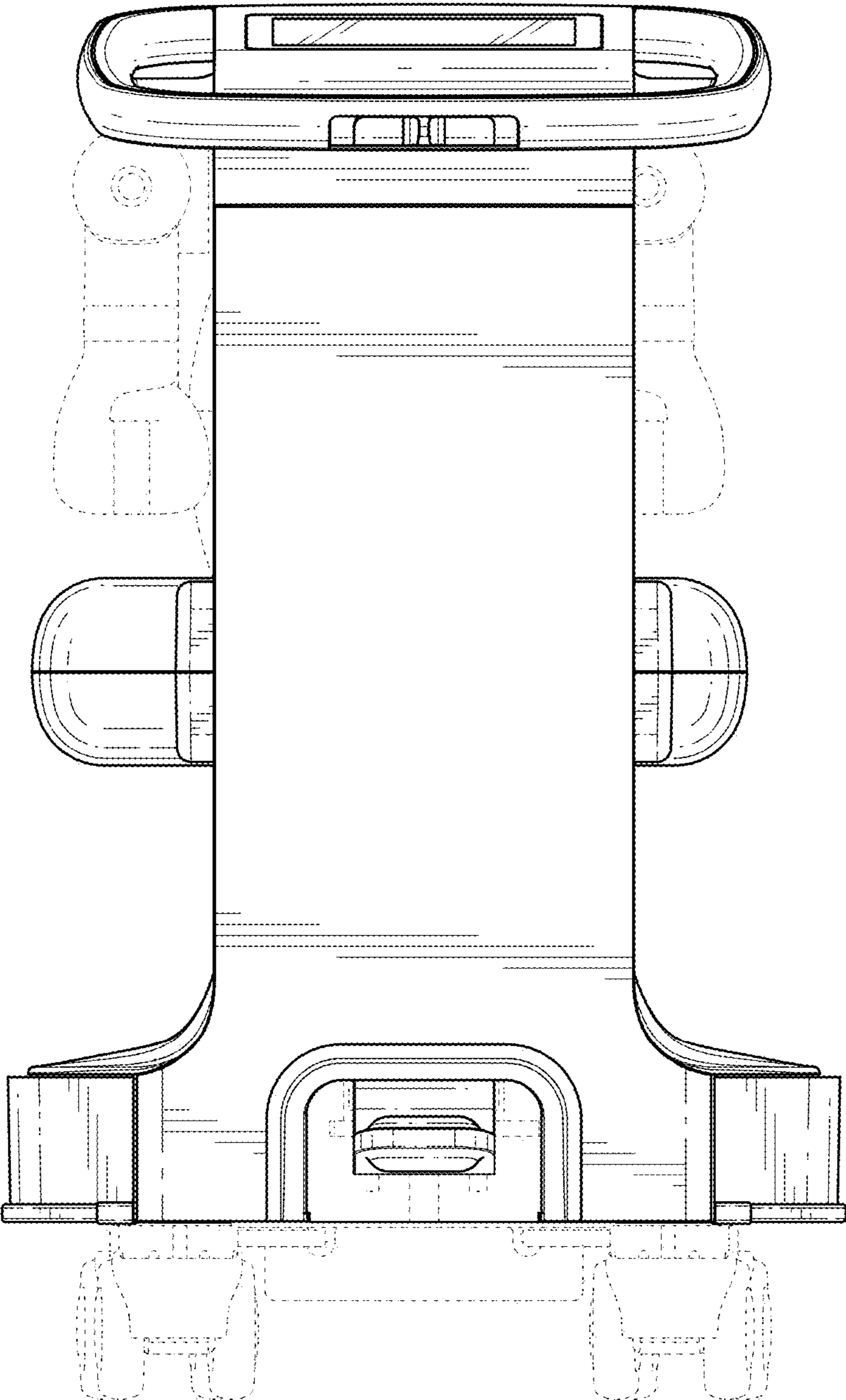


FIG. 3

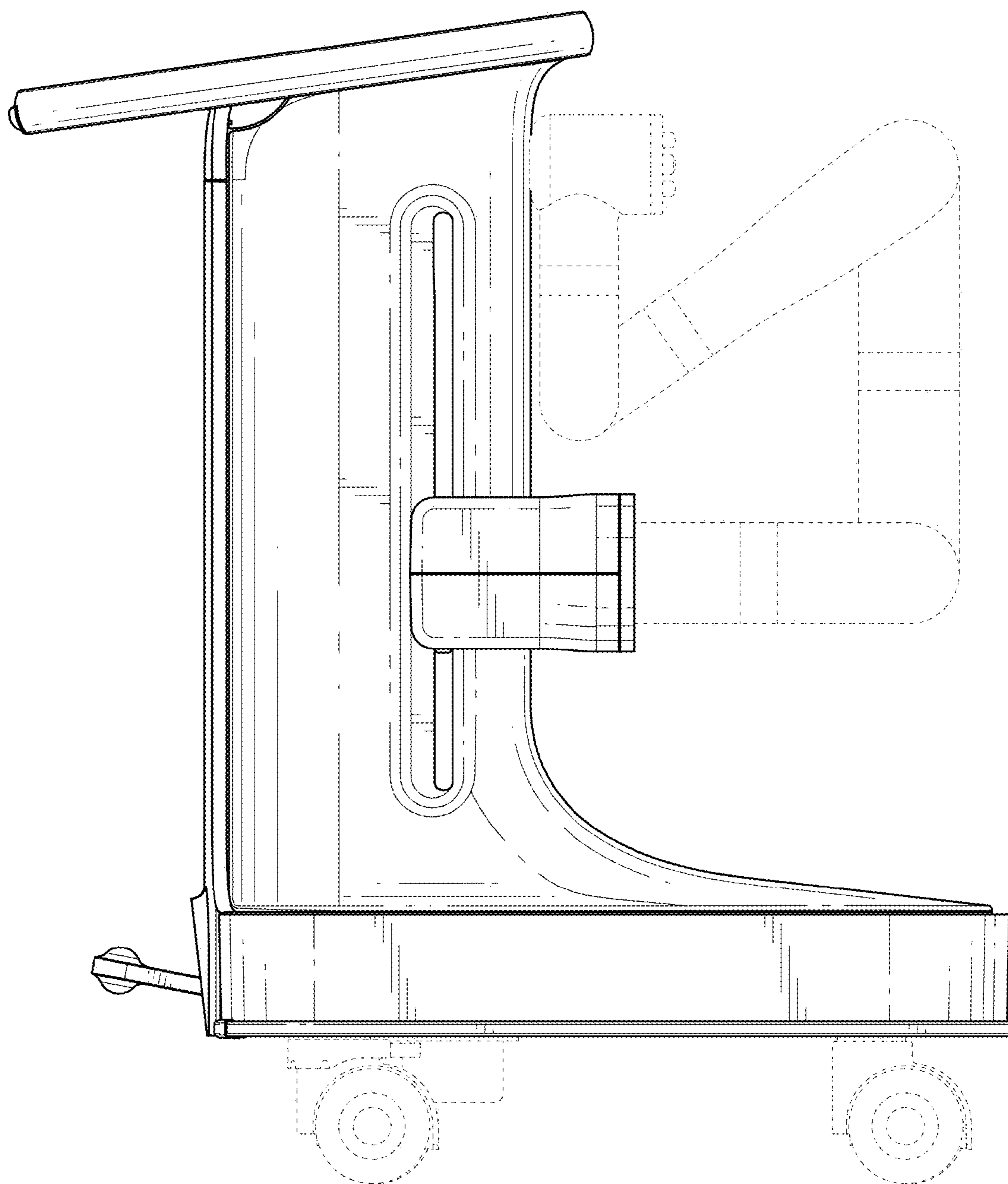


FIG. 4

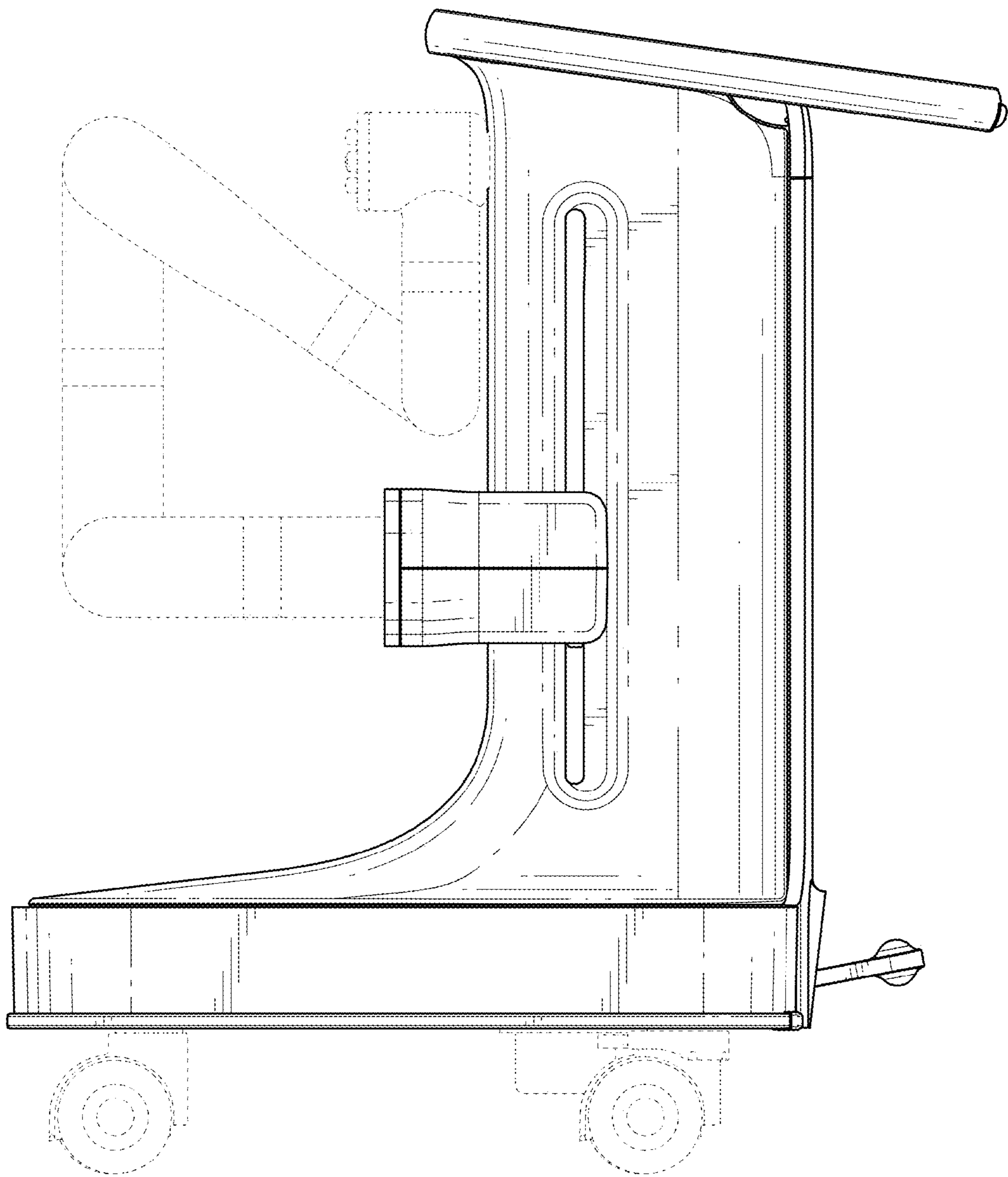


FIG. 5

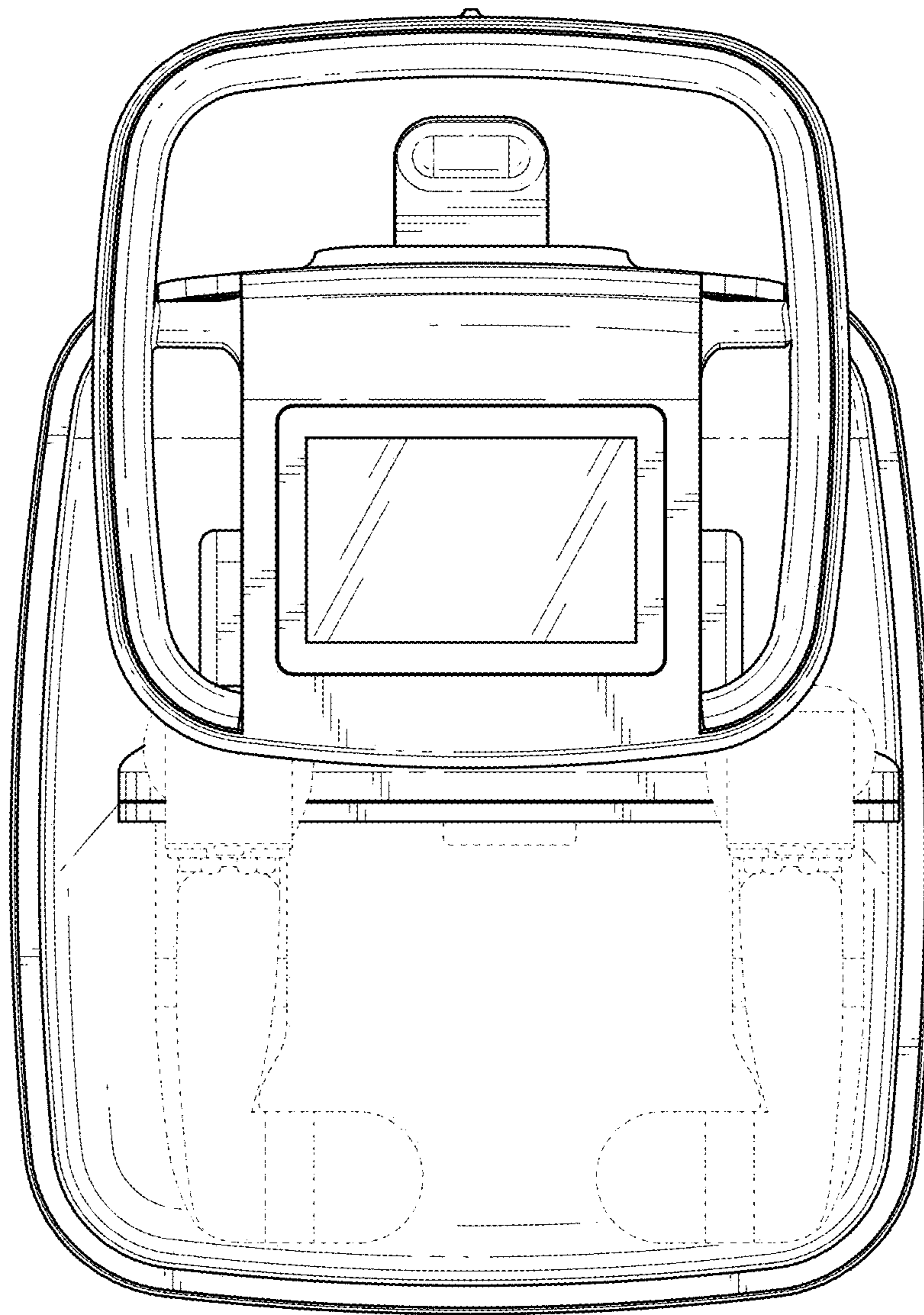


FIG. 6



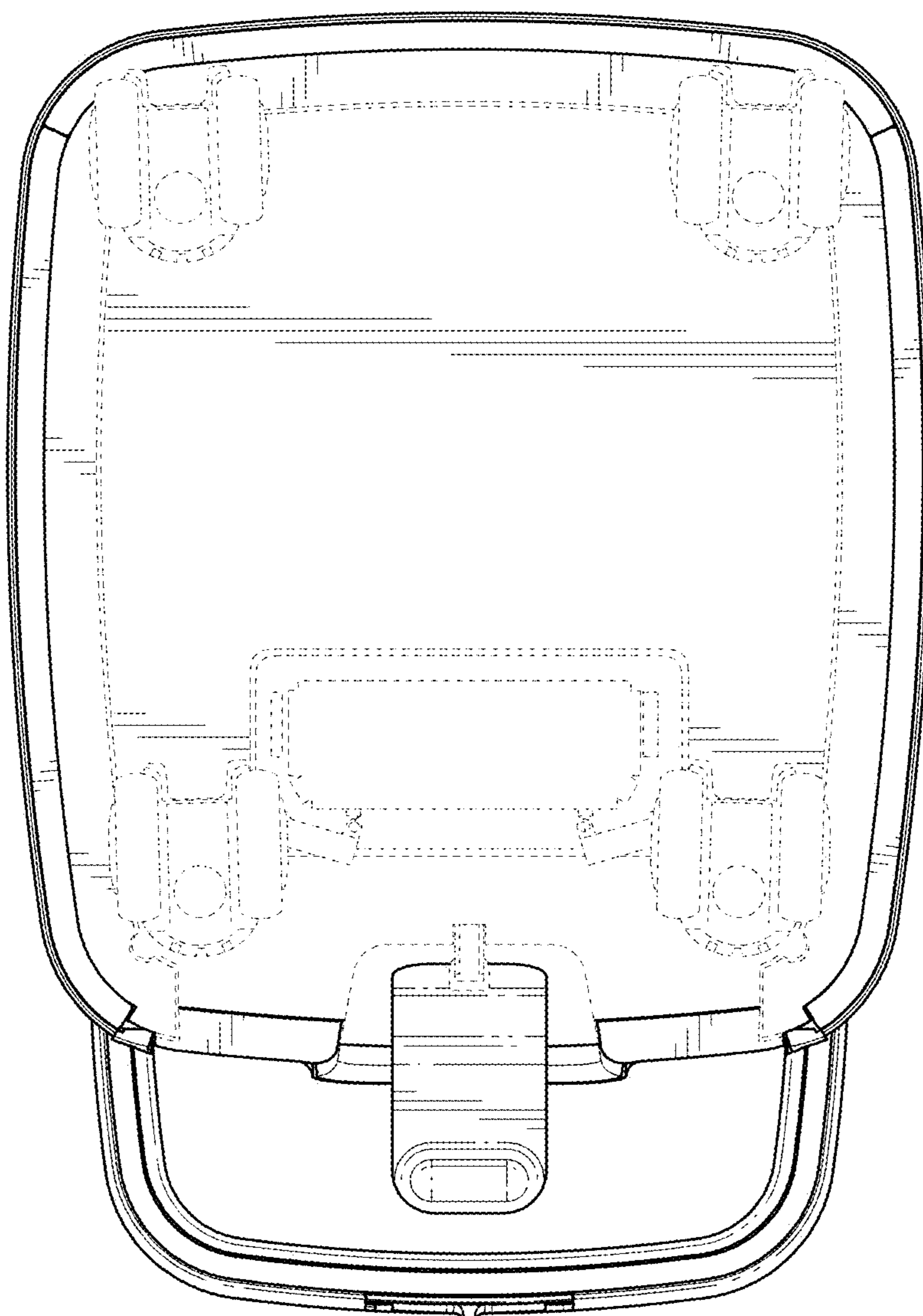


FIG. 7