



US00D932627S

(12) **United States Design Patent**
Chung

(10) **Patent No.:** **US D932,627 S**

(45) **Date of Patent:** **** Oct. 5, 2021**

(54) **MANDIBULAR ADVANCEMENT DEVICE FOR ANTI SNORING**

(71) Applicant: **Ji-Young Chung**, Namyangju-si (KR)

(72) Inventor: **Ji-Young Chung**, Namyangju-si (KR)

(**) Term: **15 Years**

(21) Appl. No.: **29/707,803**

(22) Filed: **Oct. 1, 2019**

(30) **Foreign Application Priority Data**

Apr. 9, 2019 (KR) 30-2019-0016756

(51) **LOC (13) Cl.** **24-02**

(52) **U.S. Cl.**
USPC **D24/181**

(58) **Field of Classification Search**
USPC D24/180-182, 110, 110.5, 176; D29/108
(Continued)

(56) **References Cited**

U.S. PATENT DOCUMENTS

2,089,715 A * 8/1937 Simmons A61C 9/0006
433/45
6,041,784 A * 3/2000 Halstrom A61F 5/566
128/848

(Continued)

FOREIGN PATENT DOCUMENTS

CN 303937028 * 11/2016
KR 300886716.0000 * 12/2016
KR 301022457.0000 * 9/2019

OTHER PUBLICATIONS

“dreamTAP” by Airway Management. Youtube. Posting date: Mar. 7, 2016. Retrieval date: Jan. 27, 2021. Retrieved from internet: <https://www.youtube.com/watch?v=aDx5ACdVKAo> (Year: 2016).*

(Continued)

Primary Examiner — Lilyana Bekic

Assistant Examiner — Lee D. Starr

(74) *Attorney, Agent, or Firm* — Ladas & Parry LLP

(57) **CLAIM**

I claim the ornamental design for a mandibular advancement device for anti snoring, as shown and described.

DESCRIPTION

FIG. 1 is the front perspective view of a mandibular advancement device for anti snoring showing my new design;

FIG. 2 is the front view thereof;

FIG. 3 is the rear view thereof;

FIG. 4 is the left-side view thereof;

FIG. 5 is the right-side view thereof;

FIG. 6 is the top view thereof;

FIG. 7 is the bottom view thereof;

FIG. 8 is the rear and bottom perspective view thereof;

FIG. 9 is the cross-sectional view taken in the direction of line 9-9 of FIG. 2;

FIG. 10 is an enlarged exploded view of the maxillary and mandibular portions shown removed from the mandibular advancement device for anti snoring for ease of illustration; FIG. 11 is an enlarged perspective view thereof, shown assembled.

FIG. 12 is an enlarged front view thereof;

FIG. 13 is an enlarged rear view thereof;

FIG. 14 is an enlarged left side view thereof;

FIG. 15 is an enlarged right side view thereof;

FIG. 16 is an enlarged top view thereof;

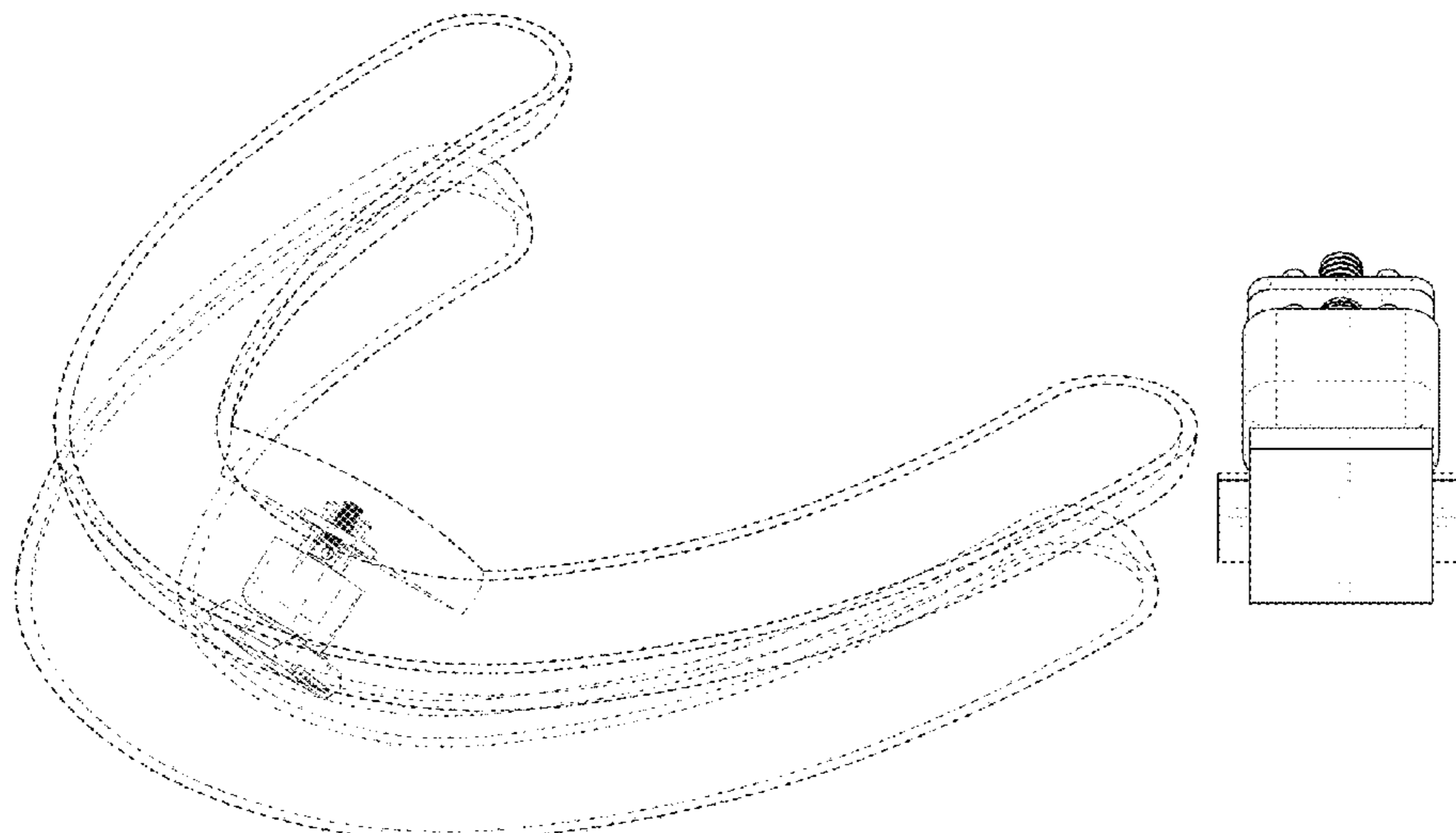
FIG. 17 is an enlarged bottom view thereof;

FIG. 18 is enlarged rear and bottom perspective view thereof; and,

FIG. 19 is an enlarged cross-sectional view of the maxillary and mandibular portions shown removed from the mandibular advancement device for anti snoring of FIG. 9.

The broken lines in the figures show portions of a mandibular advancement device for anti snoring which form no part of the claimed design.

1 Claim, 13 Drawing Sheets



(58) **Field of Classification Search**

CPC A61C 7/08; A61C 7/36; A61C 9/0006;
 A61C 19/005; A61C 19/006; A61C
 19/06; A61C 19/063; A61C 19/066; A61C
 2201/007

See application file for complete search history.

2012/0145166 A1* 6/2012 Fallon A61F 5/566
 128/848
 2012/0255563 A1* 10/2012 Thornton A61C 7/08
 128/861
 2013/0295514 A1* 11/2013 Koklu A61C 7/08
 433/6
 2015/0216715 A1* 8/2015 Chung A61F 5/566
 128/848
 2018/0250100 A1* 9/2018 Ross A61C 7/36
 2020/0121493 A1* 4/2020 Yukita A61F 5/566
 2020/0121494 A1* 4/2020 Kusakawa A61F 5/56
 2020/0129278 A1* 4/2020 Hu A61C 19/05

(56) **References Cited**

U.S. PATENT DOCUMENTS

6,893,259 B1* 5/2005 Reizenon A61C 17/0211
 433/29
 D554,260 S * 10/2007 Diacopoulos D24/181
 D799,049 S * 10/2017 Farrell D24/181
 D888,249 S * 6/2020 Bruss A61F 5/566
 D24/181
 2006/0174897 A1* 8/2006 Sarkisian A61F 5/566
 128/859
 2008/0072915 A1* 3/2008 Nelissen A61F 5/566
 128/848
 2012/0024297 A1* 2/2012 Hegde A61F 5/566
 128/848

OTHER PUBLICATIONS

“SnoreRx #1 FDA Certified Mouthguard for the Treatment of Snoring” by SnoreRx. Youtube. Posting date: Oct. 10, 2014. Retrieval date: Jan. 27, 2021. Retrieved from internet: <https://www.youtube.com/watch?v=4ica7AZpyYA> (Year: 2014).*

* cited by examiner

FIG. 1

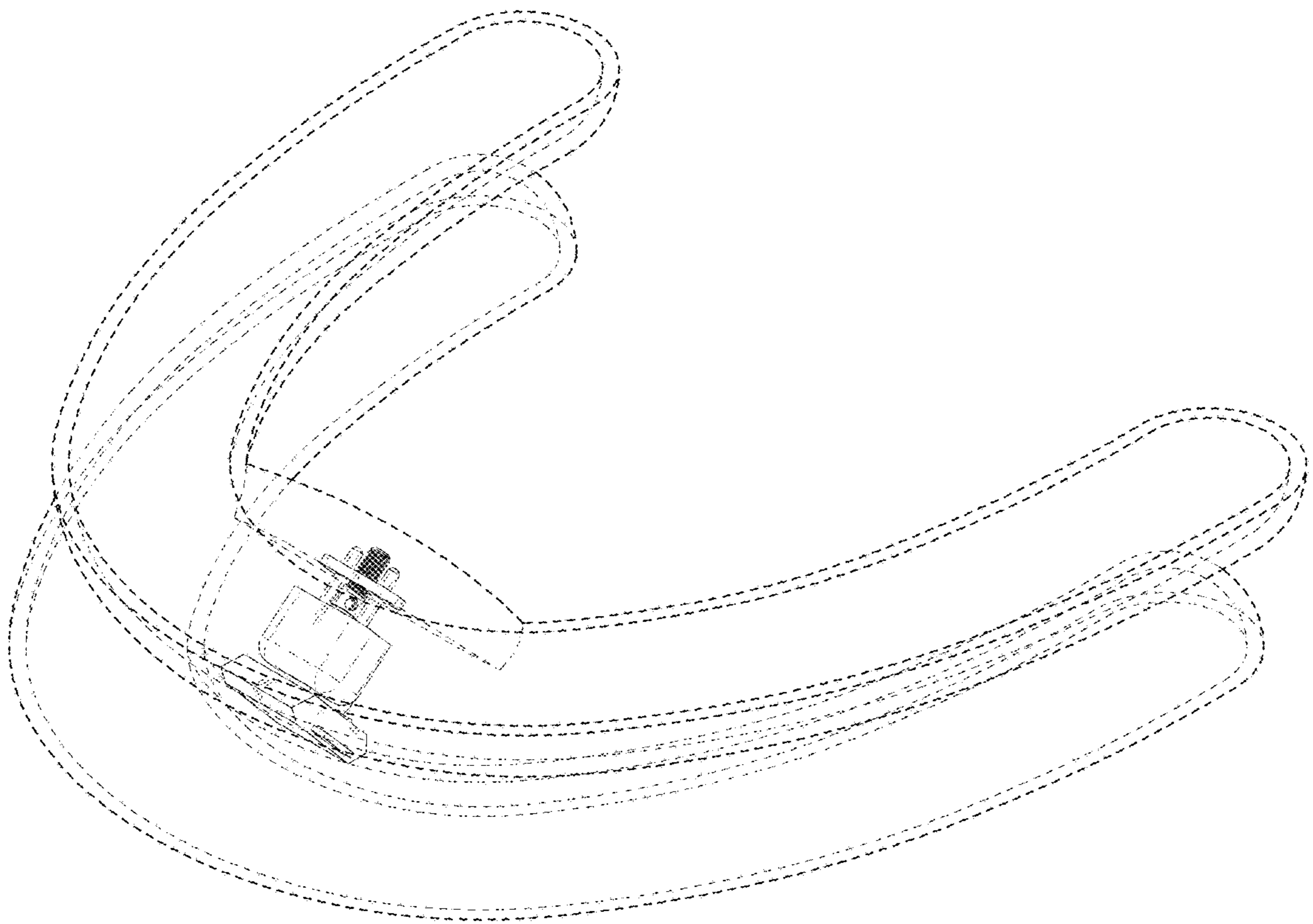


FIG. 2

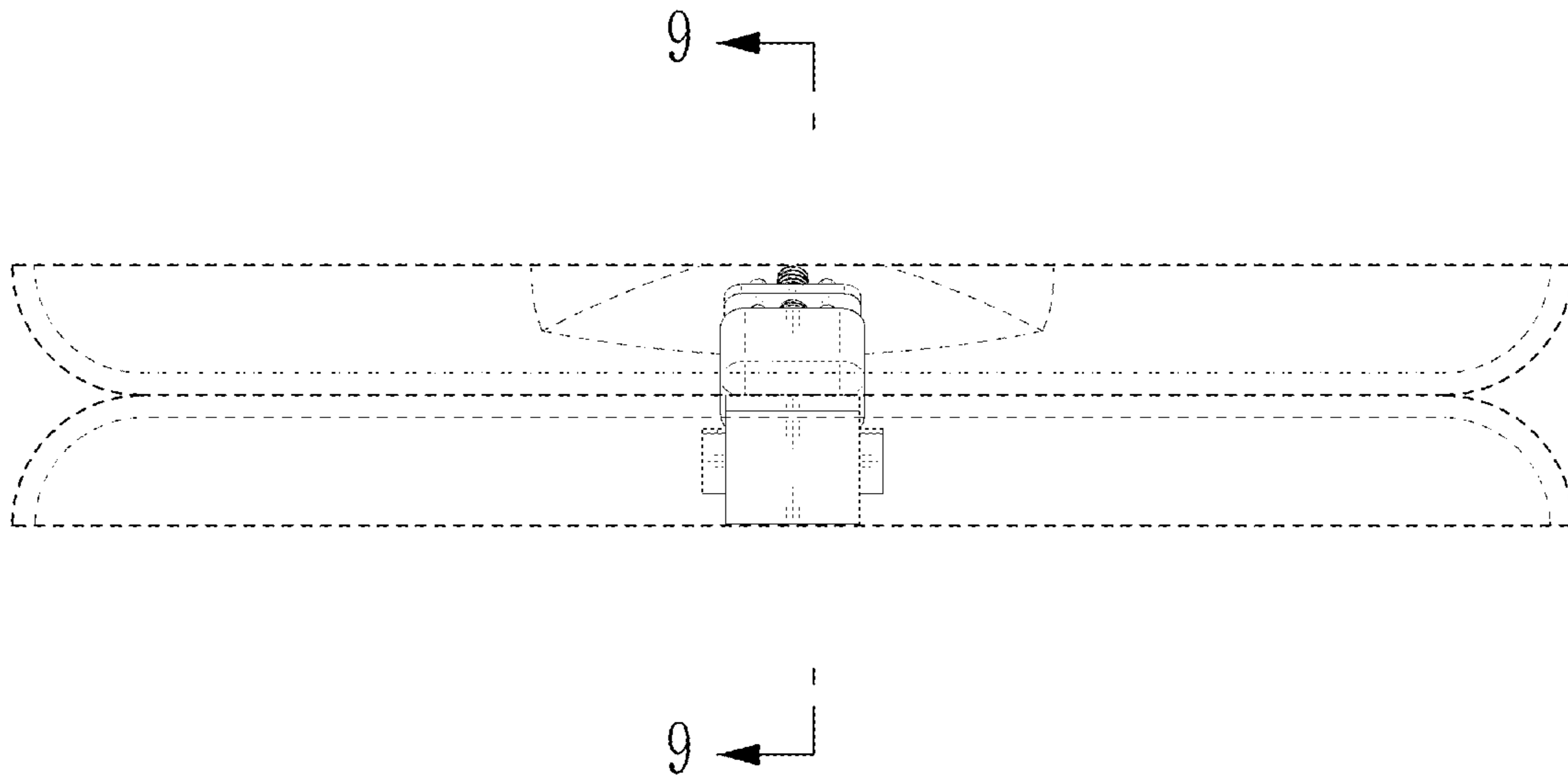


FIG. 3

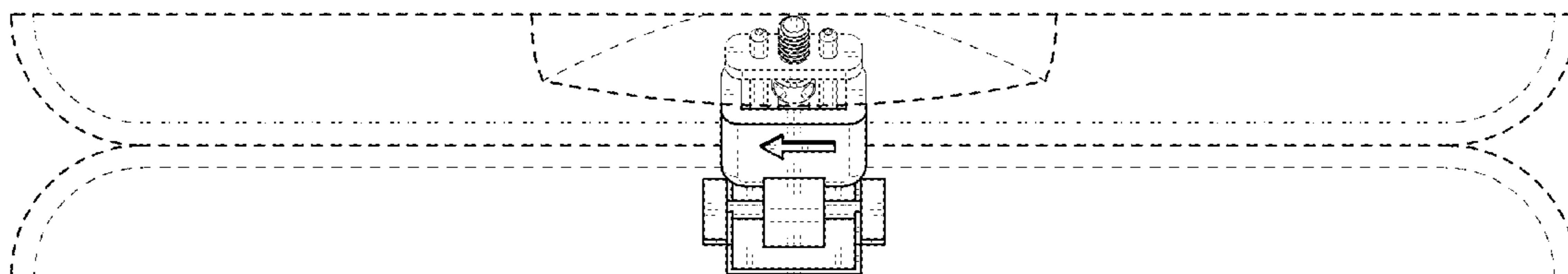


FIG. 4

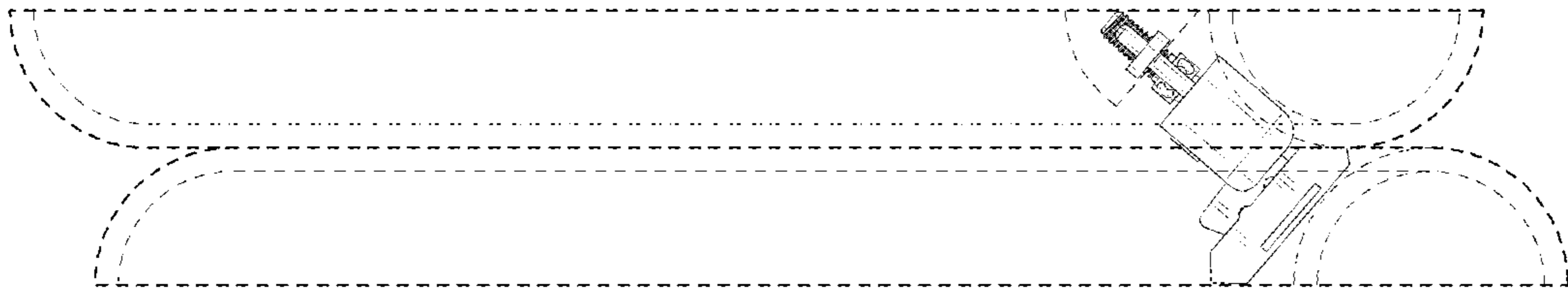


FIG. 5

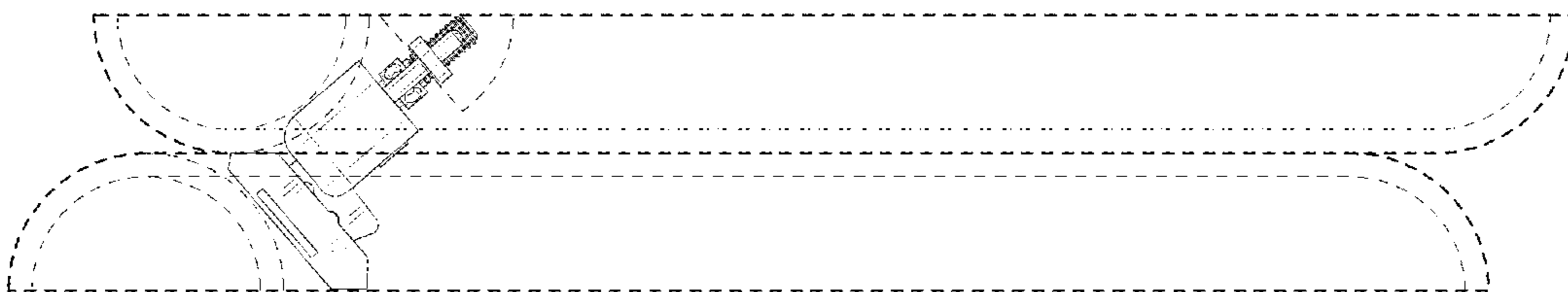


FIG. 6

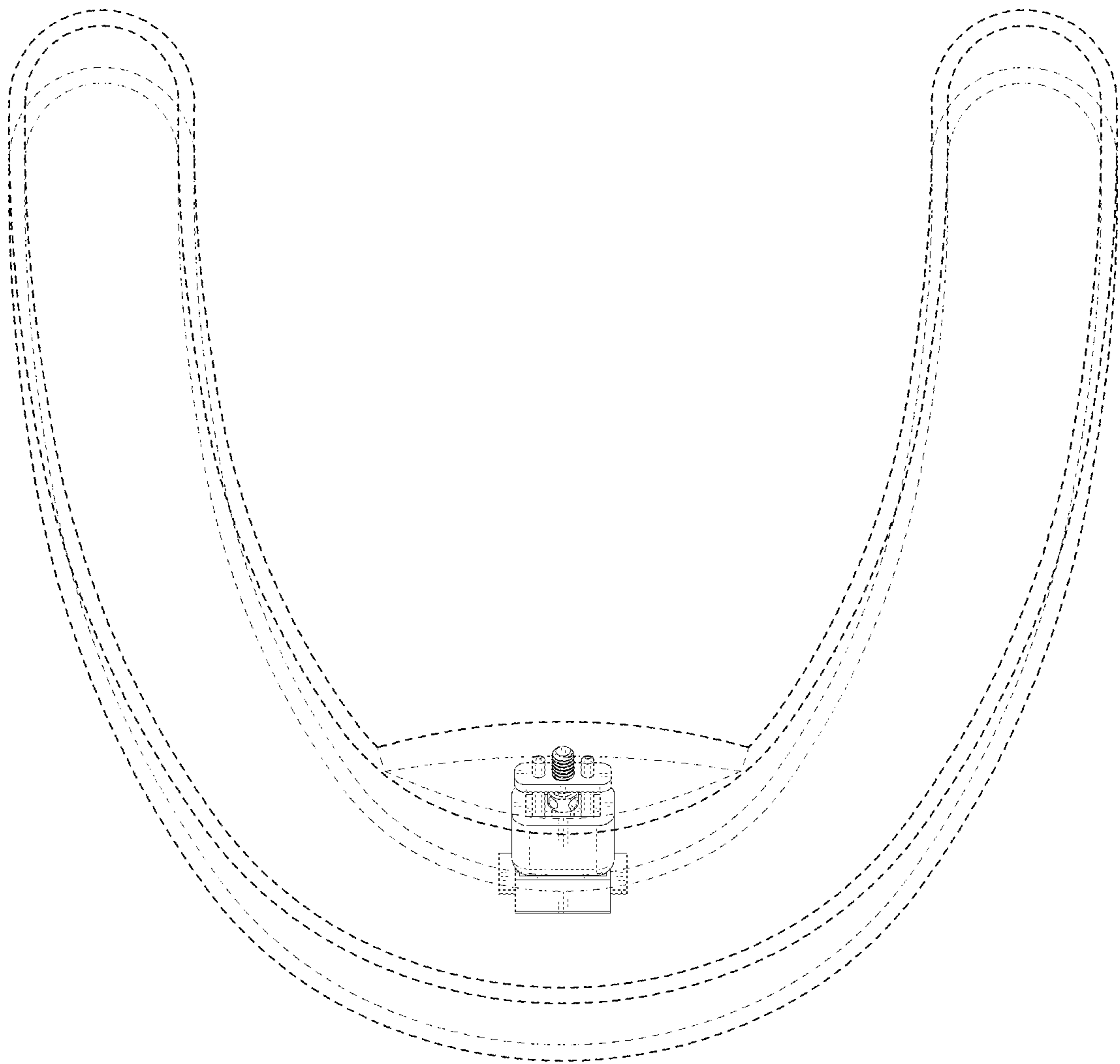


FIG. 7

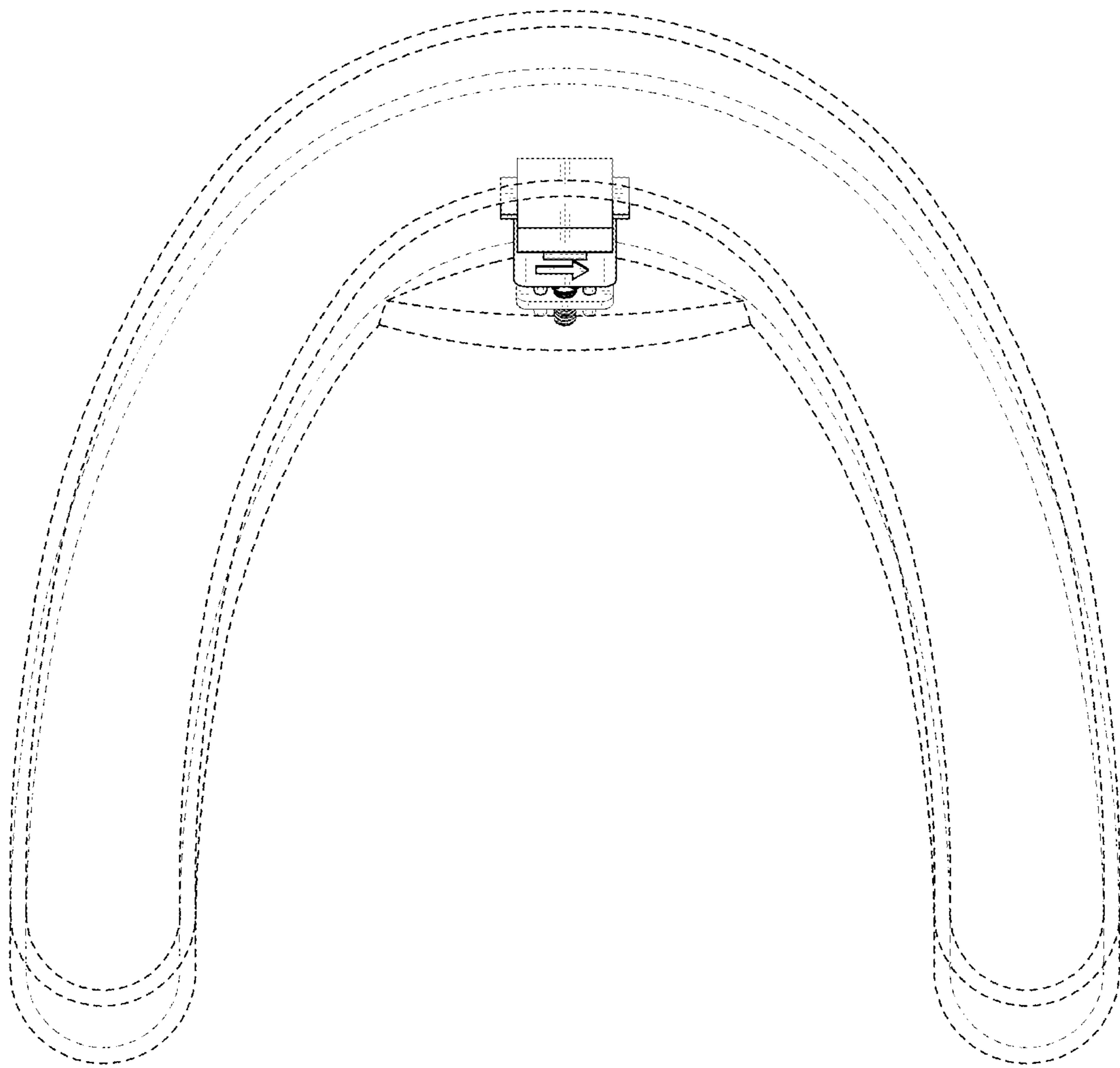


FIG. 8

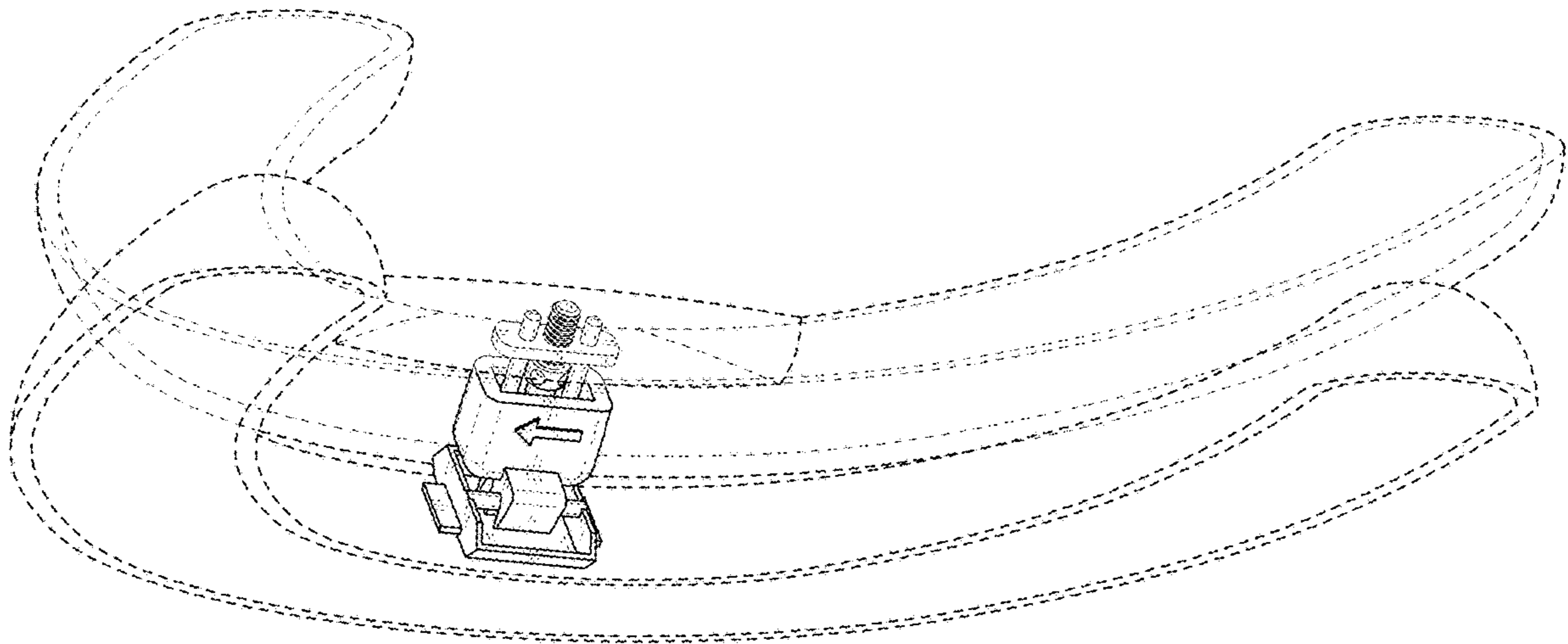


FIG. 9



FIG. 10

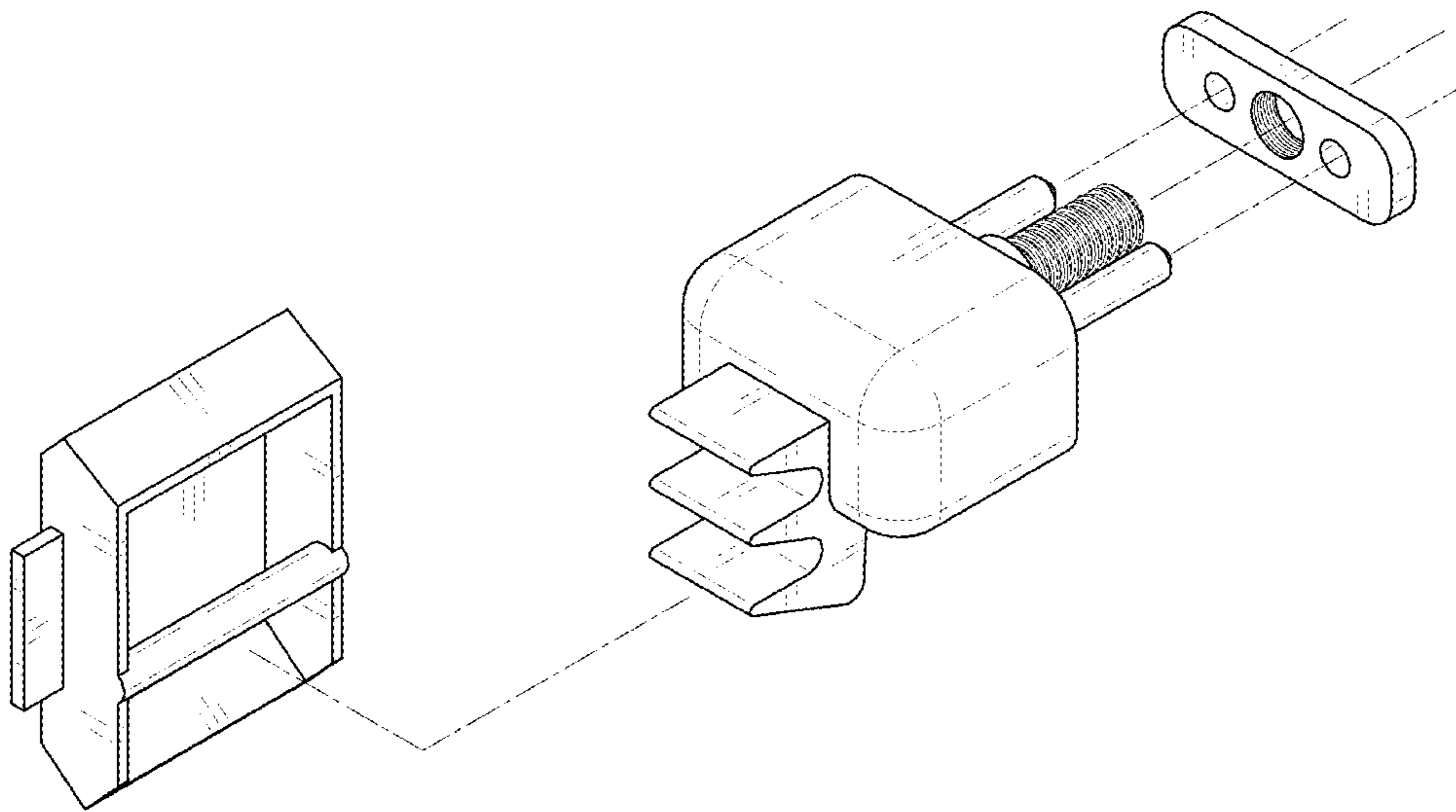


FIG. 11

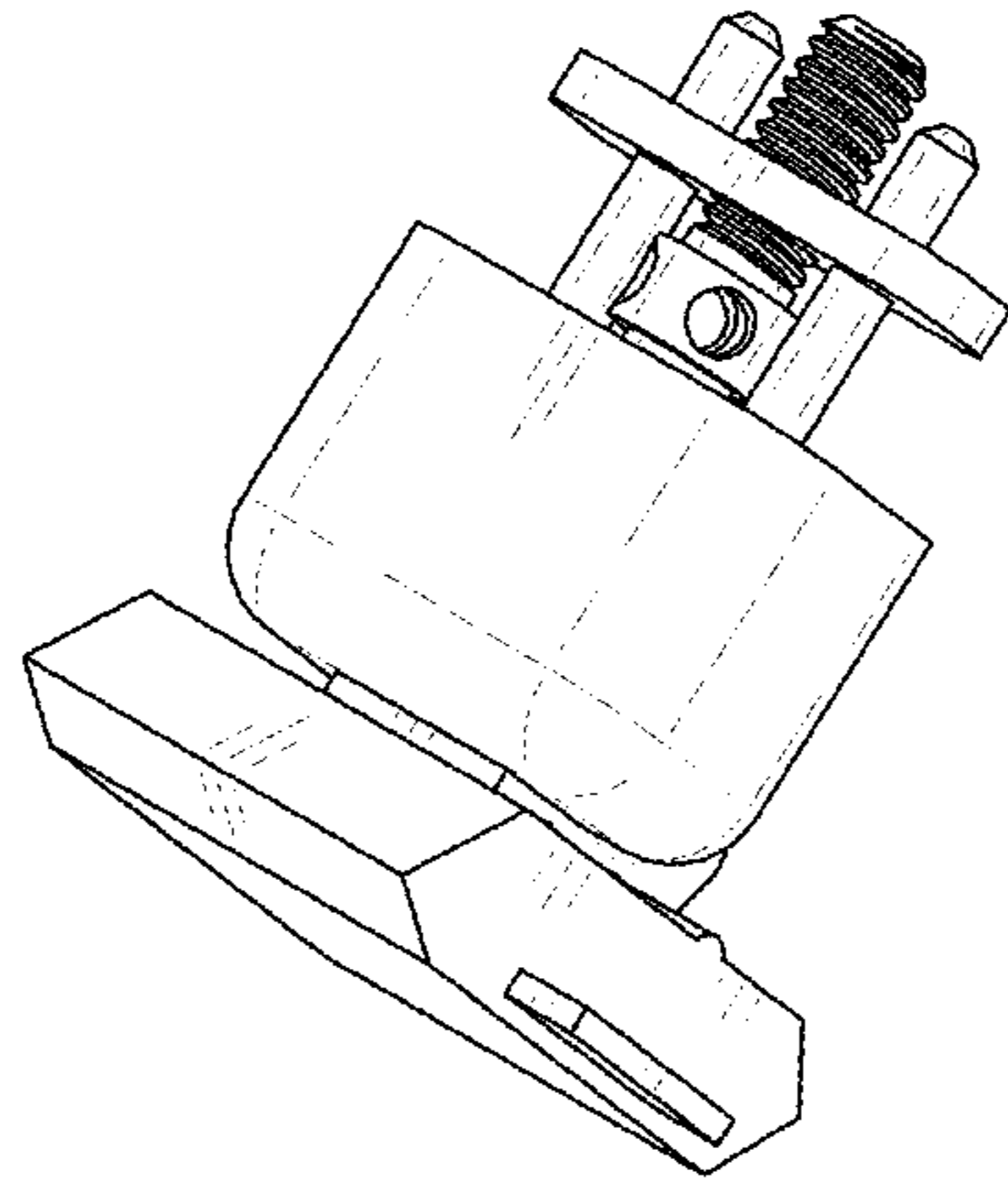


FIG. 12

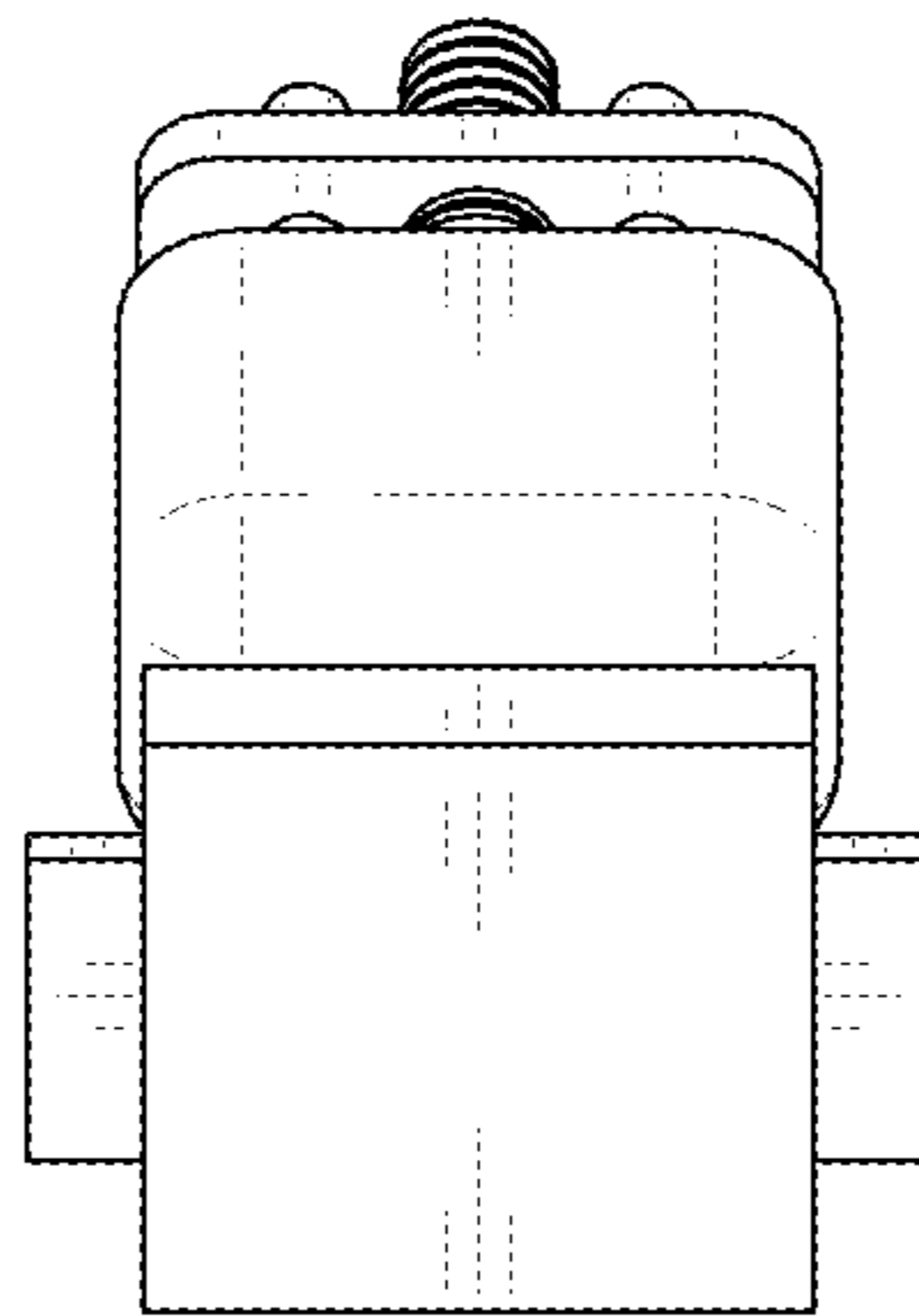


FIG. 13

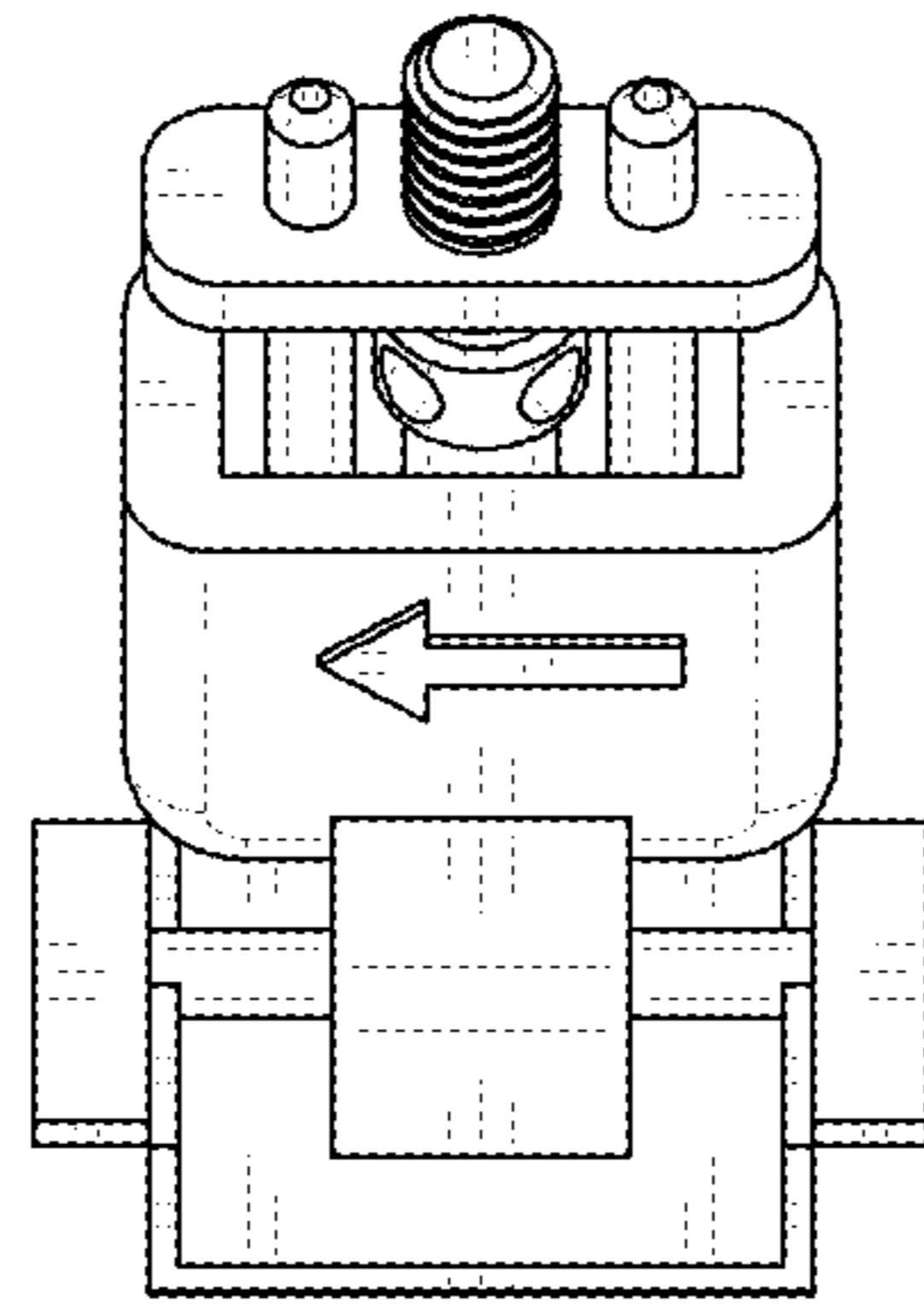


FIG. 14

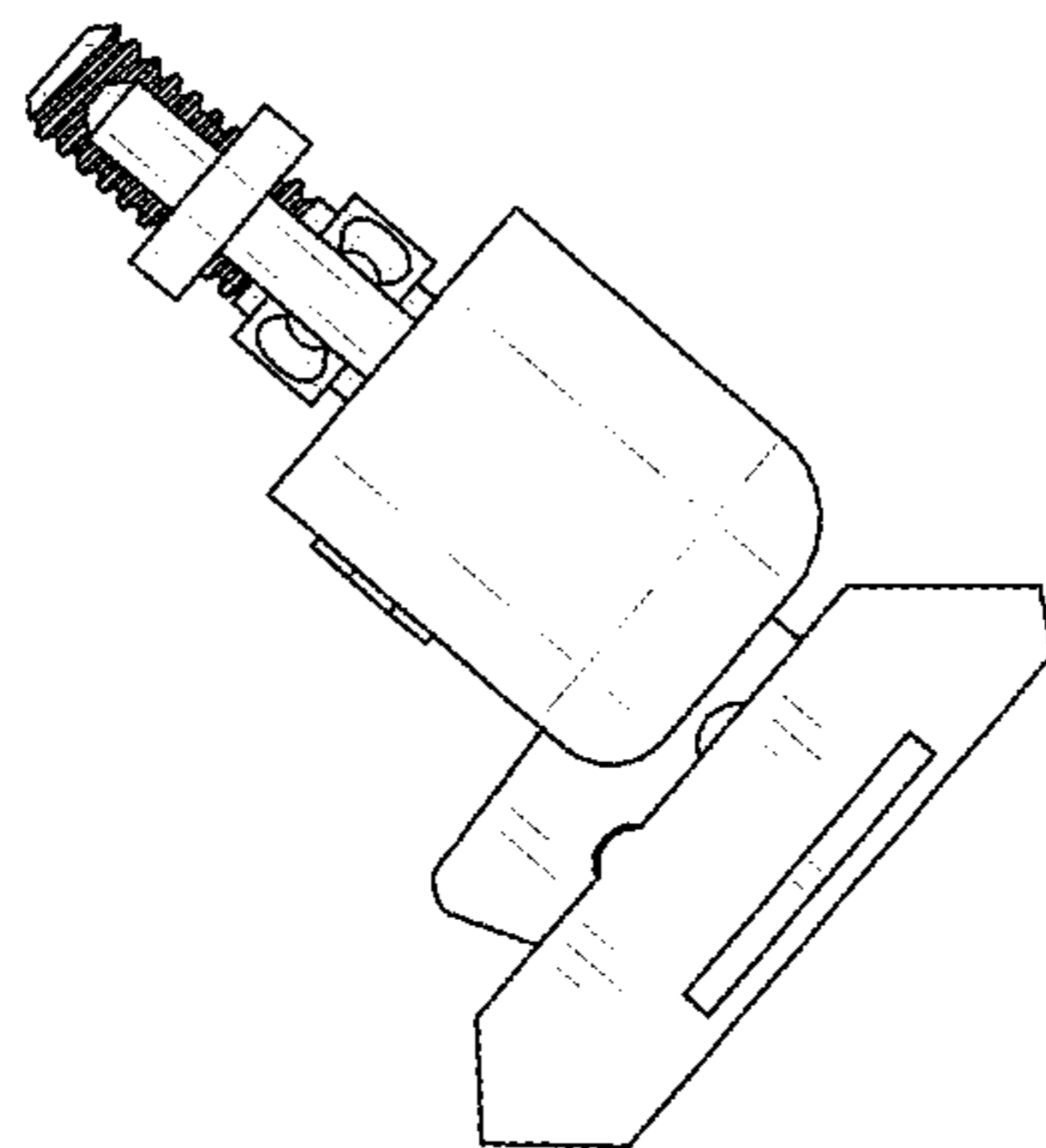


FIG. 15

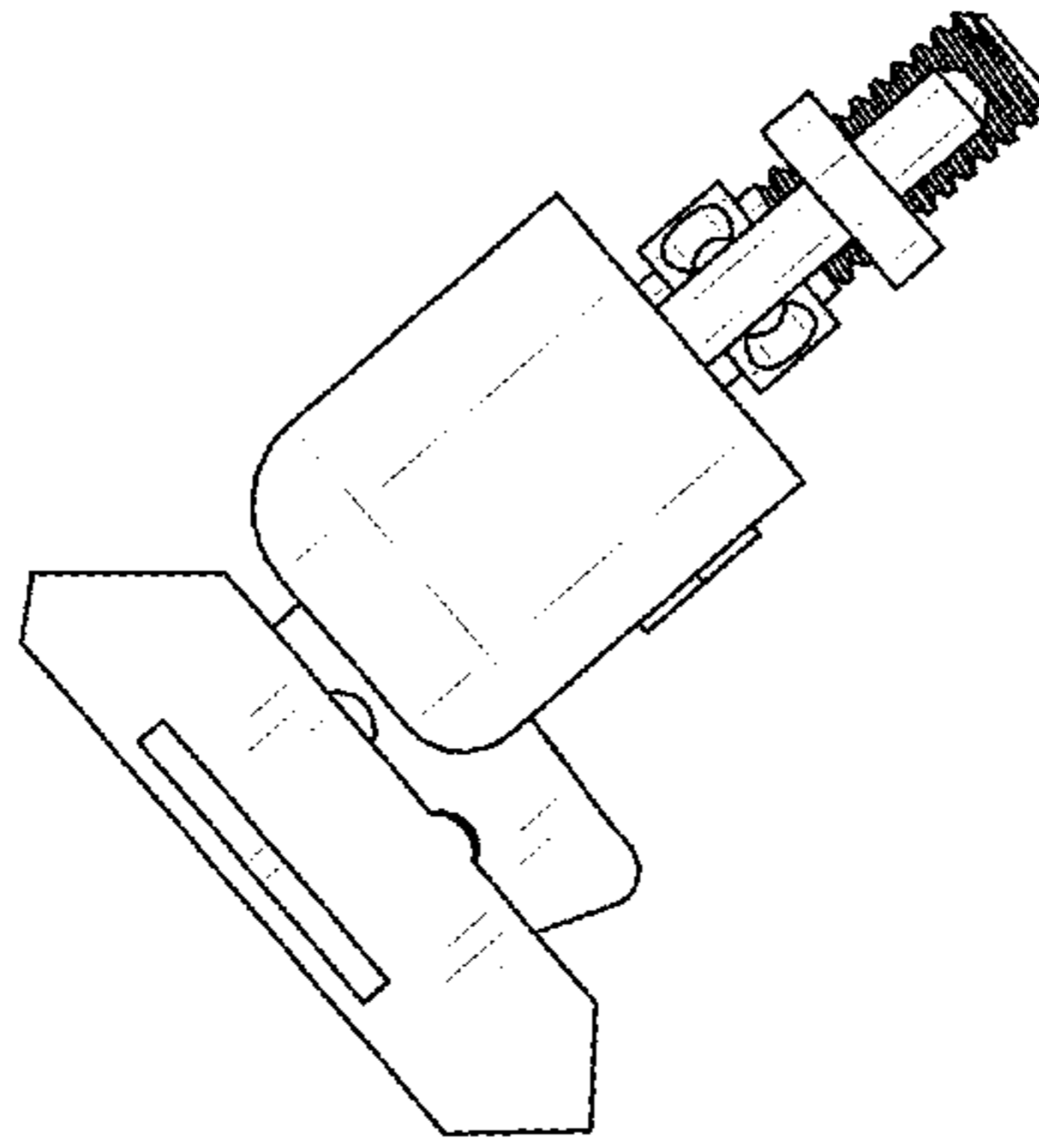


FIG. 16

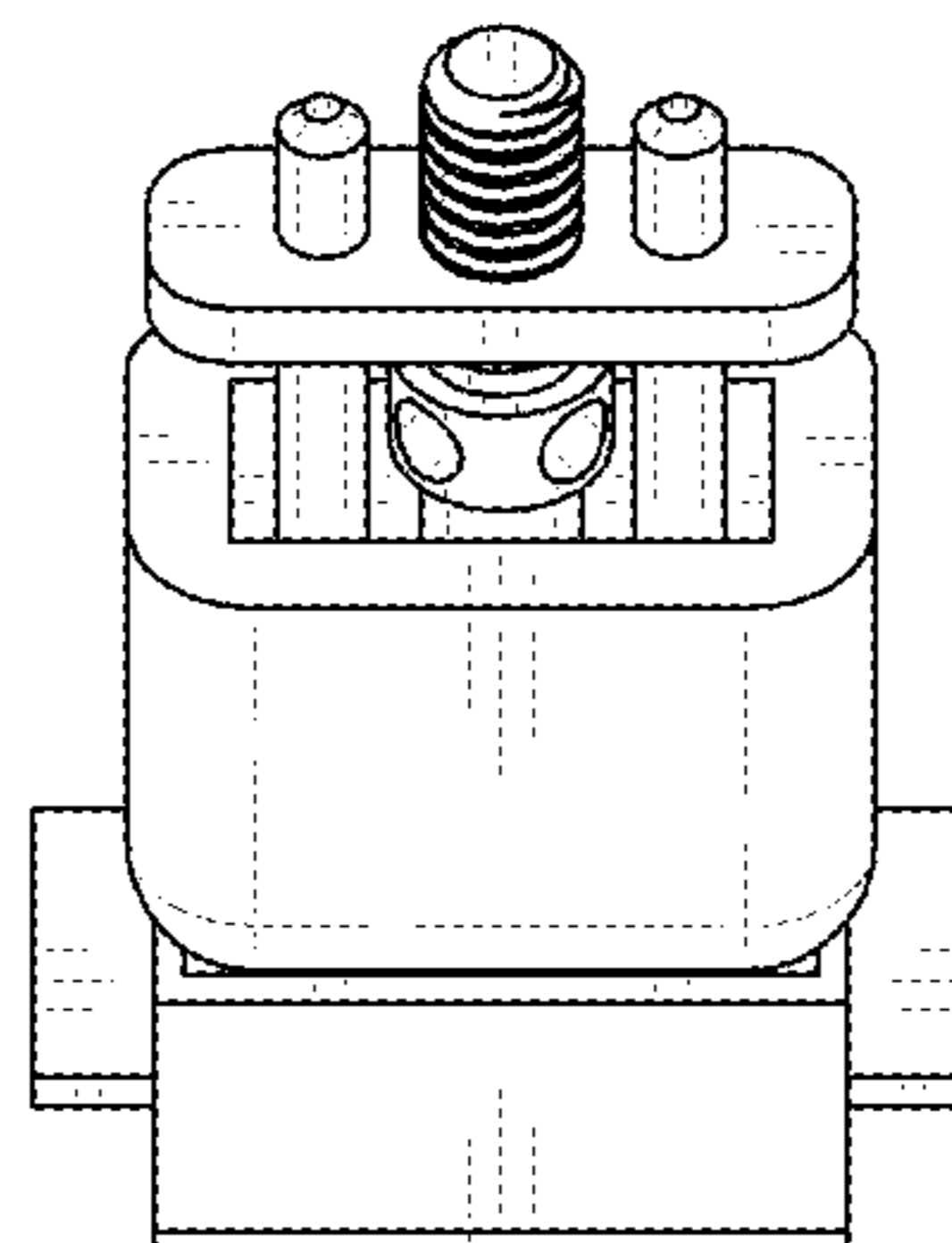


FIG. 17

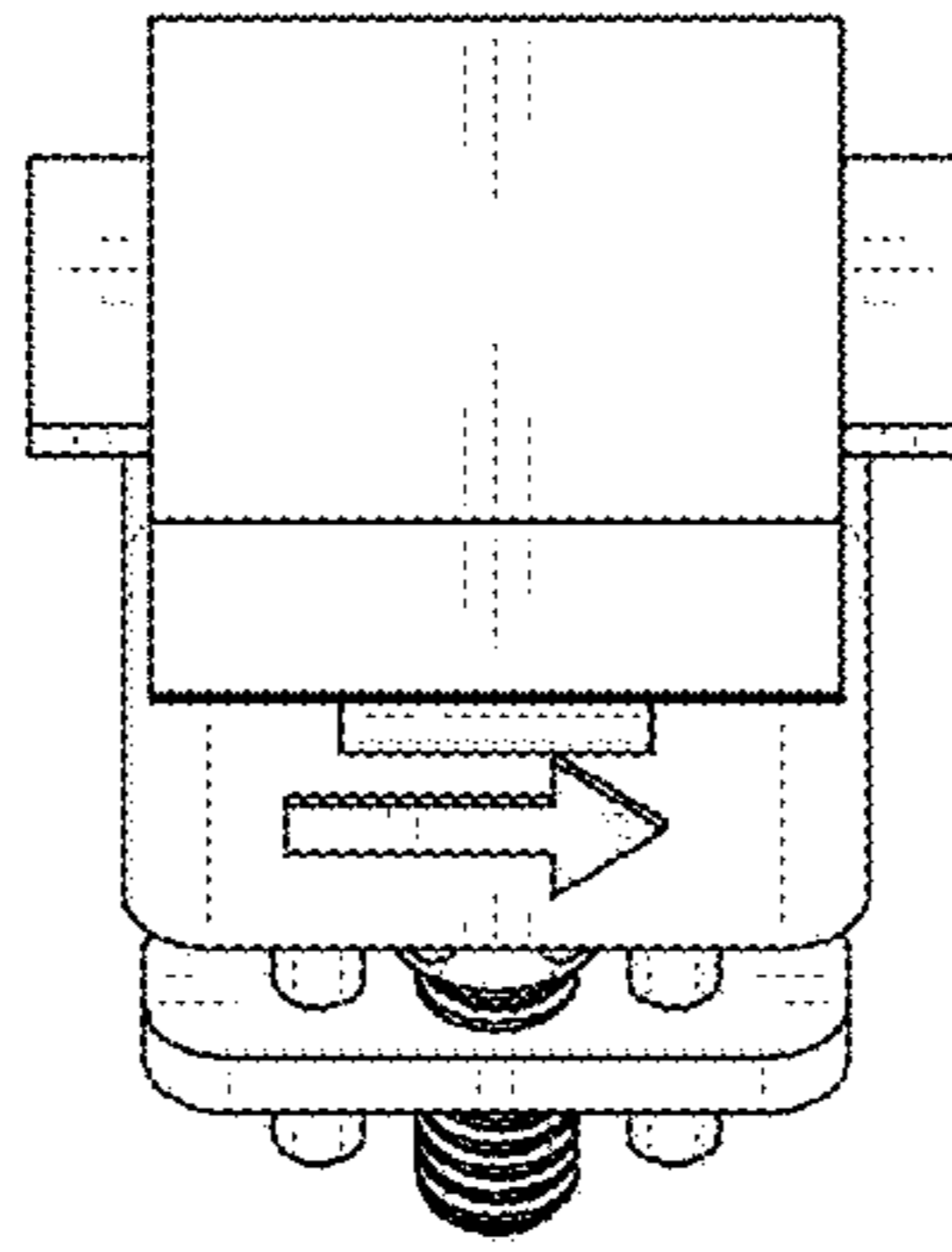


FIG. 18

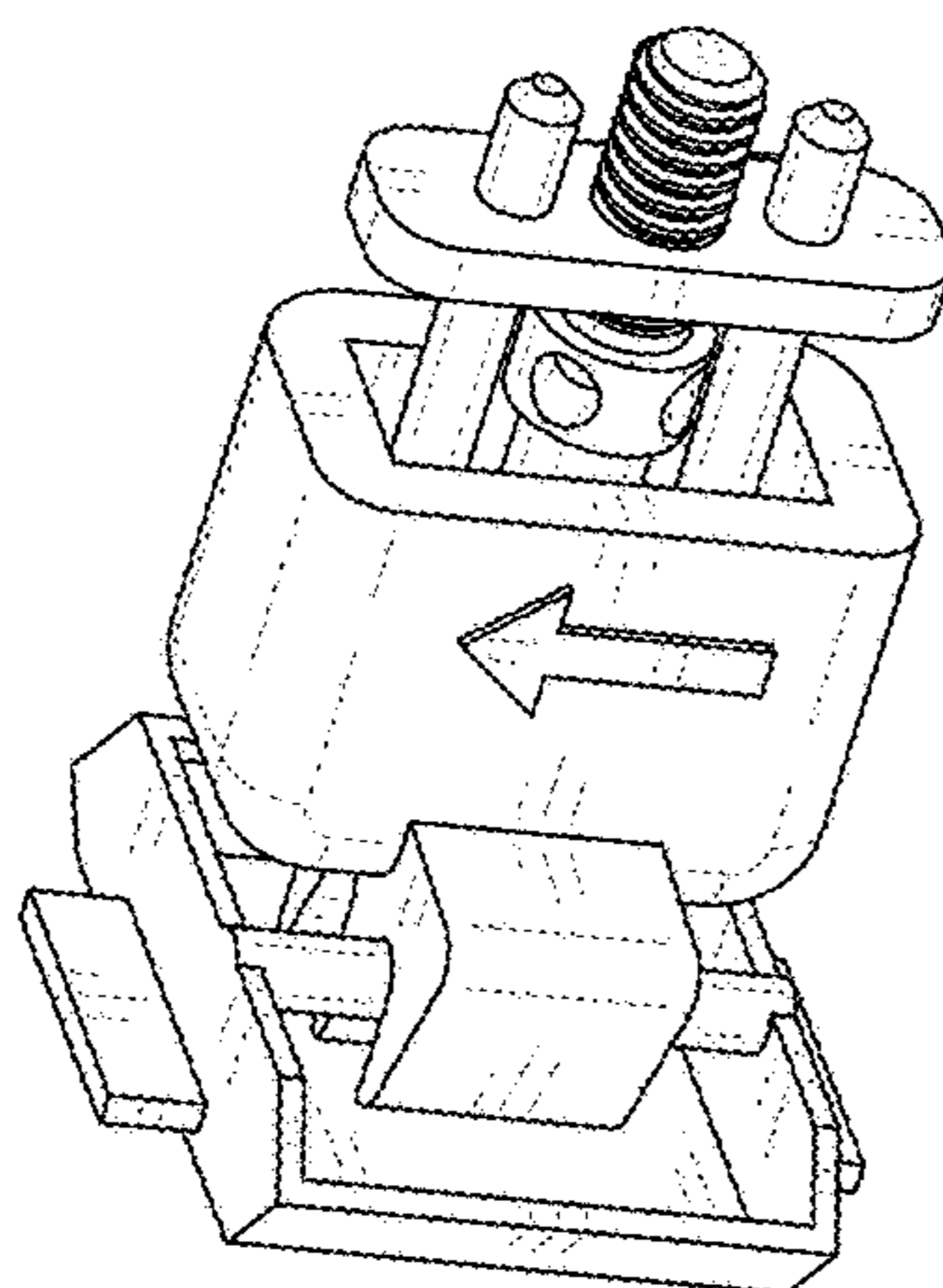


FIG. 19

