



US00D932625S

(12) **United States Design Patent** (10) **Patent No.:** **US D932,625 S**  
**Achleitner et al.** (45) **Date of Patent:** **\*\* Oct. 5, 2021**

(54) **ELECTROMEDICAL DEVICE**

(56) **References Cited**

(71) Applicants: **Siemens Healthcare GmbH**, Erlangen (DE); **Dedicated2Imaging, LLC**, Portsmouth, NH (US)

U.S. PATENT DOCUMENTS

D414,868 S	*	10/1999	Baars .....	D24/158
D557,418 S	*	12/2007	Onuma .....	D24/158
D842,994 S	*	3/2019	Avranches .....	D24/158
D865,968 S	*	11/2019	Liu .....	D24/158
D866,765 S	*	11/2019	Guegel-Wild .....	D24/158
D893,725 S	*	8/2020	You .....	D24/158
D895,803 S	*	9/2020	Nacev .....	D24/158

(72) Inventors: **Roman Achleitner**, Nuremberg (DE); **Mark Dieselman**, Amesbury, MA (US); **Tobias Kotulla**, Spardorf (DE)

\* cited by examiner

(73) Assignees: **Siemens Healthcare GmbH**, Erlangen (DE); **Dedicated2Imaging, LLC**, Portsmouth, NH (US)

*Primary Examiner* — Anhdao Doan

(74) *Attorney, Agent, or Firm* — Schiff Hardin LLP

(\*\*) Term: **15 Years**

(57) **CLAIM**

The ornamental design for an electromedical device, as shown and described.

(21) Appl. No.: **29/692,066**

**DESCRIPTION**

(22) Filed: **May 22, 2019**

FIG. 1 is a front view of an electromedical device showing our new design;  
 FIG. 2 is a back elevational view thereof;  
 FIG. 3 is a top plan view thereof;  
 FIG. 4 is a bottom plan view thereof;  
 FIG. 5 is a right side elevational view thereof;  
 FIG. 6 is a left side elevational view thereof; and,  
 FIG. 7 is a perspective view taken generally from the upper, front, left-hand side thereof.

(30) **Foreign Application Priority Data**

Nov. 22, 2018 (EM) ..... 005832193

(51) **LOC (13) Cl.** ..... **24-01**

(52) **U.S. Cl.**  
USPC ..... **D24/158**

(58) **Field of Classification Search**  
 USPC ..... D24/107, 158–160, 185–187  
 CPC ..... A61B 5/055; G01N 2223/1016; G01N 2223/301; G01N 2223/031; G01N 2223/419; G01N 23/046; G01R 33/48  
 See application file for complete search history.

The broken lines shown in the drawings represent portions of the electromedical device that form no part of the claimed design.

**1 Claim, 7 Drawing Sheets**

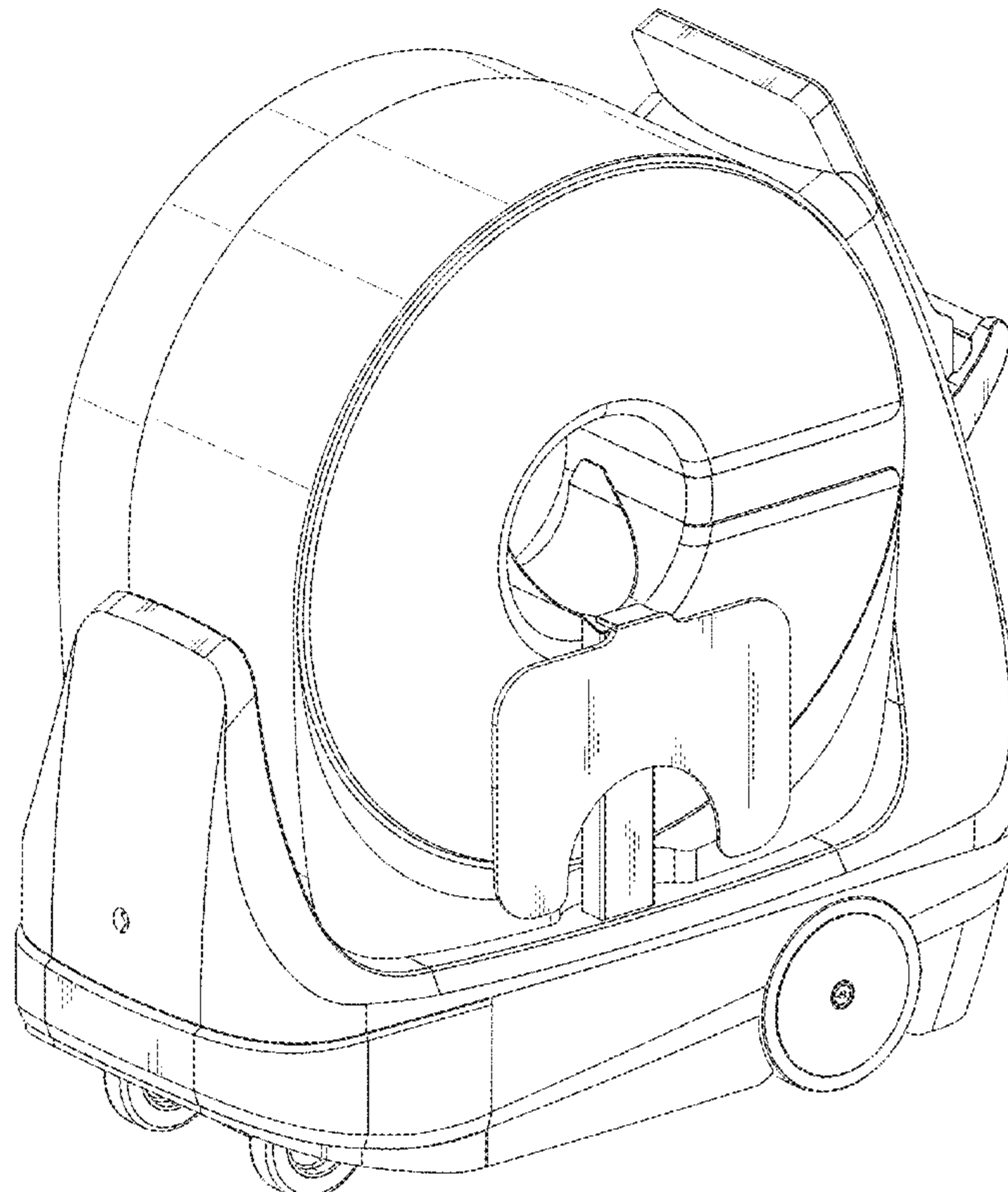


FIG. 1

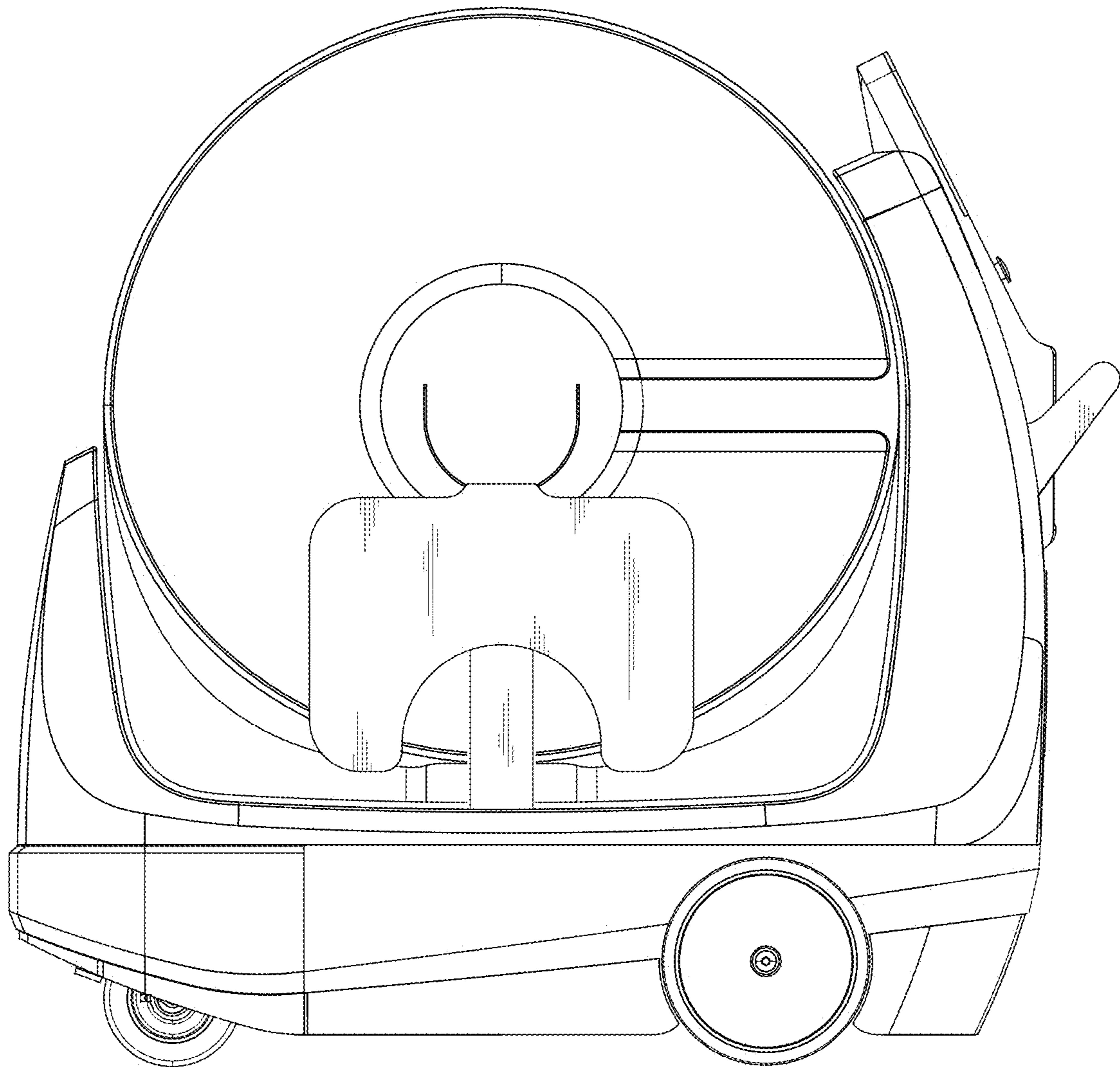


FIG. 2

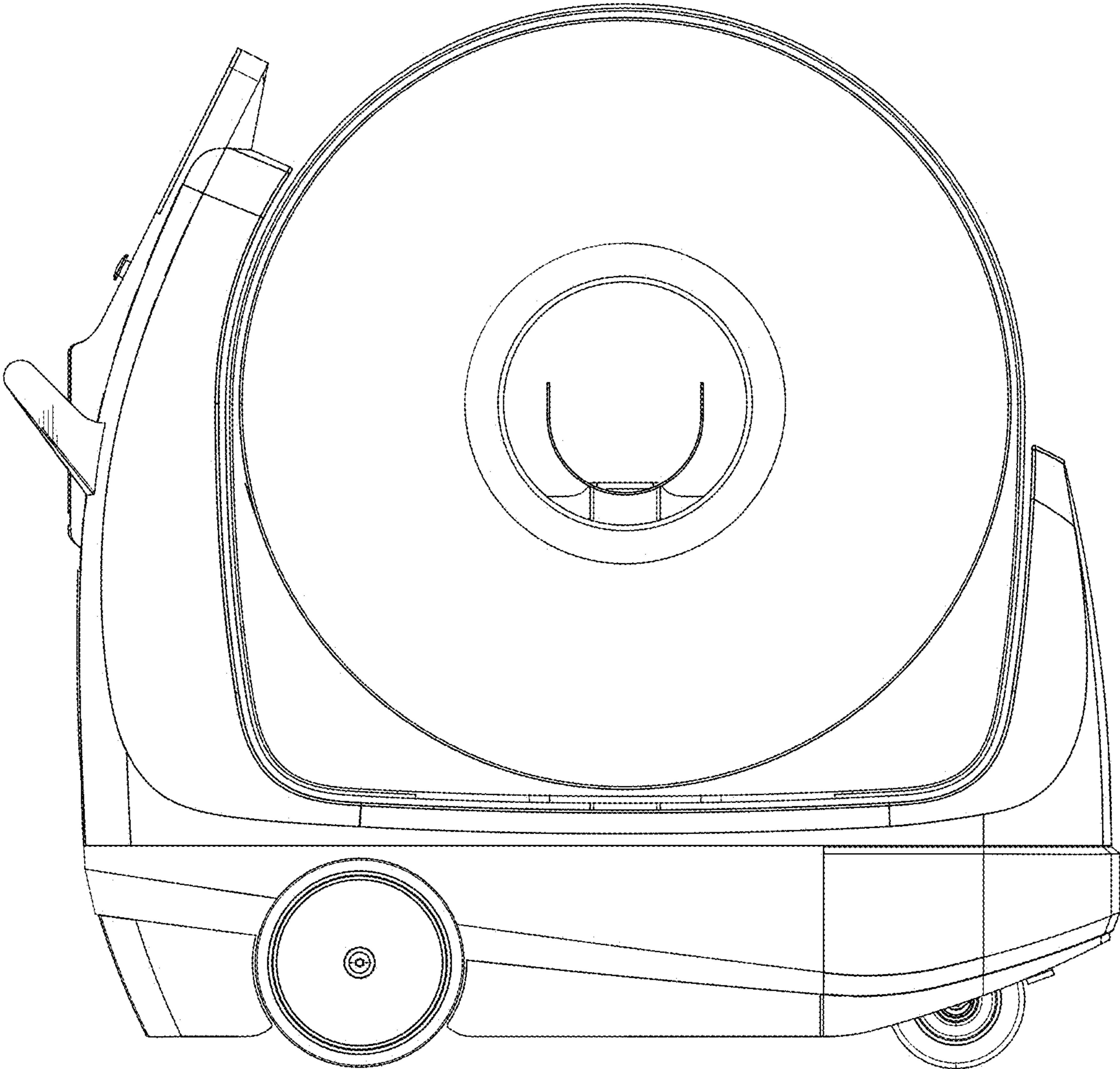


FIG. 3

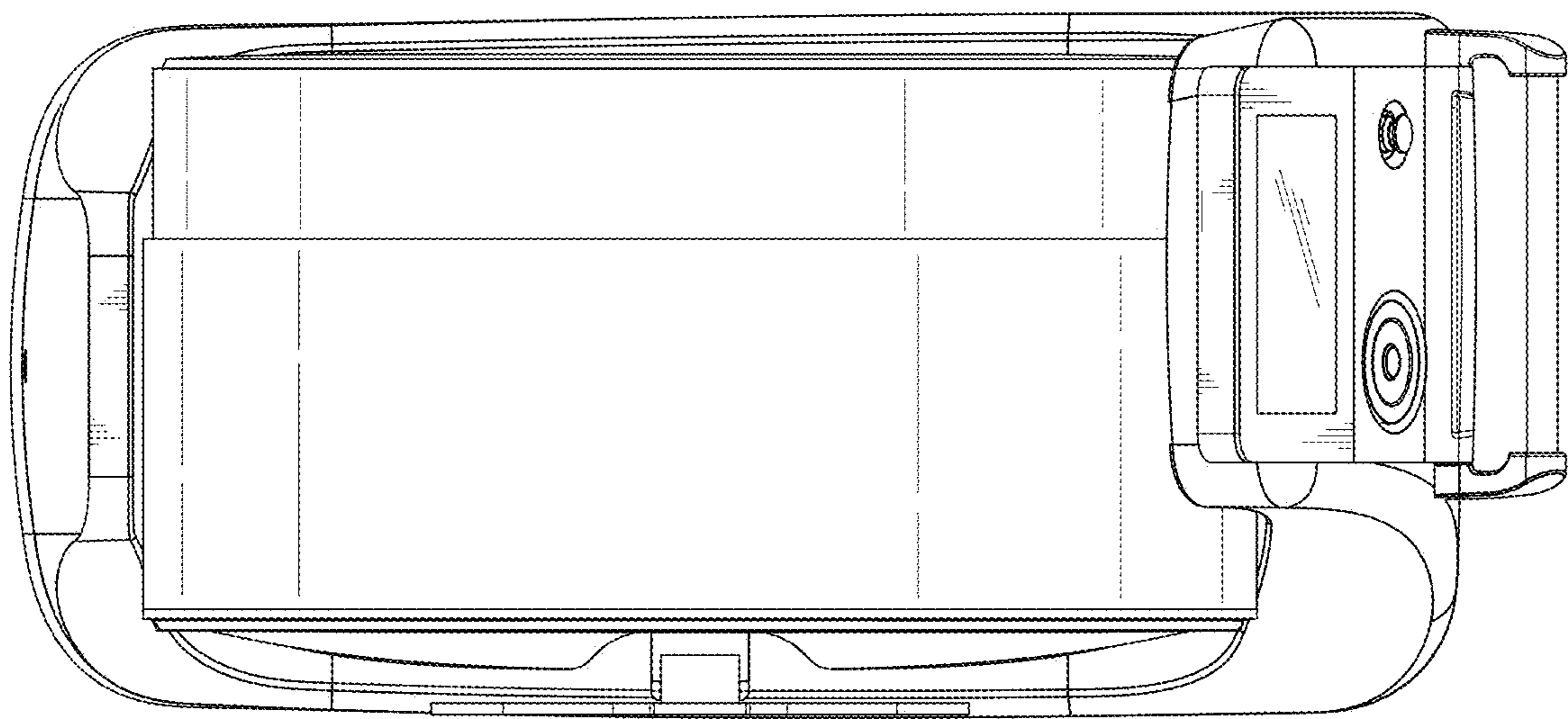




FIG. 4

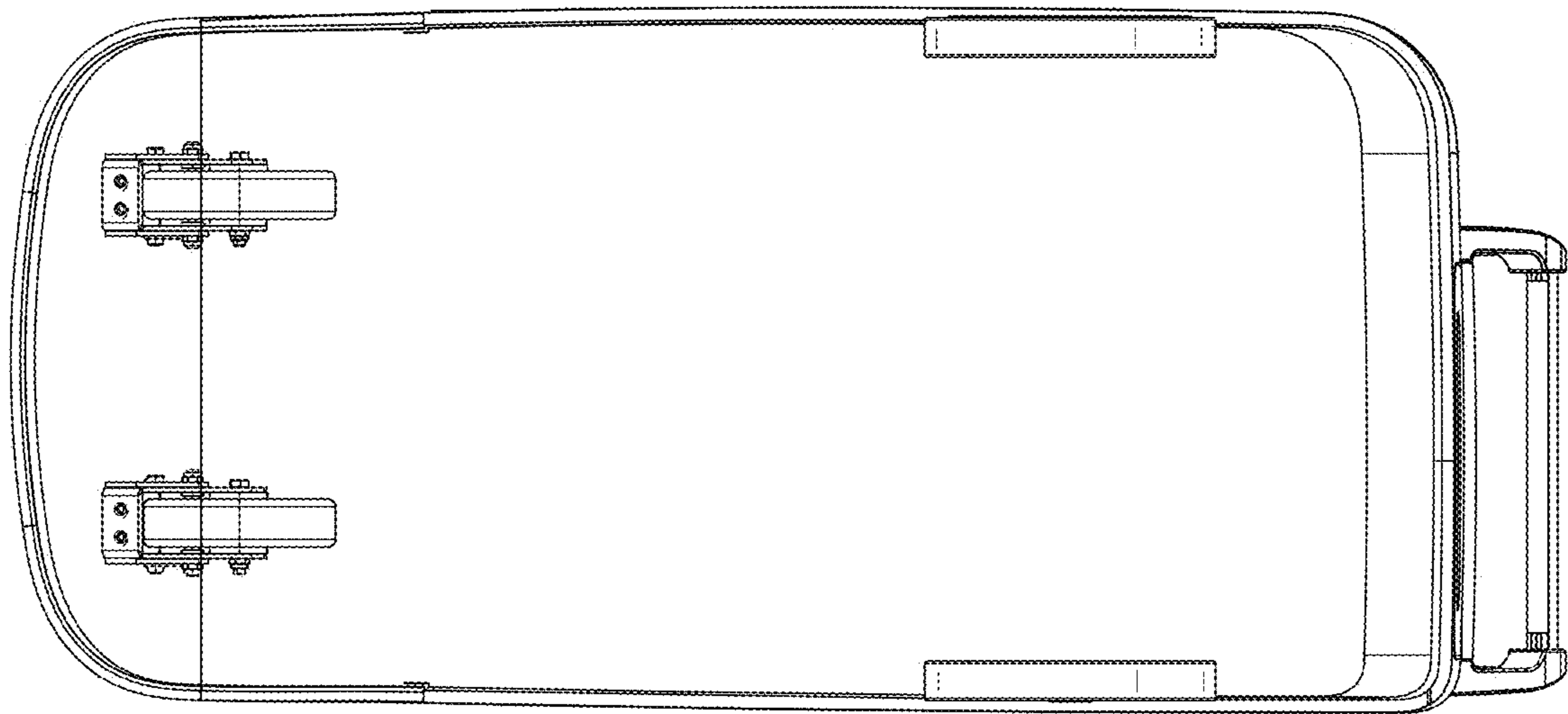


FIG. 5

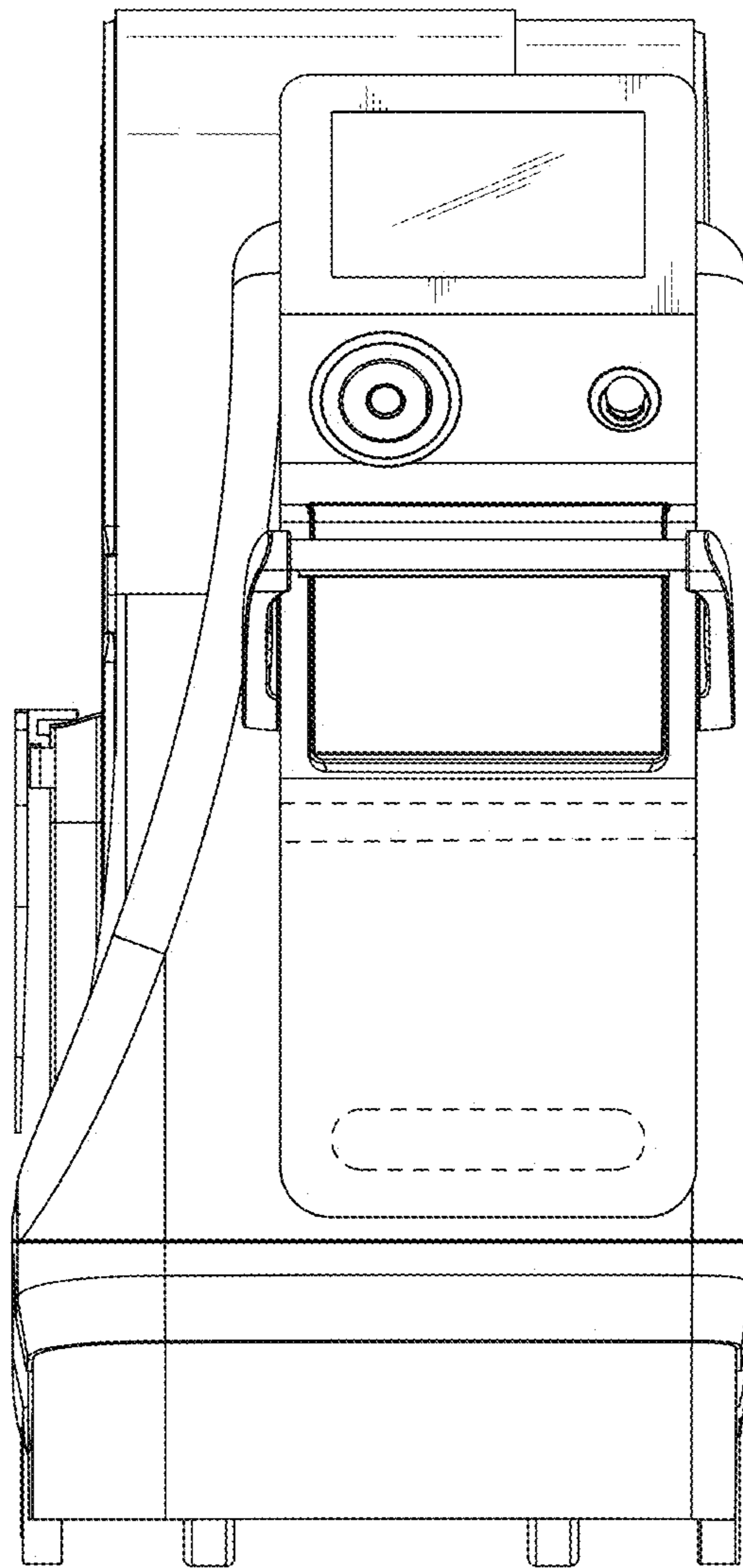


FIG. 6

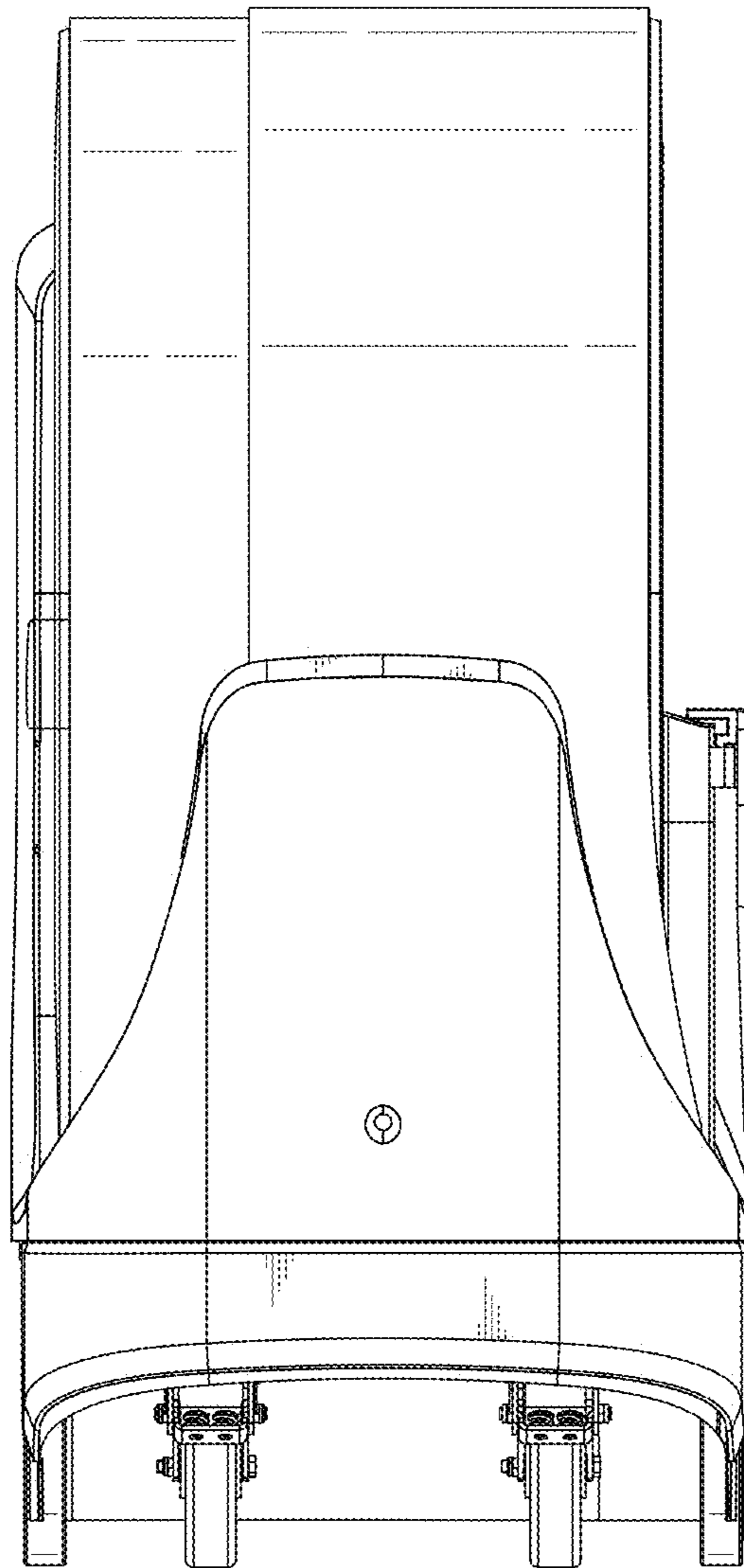


FIG. 7

