



US00D932620S

(12) **United States Design Patent** (10) **Patent No.:** **US D932,620 S**
Ierulli (45) **Date of Patent:** **** *Oct. 5, 2021**

(54) **NASAL DILATOR WITH RELIEF CUTS**

Primary Examiner — Bridget L Eland

(71) Applicant: **Joseph V. Ierulli**, Bradenton, FL (US)

(72) Inventor: **Joseph V. Ierulli**, Bradenton, FL (US)

(*) Notice: This patent is subject to a terminal disclaimer.

(**) Term: **15 Years**

(21) Appl. No.: **29/704,176**

(22) Filed: **Sep. 3, 2019**

(51) **LOC (13) Cl.** **24-02**

(52) **U.S. Cl.**
USPC **D24/135**

(58) **Field of Classification Search**
USPC D24/135
See application file for complete search history.

(56) **References Cited**

U.S. PATENT DOCUMENTS

1,149,781	A	8/1915	Palmer
5,476,091	A	12/1995	Johnson
5,479,944	A	1/1996	Petruson
5,533,499	A	7/1996	Johnson
5,533,503	A	7/1996	Doubek et al.
5,546,929	A	8/1996	Muchin
5,549,103	A	8/1996	Johnson
RE35,408	E	12/1996	Petruson
5,611,333	A	3/1997	Johnson
5,653,224	A	8/1997	Johnson
5,706,800	A	1/1998	Cronk et al.
5,718,224	A	2/1998	Muchin
5,769,089	A	6/1998	Hand et al.
5,890,486	A	4/1999	Mitra et al.

(Continued)

FOREIGN PATENT DOCUMENTS

EP	855175	A1	7/1998
ES	289561		10/1985

(57) **CLAIM**

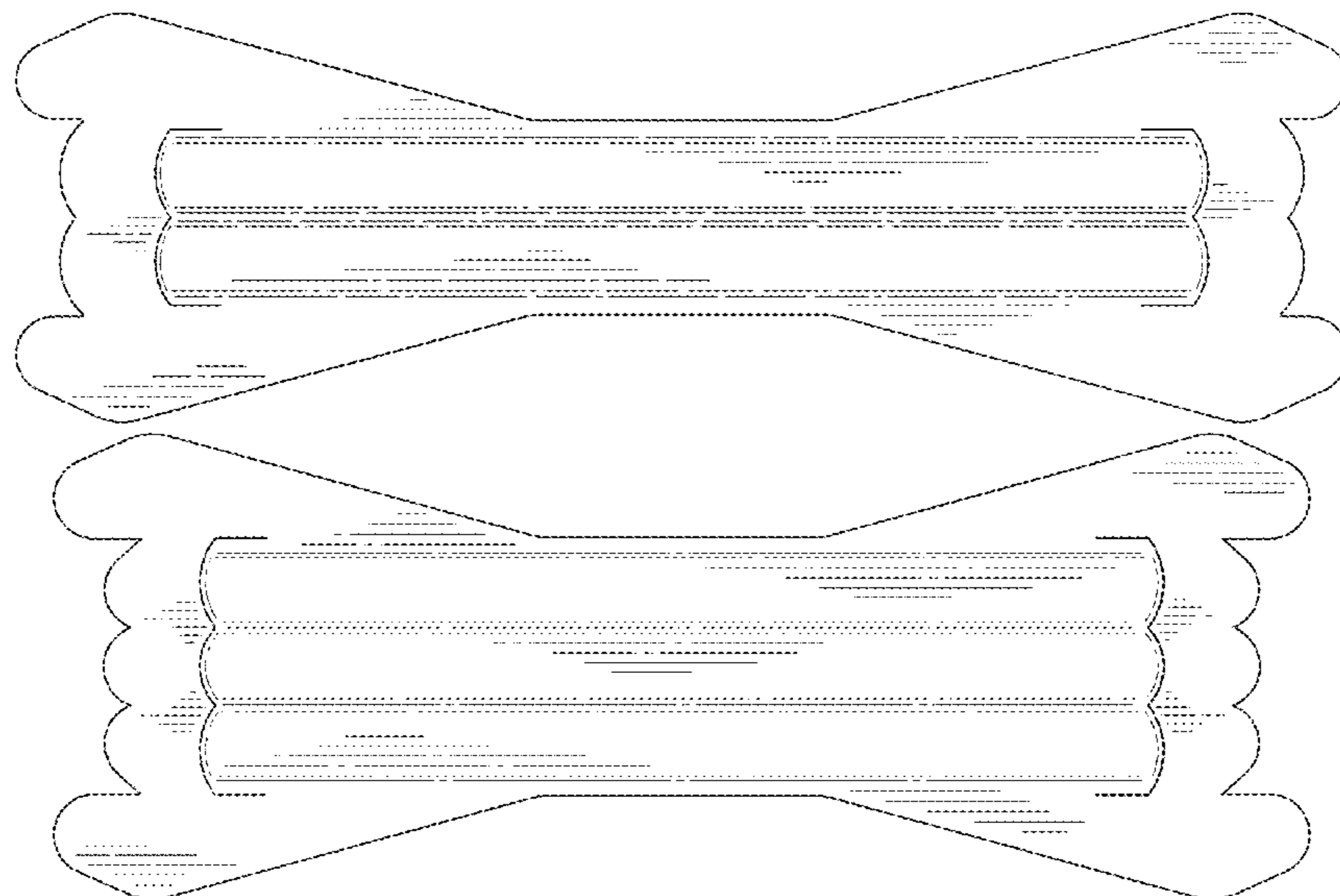
I claim the ornamental design for an nasal dilator with relief cuts, as shown and described.

DESCRIPTION

FIG. 1 is a top plan view of a first embodiment of a nasal dilator with relief cuts according to my invention; FIG. 2 is a perspective view thereof; FIG. 3 is a perspective view thereof, shown in a slightly flexed state; FIG. 4 is a perspective view thereof, shown in a state of use. FIG. 5 is a top plan view of a second embodiment of a nasal dilator with relief cuts according to my invention; FIG. 6 is a perspective view thereof; FIG. 7 is a perspective view thereof, shown in a slightly flexed state; FIG. 8 is a perspective view thereof, shown in a state of use; FIG. 9 is a top plan view of a third embodiment of a nasal dilator with relief cuts according to my invention; FIG. 10 is a perspective view thereof; FIG. 11 is a perspective view thereof, shown in a slightly flexed state; FIG. 12 is a perspective view thereof, shown in a state of use; FIG. 13 is a top plan view of a fourth embodiment of a nasal dilator with relief cuts according to my invention; FIG. 14 is a perspective view thereof; FIG. 15 is a perspective view thereof, shown in a slightly flexed state; and, FIG. 16 is a perspective view thereof, shown in a state of use.

The broken line showing of human facial features is directed to environment and is for illustrative purposes only; the broken lines form no part of the claimed design.

1 Claim, 8 Drawing Sheets



(56)

References Cited

U.S. PATENT DOCUMENTS

5,931,854 A	8/1999	Dillon	D759,240 S	6/2016	Ierulli
5,957,126 A	9/1999	Neeser	D759,241 S	6/2016	Ierulli
6,006,746 A	12/1999	Karell	D759,242 S	6/2016	Ierulli
6,029,658 A	2/2000	De Voss	9,364,367 B2	6/2016	Ierulli
D422,358 S *	4/2000	Lundy, Jr. D24/135	9,364,368 B2	6/2016	Ierulli
D422,702 S *	4/2000	Lundy, Jr. D24/135	9,381,332 B2	7/2016	Judd
D422,703 S *	4/2000	Lundy, Jr. D24/135	D764,055 S	8/2016	Ierulli et al.
6,058,931 A	5/2000	Muchin	D764,662 S	8/2016	Ierulli et al.
6,065,470 A	5/2000	Van Cromvoirt et al.	9,414,957 B1	8/2016	Fischell
D429,332 S *	8/2000	Ierulli D24/135	9,427,945 B2	8/2016	Gray et al.
D430,295 S *	8/2000	Ierulli D24/135	D779,666 S	2/2017	Ierulli et al.
6,098,616 A	8/2000	Lundy et al.	D779,667 S	2/2017	Ierulli et al.
D437,641 S *	2/2001	Ierulli D24/135	9,566,183 B1	2/2017	Fischell
6,196,228 B1	3/2001	Kreitzer et al.	D788,298 S	5/2017	Guyuron
6,244,265 B1	6/2001	Cronk et al.	9,642,995 B2	5/2017	Fenton et al.
6,276,360 B1	8/2001	Cronk et al.	D789,531 S	6/2017	Ierulli
6,318,362 B1	11/2001	Johnson	D790,058 S	6/2017	Ierulli et al.
6,357,436 B1	3/2002	Kreitzer et al.	D790,695 S	6/2017	Ierulli
6,375,667 B1	4/2002	Ruch	D791,312 S	7/2017	Peck
6,453,901 B1	9/2002	Ierulli	D791,314 S	7/2017	Ierulli
6,470,883 B1	10/2002	Beaudry	9,730,827 B2	8/2017	Ierulli
6,550,474 B1	4/2003	Anderson et al.	9,730,828 B2	8/2017	Ierulli
6,694,970 B2	2/2004	Spinelli et al.	9,775,738 B2	10/2017	Andre
6,769,428 B2	8/2004	Cronk et al.	9,844,456 B2	12/2017	Ierulli
6,769,429 B1	8/2004	Benetti	9,901,479 B2	2/2018	Holmes
7,067,710 B1	6/2006	Beaudry	9,901,480 B2	2/2018	Ierulli
7,114,495 B2	10/2006	Lockwood, Jr.	9,901,481 B2	2/2018	Ierulli
D639,762 S	6/2011	Brogden et al.	D812,749 S	3/2018	Ierulli
D644,325 S	8/2011	Brunner et al.	D813,387 S	3/2018	Ierulli et al.
D644,324 S	10/2011	Brunner et al.	D814,029 S	3/2018	Ierulli
8,047,201 B2	11/2011	Guyuron et al.	10,010,442 B2	7/2018	Ierulli
8,062,329 B2	11/2011	Ierulli	10,328,625 B2	6/2019	Gray et al.
D651,710 S	1/2012	Brogden et al.	D857,887 S *	8/2019	Ierulli D24/135
8,115,049 B2	2/2012	Beaudry	D857,888 S *	8/2019	Ierulli D24/135
D659,245 S	5/2012	Ierulli	D857,889 S *	8/2019	Ierulli D24/135
8,188,330 B2	5/2012	Beaudry	D858,762 S *	9/2019	Ierulli D24/135
D662,203 S	6/2012	Smith	D859,654 S *	9/2019	Ierulli D24/135
D667,543 S	9/2012	Ierulli	D894,382 S *	8/2020	Ierulli D24/135
D671,643 S	11/2012	Ierulli	D896,957 S *	9/2020	Ierulli D24/135
D672,461 S	12/2012	Brogden et al.	D898,193 S *	10/2020	Ierulli D24/135
D672,872 S	12/2012	Brunner et al.	D900,314 S *	10/2020	Ierulli D24/135
D673,270 S	12/2012	Brunner et al.	D902,399 S *	11/2020	Ierulli D24/135
8,342,173 B2	1/2013	Lockwood, Jr.	D902,400 S *	11/2020	Ierulli D24/135
8,444,670 B2	5/2013	Ierulli	D903,114 S *	11/2020	Ierulli D24/135
8,584,671 B2	11/2013	Ierulli	2008/0058858 A1	3/2008	Smith
8,616,198 B2	12/2013	Guyuron et al.	2008/0097517 A1	4/2008	Holmes et al.
8,617,199 B2	12/2013	Eull et al.	2009/0125052 A1	5/2009	Pinna et al.
8,641,852 B2	2/2014	Ierulli	2009/0234383 A1	9/2009	Ierulli
D707,814 S	6/2014	Ierulli	2010/0210988 A1	8/2010	Dallison
D707,815 S	6/2014	Ierulli	2010/0298861 A1	11/2010	Fenton
8,834,511 B2	9/2014	Holmes et al.	2011/0000483 A1	1/2011	Matthias et al.
8,834,512 B1	9/2014	Brown et al.	2011/0054517 A1	3/2011	Holmes et al.
8,834,514 B2	9/2014	Smith	2011/0166594 A1	7/2011	Eull
8,858,587 B2	10/2014	Ierulli	2011/0224717 A1	9/2011	Lockwood
D722,161 S	2/2015	Reyers	2012/0004683 A1	1/2012	Gray
D722,162 S	2/2015	Reyers	2012/0022582 A1	1/2012	Guyuron
D725,772 S	3/2015	Ierulli	2012/0067345 A1	3/2012	Shilon
D725,773 S	3/2015	Ierulli	2012/0172923 A1	7/2012	Fenton
9,095,422 B2	8/2015	Gray	2012/0209313 A1	8/2012	Ierulli
D738,496 S	9/2015	Peck	2012/0232455 A1	9/2012	Beaudry
D739,015 S	9/2015	Martin	2013/0104882 A1	5/2013	Ierulli
9,119,620 B2	9/2015	Peterson et al.	2013/0118488 A1	5/2013	Ledogar
D741,997 S	10/2015	Ierulli	2014/0194922 A1	7/2014	Ierulli
D741,998 S	10/2015	Martin	2014/0148844 A1	10/2014	Andre
D743,544 S	11/2015	Ierulli	2014/0296904 A1	10/2014	Andre
D743,545 S	11/2015	Ierulli	2014/0350596 A1	11/2014	Smith
D743,565 S	11/2015	Engel et al.	2015/0005812 A1	1/2015	Holmes
D745,147 S	12/2015	Ierulli	2015/0012035 A1	1/2015	Ierulli
9,204,988 B1	12/2015	Fischell	2015/0051636 A1	2/2015	Lockwood
D746,982 S	1/2016	Ierulli	2015/0090398 A1	4/2015	Ierulli
D747,478 S	1/2016	Brunner et al.	2015/0090399 A1	4/2015	Ierulli
D753,294 S	4/2016	Guyuron et al.	2015/0094757 A1	4/2015	Ierulli
D755,376 S	5/2016	Ierulli	2015/0094758 A1	4/2015	Ierulli
D758,575 S	6/2016	Ierulli	2015/0216709 A1	8/2015	Peck
D758,576 S	6/2016	Ierulli et al.	2015/0230966 A1	8/2015	Ierulli
			2015/0250637 A1	9/2015	Ierulli
			2015/0290021 A1	10/2015	Gray
			2015/0359654 A1	12/2015	Bentivegna et al.
			2016/0008161 A1	1/2016	Ierulli et al.

(56)

References Cited

U.S. PATENT DOCUMENTS

2016/0278967	A1	9/2016	Ierulli	
2016/0278968	A1	9/2016	Ierulli	
2016/0339619	A1	11/2016	Gray et al.	
2017/0112653	A9	4/2017	Ierulli	
2017/0143531	A9	5/2017	Ierulli	
2017/0151084	A9	6/2017	Ierulli	
2018/0021163	A9	1/2018	Ierulli	
2018/0028346	A1	2/2018	Ierulli	
2018/0071131	A1	3/2018	Ierulli	
2019/0167464	A1	6/2019	Lovato	
2020/0315834	A1 *	10/2020	Ierulli	A61F 5/08
2020/0315835	A1 *	10/2020	Ierulli	A61F 5/08

* cited by examiner

FIG. 1

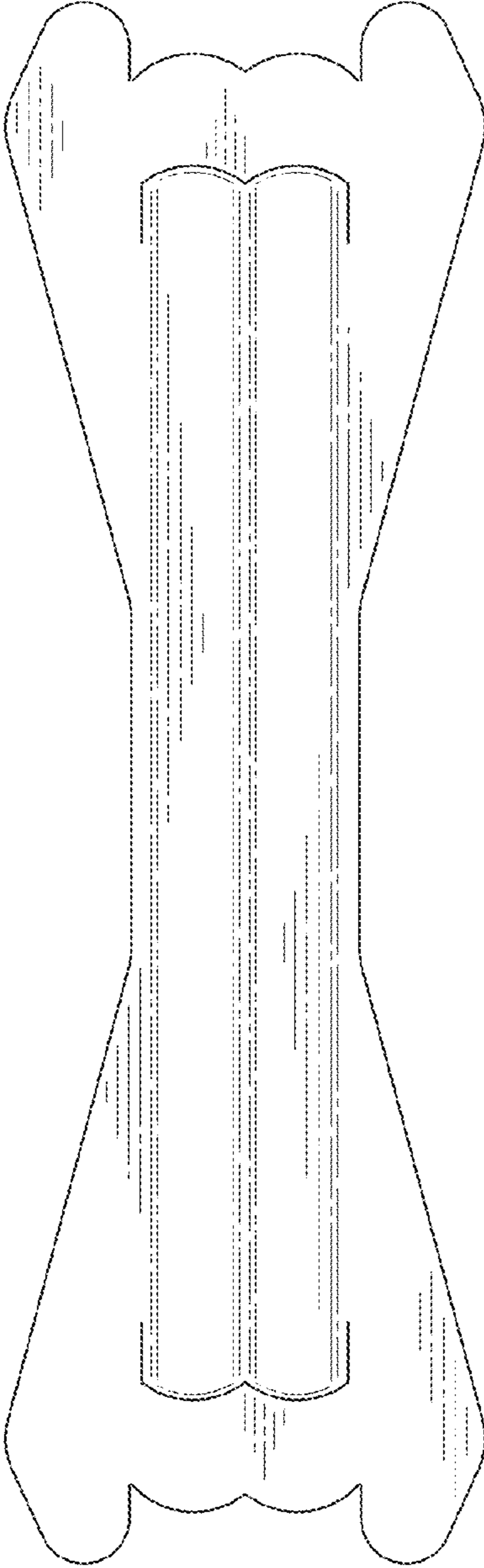
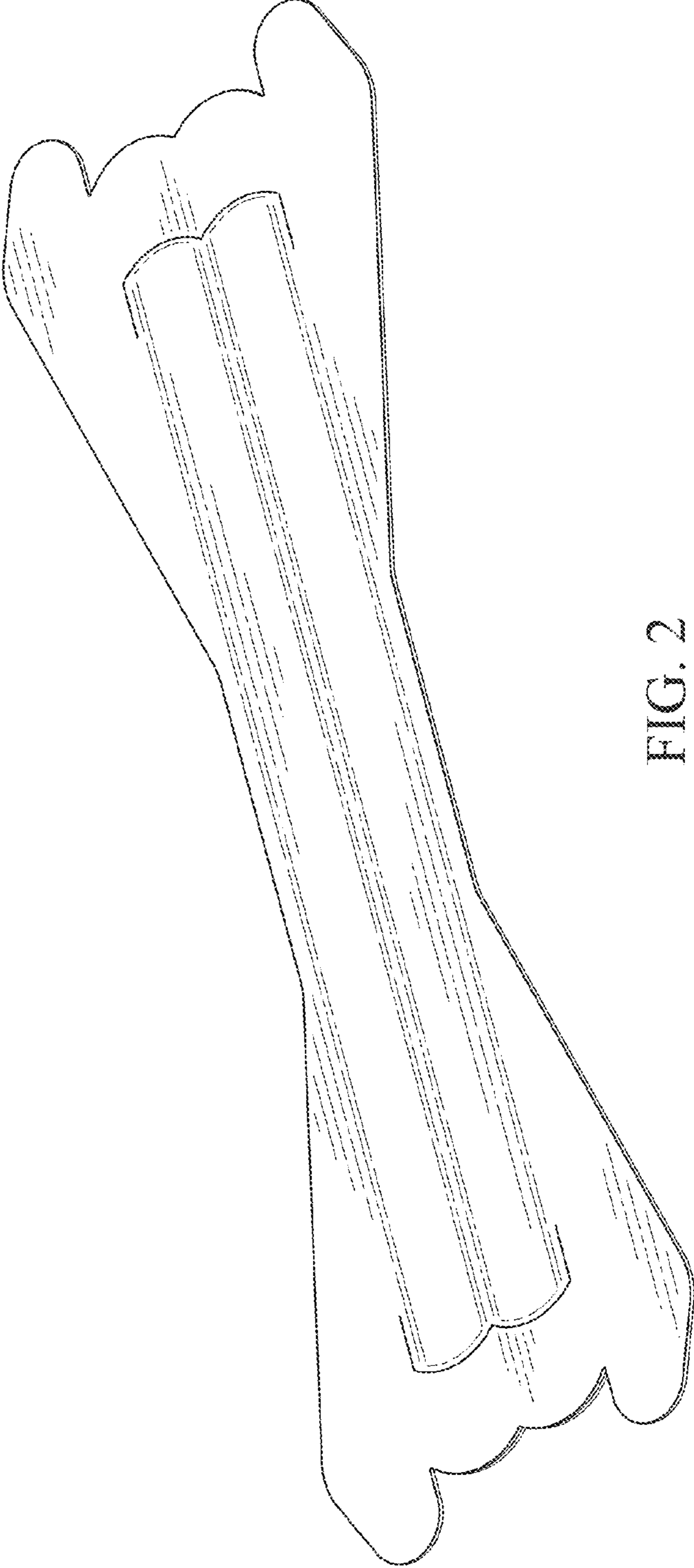


FIG. 2



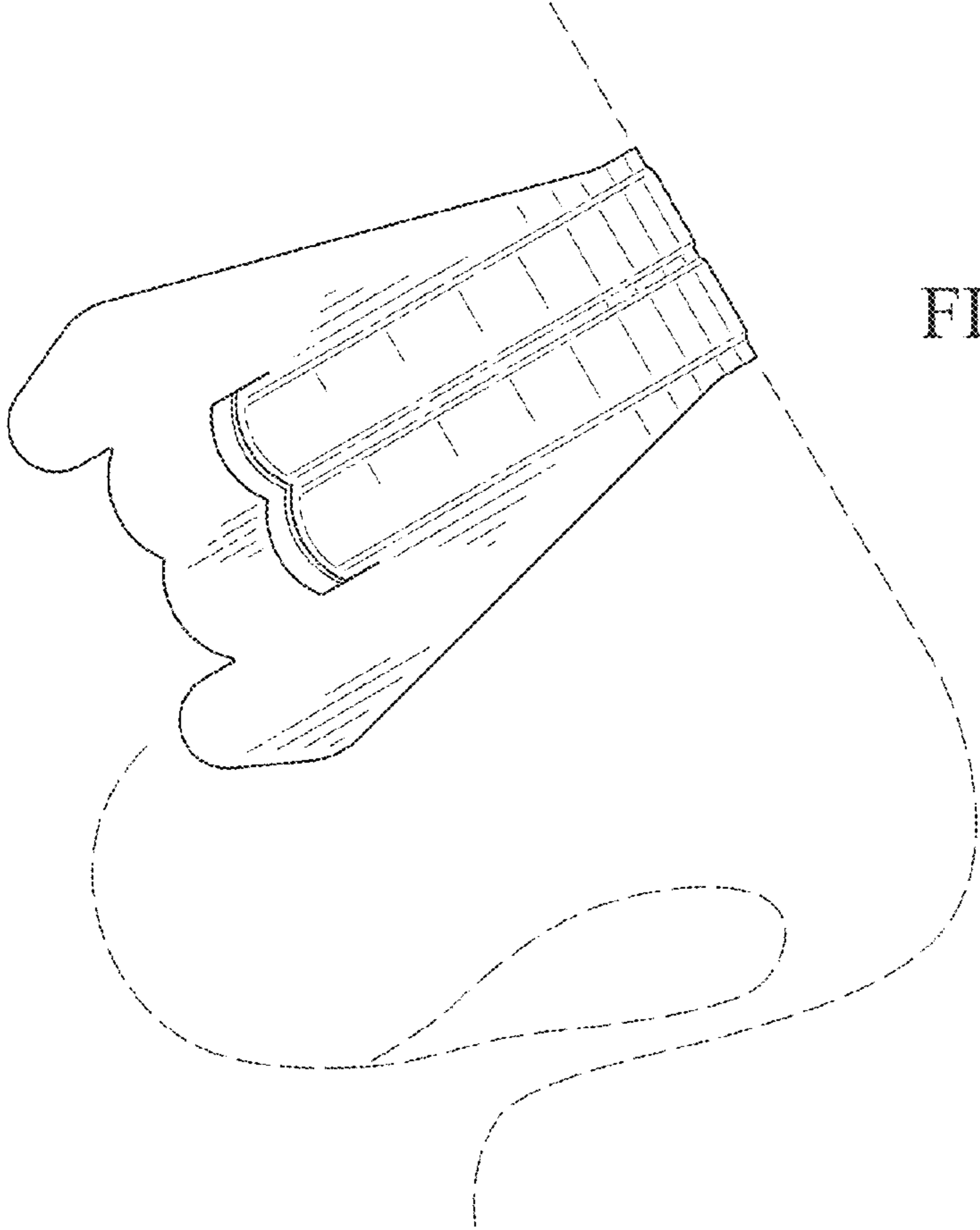


FIG. 4

FIG. 3

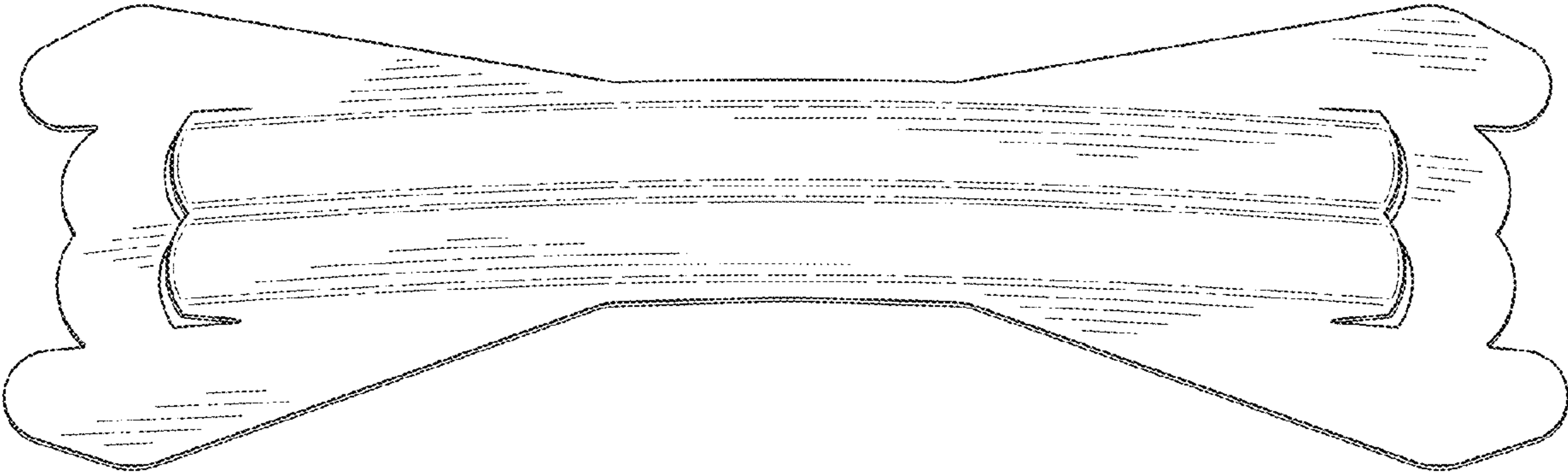


FIG. 5

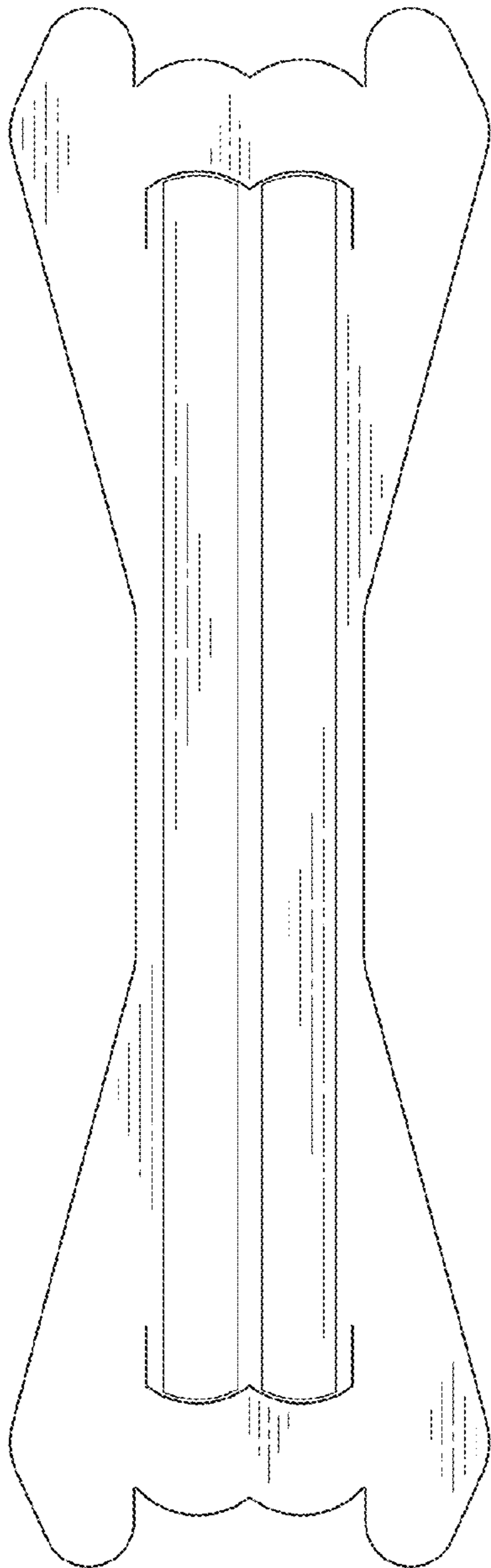
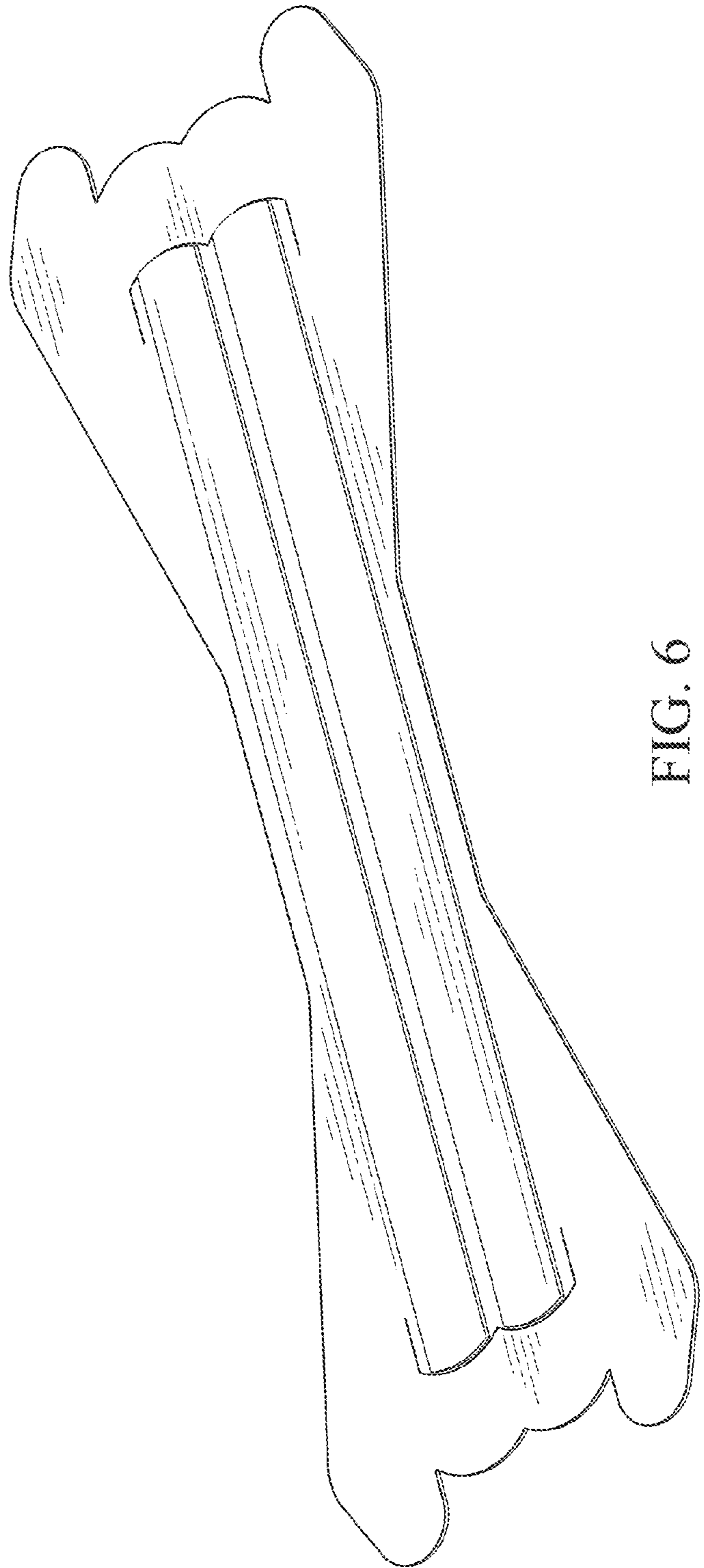


FIG. 6



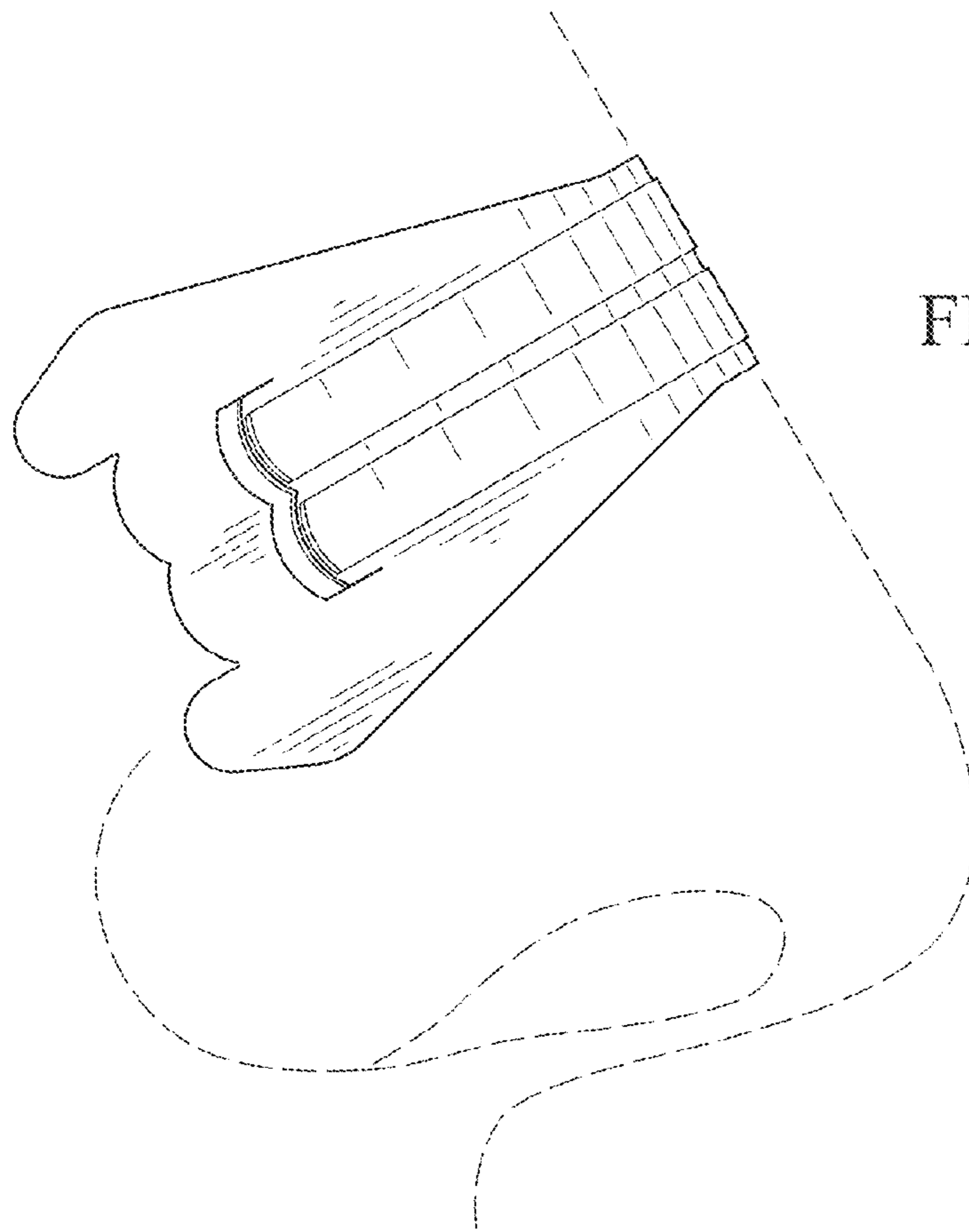


FIG. 8

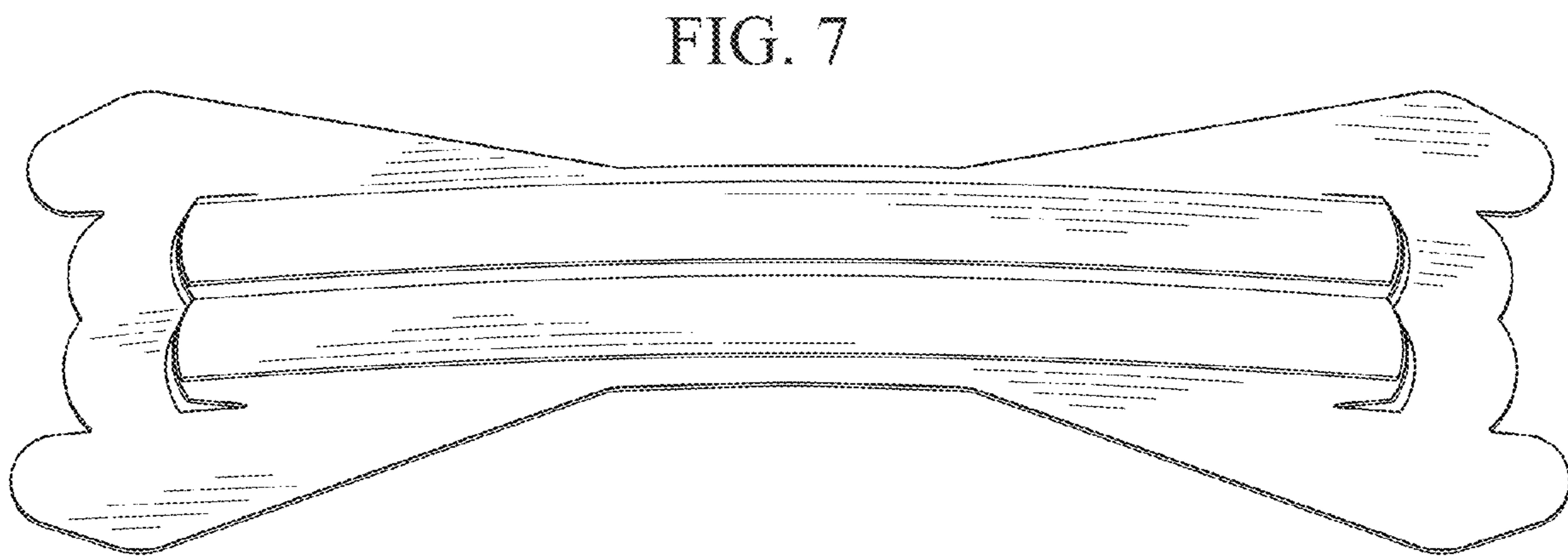


FIG. 7

FIG. 9

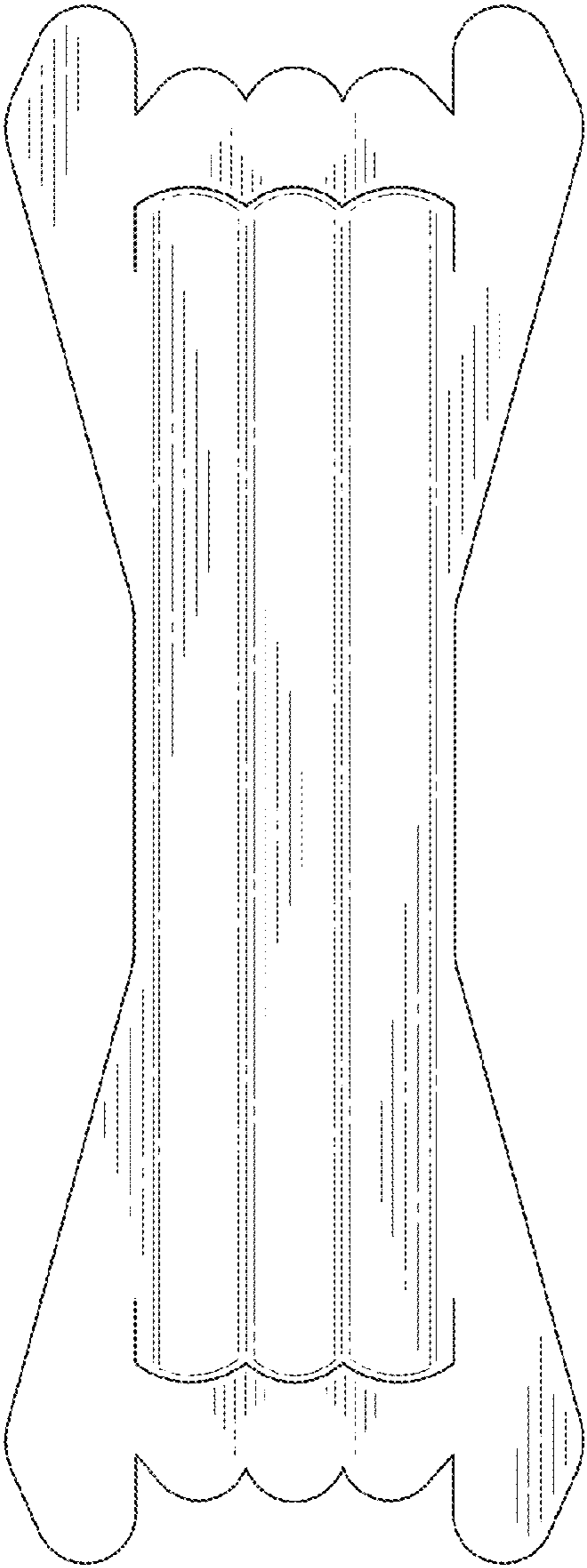
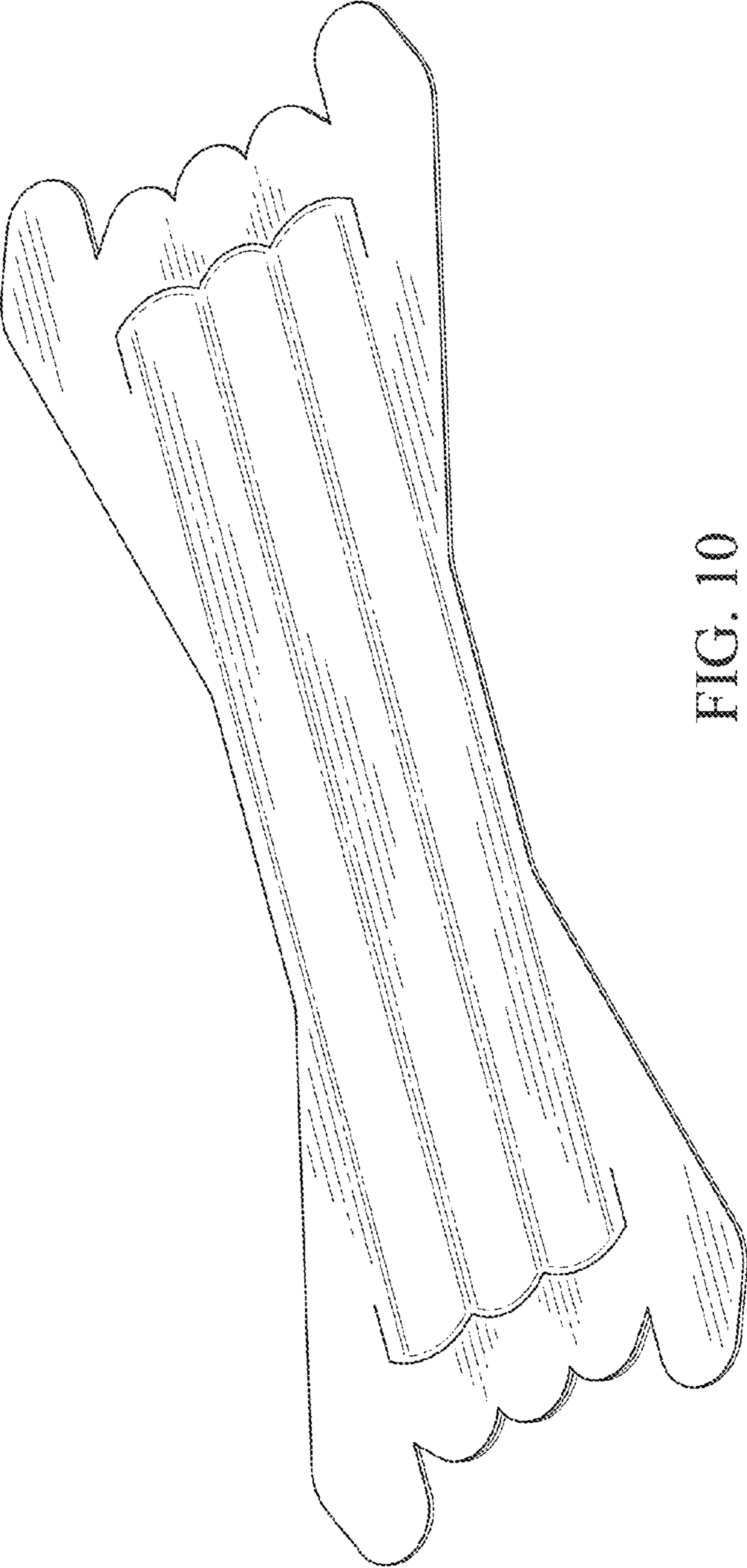


FIG. 10



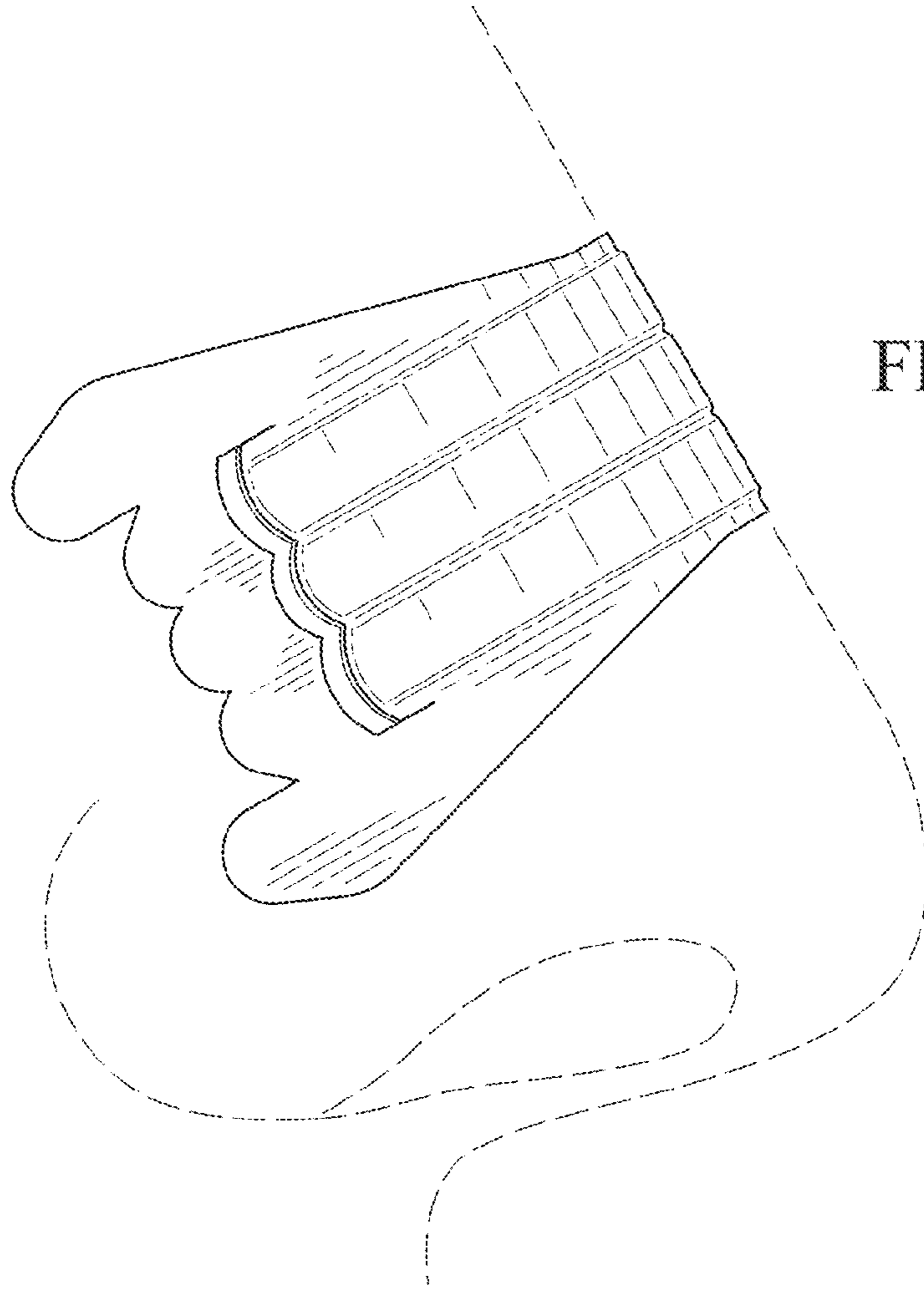
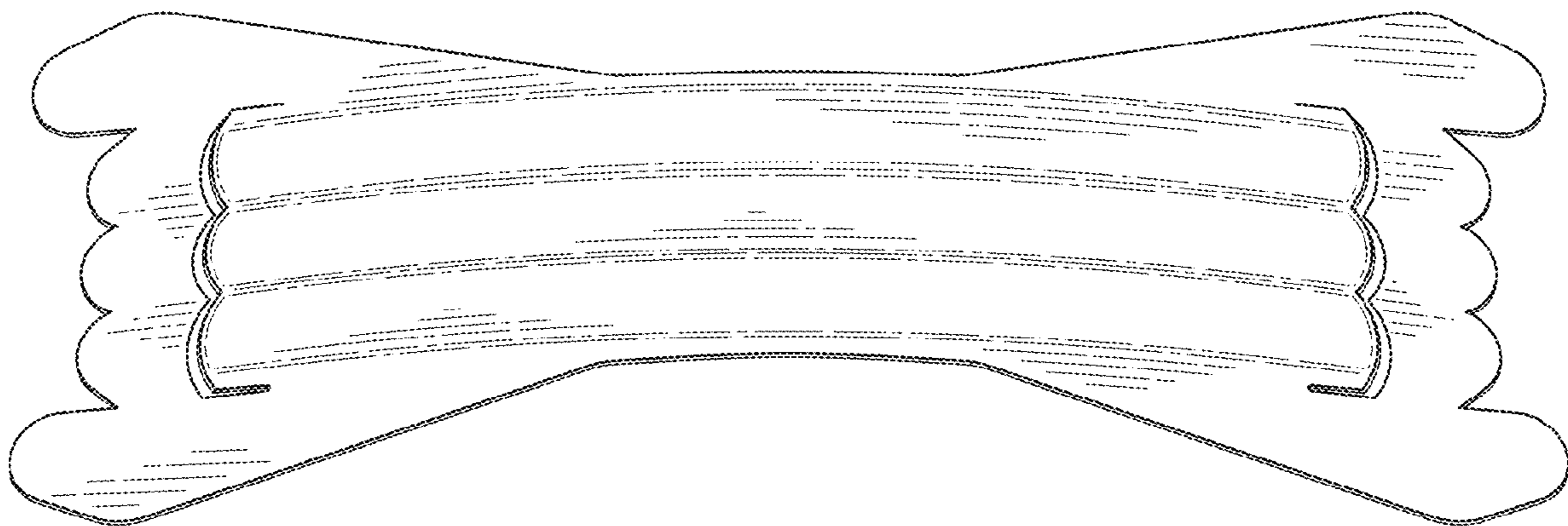


FIG. 12

FIG. 11



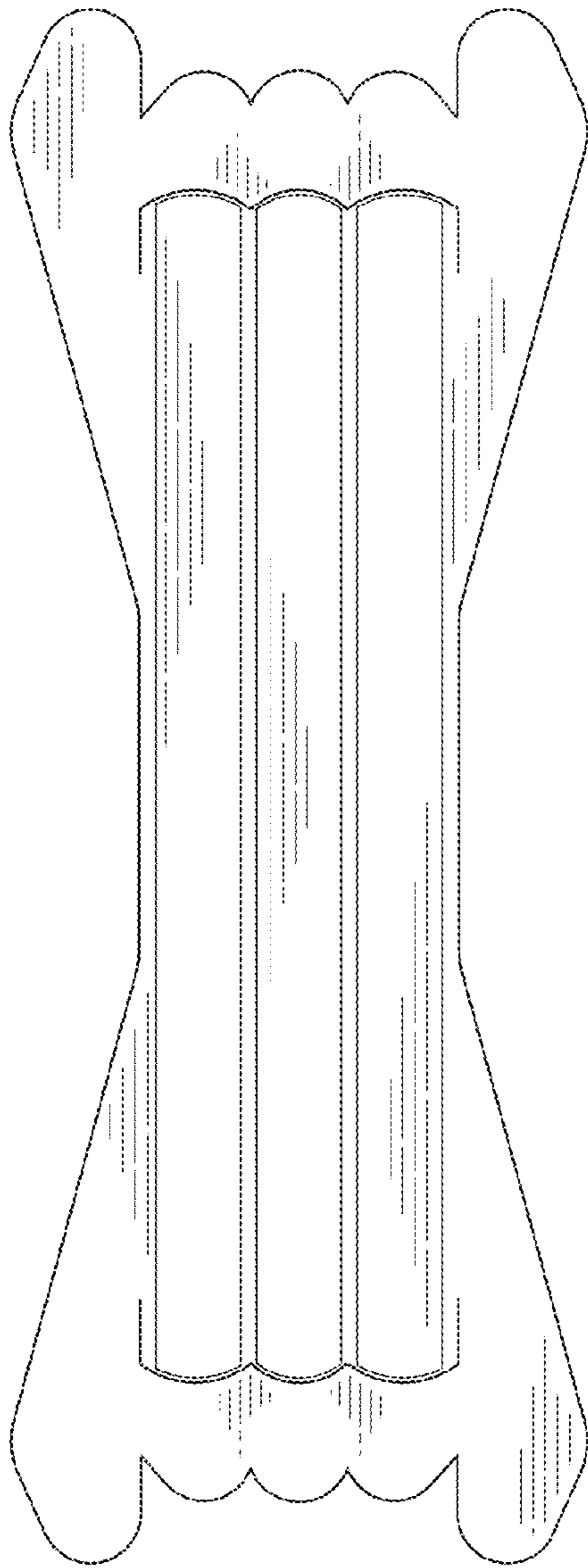


FIG. 13

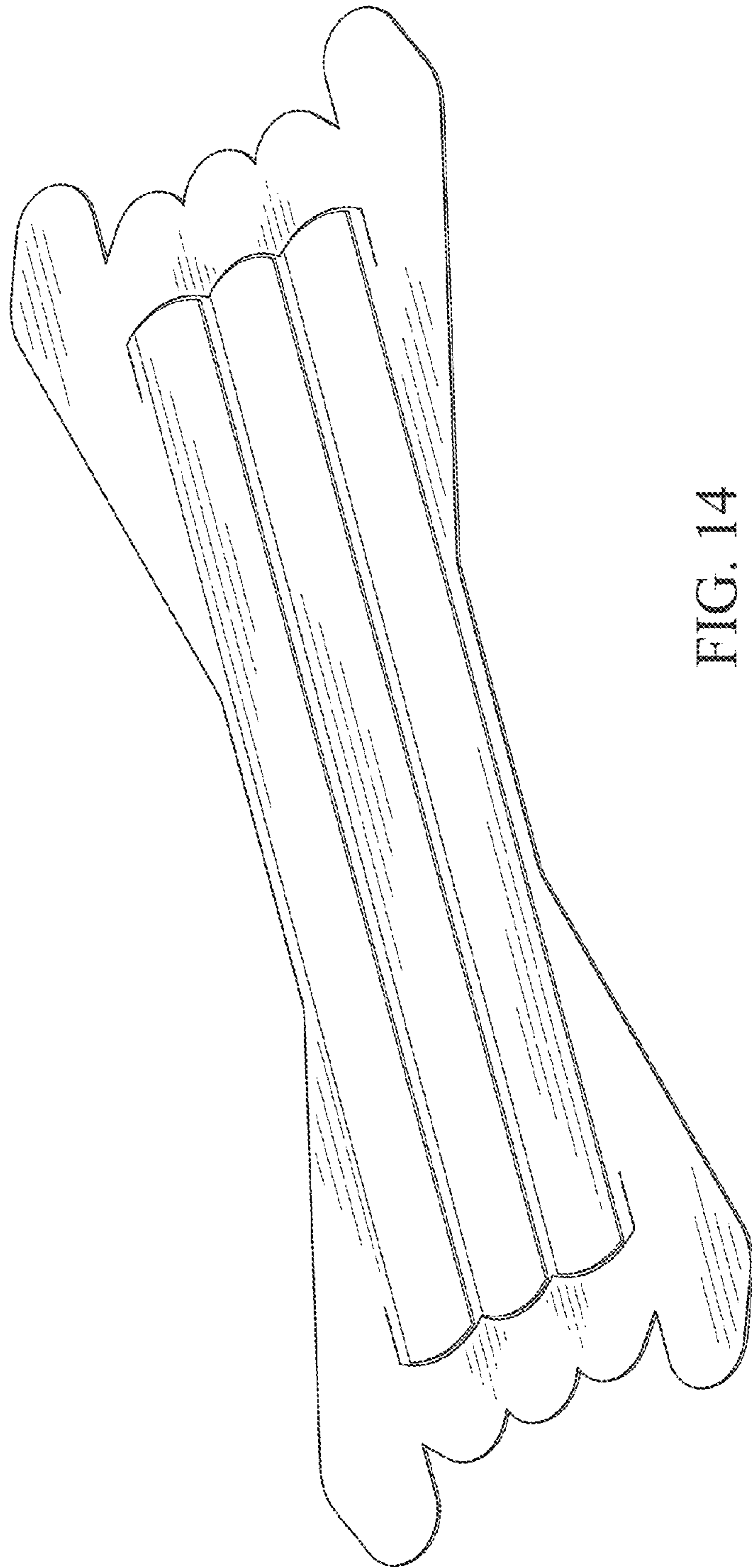


FIG. 14

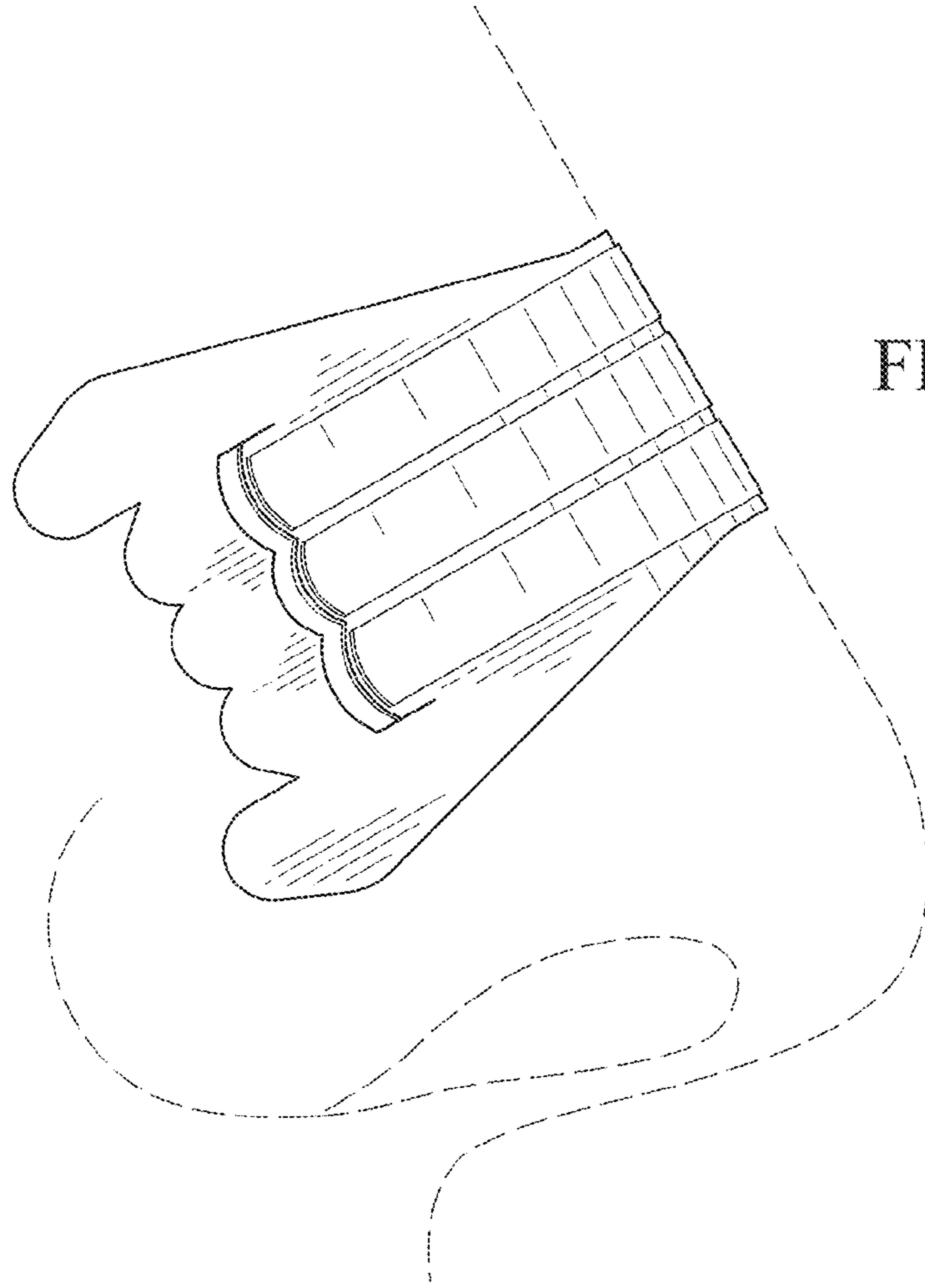


FIG. 16

FIG. 15

