



US00D932619S

(12) **United States Design Patent**  
**Gull**

(10) **Patent No.:** **US D932,619 S**

(45) **Date of Patent:** **\*\* Oct. 5, 2021**

(54) **STETHOSCOPE**

(71) Applicant: **Humara Gull**, Kingwood, TX (US)

(72) Inventor: **Humara Gull**, Kingwood, TX (US)

(73) Assignee: **INNOVATIONS INTERNATIONAL, LLC**, Kingwood, TX (US)

(\*\*) Term: **15 Years**

(21) Appl. No.: **29/700,174**

(22) Filed: **Jul. 31, 2019**

(51) **LOC (13) Cl.** ..... **24-02**

(52) **U.S. Cl.**  
USPC ..... **D24/134**

(58) **Field of Classification Search**

USPC ..... D24/133, 134, 135, 136, 140, 167, 189;  
D8/308, 315, 316, 318

CPC .. A61B 7/02; A61B 7/04; A61B 7/003; A61B  
5/024; A61B 5/7282; A61B 5/742; A61B  
17/17; A61B 17/16; A61B 17/11; A61B  
17/00; A61B 17/1675; A61B 17/1764;  
A61B 17/1767; A61B 18/00; A61B  
19/00; A61F 2/46; A61F 2/4601; A61F  
2/4603; A61F 2/461; A61F 2/3868; A61F  
2002/4631

See application file for complete search history.

(56) **References Cited**

**U.S. PATENT DOCUMENTS**

D143,924 S *	2/1946	McFadden	.....	D24/135
3,215,224 A *	11/1965	Machlup	.....	A61B 7/026 181/137
3,339,667 A *	9/1967	Speelman	.....	A61B 5/02233 181/137
3,455,293 A *	7/1969	Bethune	.....	A61B 5/332 600/513
3,515,239 A *	6/1970	Littmann	.....	A61B 7/026 181/137

D254,919 S *	5/1980	Bollinger	.....	D21/529
4,212,368 A *	7/1980	Allen	.....	A61B 7/026 181/131
D256,951 S *	9/1980	Allen	.....	D13/101
D269,295 S *	6/1983	Bloom	.....	D24/134
4,458,778 A *	7/1984	Bloom	.....	A61B 7/02 181/131
4,461,368 A *	7/1984	Plourde	.....	A61B 7/02 181/131
4,783,813 A *	11/1988	Kempka	.....	A61B 7/04 381/67
4,802,550 A *	2/1989	Poore	.....	A61B 7/02 181/131
4,991,686 A *	2/1991	Allen	.....	A61B 7/02 181/130
5,025,809 A *	6/1991	Johnson	.....	A61B 7/04 600/528
D323,033 S *	1/1992	Allen	.....	D24/134
5,189,264 A *	2/1993	Pearl	.....	A61B 7/02 181/131

(Continued)

*Primary Examiner* — T Chase Nelson  
*Assistant Examiner* — Kelly L Gross

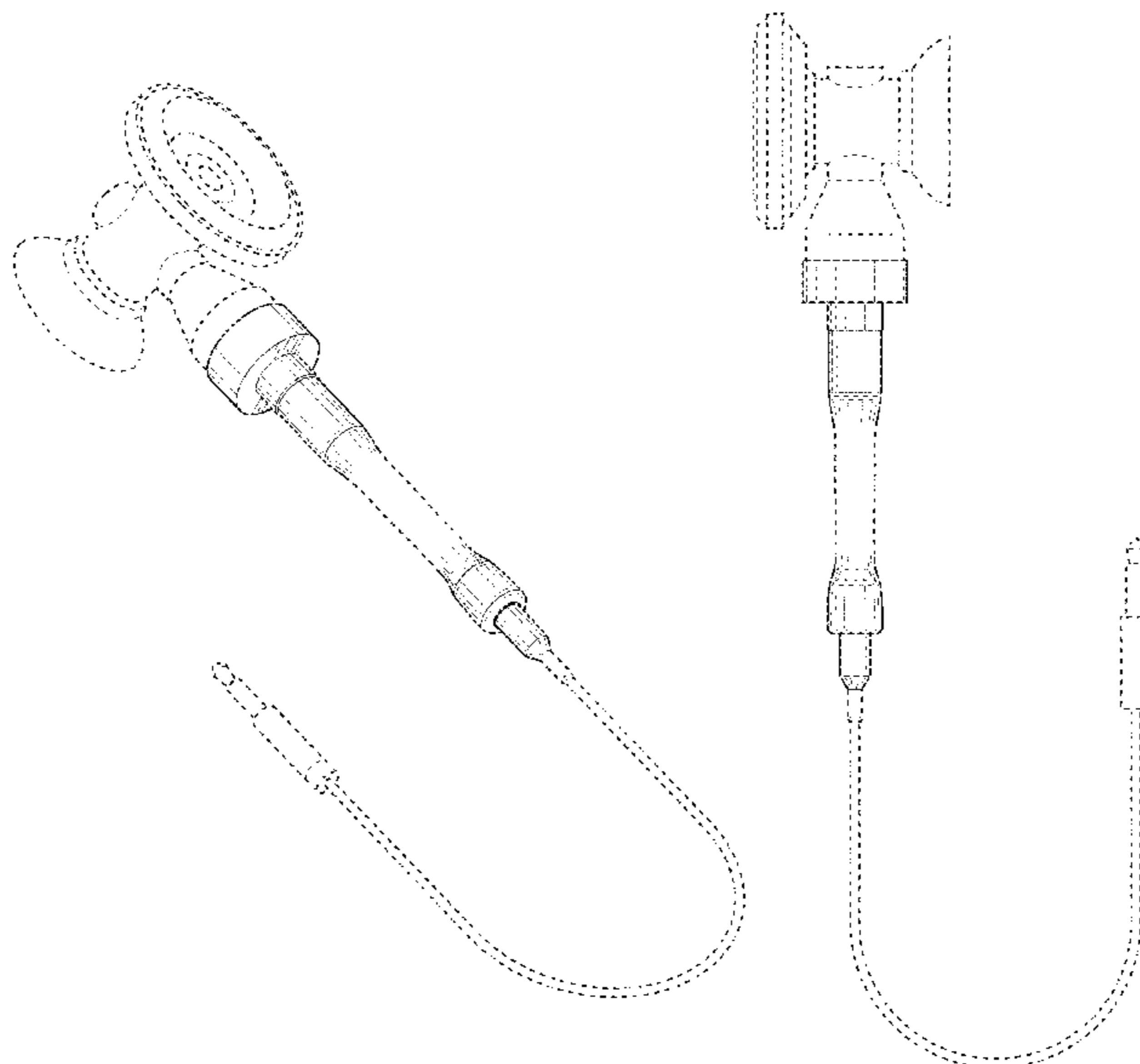
(57) **CLAIM**

The ornamental design for a stethoscope, as shown and described.

**DESCRIPTION**

FIG. 1 is a perspective view of a stethoscope, showing my new design;  
FIG. 2 is a front elevation view thereof;  
FIG. 3 is a rear elevation view thereof;  
FIG. 4 is a right elevation view thereof;  
FIG. 5 is a left elevation view thereof;  
FIG. 6 is a top plan view thereof; and,  
FIG. 7 is a bottom plan view thereof.  
The broken lines shown in the drawings depict portions of the stethoscope that form no part of the claimed design.

**1 Claim, 5 Drawing Sheets**



(56)

References Cited

U.S. PATENT DOCUMENTS

5,424,495	A *	6/1995	Wurzburger .....	A61B 7/026	D654,179	S	2/2012	Bedingham et al.
				181/131	D654,772	S *	2/2012	Freeman ..... D8/89
D361,840	S	8/1995	Savage et al.		D676,961	S	2/2013	Hatch et al.
D362,063	S *	9/1995	Savage .....	D24/134	D682,424	S	5/2013	Hasbun
5,514,840	A *	5/1996	Selinger .....	A61B 7/026	D740,415	S	10/2015	Johnson et al.
				181/131	D744,096	S *	11/2015	van Dullemen ..... D24/133
5,561,275	A	10/1996	Savage et al.		D746,802	S	1/2016	Mulumudi et al.
5,623,131	A	4/1997	Earnest		D748,785	S *	2/2016	Denison ..... D24/139
D389,576	S *	1/1998	Grasfield .....	D24/134	D752,767	S *	3/2016	Stock ..... D24/214
D394,314	S *	5/1998	Moore .....	D24/134	D756,514	S *	5/2016	Ohwa ..... D24/134
5,747,752	A *	5/1998	Selinger .....	A61B 7/02	D757,244	S *	5/2016	Sung ..... D24/110
				181/131	D757,529	S *	5/2016	Chen ..... D8/373
D398,056	S *	9/1998	Rashman .....	D24/134	D757,936	S *	5/2016	Angel ..... D24/134
D401,337	S *	11/1998	Rashman .....	D24/134	D757,937	S *	5/2016	Tsai ..... D24/135
5,909,495	A *	6/1999	Andrea .....	A61B 7/04	9,404,829	B1 *	8/2016	Tien ..... G01M 3/243
				381/67	D765,499	S *	9/2016	Chen ..... D8/373
5,945,641	A *	8/1999	Shieh .....	A61B 7/02	D771,188	S *	11/2016	Csokmay ..... D19/170
				181/131	D787,684	S *	5/2017	Vezina ..... D24/187
6,015,024	A *	1/2000	Rashman .....	A61B 7/026	D814,631	S *	4/2018	Kody ..... D24/134
				181/131	D845,809	S *	4/2019	Knapp ..... D10/107
6,019,187	A *	2/2000	Appavu .....	A61B 7/02	D855,801	S *	8/2019	Connolly ..... D24/134
				181/131	D861,347	S *	10/2019	Abuyounes ..... D3/318
D432,237	S	10/2000	Shick		D865,167	S *	10/2019	Kirgizov ..... D24/134
6,202,784	B1 *	3/2001	Alatriste .....	A61B 1/227	D875,927	S *	2/2020	Ohashi ..... D24/134
				181/131	D880,703	S *	4/2020	Emery ..... D24/187
6,206,134	B1 *	3/2001	Stark .....	A61B 7/02	D880,720	S *	4/2020	Yang ..... D24/217
				181/131	D902,414	S *	11/2020	Hodgson ..... D24/187
D445,184	S *	7/2001	Meyer .....	D24/134	D907,215	S *	1/2021	Hodgson ..... D24/187
D477,405	S	7/2003	Sommerfeld et al.		D911,520	S *	2/2021	Lin ..... D24/134
D477,874	S *	7/2003	Sommerfeld .....	D24/134	D915,075	S *	4/2021	Abuyounes ..... D3/318
D485,357	S *	1/2004	Kapinos, Sr. ....	D24/134	2004/0114767	A1 *	6/2004	Tseng ..... A61B 7/02
D487,928	S *	3/2004	Drummond .....	D24/134				381/67
D505,491	S *	5/2005	Nessel .....	D24/134	2004/0226771	A1	11/2004	Werblud
6,966,400	B1 *	11/2005	Rollins .....	A61B 7/02	2005/0157887	A1	7/2005	Kim
				181/131	2012/0190303	A1 *	7/2012	Wong ..... A61B 7/02
D525,360	S *	7/2006	Nakamura .....	D24/134				455/41.2
D527,819	S	9/2006	Poulsen et al.		2012/0310115	A1 *	12/2012	Bedingham ..... A61B 5/002
D536,448	S *	2/2007	Jackson .....	D24/134				600/586
D555,789	S	11/2007	Norleen		2014/0005574	A1 *	1/2014	Ting ..... A61B 7/02
D589,144	S	3/2009	Bagha et al.					600/586
D621,504	S *	8/2010	Martinez .....	D24/134	2014/0107515	A1 *	4/2014	Lee ..... A61B 7/008
D625,804	S	10/2010	Stemberger					600/528
D635,667	S	4/2011	Soerensen et al.		2016/0095571	A1 *	4/2016	Shams ..... A61B 8/0866
D639,427	S	6/2011	Boyd et al.					600/586
D650,487	S *	12/2011	Briscoe .....	D24/211	2019/0133548	A1 *	5/2019	Cai ..... A61B 8/565
					2020/0098345	A1 *	3/2020	Loriaux ..... A61B 7/02
					2020/0155112	A1 *	5/2020	Gross ..... A61B 50/31
					2020/0205770	A1 *	7/2020	Friedman ..... H04R 1/46

\* cited by examiner

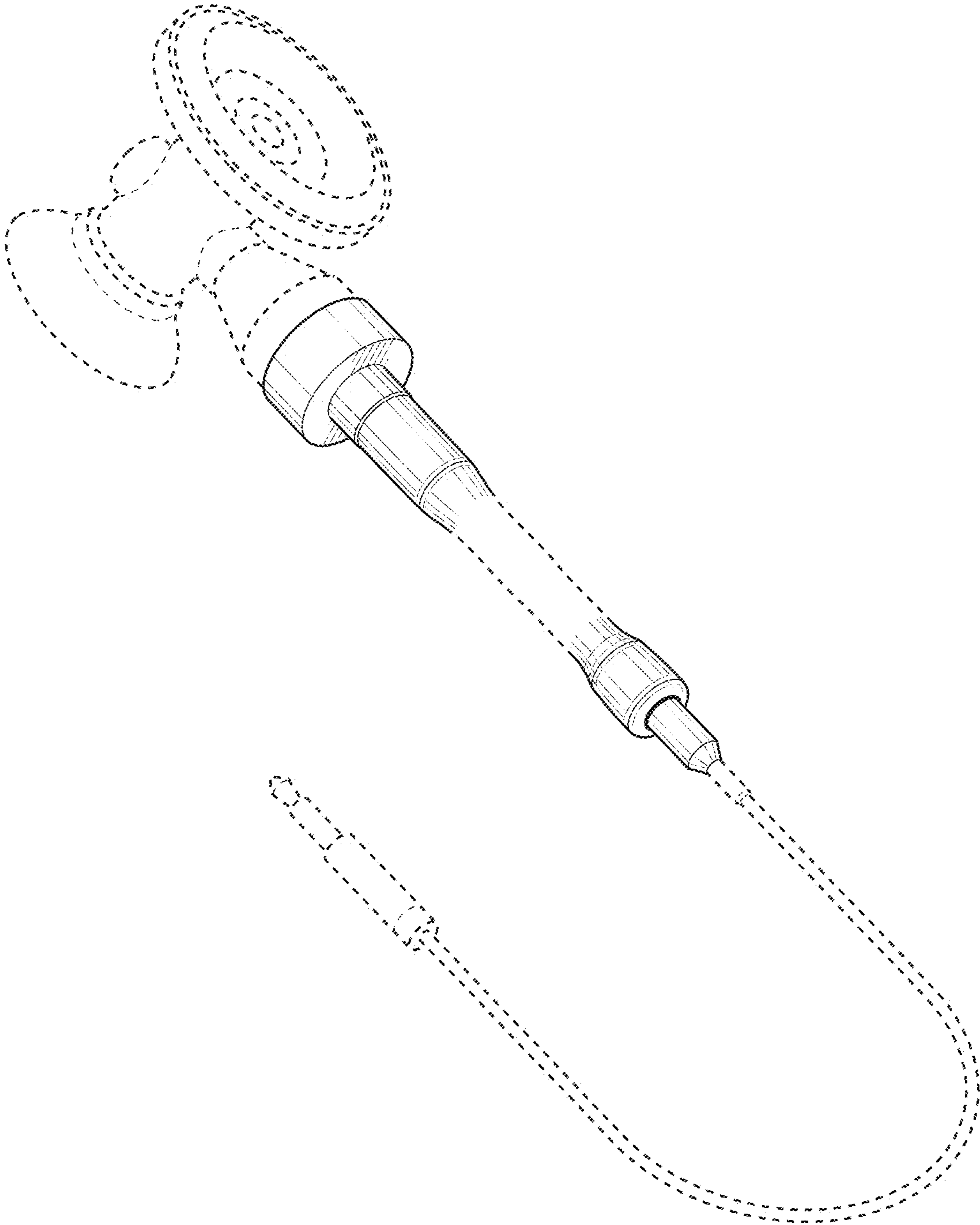


FIG. 1

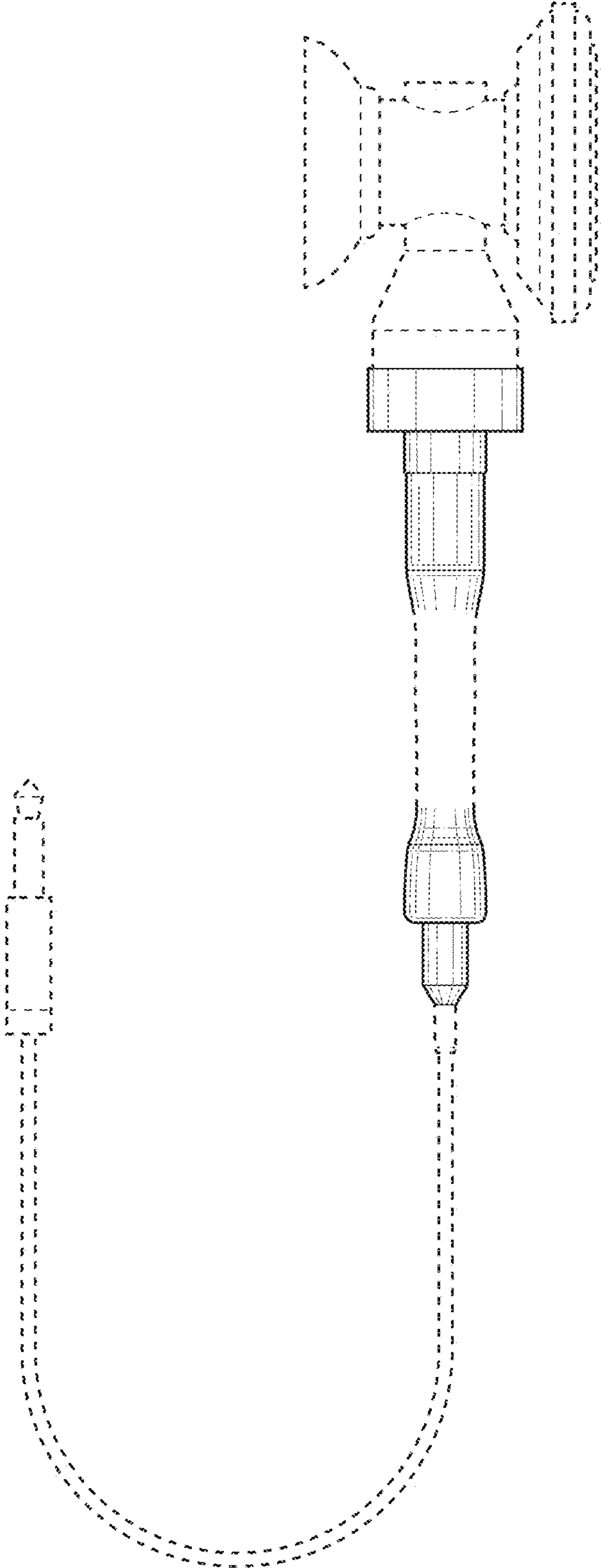


FIG. 2



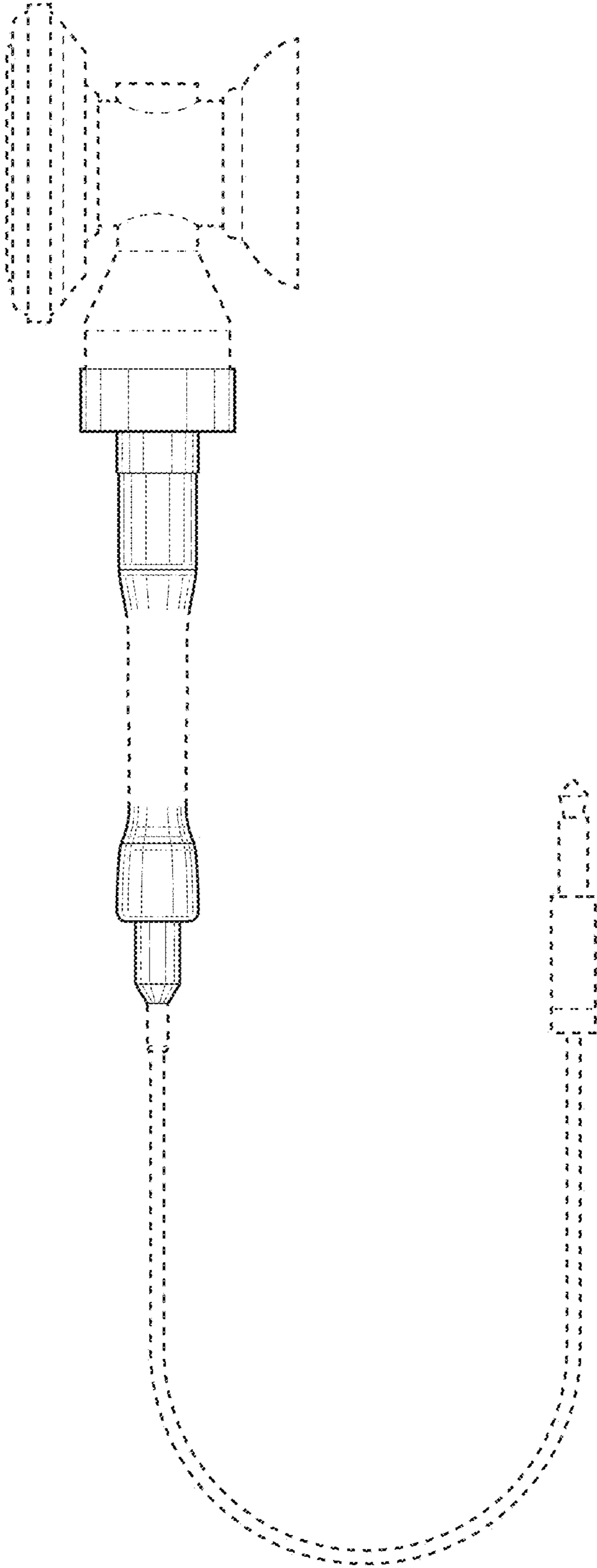


FIG. 3

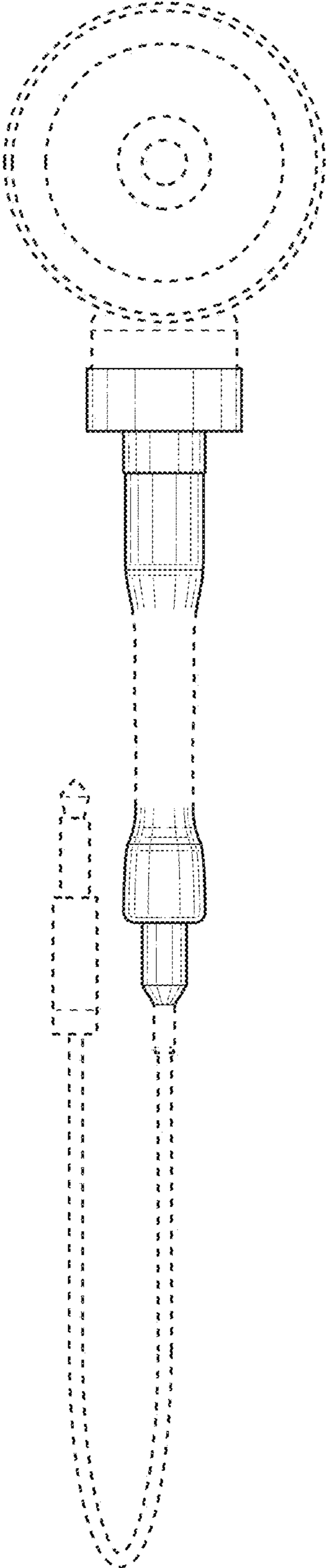


FIG. 4

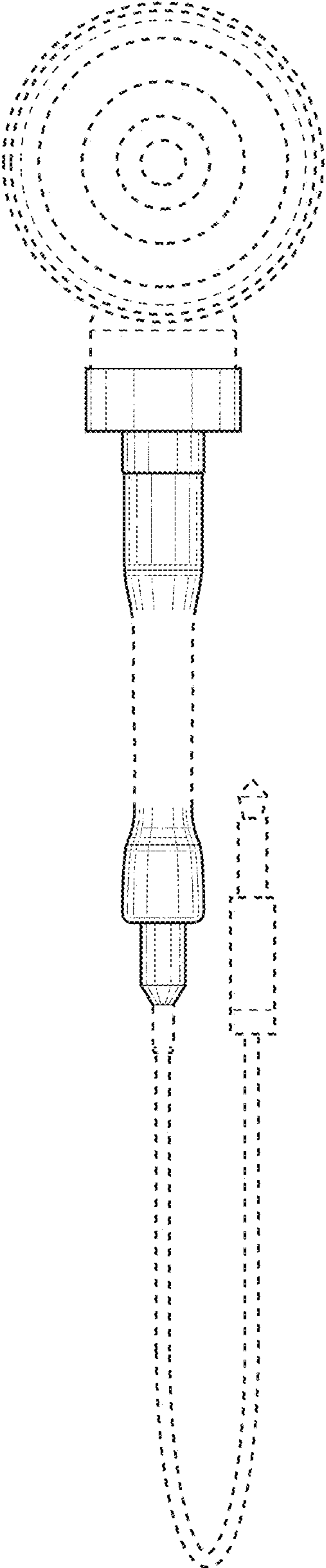
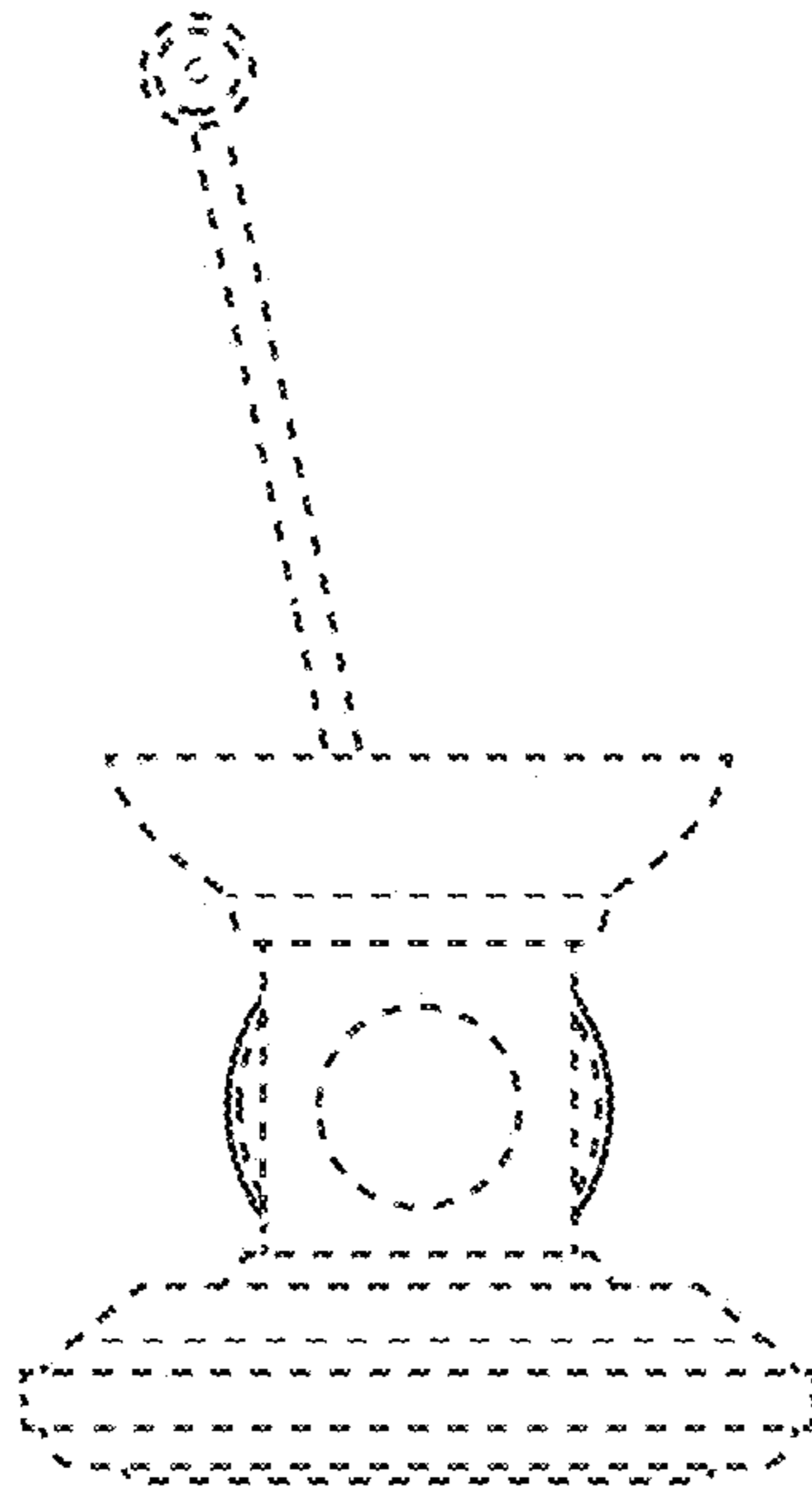
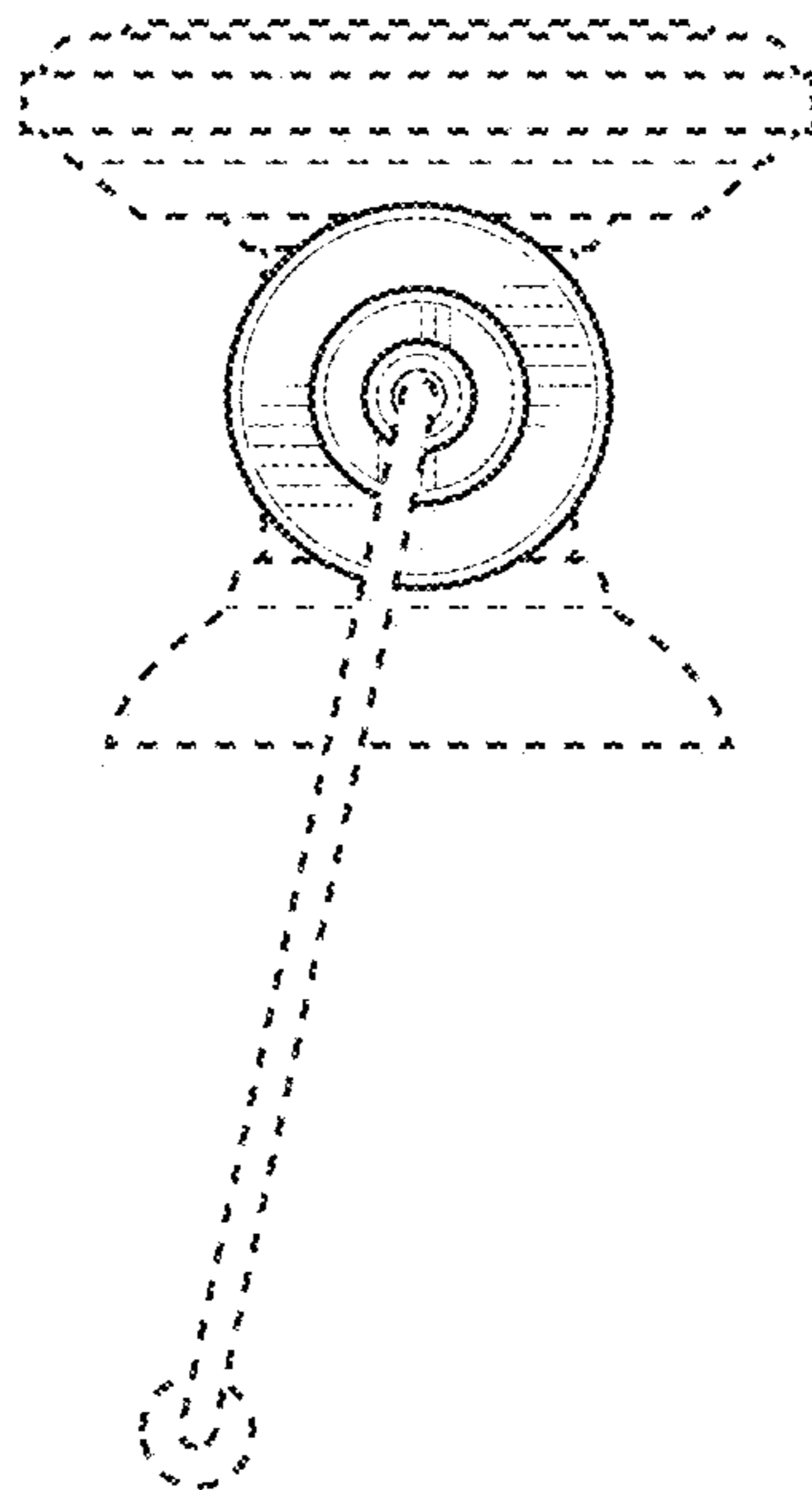


FIG. 5



**FIG. 6**



**FIG. 7**