



US00D932618S

(12) **United States Design Patent**
Iles et al.

(10) **Patent No.:** **US D932,618 S**
(45) **Date of Patent:** **** Oct. 5, 2021**

(54) **DIAGNOSTIC DEVICE**

(71) Applicant: **HUNTLEIGH TECHNOLOGY LIMITED**, Dunstable (GB)

(72) Inventors: **John Albert David Iles**, Cardiff (GB);
David Gillman Barber, Gwent (GB);
Robert Francis McCarthy, Cardiff (GB);
Francis Gregory Baily, Cardiff (GB)

(73) Assignee: **Huntleigh Technology Limited**

(**) Term: **15 Years**

(21) Appl. No.: **29/560,084**

(22) Filed: **Apr. 1, 2016**

(51) **LOC (13) Cl.** **24-02**

(52) **U.S. Cl.**
USPC **D24/133**

(58) **Field of Classification Search**
USPC D24/133, 158, 160, 164, 186, 165-168,
D24/185, 187, 107; D10/70, 97, 98;
(Continued)

(56) **References Cited**

U.S. PATENT DOCUMENTS

3,729,998 A * 5/1973 Mueller G01K 7/42
374/102
4,008,614 A * 2/1977 Turner G01K 1/083
374/158

(Continued)

Primary Examiner — Manpreet S Matharu

Assistant Examiner — Yolanda Robinson

(74) *Attorney, Agent, or Firm* — The Webb Law Firm

(57) **CLAIM**

The ornamental design for a diagnostic device, as shown and described.

DESCRIPTION

FIG. 1 is an exploded elevated perspective view of a diagnostic device, showing our new design.

FIG. 2 is an elevated perspective view of the diagnostic device of FIG. 1.

FIG. 3 is an exploded front elevation view of the diagnostic device of FIG. 1.

FIG. 4 is a front elevation view of the diagnostic device of FIG. 1.

FIG. 5 is an exploded right side elevation view of the diagnostic device of FIG. 1.

FIG. 6 is a right side elevation view of the diagnostic device of FIG. 1.

FIG. 7 is an exploded left side elevation view of the diagnostic device of FIG. 1.

FIG. 8 is a left side elevation view of the diagnostic device of FIG. 1.

FIG. 9 is an exploded rear elevation view of the diagnostic device of FIG. 1.

FIG. 10 is a rear elevation view thereof.

FIG. 11 is an exploded elevated rear perspective view of the diagnostic device of FIG. 1.

FIG. 12 is an elevated rear perspective view of the diagnostic device of FIG. 1.

FIG. 13 is an exploded top view of the diagnostic device of FIG. 1.

FIG. 14 is a top view of the diagnostic device of FIG. 1.

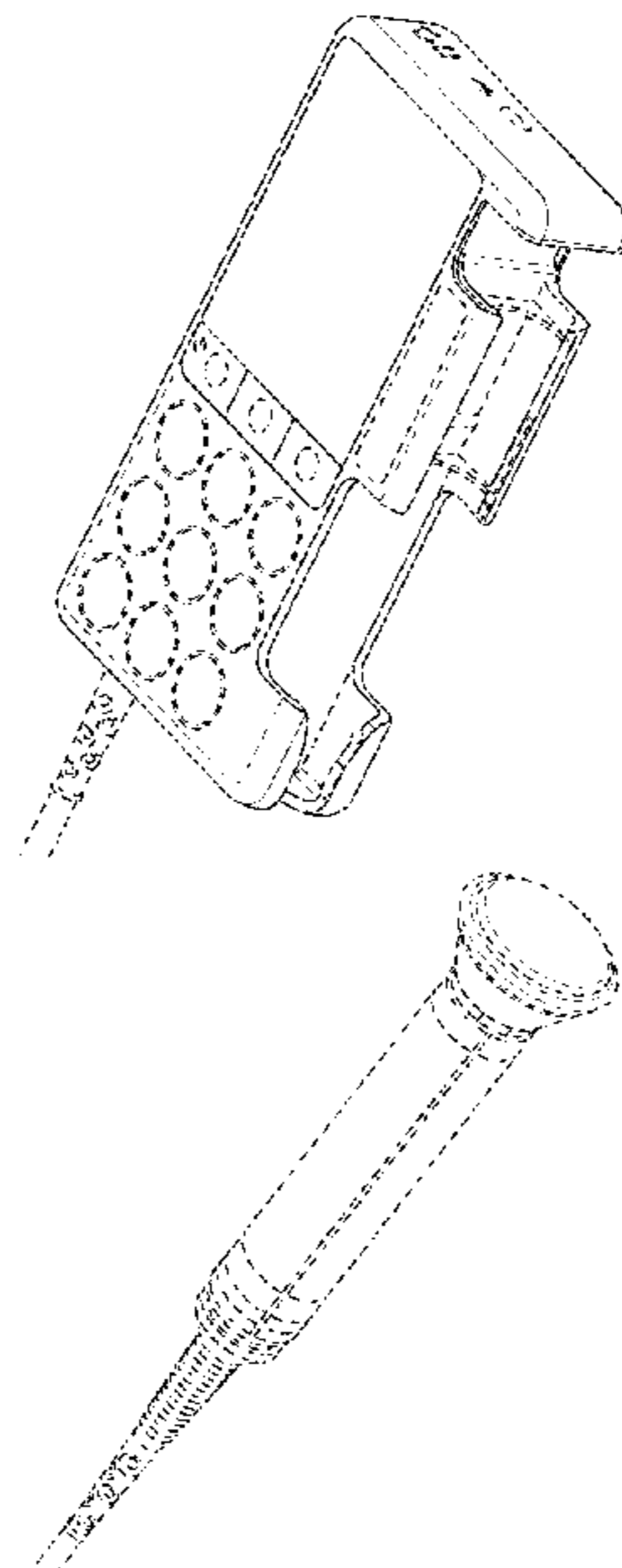
FIG. 15 is an exploded bottom view of the diagnostic device of FIG. 1.

FIG. 16 is a bottom view of the diagnostic device of FIG. 1; and,

FIG. 17 is an embodiment of a display that can be displayed on a screen of the above diagnostic device or on other medical devices.

The portions of the diagnostic device shown in broken lines form no part of the claimed design.

1 Claim, 9 Drawing Sheets



US D932,618 S

Page 2

(58) **Field of Classification Search**

USPC ... 600/301, 382-384, 3, 390, 483, 500-503,
600/508, 509, 513; 128/DIG. 15;
D14/341
CPC A61B 8/4405; A61B 5/205; A61B 5/021
See application file for complete search history.

(56) **References Cited**

U.S. PATENT DOCUMENTS

D307,558 S * 5/1990 Messina D10/57
D335,260 S * 5/1993 Choi D10/57
D395,609 S * 6/1998 Knieriem D10/57
D535,202 S * 1/2007 Sisk G01K 1/02
D10/57
D548,626 S * 8/2007 Sisk G01K 1/02
D10/57
D611,991 S * 3/2010 Slowey D19/59
D717,459 S * 11/2014 Lin D24/216
8,986,527 B2 * 3/2015 Lin G01N 27/26
204/411

D738,503 S * 9/2015 Md Kassim D24/150
D739,037 S * 9/2015 Lin D24/216
D748,272 S * 1/2016 Knieriem D24/186
D748,807 S * 2/2016 Wawro D24/186
D752,997 S * 4/2016 Miller D10/52
D759,254 S * 6/2016 Knieriem D24/186
D790,708 S * 6/2017 Personelli D24/158
D800,912 S * 10/2017 Uzri D24/216
D819,040 S * 5/2018 Grace D14/485
2003/0214999 A1 * 11/2003 Chapman G01K 1/024
374/170
2004/0146087 A1 * 7/2004 Penney G01K 13/002
374/170
2006/0072645 A1 * 4/2006 Quinn G01K 7/42
374/163
2016/0030669 A1 * 2/2016 Harris A61M 5/1723
604/66
2016/0374612 A9 * 12/2016 Hulvershorn A61B 5/0215
600/301
2018/0289325 A1 * 10/2018 Poeze A61B 5/14551

* cited by examiner

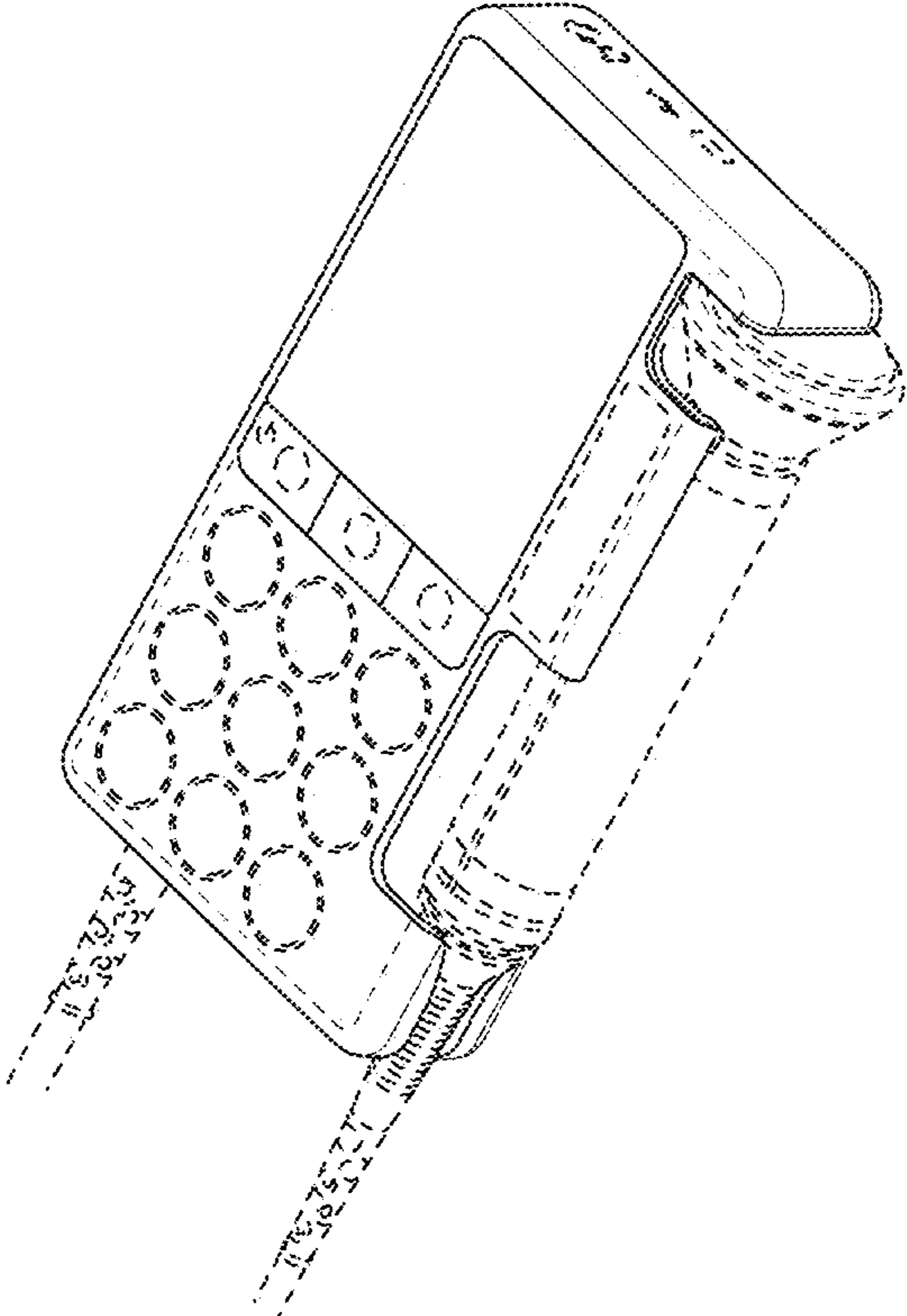
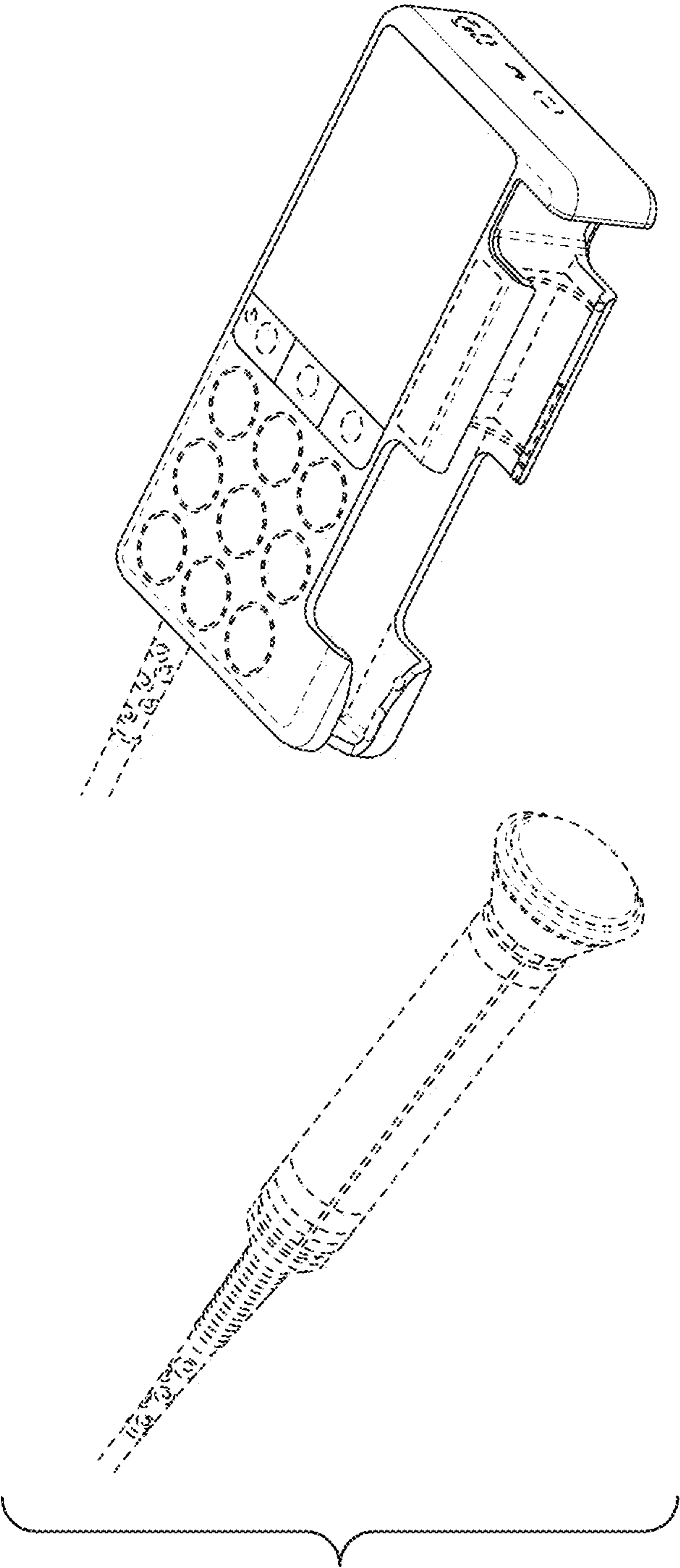


FIG. 2

FIG. 1

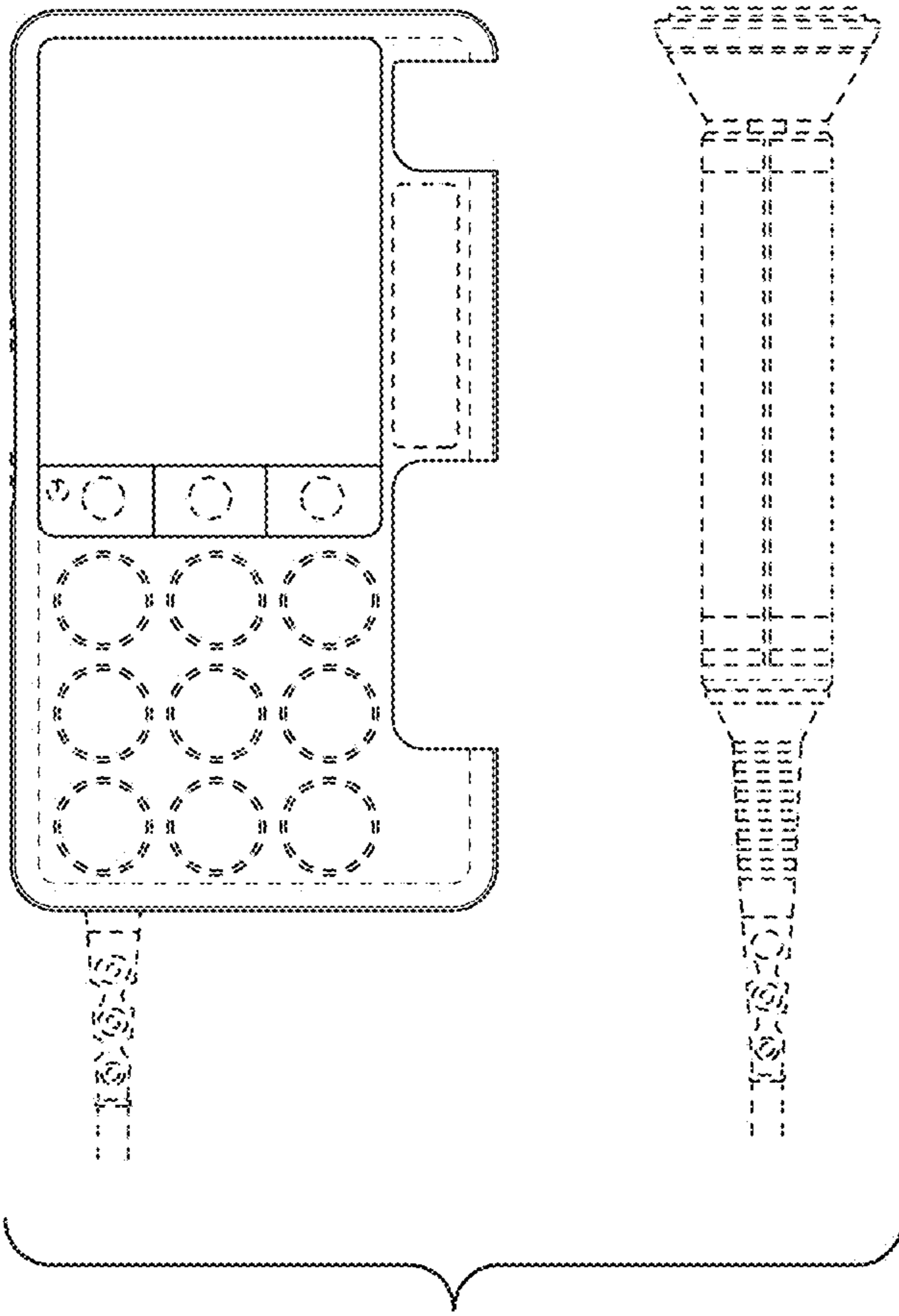


FIG. 3

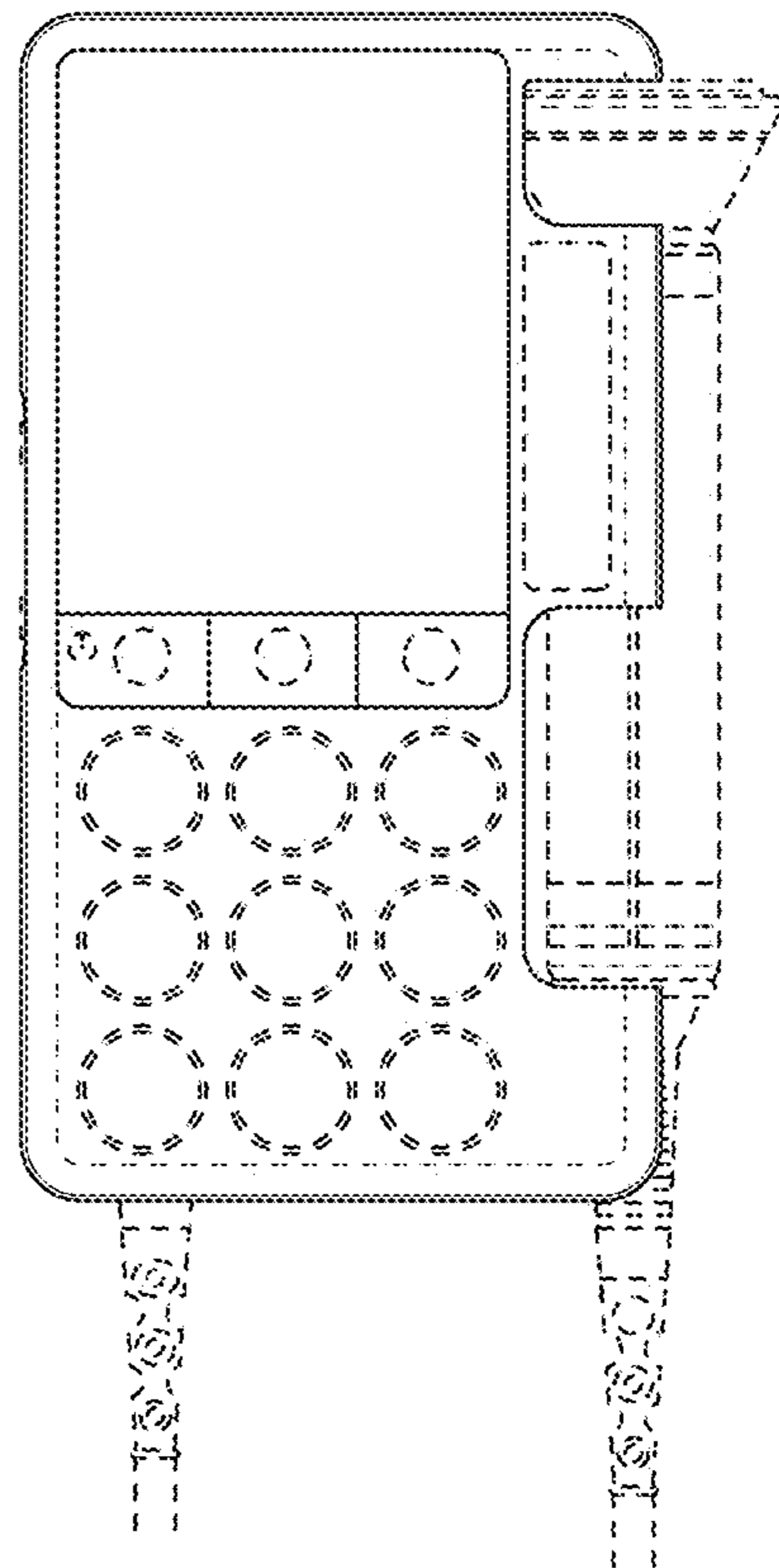
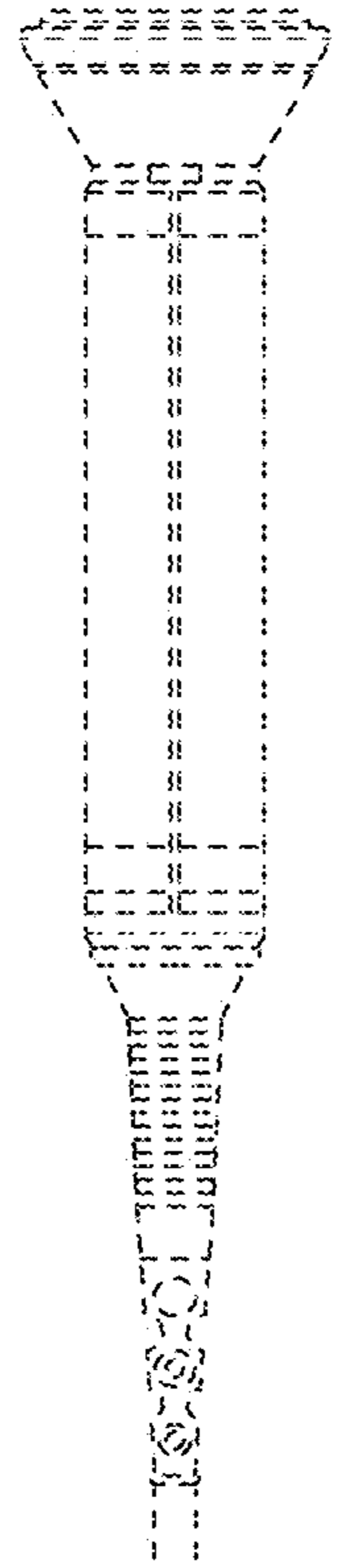


FIG. 4

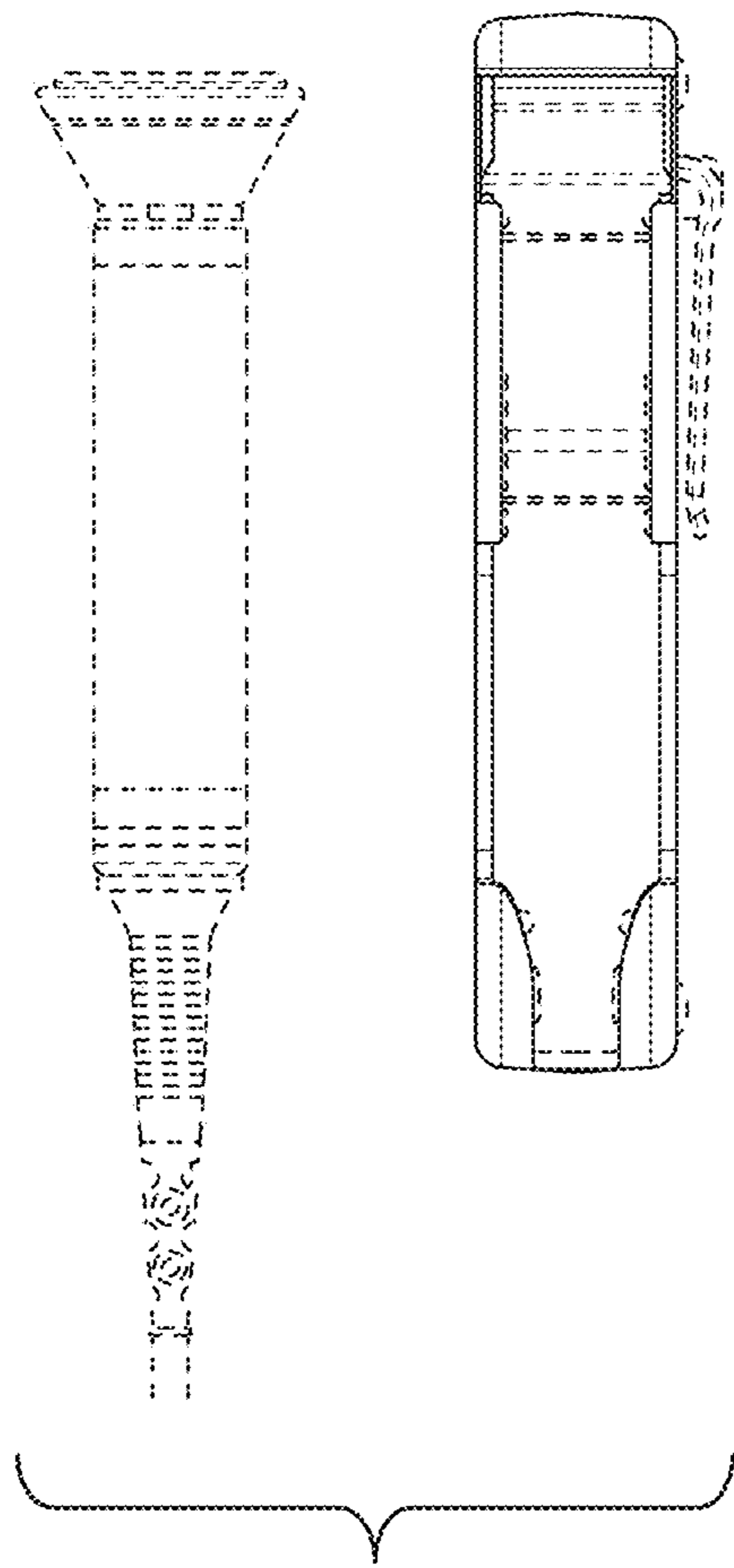


FIG. 5

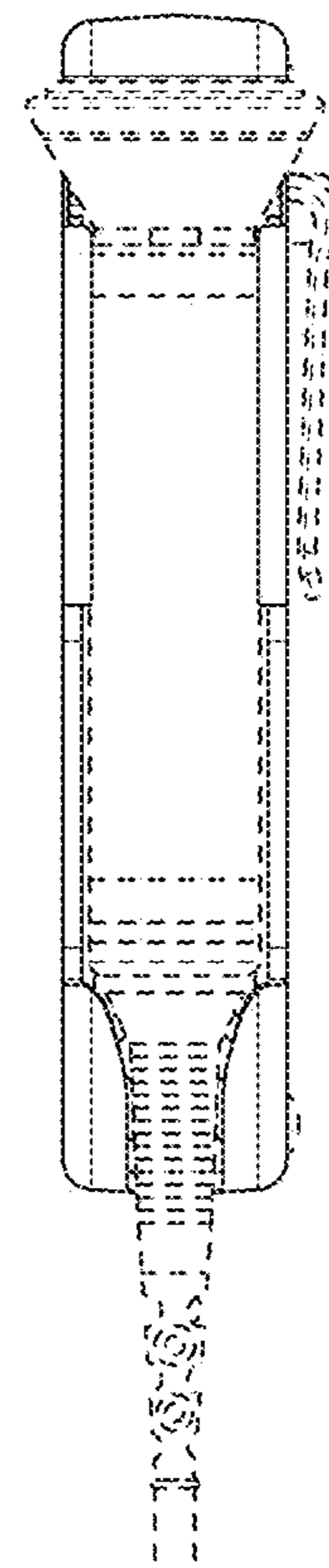


FIG. 6

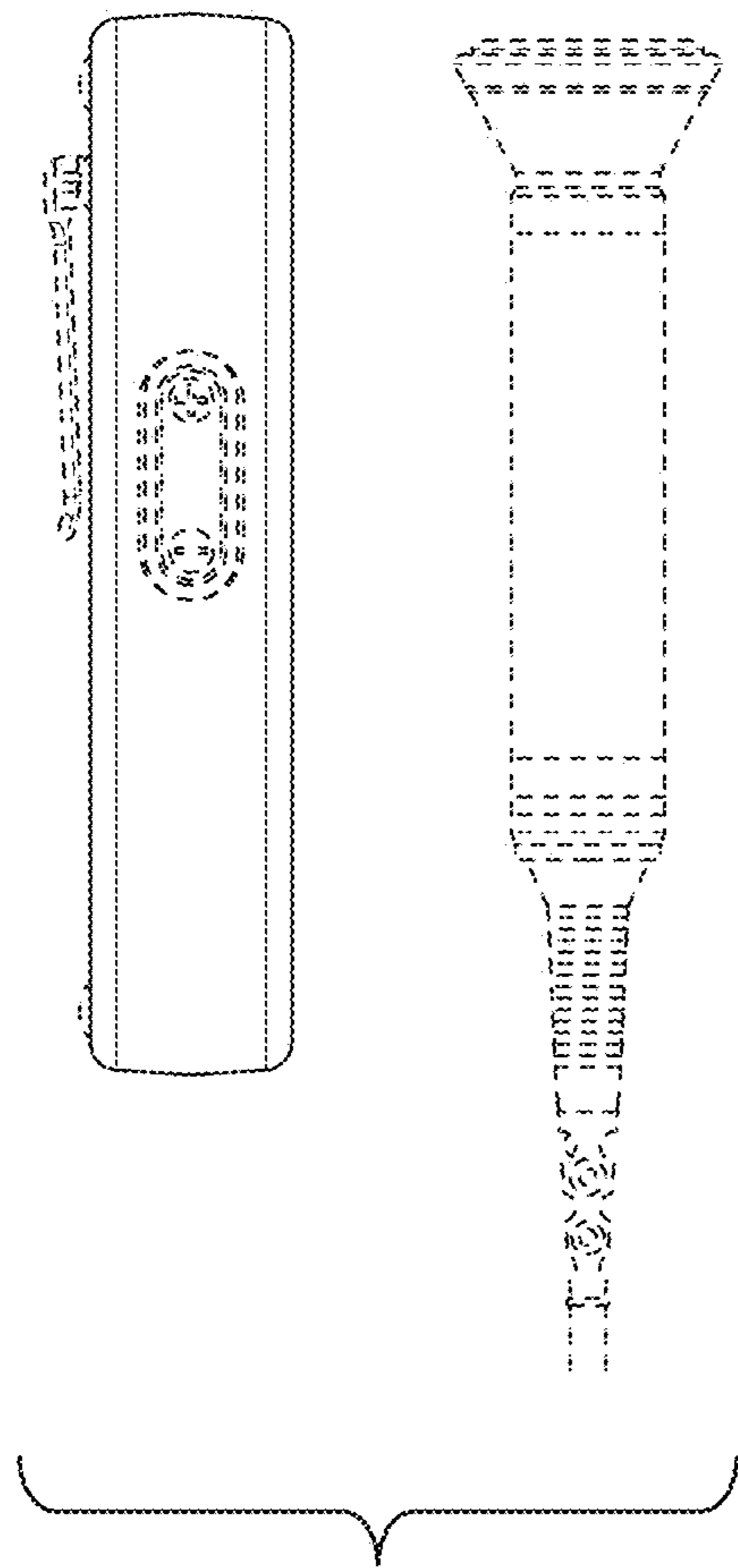


FIG. 7

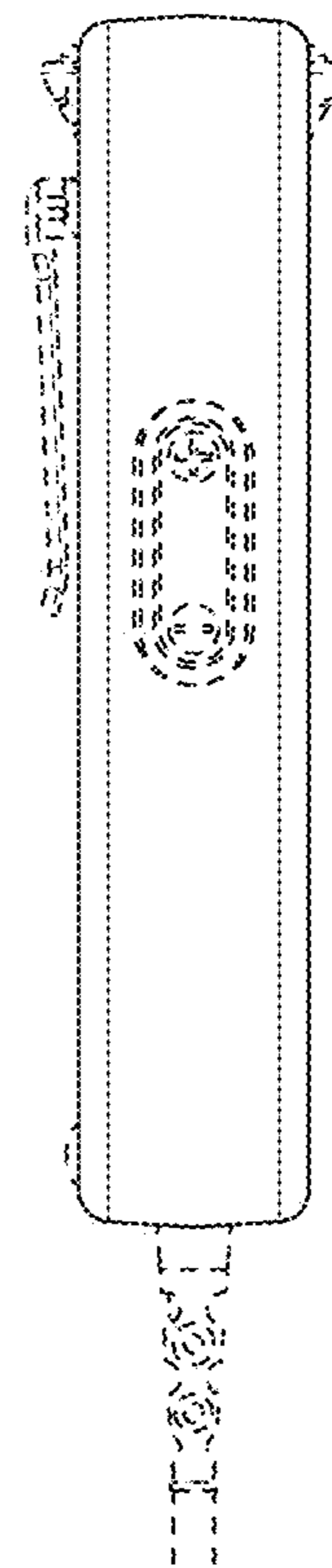


FIG. 8

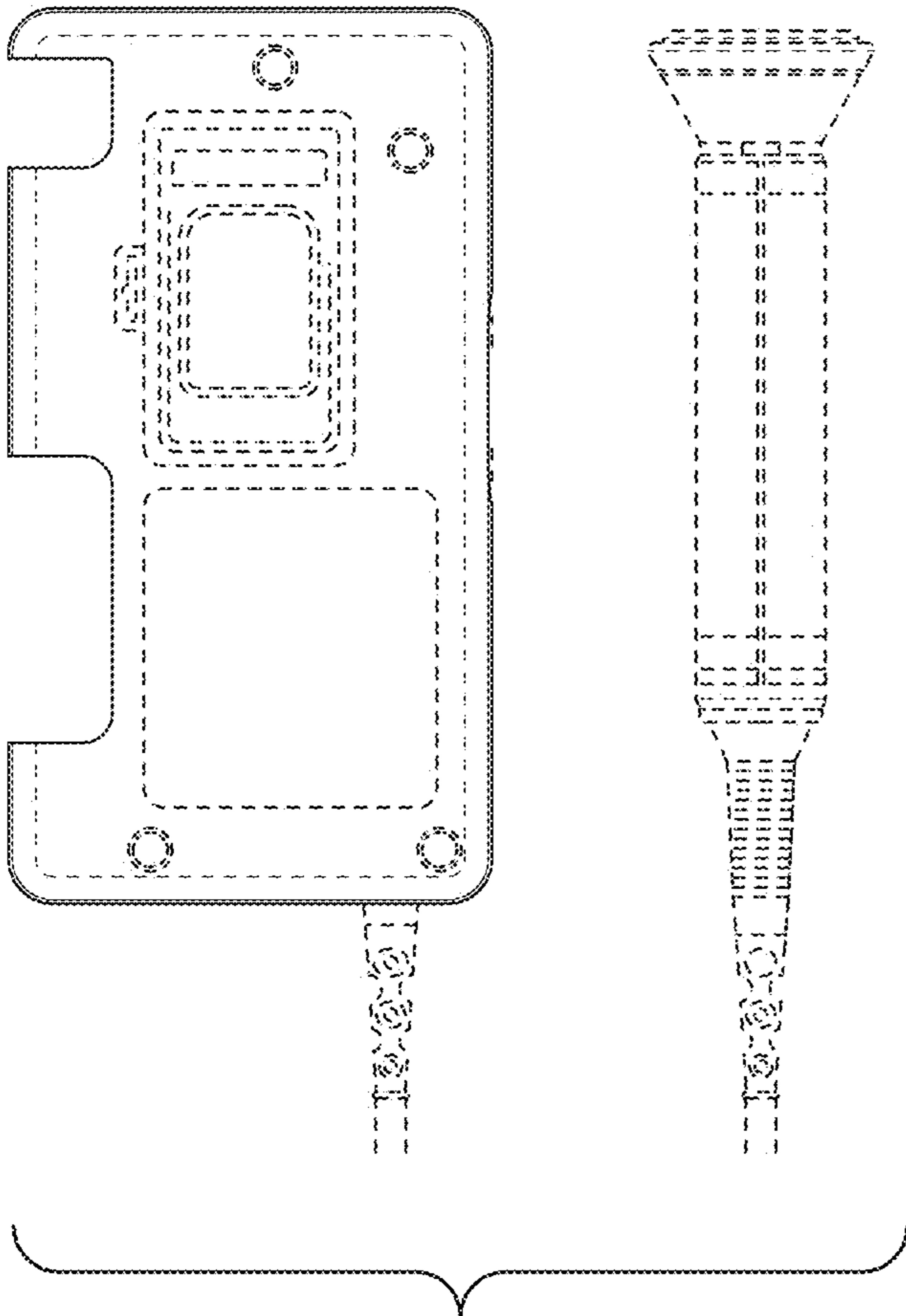


FIG. 9

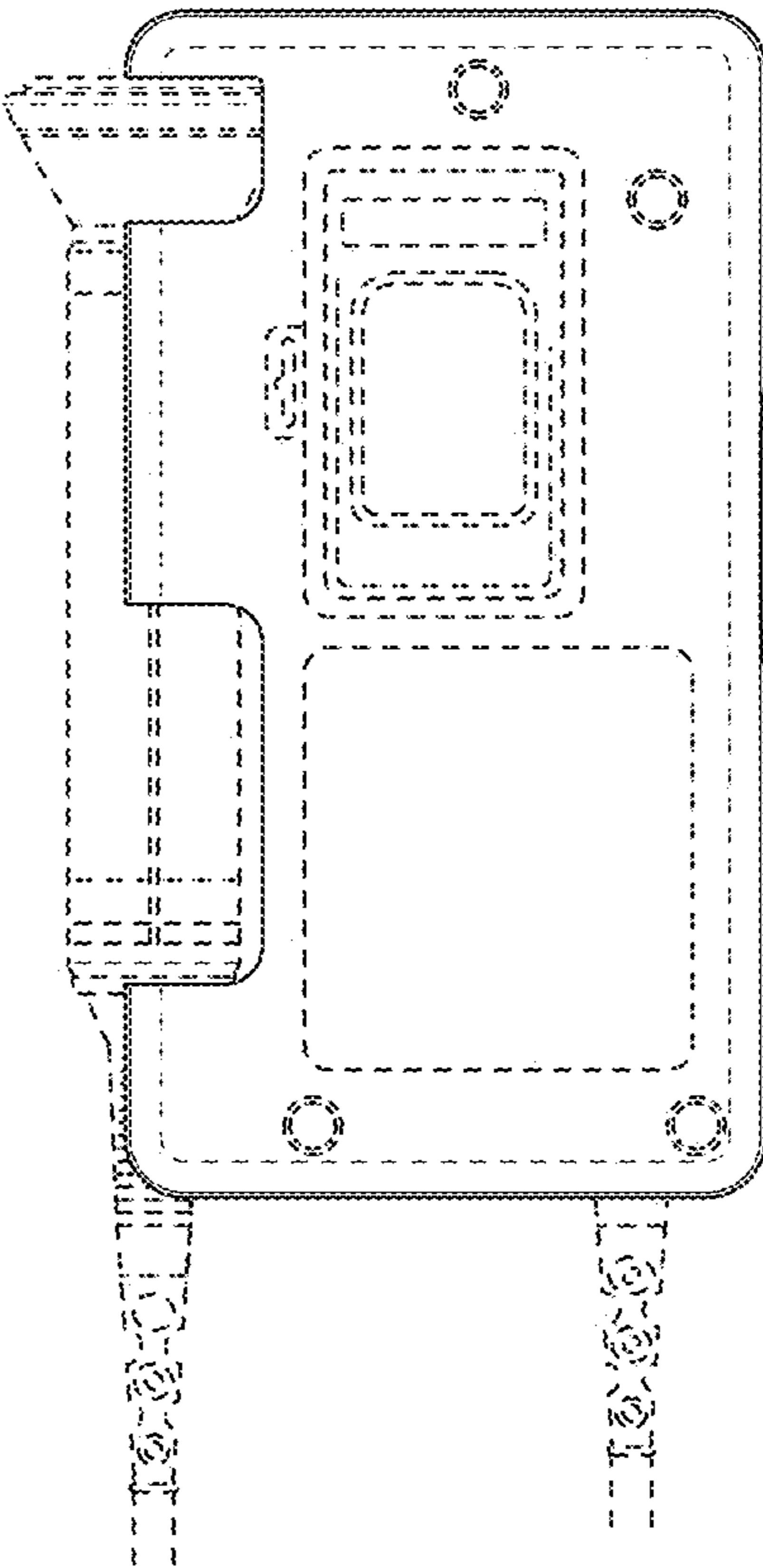


FIG. 10

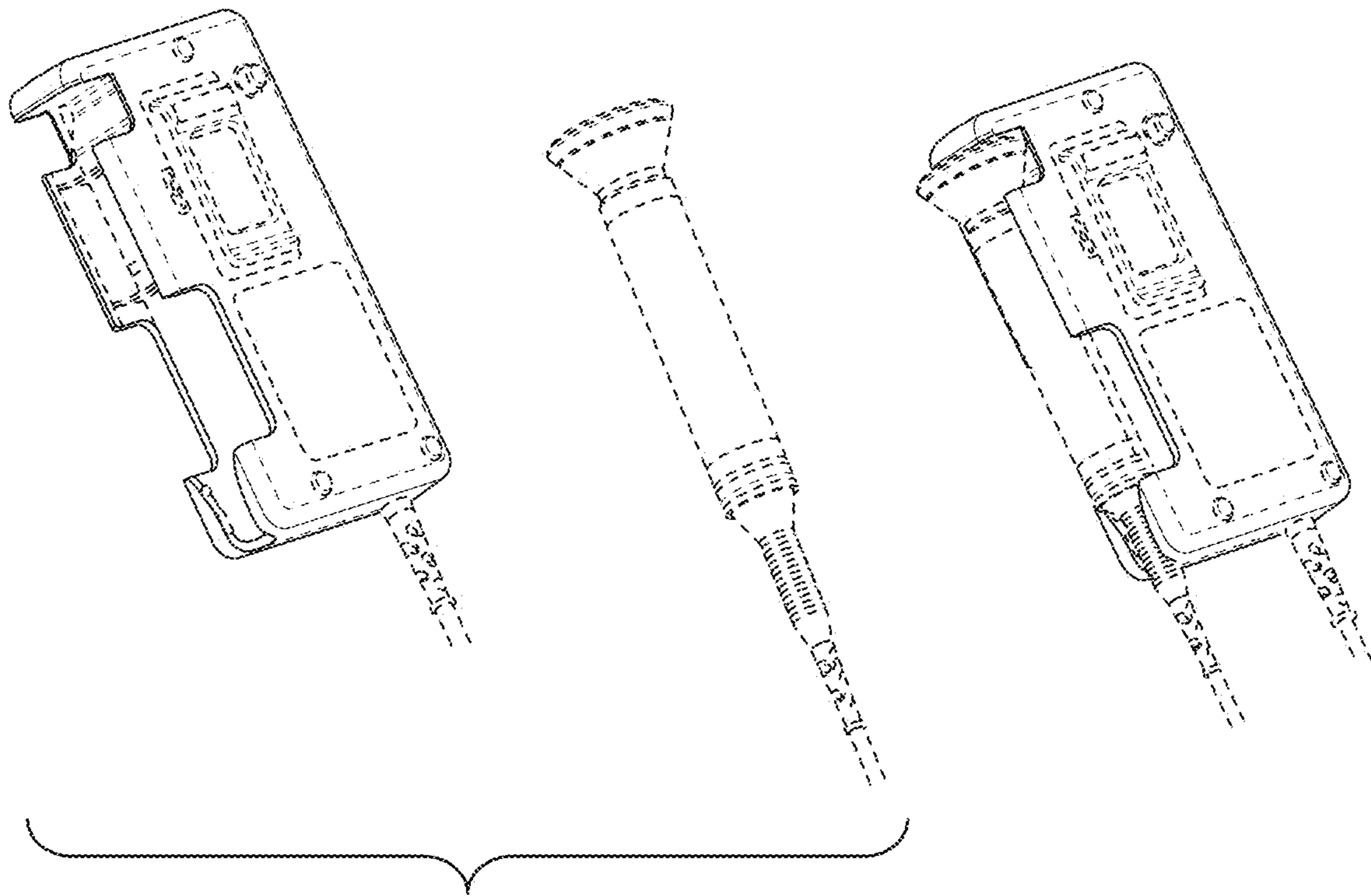


FIG. 11

FIG. 12

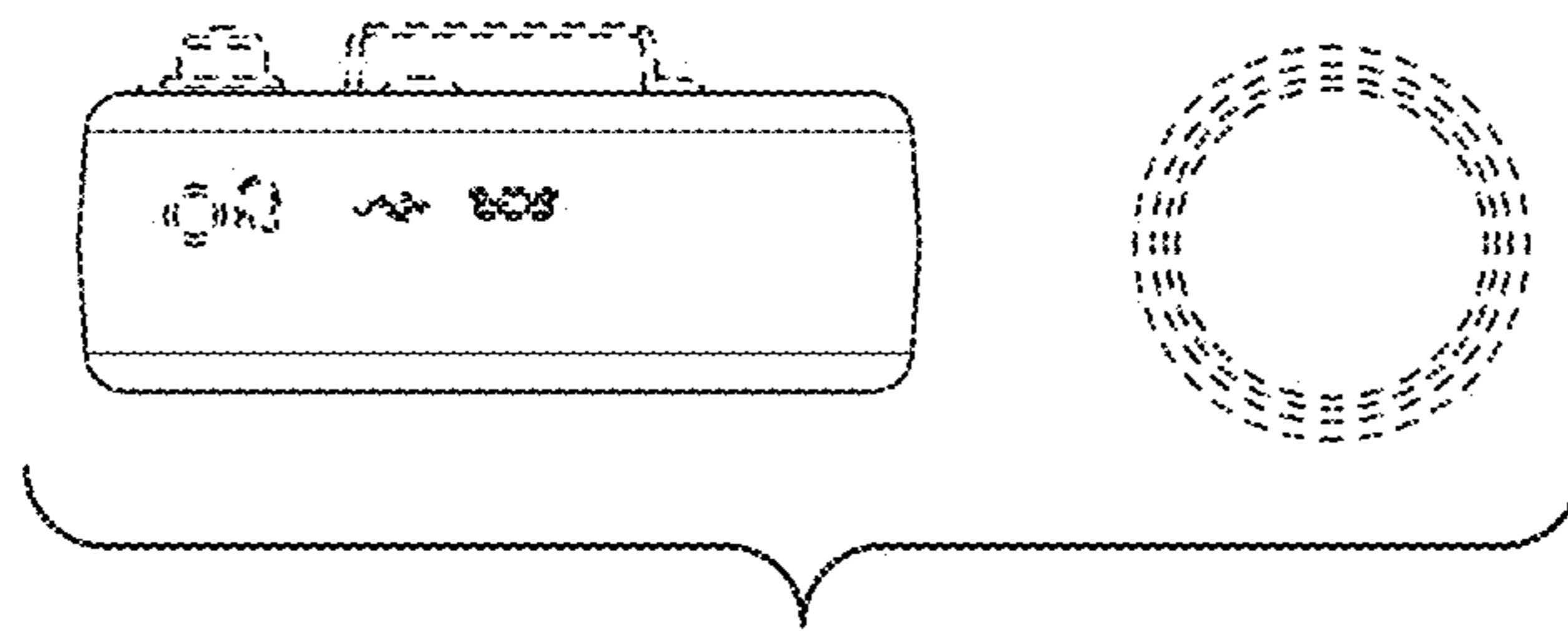


FIG. 13

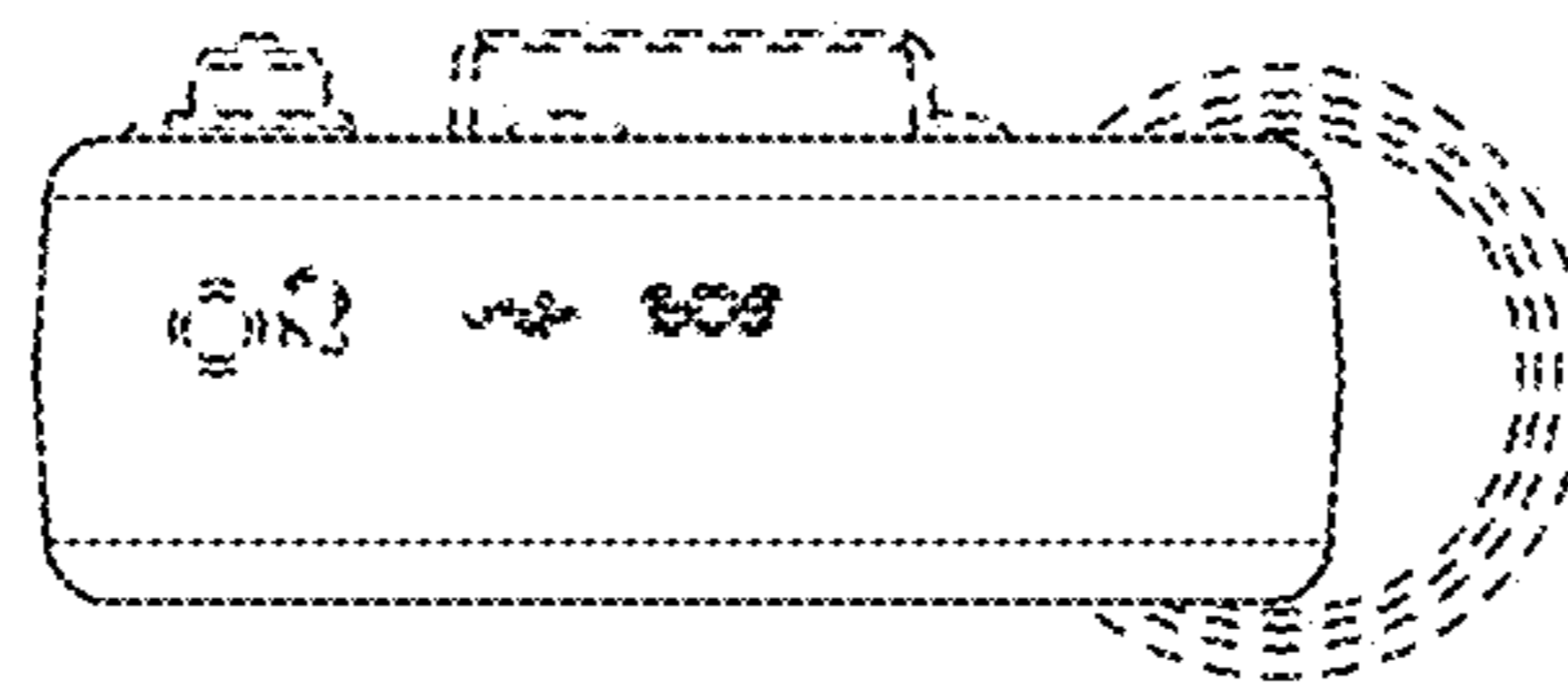


FIG. 14

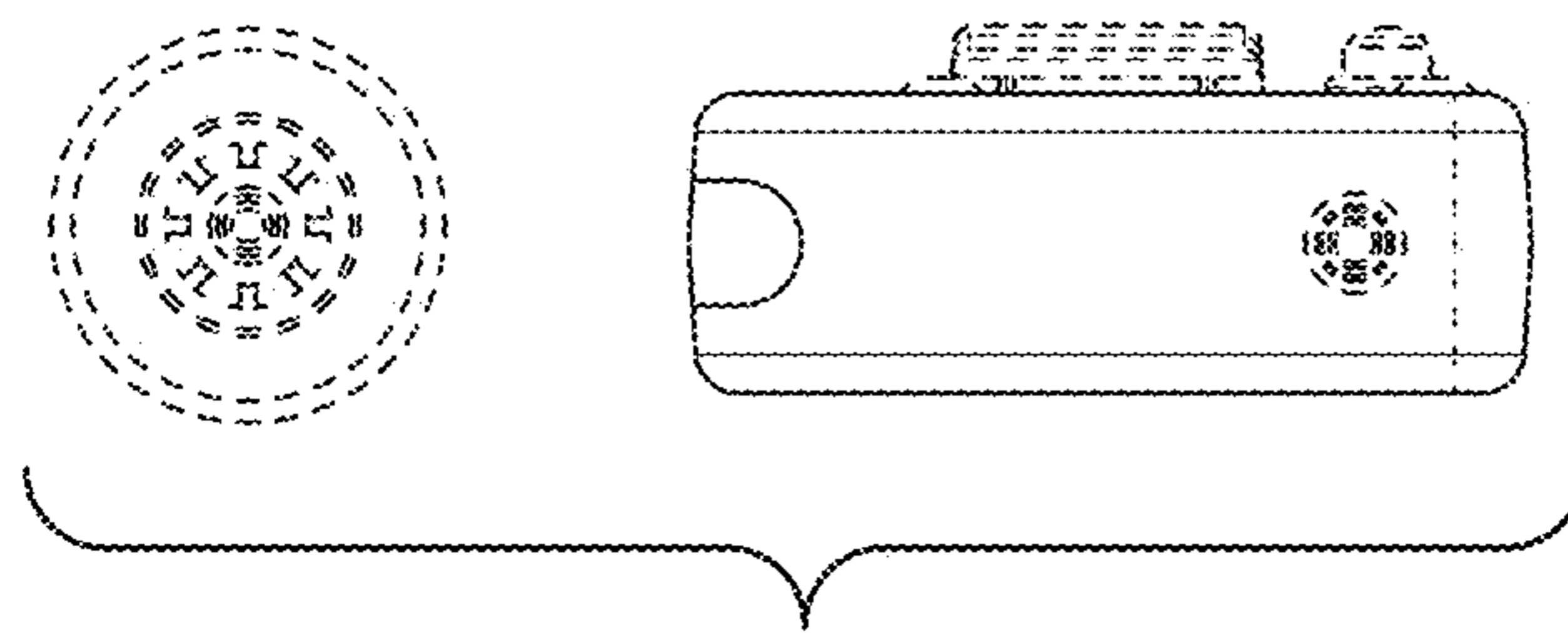


FIG. 15

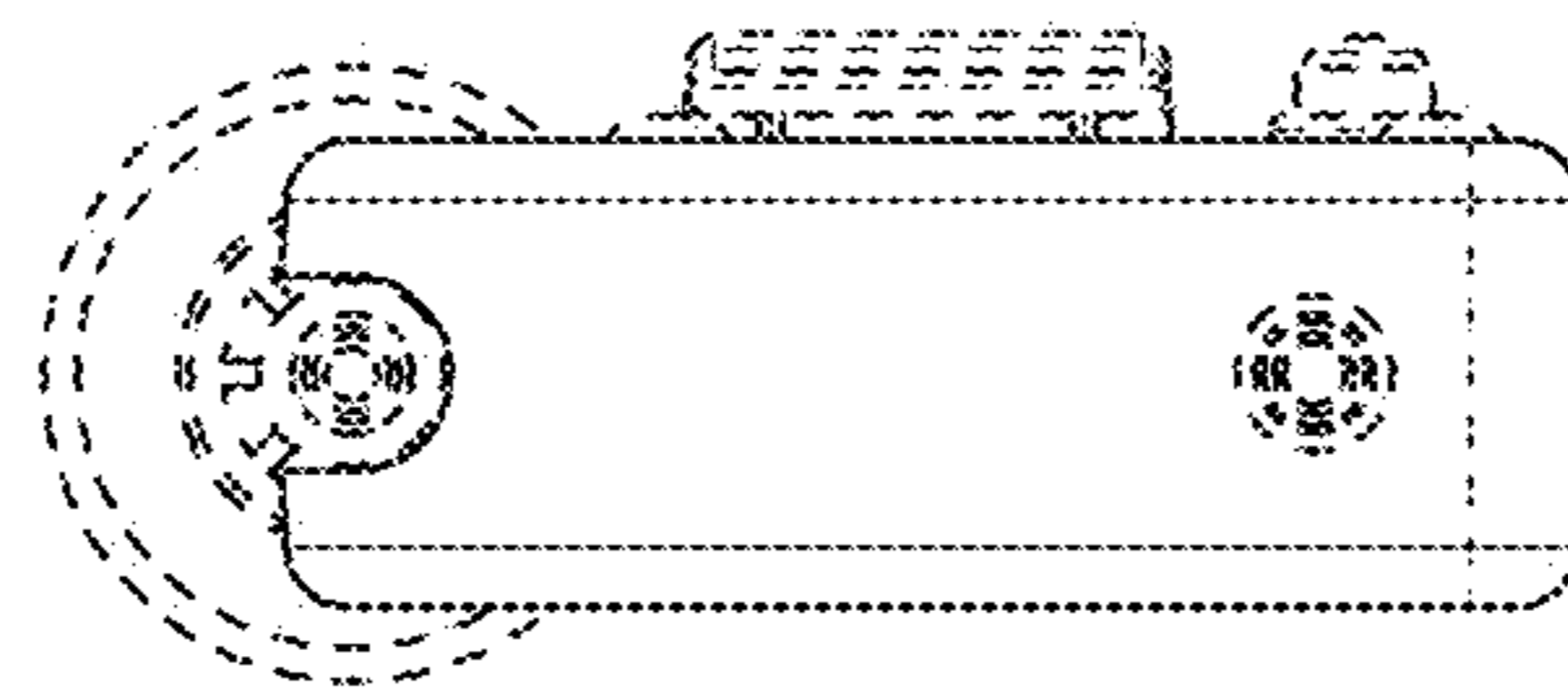


FIG. 16

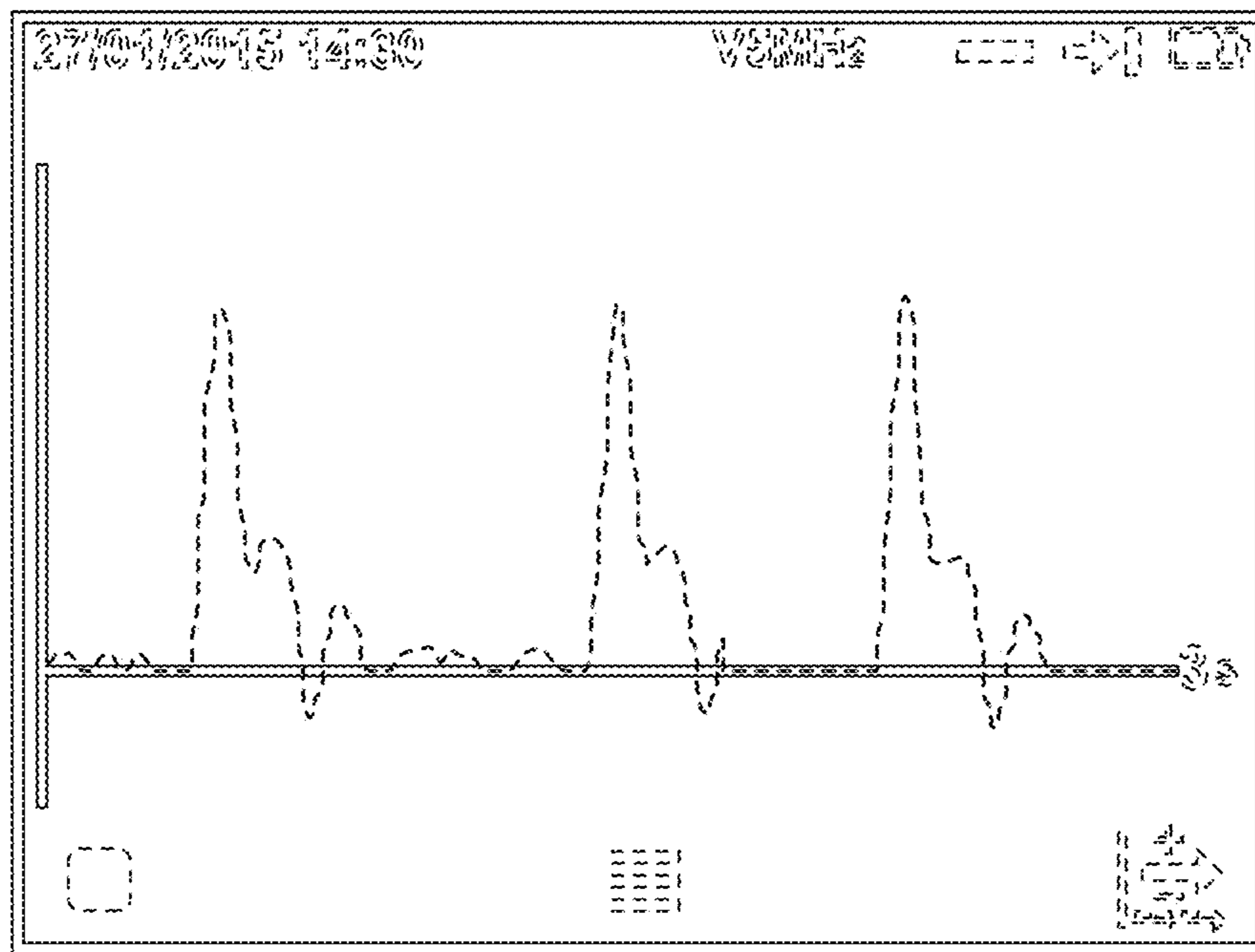


FIG. 17

UNITED STATES PATENT AND TRADEMARK OFFICE
CERTIFICATE OF CORRECTION

PATENT NO. : D932,618 S
APPLICATION NO. : 29/560,084
DATED : October 5, 2021
INVENTOR(S) : John Albert David Iles et al.

Page 1 of 1

It is certified that error appears in the above-identified patent and that said Letters Patent is hereby corrected as shown below:

On the Title Page

Column 1, Item (73) Assignee, Line 1, after "Limited" insert -- (GB) --

Signed and Sealed this
Seventh Day of December, 2021



Drew Hirshfeld
*Performing the Functions and Duties of the
Under Secretary of Commerce for Intellectual Property and
Director of the United States Patent and Trademark Office*