



US00D932616S

(12) **United States Design Patent** (10) **Patent No.:** **US D932,616 S**  
**Erlich** (45) **Date of Patent:** **\*\* Oct. 5, 2021**

(54) **GLASS ENEMA JAR**  
(71) Applicant: **Susan Elaine Erlich**, Long Beach, CA (US)  
(72) Inventor: **Susan Elaine Erlich**, Long Beach, CA (US)  
(73) Assignee: **Susan E. Erlich**, Huntington Beach, CA (US)

(\*\*) Term: **15 Years**

(21) Appl. No.: **29/706,205**

(22) Filed: **Sep. 18, 2019**

(51) **LOC (13) Cl.** ..... **24-02**

(52) **U.S. Cl.**  
USPC ..... **D24/121**

(58) **Field of Classification Search**  
USPC ..... D24/118, 127, 108, 128, 111; 604/317, 604/327, 408, 403, 108, 339, 92, 415, 604/410, 332, 333; 128/DIG. 24; D9/521, 547; D30/132  
CPC ..... A61M 3/0245; A61M 3/0229; A61M 3/02  
See application file for complete search history.

(56) **References Cited**

**U.S. PATENT DOCUMENTS**

D251,612 S \* 4/1979 Lagergren ..... D24/197  
D300,963 S \* 5/1989 Atchley ..... D30/132  
D325,655 S \* 4/1992 Kondo ..... D30/121  
D363,985 S \* 11/1995 Van Hovel ..... D24/111  
6,468,253 B1 \* 10/2002 Rucinski ..... A61M 3/02  
128/898  
D555,489 S \* 11/2007 Corrado ..... D9/547

D602,369 S \* 10/2009 Potts ..... D9/537  
D602,785 S \* 10/2009 Rothberg ..... D9/547  
D636,678 S \* 4/2011 Baird ..... D9/500  
D644,536 S \* 9/2011 Witz ..... D9/500  
D673,854 S \* 1/2013 James ..... D9/500  
D687,304 S \* 8/2013 Tanner ..... D9/521  
D700,843 S \* 3/2014 Shaw ..... D9/547  
D705,288 S \* 5/2014 Zimmerman ..... D15/150  
D757,956 S \* 5/2016 Brandenburger ..... D24/224  
D879,388 S \* 3/2020 Song ..... D30/132  
2019/0022301 A1 \* 1/2019 Fields ..... A61M 39/28  
2020/0215257 A1 \* 7/2020 Hagen ..... A61M 3/0262

\* cited by examiner

*Primary Examiner* — David G Muller

(57) **CLAIM**

The ornamental design for a glass enema jar, as shown and described.

**DESCRIPTION**

FIG. 1 is an front perspective view of a glass enema jar, with graduated measuring lines, and top cap embodying my design.

FIG. 2 is a front perspective with cap removed to reveal jar neck;

FIG. 3 is a front elevation view of the jar;

FIG. 4 is a rear elevation view thereof;

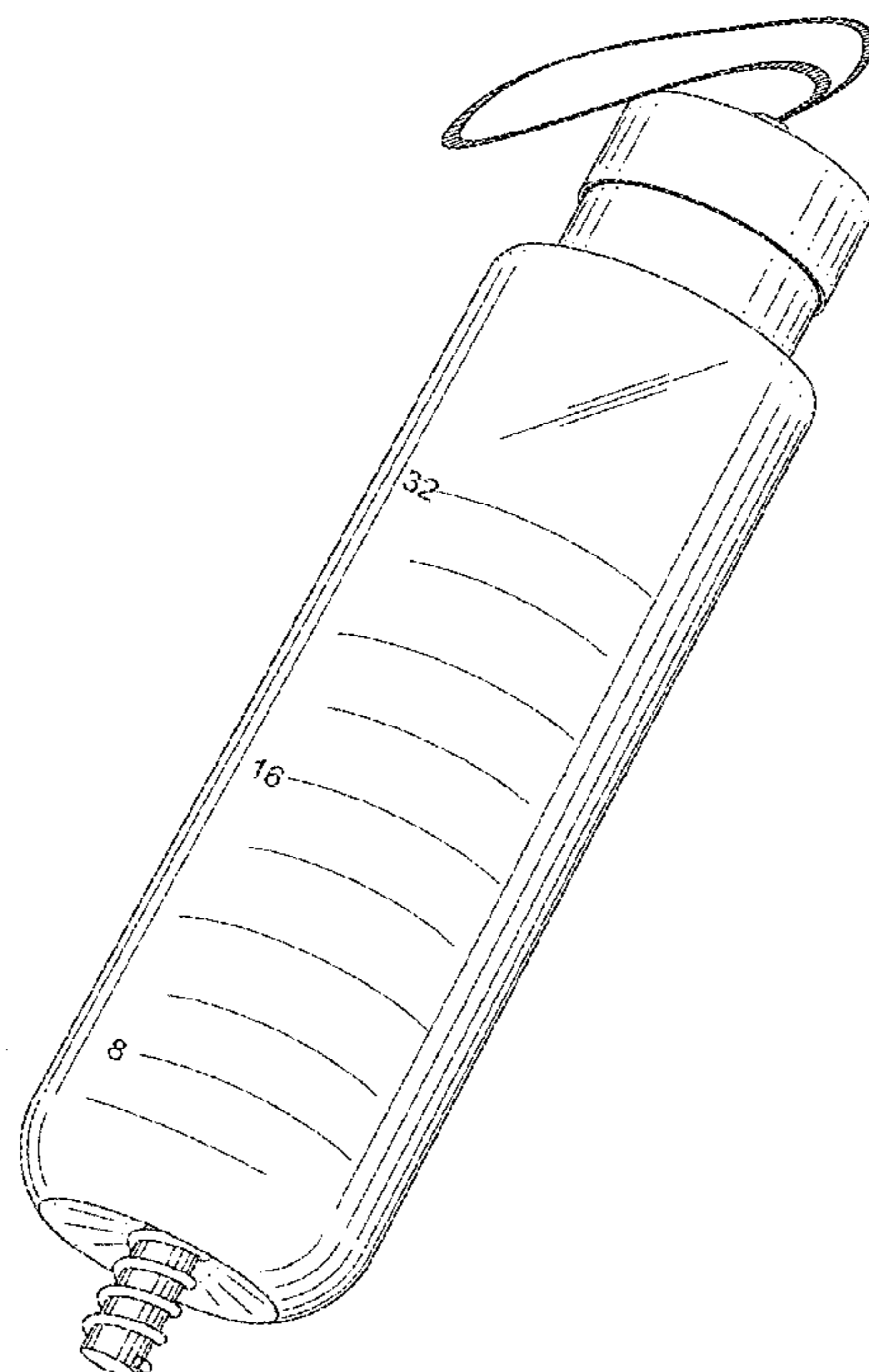
FIG. 5 is a right side elevation view thereof;

FIG. 6 is a left side elevation view thereof;

FIG. 7 is a top plan view thereof showing top of cap strap; and,

FIG. 8 is a plan view showing the side spigot.

**1 Claim, 7 Drawing Sheets**



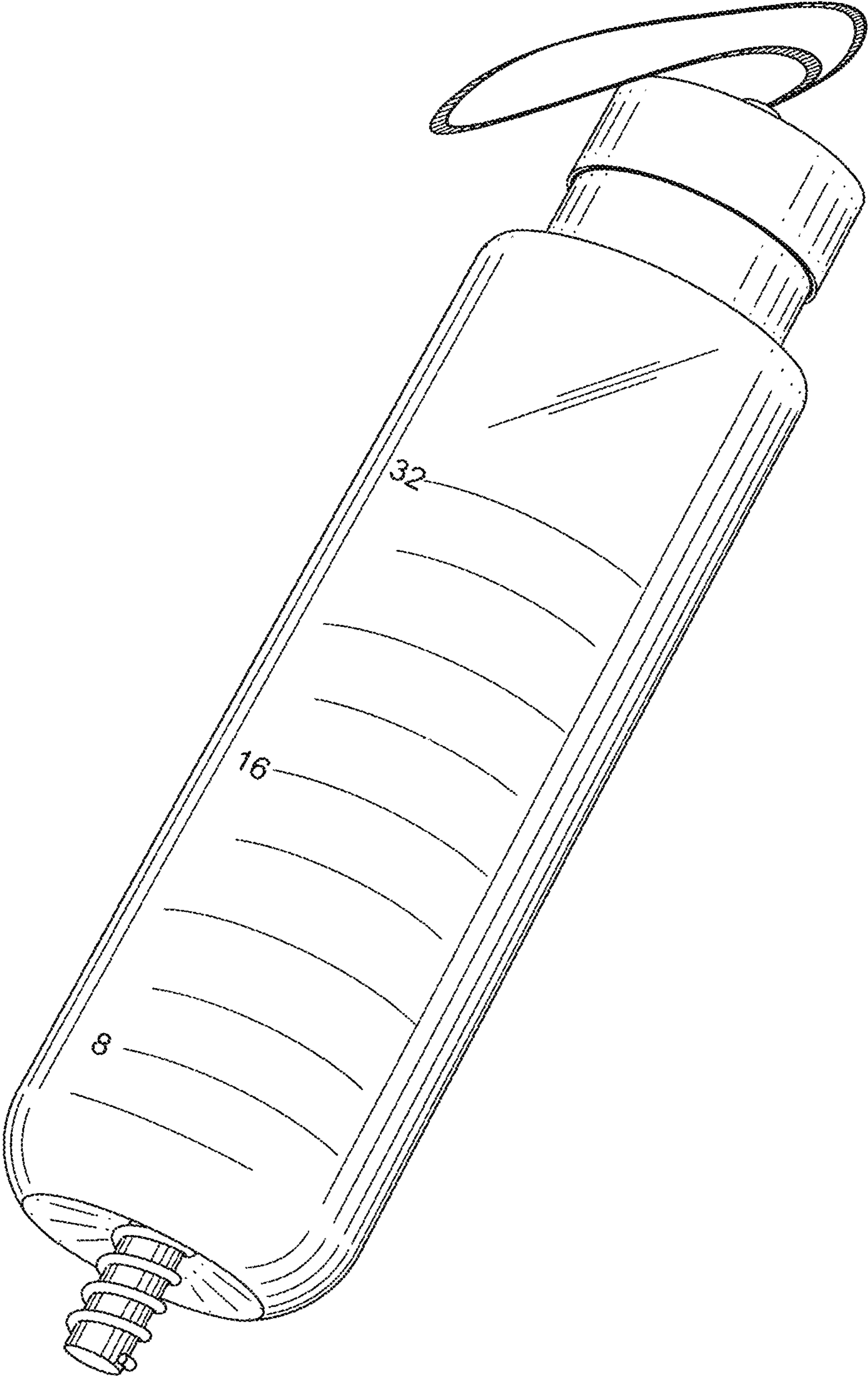


Fig. 1

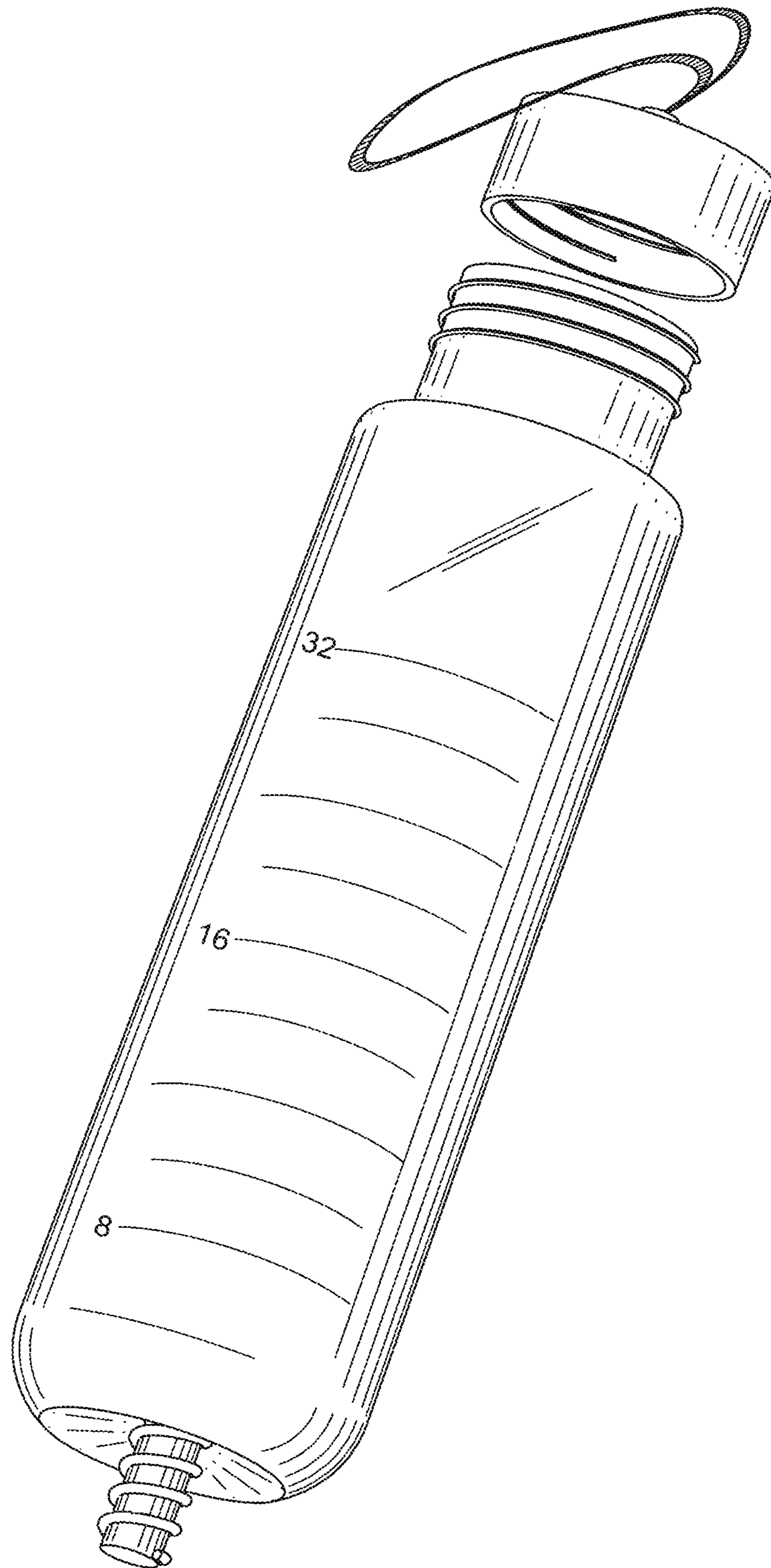


Fig. 2

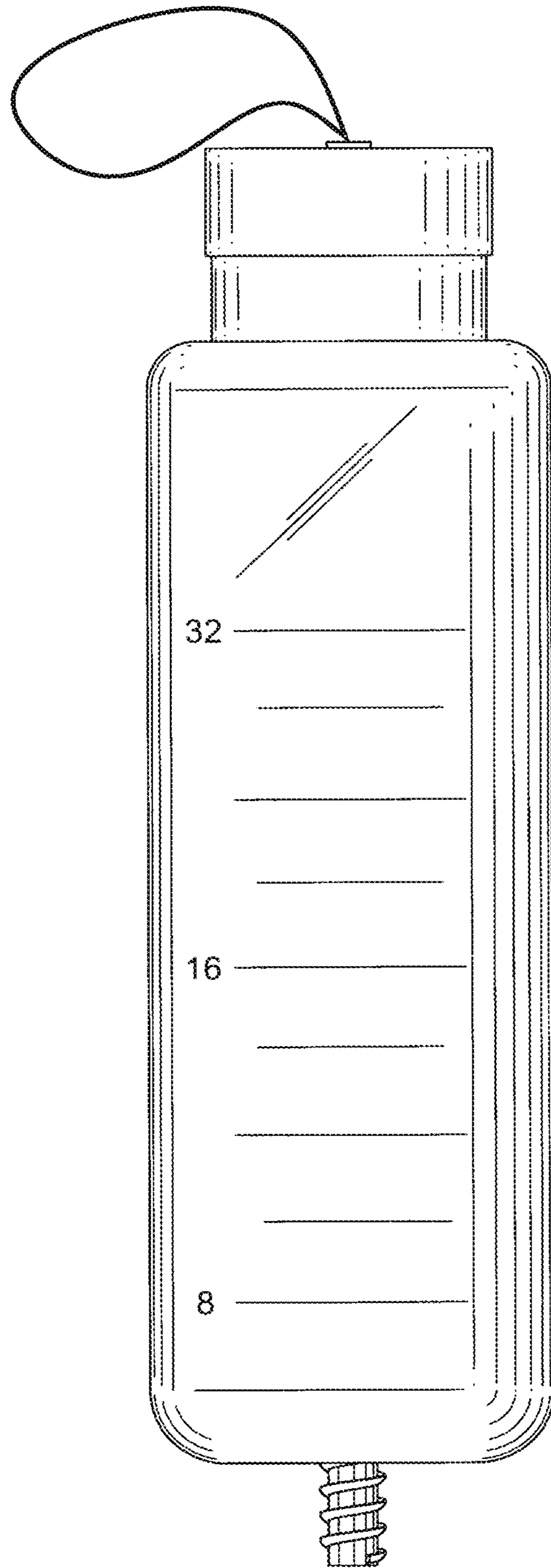


Fig. 3



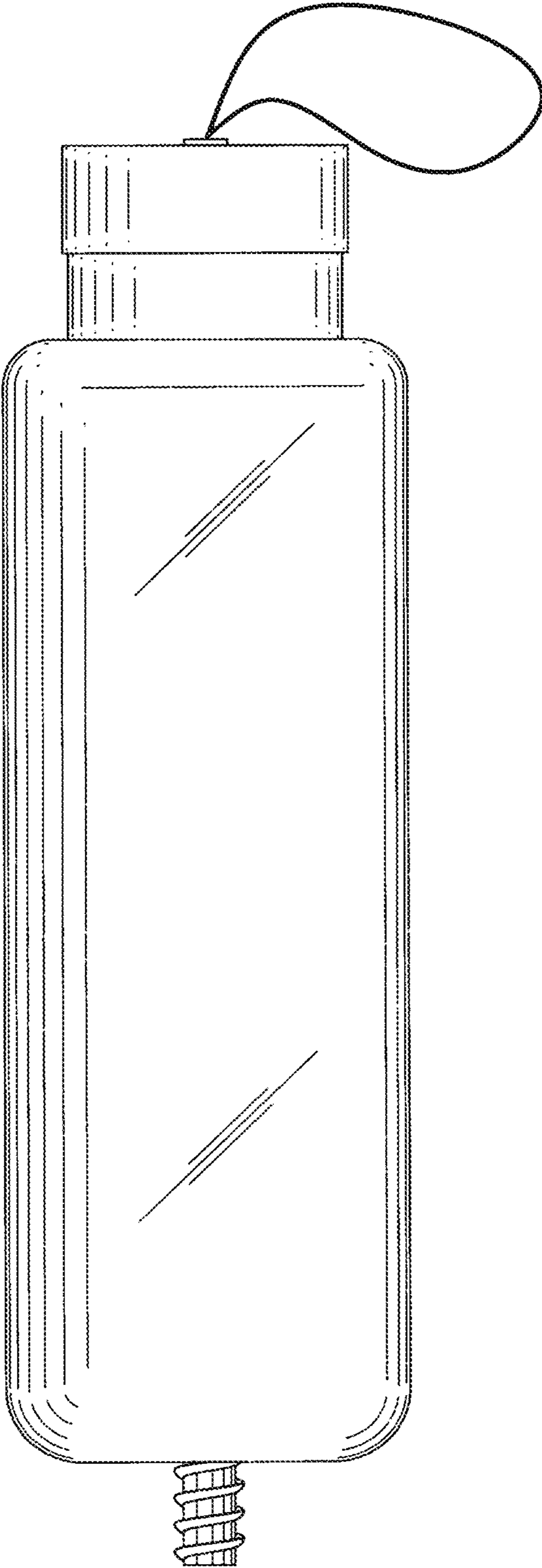


Fig. 4

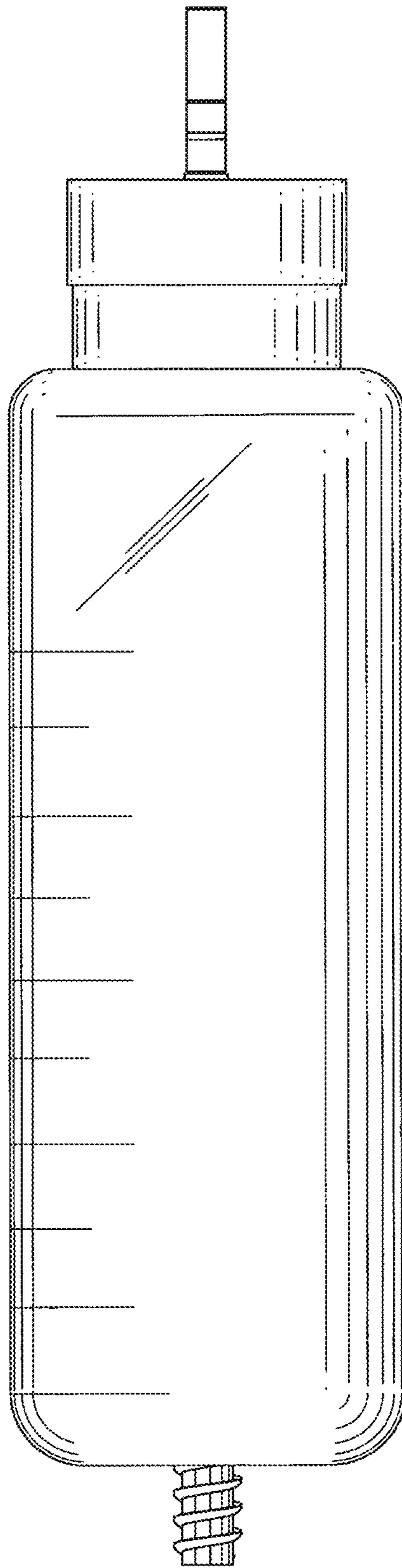


Fig. 5

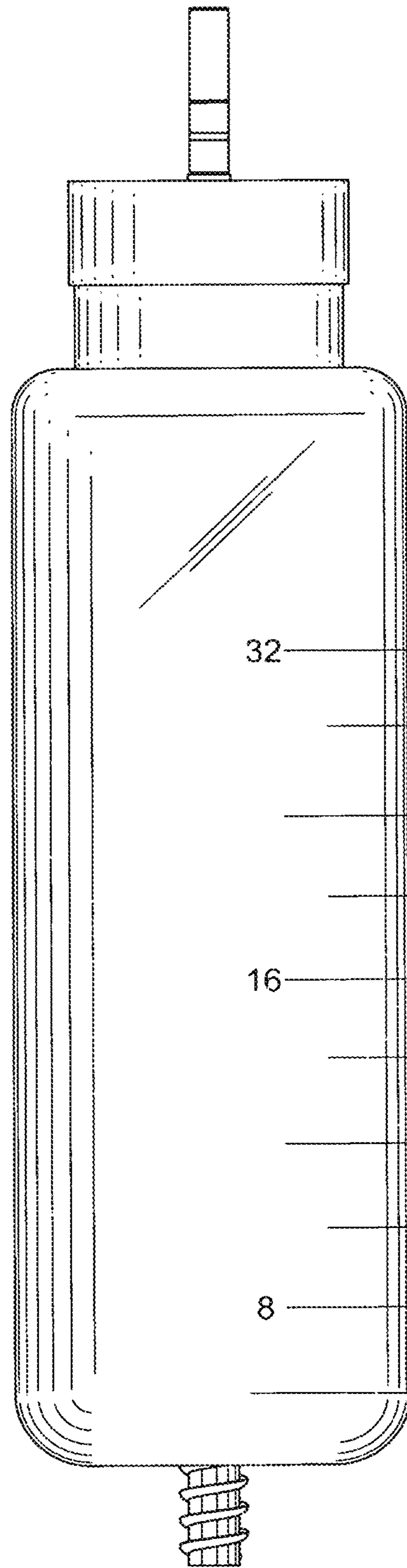


Fig. 6

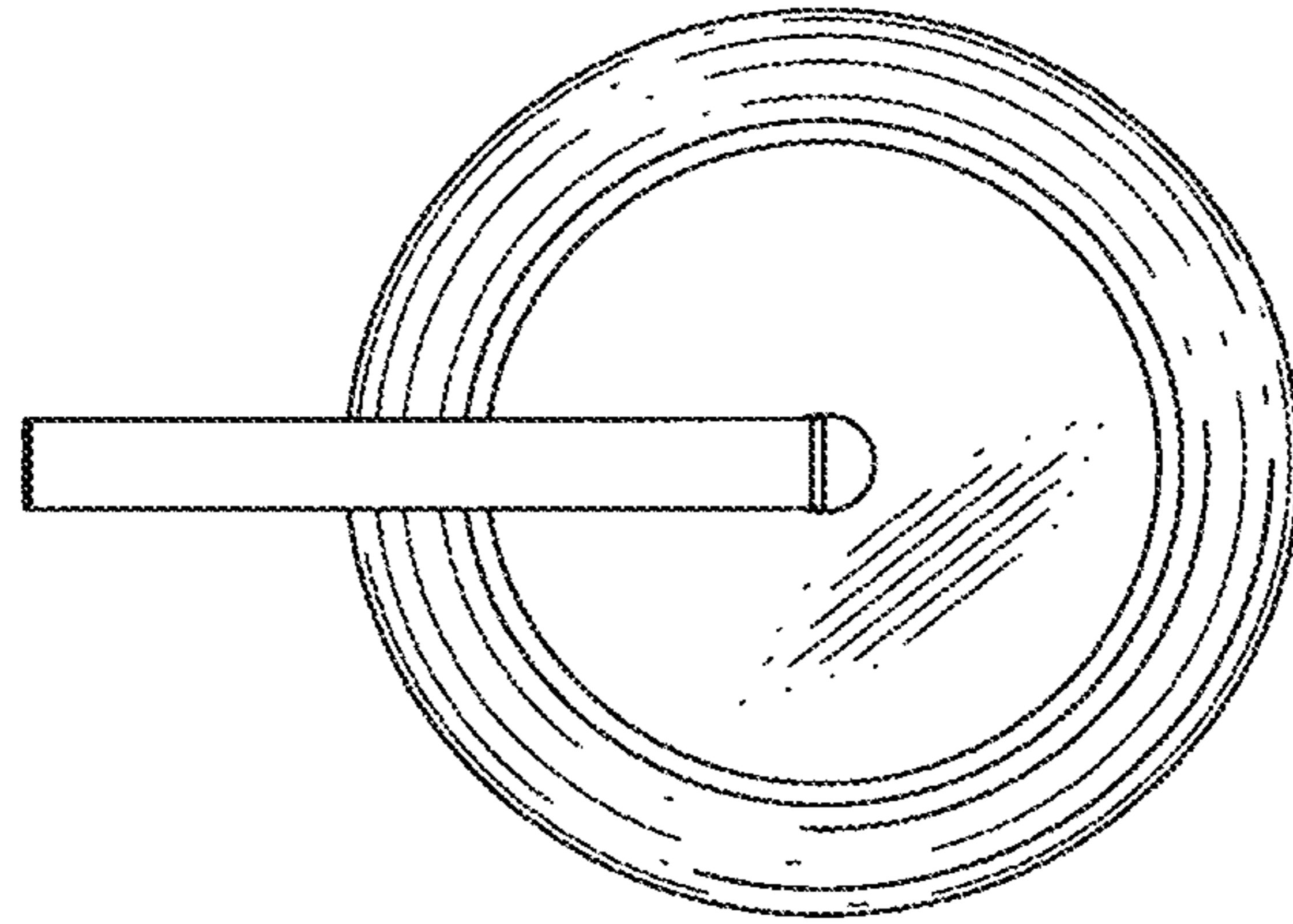


Fig. 7

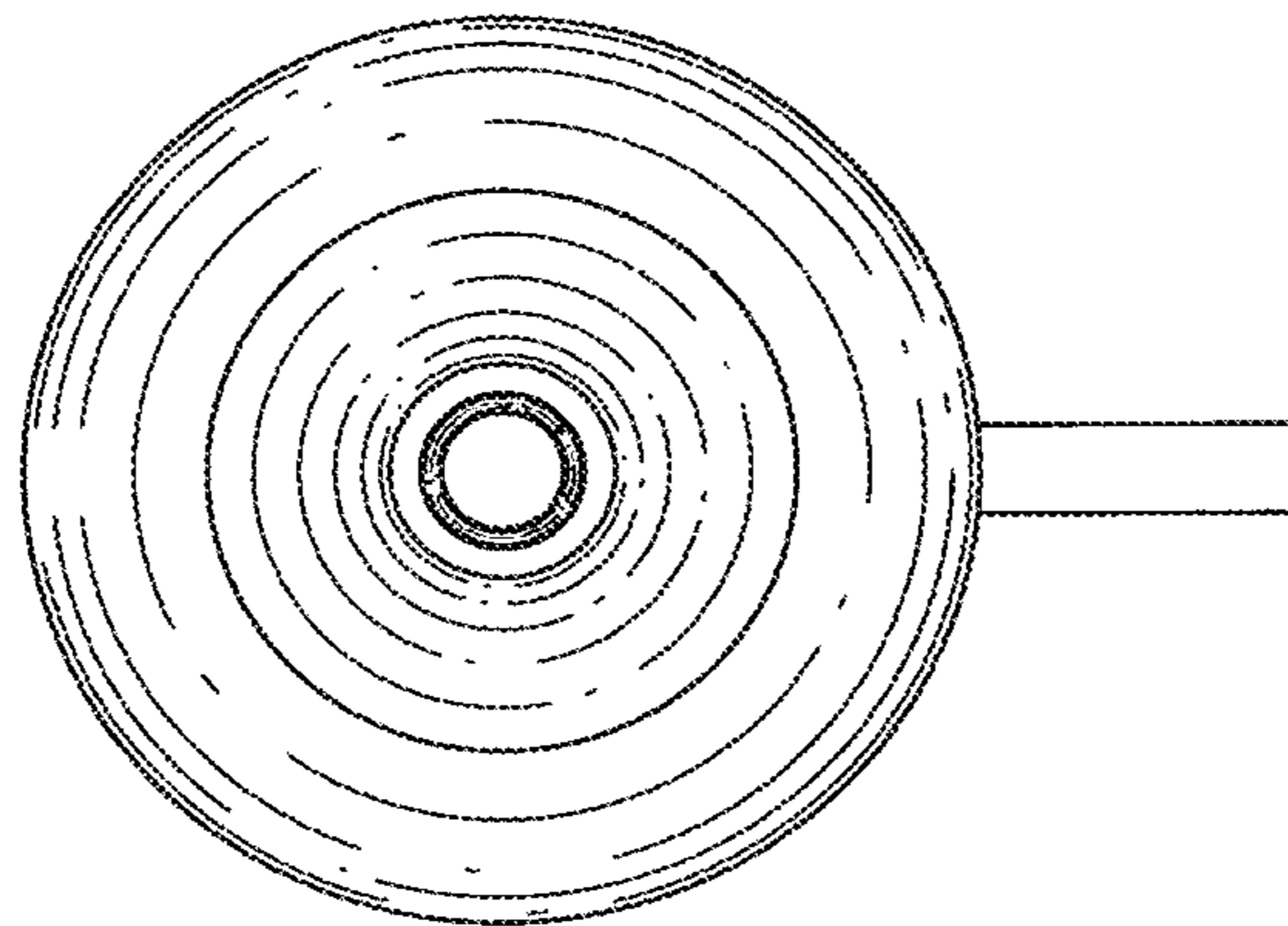


Fig. 8