



US00D932614S

(12) **United States Design Patent** (10) **Patent No.:** **US D932,614 S**  
**Frondelius** (45) **Date of Patent:** **\*\* Oct. 5, 2021**

(54) **SUCTION DEVICE FOR MEDICAL USE**

5,951,582 A \* 9/1999 Thorne ..... A61B 5/15142  
606/167

(71) Applicant: **SERRES OY**, Kauhajoki AS (FI)

6,056,731 A 5/2000 Koetke  
6,261,276 B1 7/2001 Reitsma

(72) Inventor: **Kimmo Frondelius**, Helsinki (FI)

D452,003 S \* 12/2001 Niermann ..... D24/112

(73) Assignee: **SERRES OY**, Kauhajoki As (FI)

D474,269 S \* 5/2003 Choksi ..... D24/108

(\*\*) Term: **15 Years**

D474,274 S \* 5/2003 Walters ..... D24/128

(21) Appl. No.: **29/655,433**

D479,329 S \* 9/2003 Sanguinetti ..... D24/128

(22) Filed: **Jul. 3, 2018**

6,652,495 B1 11/2003 Walker

7,488,427 B2 \* 2/2009 Freund ..... A61B 17/32002  
210/295

8,118,796 B2 2/2012 Rajamaki  
D726,900 S 4/2015 Kaufman

9,089,629 B2 7/2015 Martini

(Continued)

(30) **Foreign Application Priority Data**

**FOREIGN PATENT DOCUMENTS**

Jan. 5, 2018 (EM) ..... 004595148-0003

CN 305212147 6/2019

(51) **LOC (13) Cl.** ..... **24-02**

(52) **U.S. Cl.**

**OTHER PUBLICATIONS**

USPC ..... **D24/112**

Design U.S. Appl. No. 29/655,395, filed Jul. 3, 2018, Frondelius.

(58) **Field of Classification Search**

(Continued)

USPC ..... D24/112-114, 108, 130, 127, 133, 186;

606/181, 185; 604/264, 523-528, 272,

604/164.01-164.11, 187, 93.01; 600/101,

600/139, 143; 128/200.24, 207.14,

128/207.15

CPC .. A61M 25/065; A61M 5/42; A61M 25/0612;

A61M 25/00; A61M 39/00; A61M 27/00;

A61M 25/0043; A61M 25/0067; A61M

25/0097; A61F 2/958

See application file for complete search history.

*Primary Examiner* — David G Muller

(74) *Attorney, Agent, or Firm* — Nixon & Vanderhye PC

(57) **CLAIM**

The ornamental design for a suction device for medical use, as shown and described.

**DESCRIPTION**

FIG. 1 is a front perspective view of a first suction device for medical use, in accordance with my new design;

FIG. 2 is a left side view thereof;

FIG. 3 is a rear view thereof;

FIG. 4 is a right side view thereof;

FIG. 5 is a front view thereof;

FIG. 6 is a top plan view thereof; and,

FIG. 7 is a bottom plan view thereof.

(56) **References Cited**

**U.S. PATENT DOCUMENTS**

3,868,039 A 2/1975 Holbrook

3,960,165 A 6/1976 Holbrook

3,982,546 A 9/1976 Friend

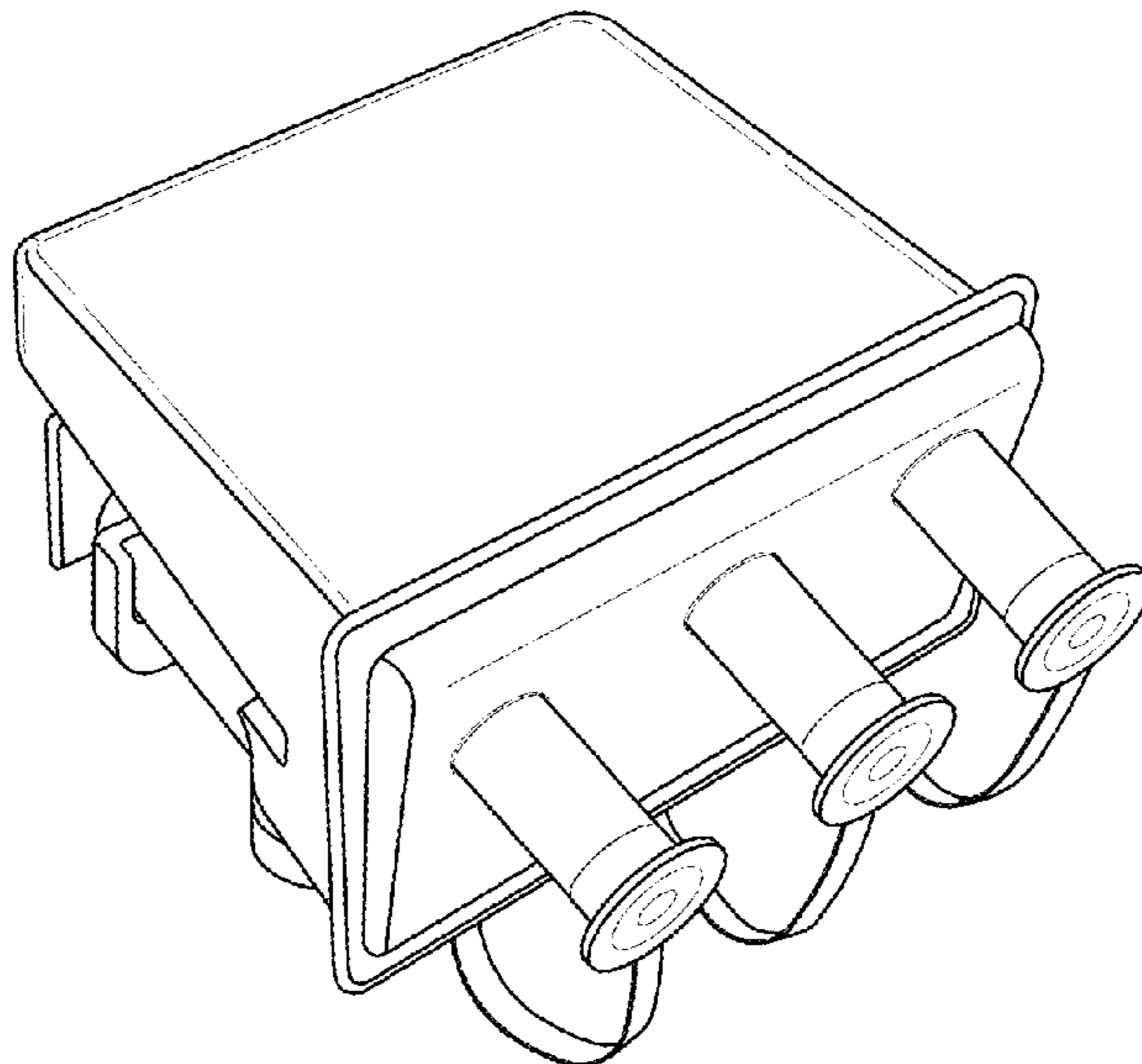
D263,504 S 3/1982 Fowles

4,460,361 A 7/1984 Nichols

4,930,997 A 6/1990 Bennett

D401,690 S \* 11/1998 Simm ..... D24/131

**1 Claim, 7 Drawing Sheets**



(56)

**References Cited**

U.S. PATENT DOCUMENTS

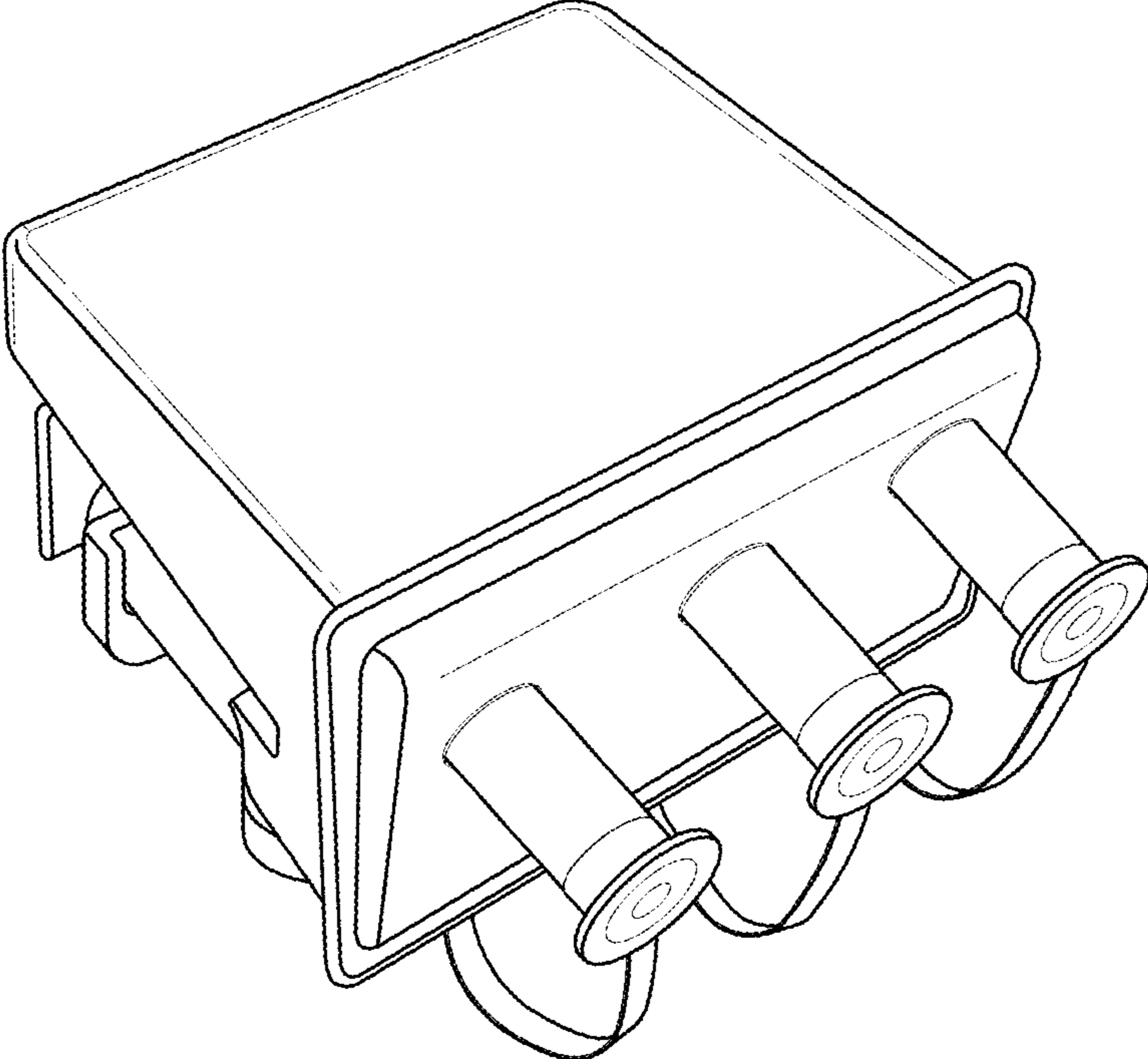
D775,723 S \* 1/2017 Rowe ..... D24/112  
 D785,161 S \* 4/2017 Dravitzki ..... D24/110.4  
 D804,653 S 12/2017 Clark  
 D808,533 S 1/2018 Verguldi  
 D828,543 S \* 9/2018 Khan ..... D24/110  
 D828,546 S \* 9/2018 Eitzman ..... D24/110.6  
 D829,907 S \* 10/2018 Wonderley ..... D24/147  
 D829,908 S \* 10/2018 Wonderley ..... D24/147  
 10,098,990 B2 10/2018 Koch  
 10,343,807 B2 7/2019 Makiranta  
 D879,967 S 3/2020 Verguldi  
 D884,188 S 5/2020 Godinez  
 2004/0079404 A1 4/2004 Burrows  
 2005/0010179 A1 1/2005 Dunn  
 2005/0171495 A1 8/2005 Austin  
 2005/0187529 A1 8/2005 Reasoner  
 2010/0049152 A1 2/2010 Lalomia  
 2011/0272039 A1 11/2011 Martini  
 2011/0278295 A1 11/2011 Martini  
 2012/0238975 A1 9/2012 Murray

2013/0197471 A1 8/2013 Williams  
 2013/0345651 A1 12/2013 Michaels  
 2015/0224237 A1 8/2015 Reasoner  
 2017/0028110 A1 2/2017 Smith  
 2017/0304511 A1 10/2017 Harpham  
 2019/0167870 A1 6/2019 Korkeamaki  
 2019/0231941 A1 8/2019 Frondelius  
 2019/0247554 A1 8/2019 Frondelius  
 2019/0307931 A1 10/2019 Frondelius  
 2019/0307932 A1 10/2019 Korkeamaki  
 2019/0321587 A1 10/2019 McMenamin  
 2020/0171221 A1 6/2020 Zhu  
 2020/0324028 A1 10/2020 Zollinger

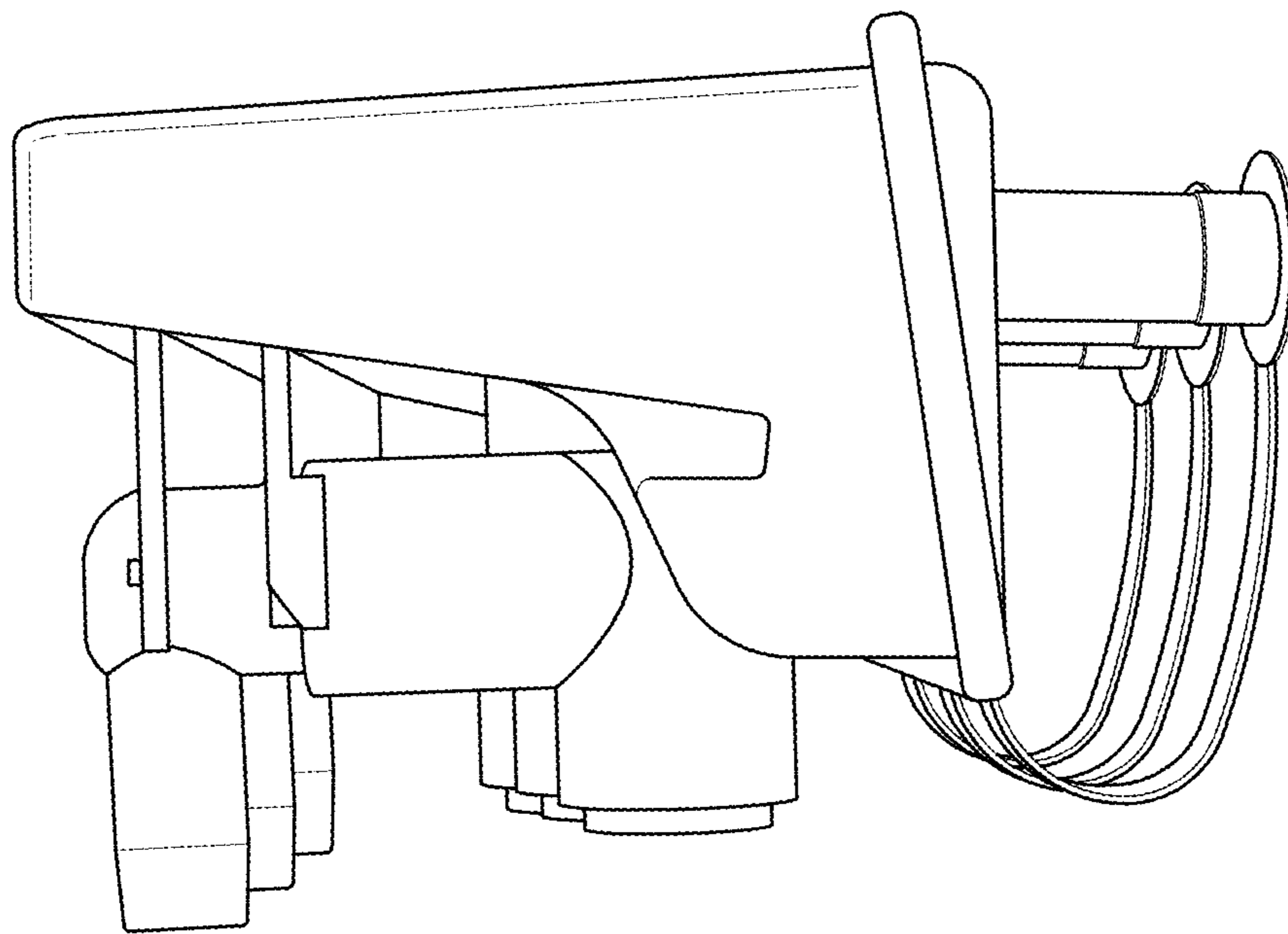
OTHER PUBLICATIONS

Design U.S. Appl. No. 29/655,401, filed Jul. 3, 2018, Frondelius.  
 Design U.S. Appl. No. 29/655,444, filed Jul. 3, 2018, Frondelius.  
 Serres Saga Pioneering Surgical Flows. Posted by Serres on YouTube.  
 com. Date: Sep. 19, 2019. Retrieved from Internet: [https://www.youtube.com/watch?v=TTIG4Hzj\\_So](https://www.youtube.com/watch?v=TTIG4Hzj_So) (Year:2019), 1 page.

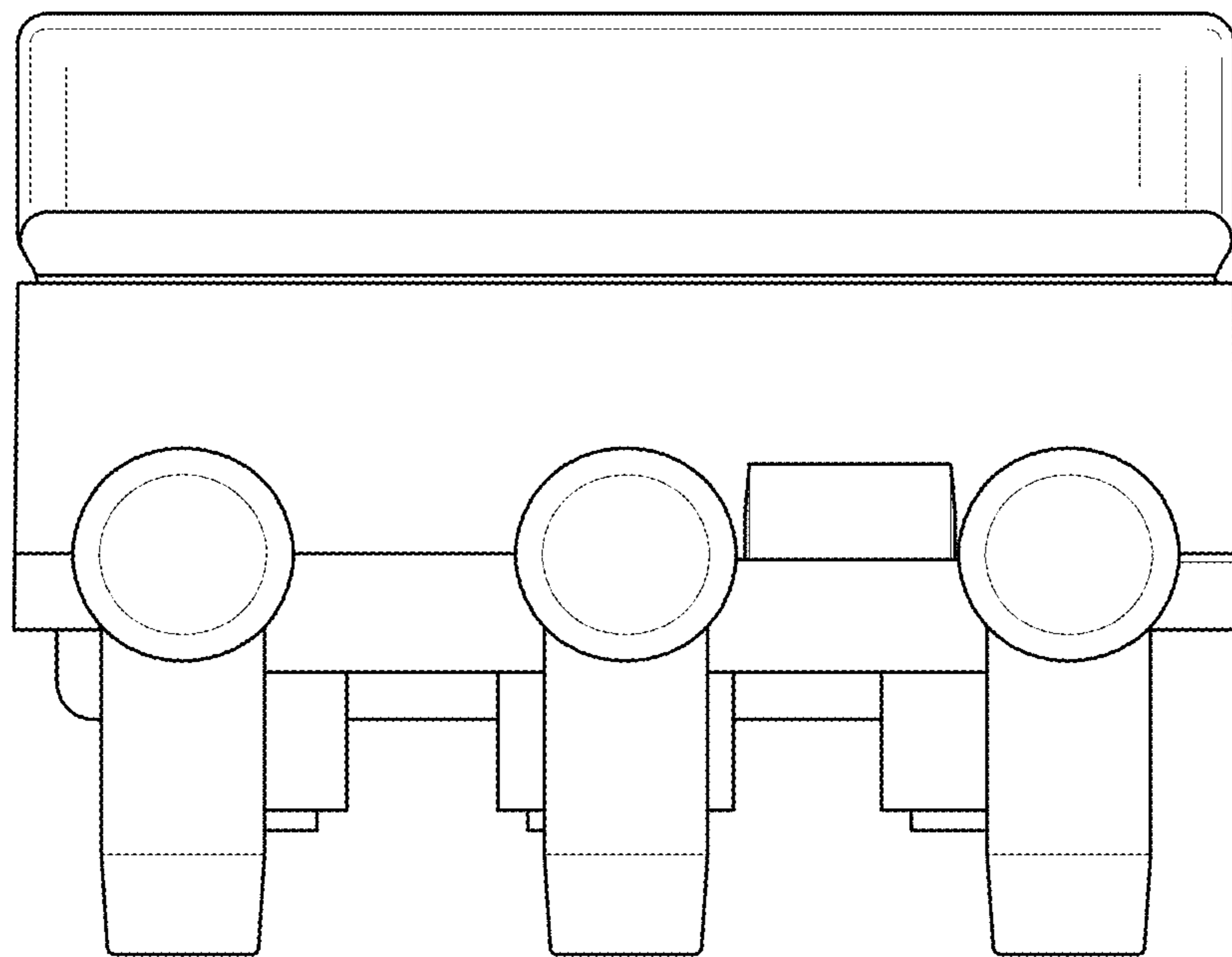
\* cited by examiner



**FIG. 1**



**FIG. 2**



**FIG. 3**

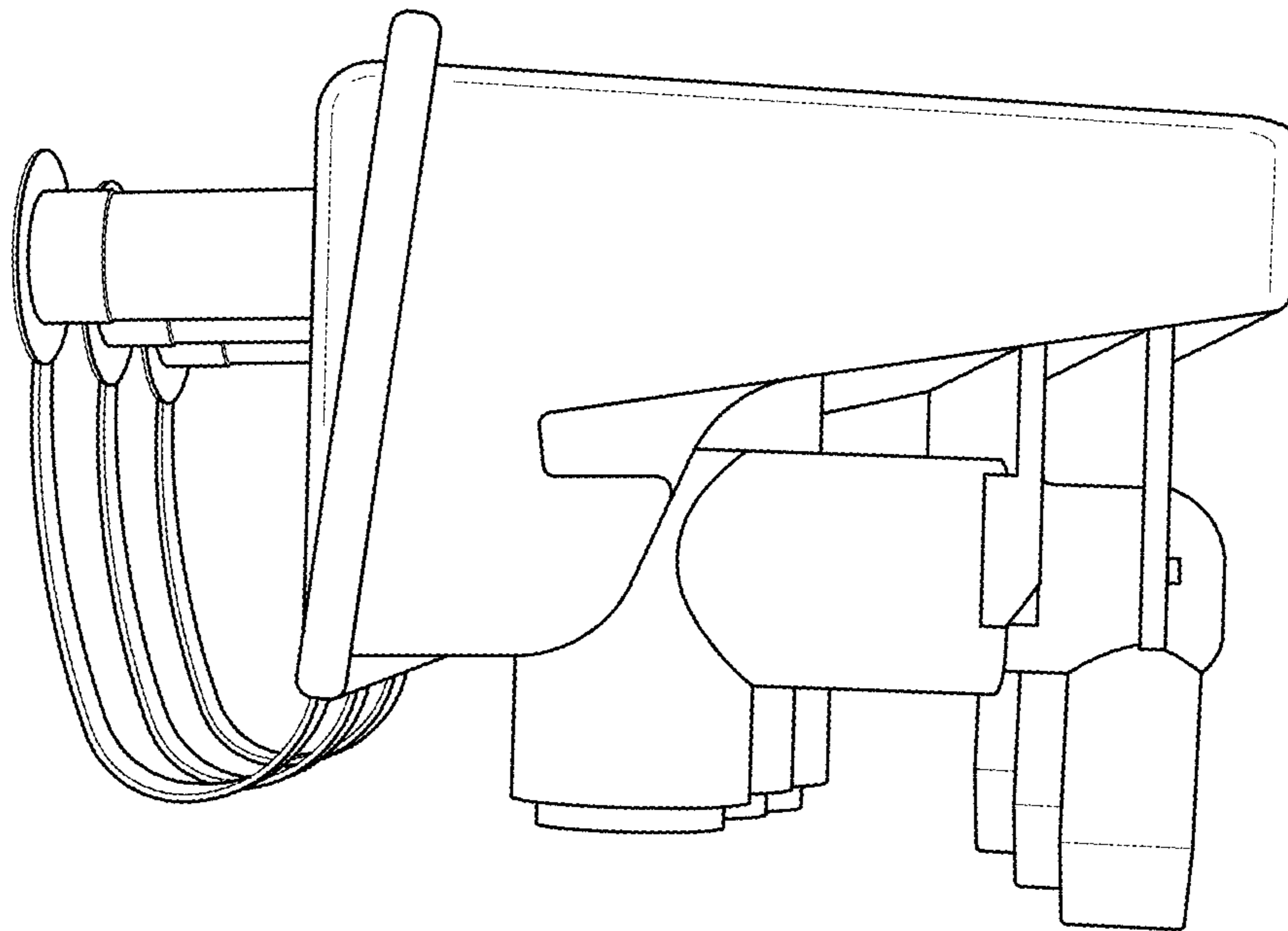
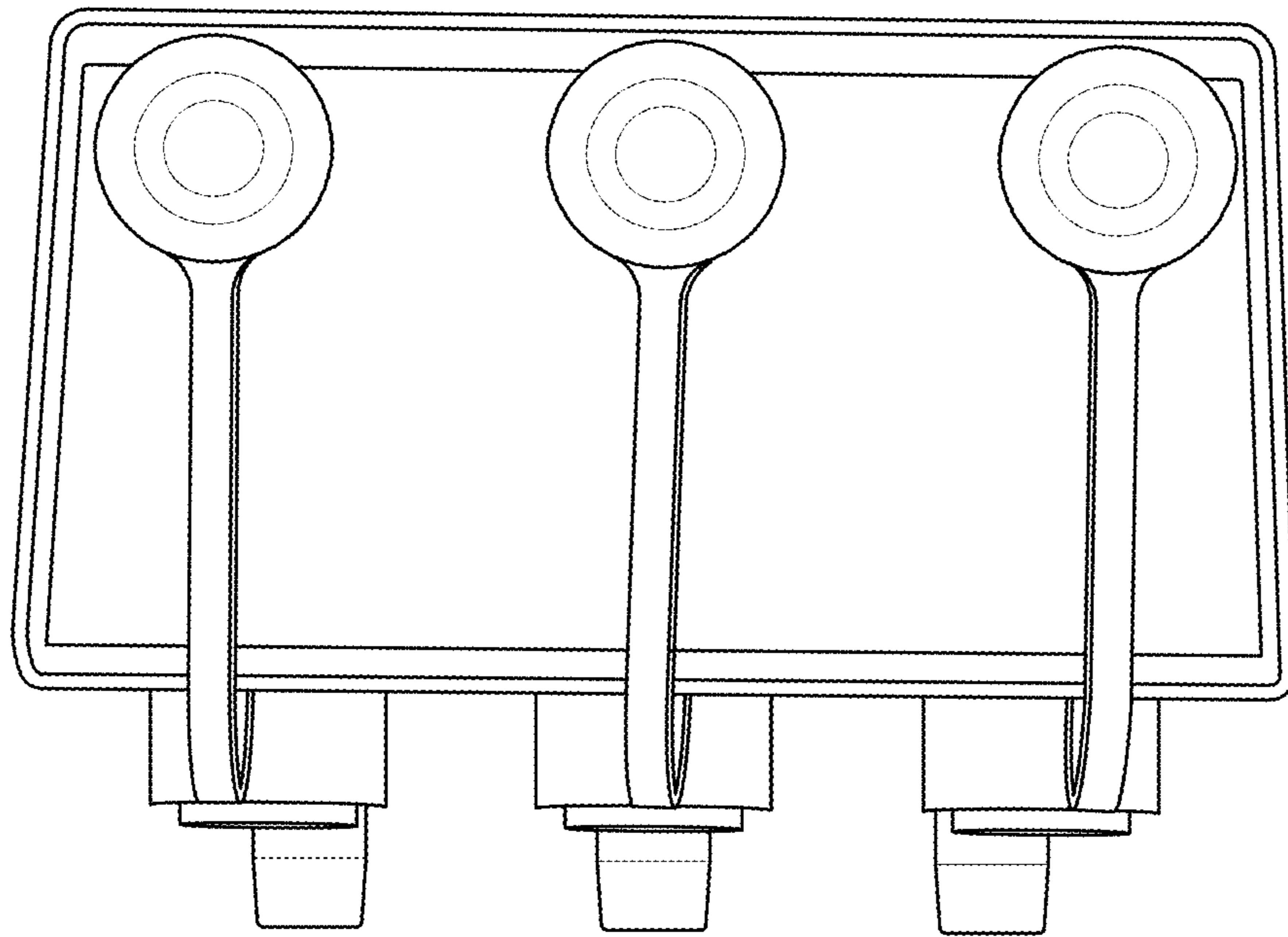
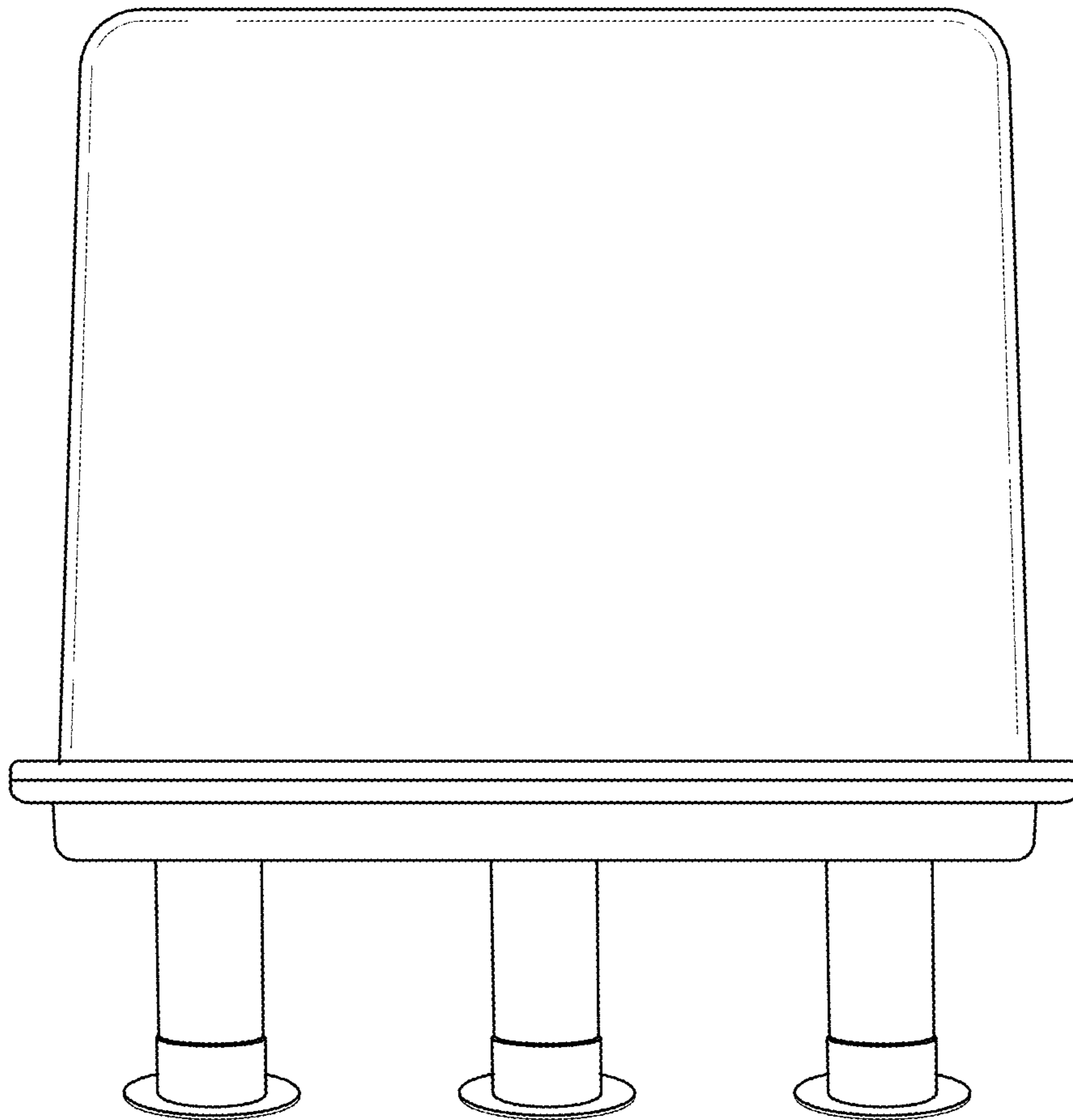


FIG. 4





**FIG. 5**



**FIG. 6**



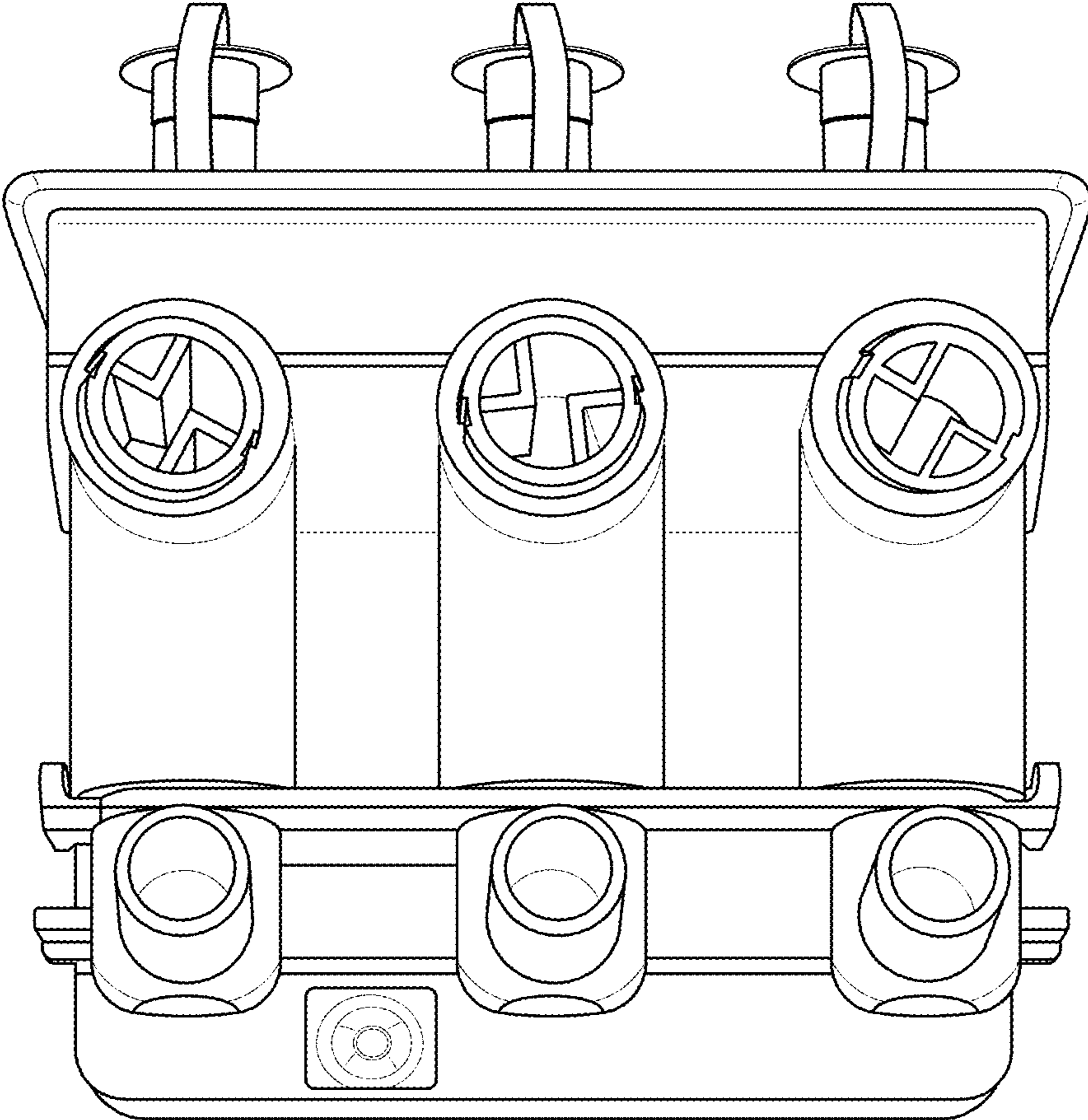


FIG. 7