



US00D932613S

(12) **United States Design Patent** (10) **Patent No.:** **US D932,613 S**
Puhalla et al. (45) **Date of Patent:** **** Oct. 5, 2021**

- (54) **INHALANT DISPENSER**
- (71) Applicant: **Loop Laboratories, LLC**, Chicago, IL (US)
- (72) Inventors: **D. Matthew Puhalla**, Glen Ellyn, IL (US); **Scott Harold Wilson**, Chicago, IL (US)
- (73) Assignee: **Loop Laboratories, LLC**, Chicago, IL (US)
- (**) Term: **15 Years**
- (21) Appl. No.: **29/770,556**
- (22) Filed: **Feb. 12, 2021**

D556,896 S 12/2007 Logan
D610,249 S 2/2010 Robinson
D629,504 S 12/2010 Zuyderhoudt
D629,507 S 12/2010 Zuyderhoudt
D629,508 S 12/2010 Zuyderhoudt
(Continued)

FOREIGN PATENT DOCUMENTS

GB 2470188 11/2010
Primary Examiner — Sheryl Lane
Assistant Examiner — Aula Soroush
(74) *Attorney, Agent, or Firm* — Neal, Gerber & Eisenberg LLP

(57) **CLAIM**

The ornamental design for an inhalant dispenser, as shown and described.

DESCRIPTION

FIG. 1 is a perspective view of an inhalant dispenser. FIG. 2 is a front view of the inhalant dispenser shown in FIG. 1. FIG. 3 is a rear view of the inhalant dispenser shown in FIG. 1, opposite the front view shown in FIG. 2. FIG. 4 is a side view of the inhalant dispenser shown in FIG. 1. FIG. 5 is a side view of the inhalant dispenser shown in FIG. 1, opposite of the side shown in FIG. 4. FIG. 6 is a top view of the inhalant dispenser shown in FIG. 1. FIG. 7 is a bottom view of the inhalant dispenser shown in FIG. 1, opposite the top view shown in FIG. 6; and, FIG. 8 is a partially exploded view of the inhalant dispenser shown in FIG. 1. The dot-dashed broken lines in the drawings illustrate the bounds of the inhalant dispenser that form no part of the claimed design. All other broken lines illustrate portions of the inhalant dispenser that form no part of the claimed design.

Related U.S. Application Data

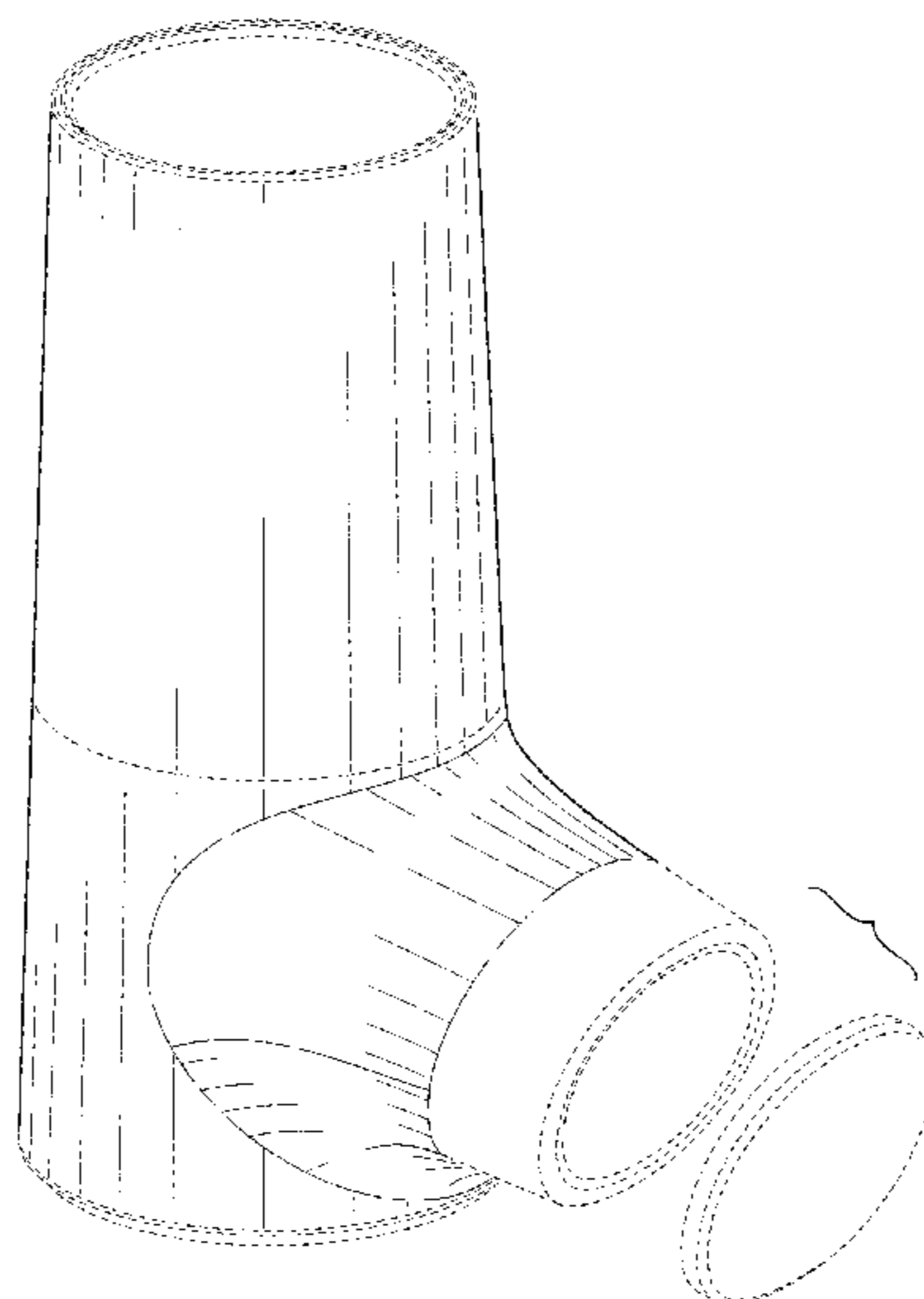
- (63) Continuation of application No. 29/670,253, filed on Nov. 14, 2018.
- (51) **LOC (13) Cl.** **29-02**
- (52) **U.S. Cl.**
USPC **D24/110**
- (58) **Field of Classification Search**
USPC D24/107, 108, 110, 110.1–110.5, 127, D24/164; D29/108
CPC A61M 15/0085; A61M 15/0005; A61M 11/005; A61M 11/00; A61M 11/02; A61M 11/04; A61M 5/087; A61M 5/0871; A61M 5/091; A61M 5/097; A61M 15/00; A61M 15/0065; A61M 15/0091; A61M 15/0021; A61M 15/0026; A61M 15/008; A61M 15/007
See application file for complete search history.

(56) **References Cited**

U.S. PATENT DOCUMENTS

D207,143 S 3/1967 Goodwin
D291,829 S 9/1987 Torongo et al.
D416,998 S 11/1999 Hodson et al.

1 Claim, 6 Drawing Sheets



(56)

References Cited

U.S. PATENT DOCUMENTS

| | | | | |
|--------------|------|---------|-----------------|--------------|
| D629,889 | S | 12/2010 | Zuyderhoudt | |
| D657,446 | S | 4/2012 | Herfort | |
| D657,447 | S | 4/2012 | Herfort | |
| D681,803 | S | 5/2013 | Sheehy | |
| D681,804 | S | 5/2013 | Sheehy | |
| D772,394 | S | 11/2016 | Walsh | |
| D772,395 | S | 11/2016 | Walsh | |
| D852,947 | S | 7/2019 | Dethlefs et al. | |
| D853,555 | S | 7/2019 | Oliveras et al. | |
| D863,531 | S * | 10/2019 | Jackson | D24/110 |
| D863,533 | S | 10/2019 | Jackson et al. | |
| D871,567 | S * | 12/2019 | Pieters | D24/110 |
| 10,953,168 | B2 * | 3/2021 | Biswas | A61M 15/009 |
| 10,960,151 | B2 * | 3/2021 | Weaver | A61M 16/0003 |
| 10,967,140 | B2 * | 4/2021 | Petit | A61M 15/009 |
| 2002/0000225 | A1 | 1/2002 | Schuler et al. | |
| 2007/0181120 | A1 | 8/2007 | Wright et al. | |
| 2010/0192946 | A1 | 8/2010 | Oi et al. | |
| 2014/0137862 | A1 | 5/2014 | Chen et al. | |

* cited by examiner

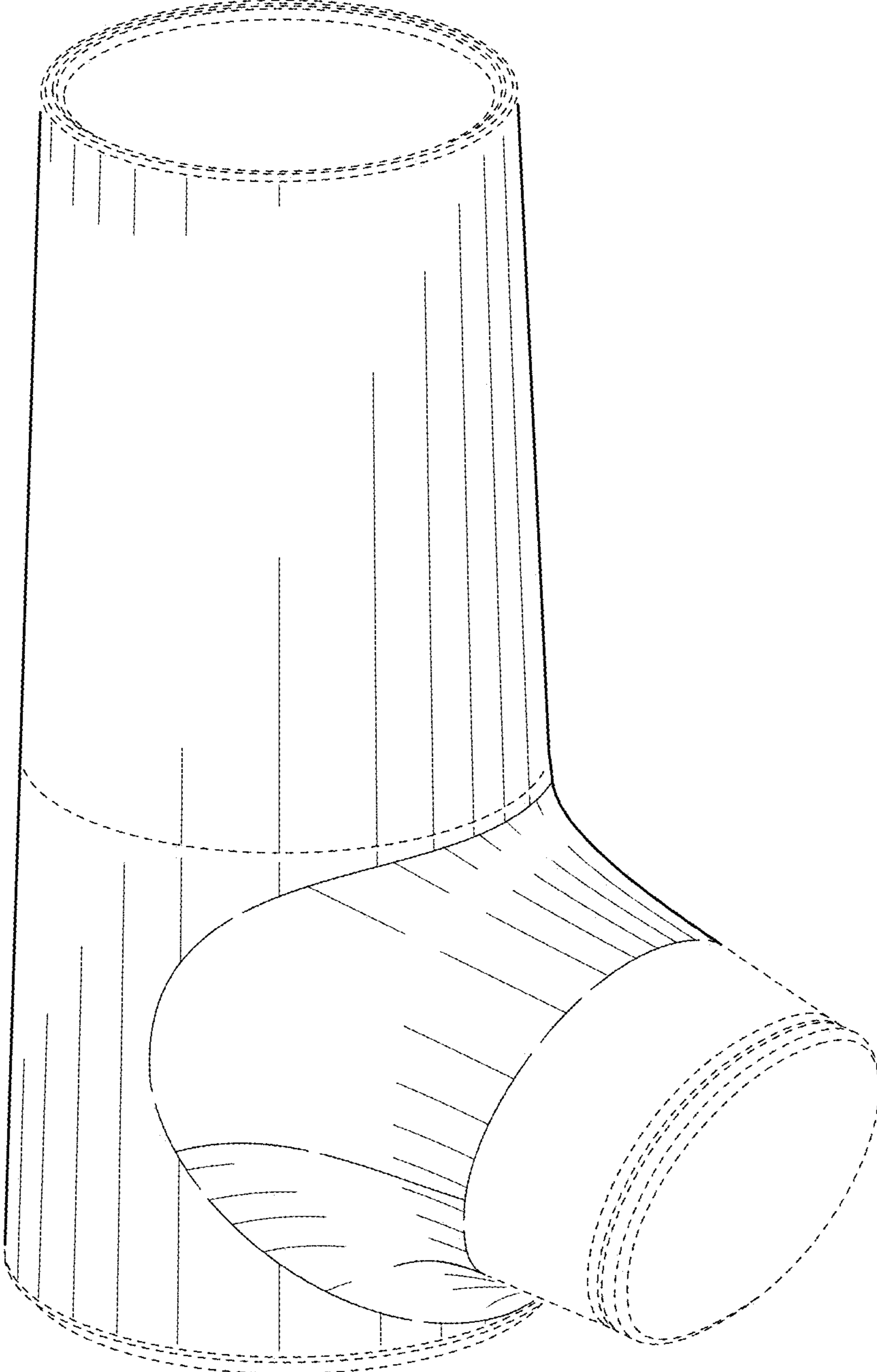


FIG. 1

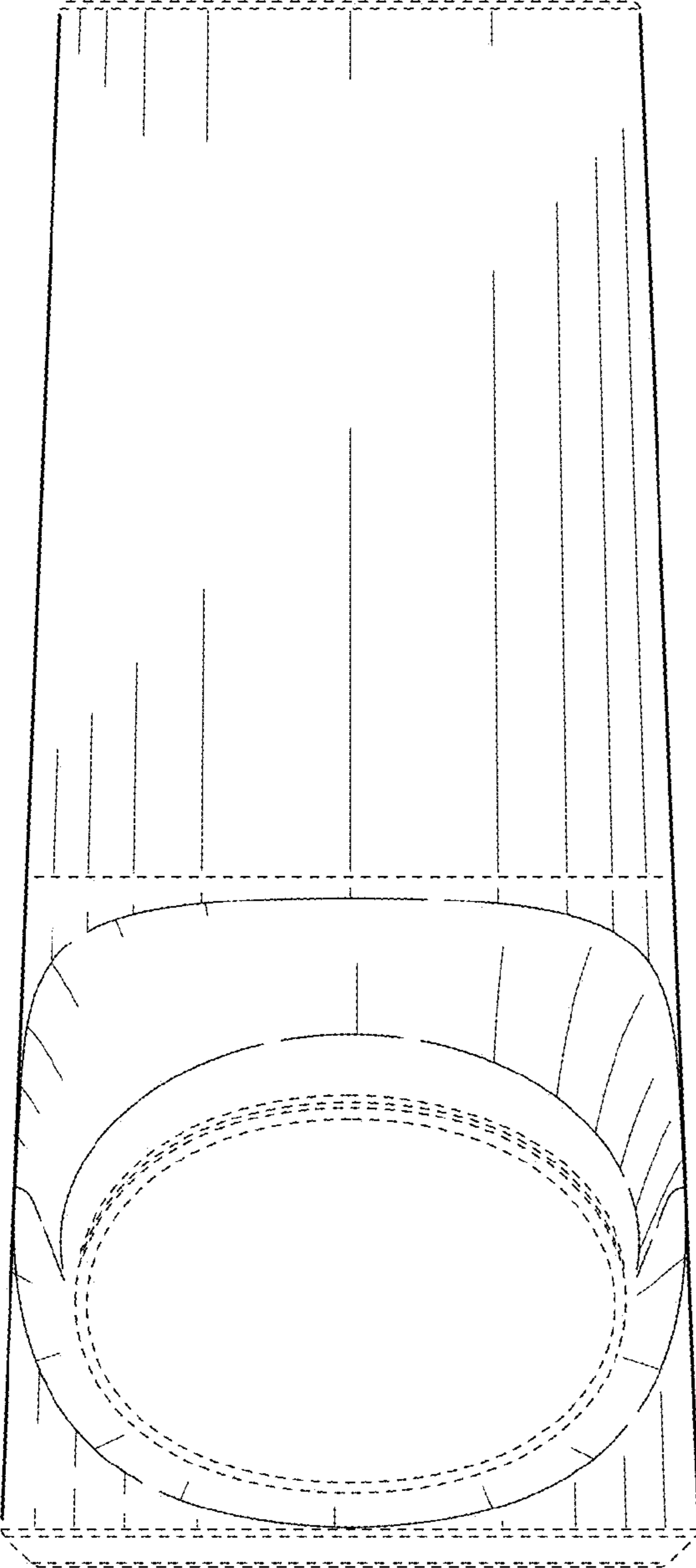


FIG. 2

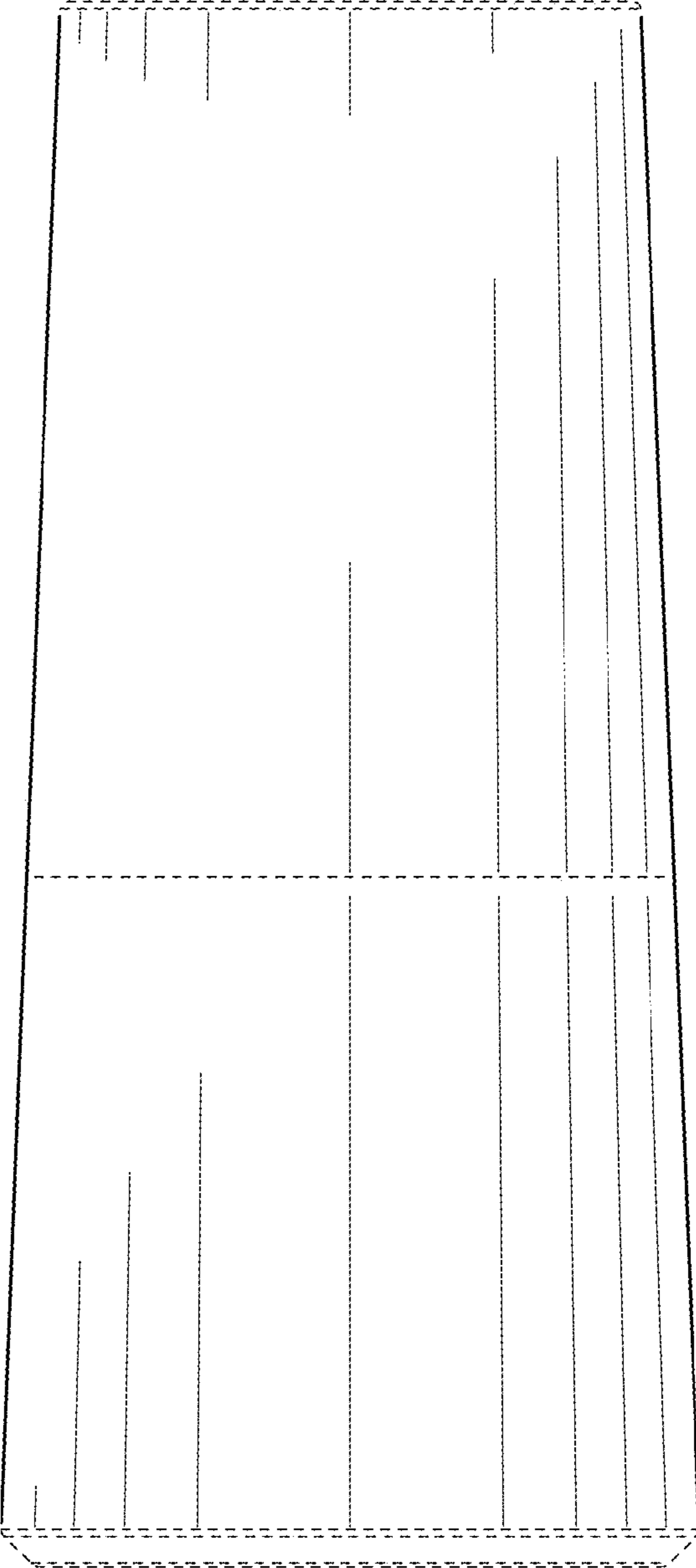


FIG. 3

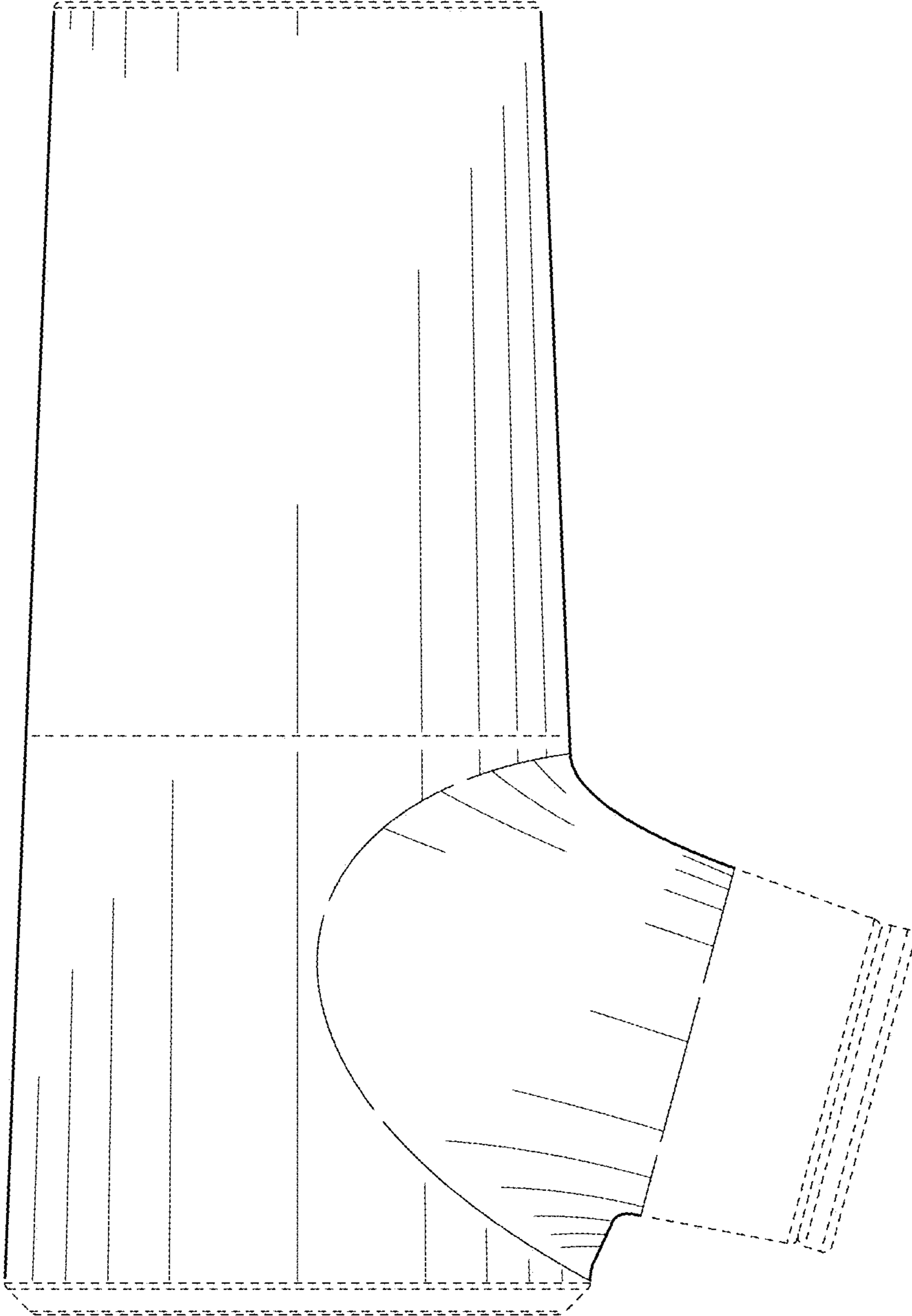


FIG. 4

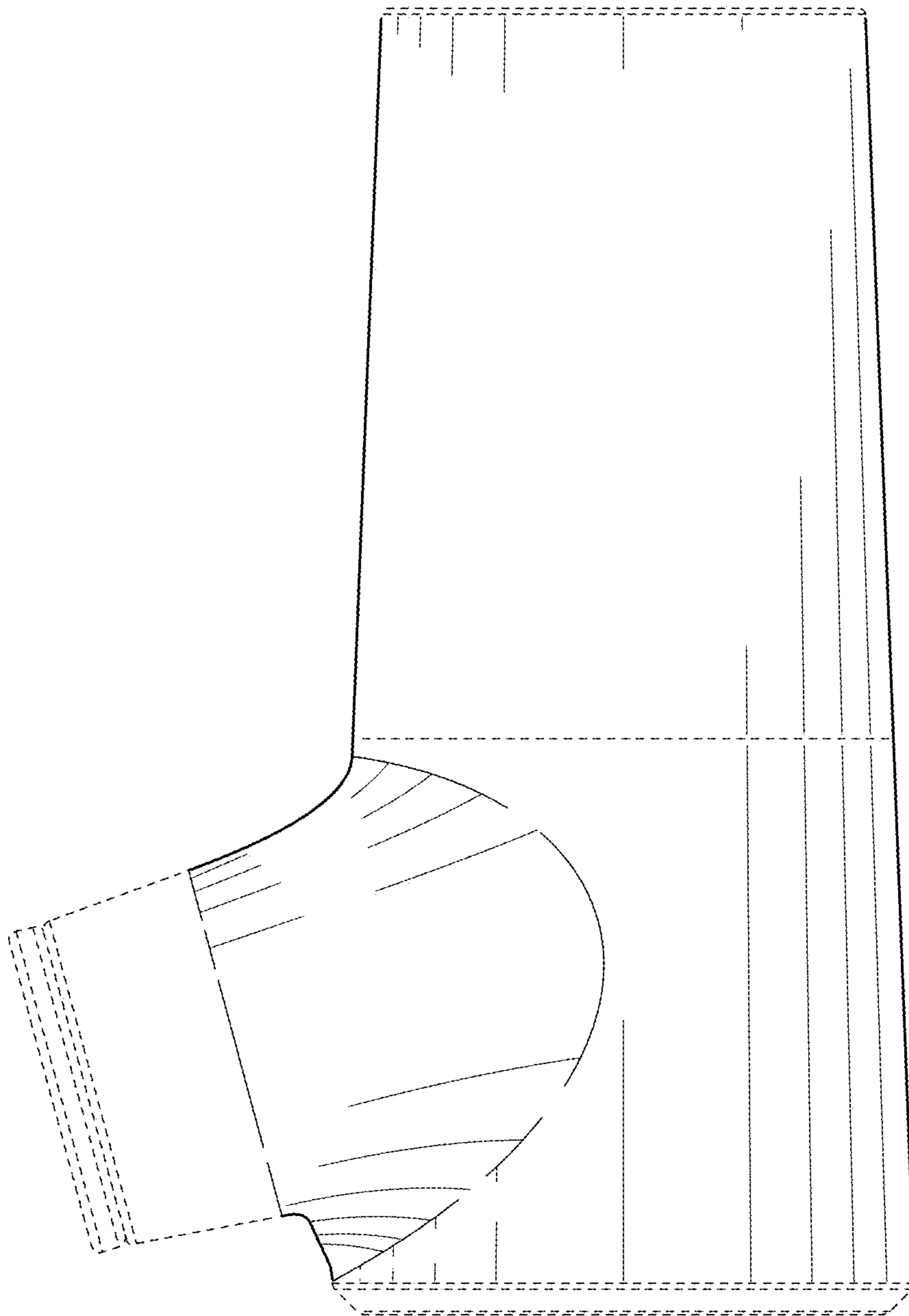


FIG. 5

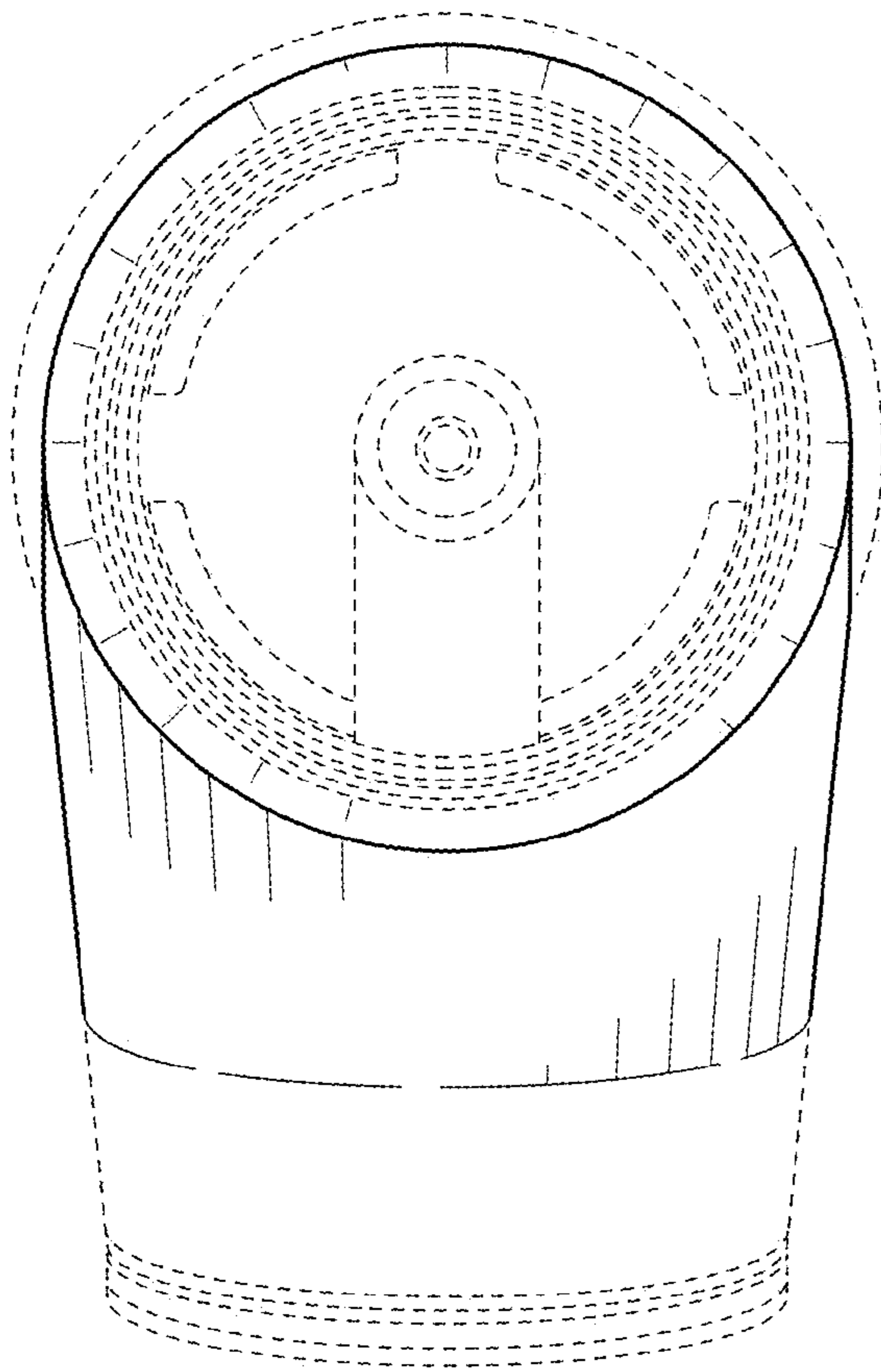


FIG. 6

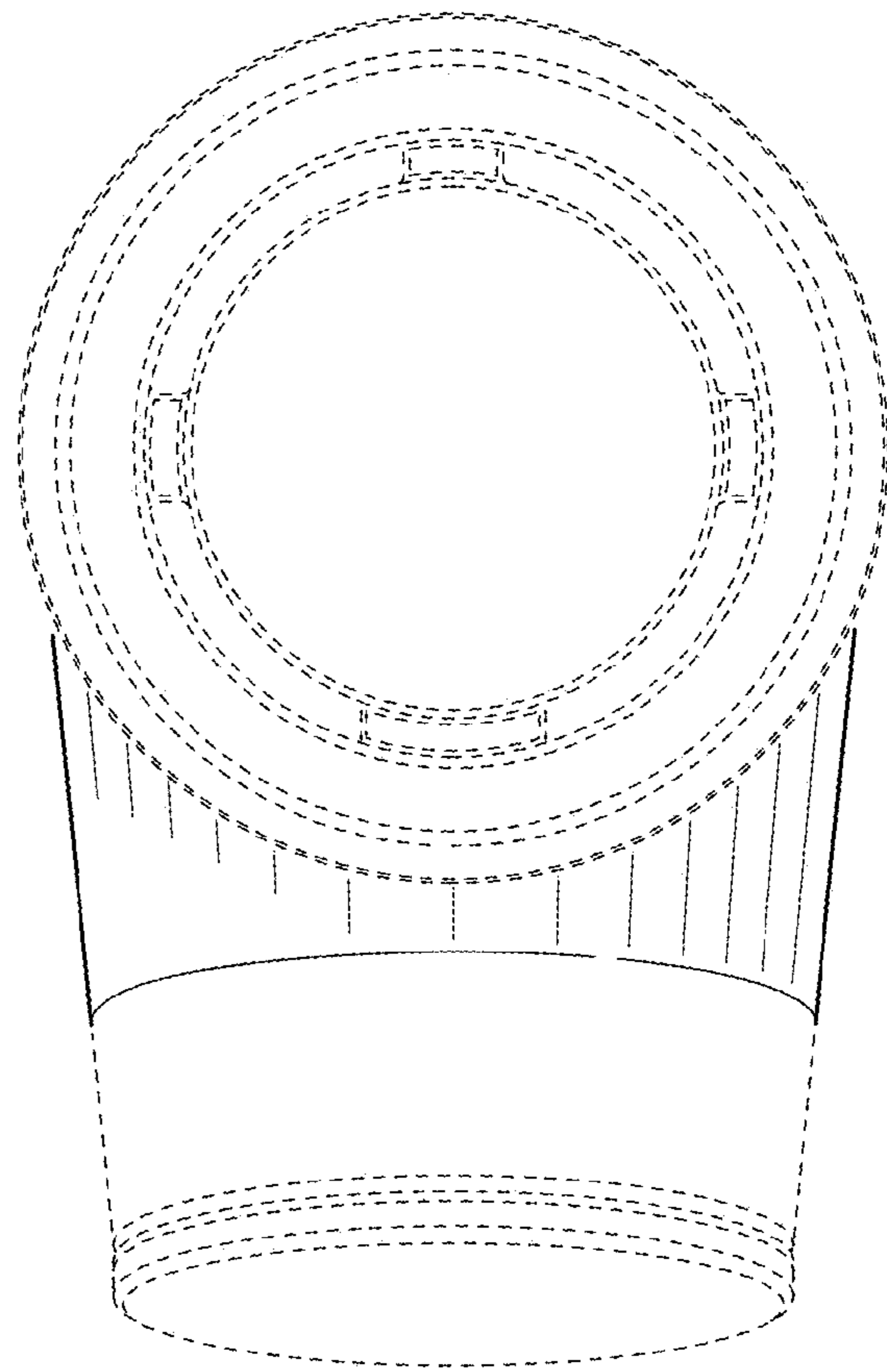


FIG. 7

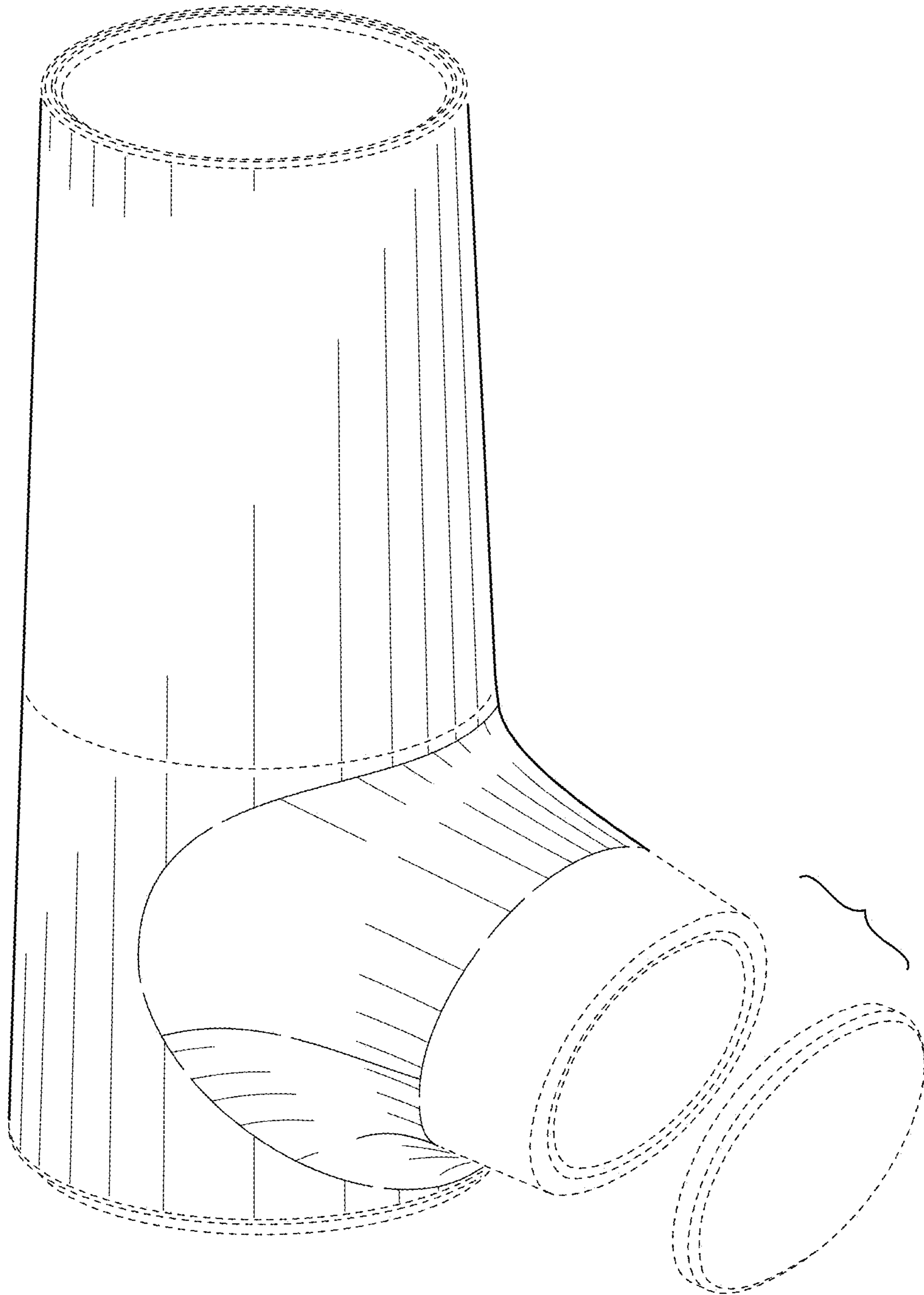


FIG. 8