

US00D932612S

(12) **United States Design Patent** (10) **Patent No.:** **US D932,612 S**
Malaker et al. (45) **Date of Patent:** **** Oct. 5, 2021**

(54) **FAN GRILLE**

(71) Applicant: **HOMEWERKS WORLDWIDE, LLC**, Lake Bluff, IL (US)

(72) Inventors: **Michael Malaker**, Gurnee, IL (US); **Huang Xiaoying**, Panyu (CN); **Qui Xiwen**, Foshan (CN); **Li Xiaoshan**, Foshan (CN); **He Liting**, Foshan (CN)

(73) Assignee: **Homewerks Worldwide, LLC**, Lake Bluff, IL (US)

(**) Term: **15 Years**

2,800,069 A 7/1957 Smith
 2,875,678 A 3/1959 Shepherd
 D185,175 S 5/1959 Schlumbohm
 2,911,900 A 11/1959 Rudy
 2,924,661 A 2/1960 Messeas, Jr.
 2,963,956 A 12/1960 Hill
 2,966,550 A 12/1960 Goldberg et al.
 2,987,258 A 6/1961 North
 3,002,676 A 10/1961 Papsdorf
 3,045,579 A 7/1962 Jenn et al.
 3,064,548 A 11/1962 Field
 3,068,341 A 12/1962 Ortiz et al.
 3,101,662 A 8/1963 Alldritt
 3,194,952 A 7/1965 Wells
 3,211,080 A 10/1965 Rader

(Continued)

(21) Appl. No.: **29/714,838**

(22) Filed: **Nov. 26, 2019**

(51) **LOC (13) Cl.** **23-03**

(52) **U.S. Cl.**
 USPC **D23/412**; D23/371; D23/385

(58) **Field of Classification Search**
 USPC D23/314, 351, 353, 354, 364, 366,
 D23/370-376, 378, 381, 383, 385, 388,
 D23/393, 395, 411, 412; D26/59
 CPC F24F 13/082; H04R 1/028
 See application file for complete search history.

FOREIGN PATENT DOCUMENTS

CA 2471905 7/2003
 JP 04-20670 1/1992

(Continued)

Primary Examiner — Sharon S Oum
 (74) *Attorney, Agent, or Firm* — Cozen O'Connor

(57) **CLAIM**

The ornamental design for a fan grille, as shown and described.

DESCRIPTION

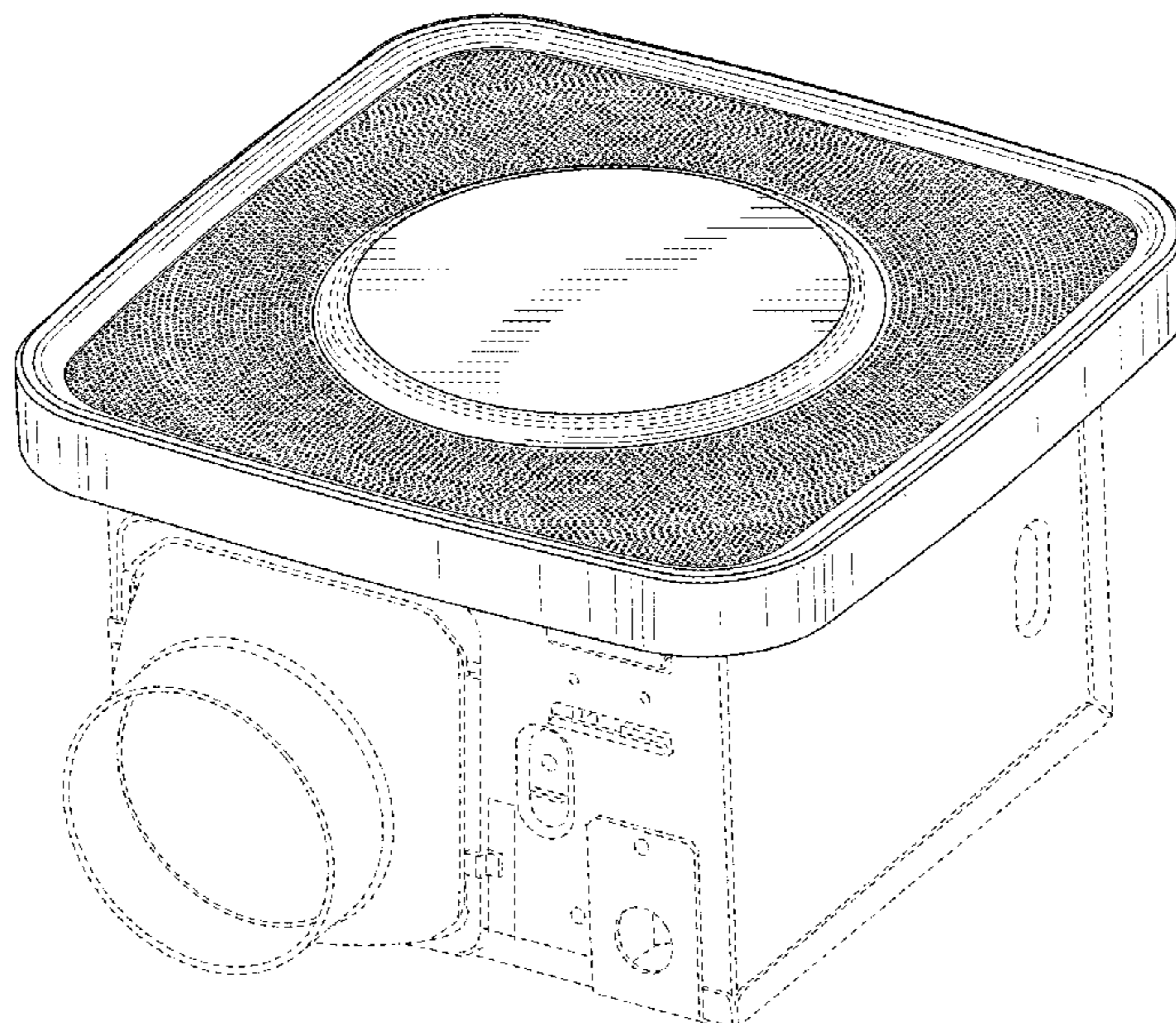
FIG. 1 shows a front perspective view of a fan grille; FIG. 2 shows a front view thereof; FIG. 3 shows a left side view thereof; FIG. 4 shows a right side view thereof; FIG. 5 shows a bottom view thereof; FIG. 6 shows a top view thereof; and, FIG. 7 shows a rear view thereof. The broken lines illustrate environmental structure and portion of the fan grille that form no part of the claimed design.

1 Claim, 7 Drawing Sheets

(56) **References Cited**

U.S. PATENT DOCUMENTS

| | | |
|-------------|---------|-----------------|
| 1,199,664 A | 9/1916 | Chambley |
| 1,532,635 A | 4/1925 | Osbn |
| 2,010,322 A | 8/1935 | Riddell |
| 2,182,690 A | 12/1939 | Cole |
| 2,189,008 A | 2/1940 | Kurth |
| 2,278,581 A | 4/1942 | Dexter |
| 2,359,021 A | 9/1944 | Campbell et al. |
| 2,483,377 A | 9/1949 | Young |
| 2,668,491 A | 2/1954 | Gerlitz |
| 2,673,514 A | 3/1954 | Hanks |
| 2,710,573 A | 6/1955 | Marker |



(56)

References Cited

U.S. PATENT DOCUMENTS

| | | | |
|--------------|----|---------|-----------------|
| 2014/0099195 | A1 | 4/2014 | Jun |
| 2014/0141709 | A1 | 5/2014 | Hammer |
| 2014/0177901 | A1 | 6/2014 | Berkman et al. |
| 2014/0183279 | A1 | 7/2014 | Hanna et al. |
| 2014/0192513 | A1 | 7/2014 | Yim et al. |
| 2014/0233786 | A1 | 8/2014 | Sumitani et al. |
| 2014/0254857 | A1 | 9/2014 | Berkman et al. |
| 2014/0268650 | A1 | 9/2014 | Tsai |
| 2014/0360805 | A1 | 12/2014 | Berkman et al. |
| 2014/0364050 | A1 | 12/2014 | McIver |
| 2015/0031282 | A1 | 1/2015 | Nagan |
| 2015/0125292 | A1 | 5/2015 | Karst |
| 2015/0139476 | A1 | 5/2015 | Yu |

FOREIGN PATENT DOCUMENTS

| | | |
|----|-------------|---------|
| JP | 04-49381 | 2/1992 |
| JP | 05-119784 | 5/1993 |
| JP | 05-230853 | 9/1993 |
| JP | 2001-157642 | 6/2001 |
| JP | 2004-301438 | 10/2004 |
| JP | 2008-164206 | 7/2008 |
| JP | 2008-190766 | 8/2008 |

* cited by examiner

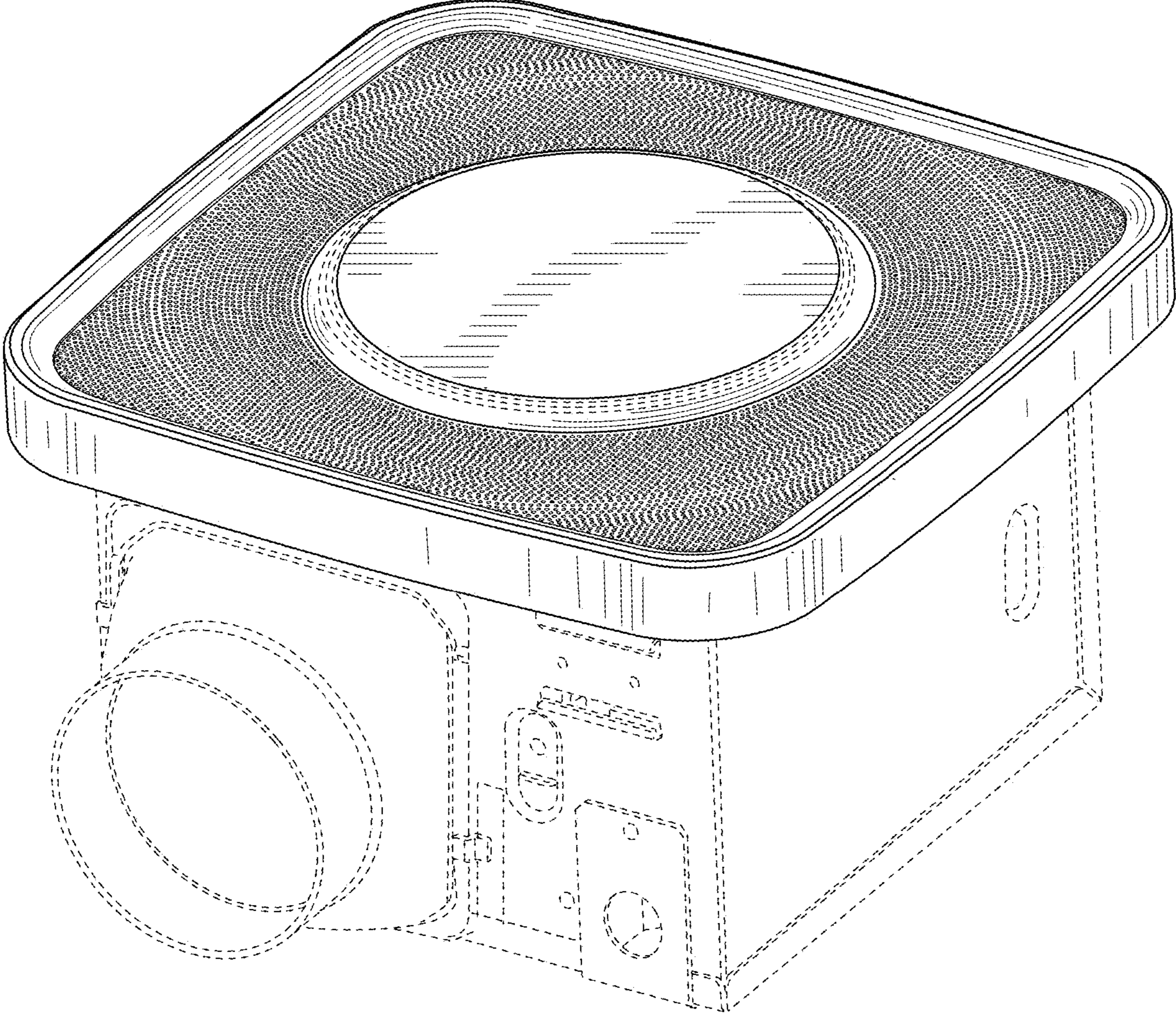


FIG. 1

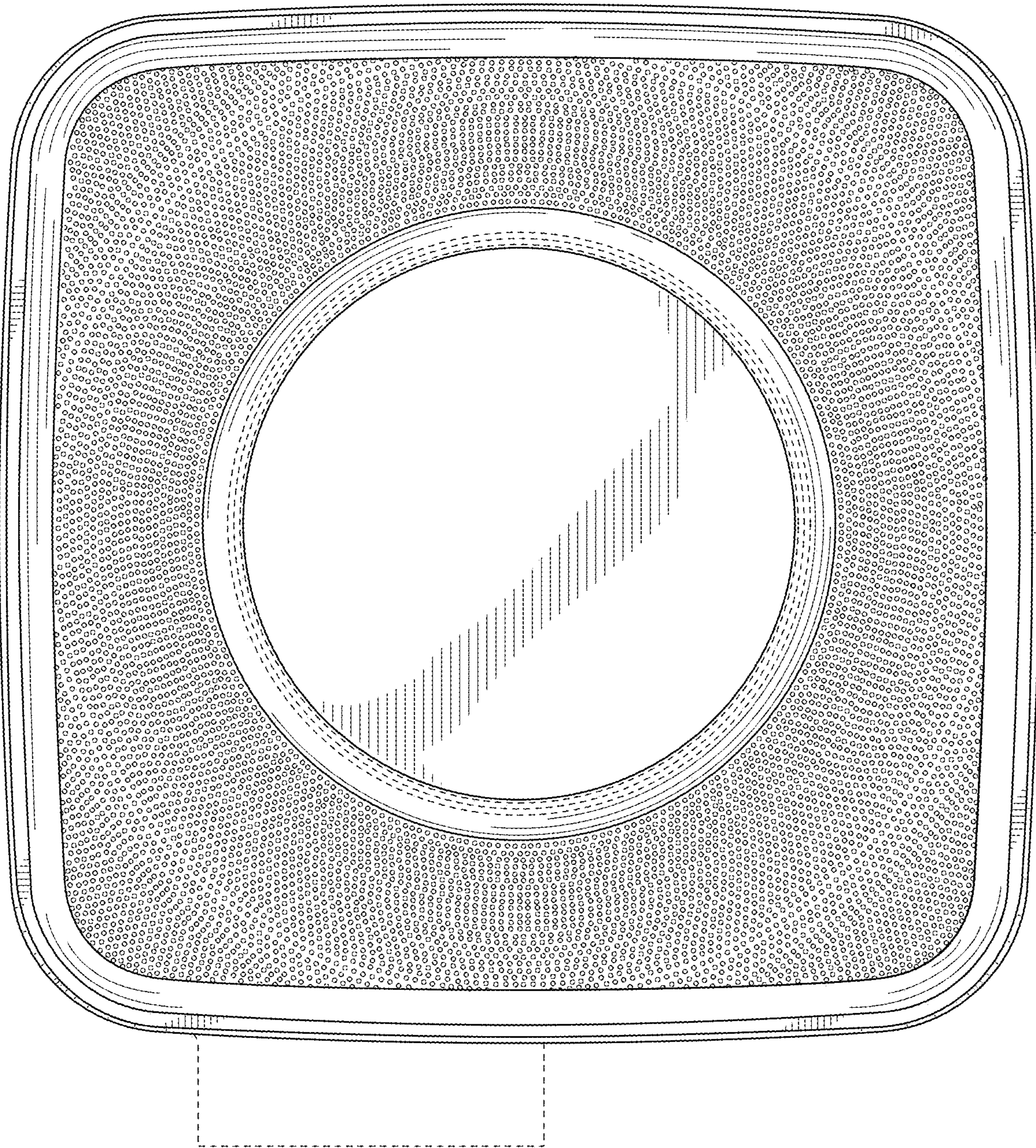


FIG. 2

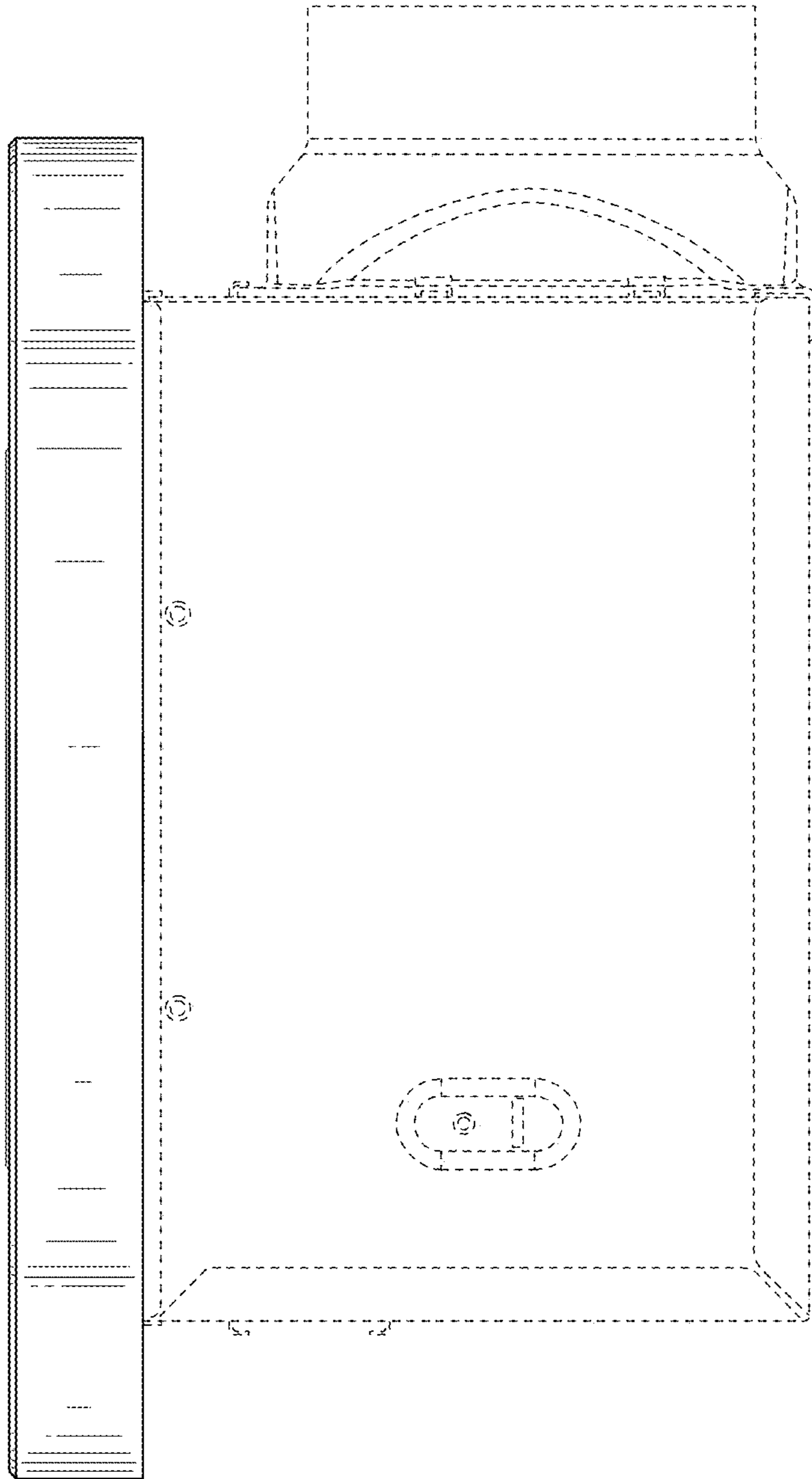


FIG. 3

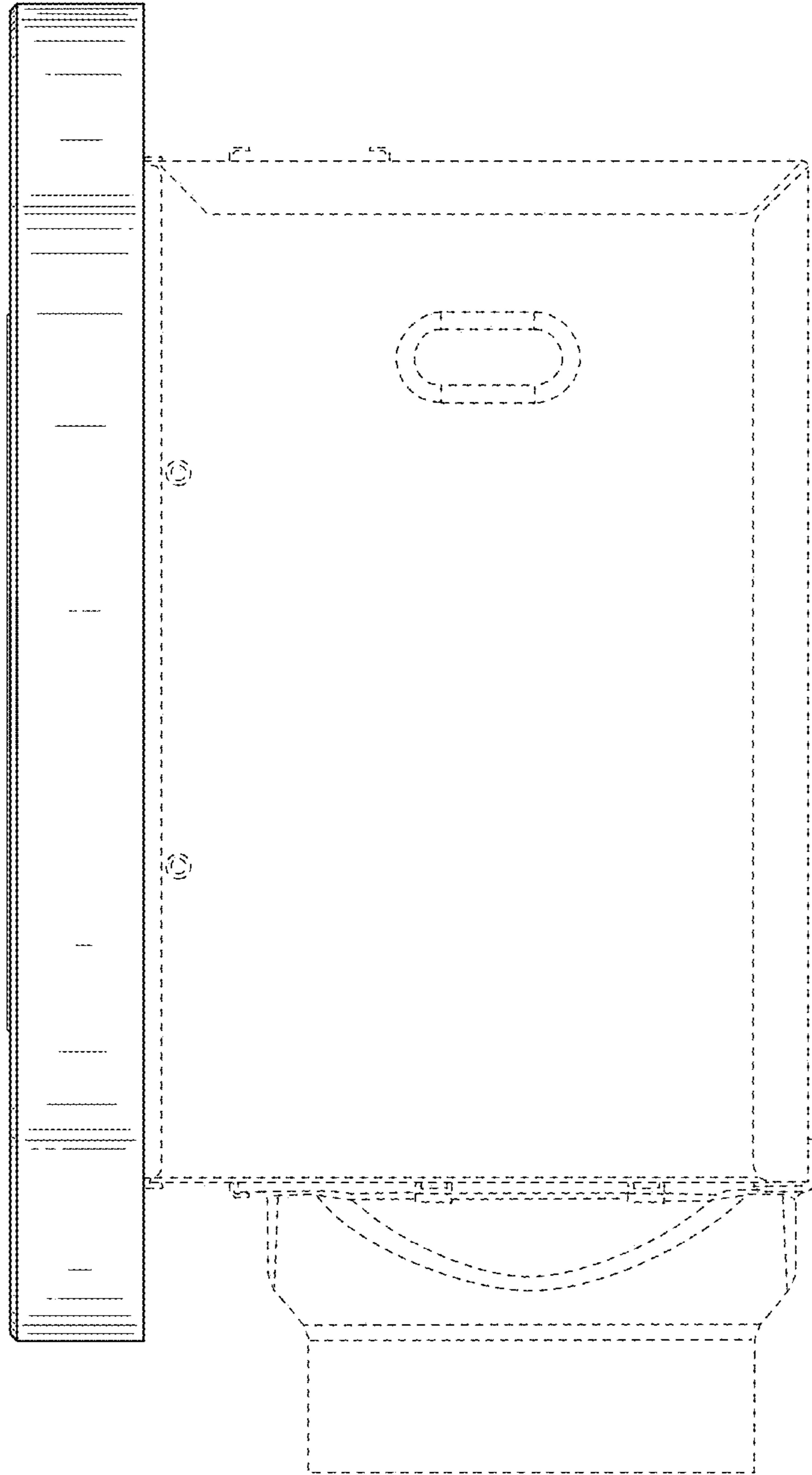


FIG. 4

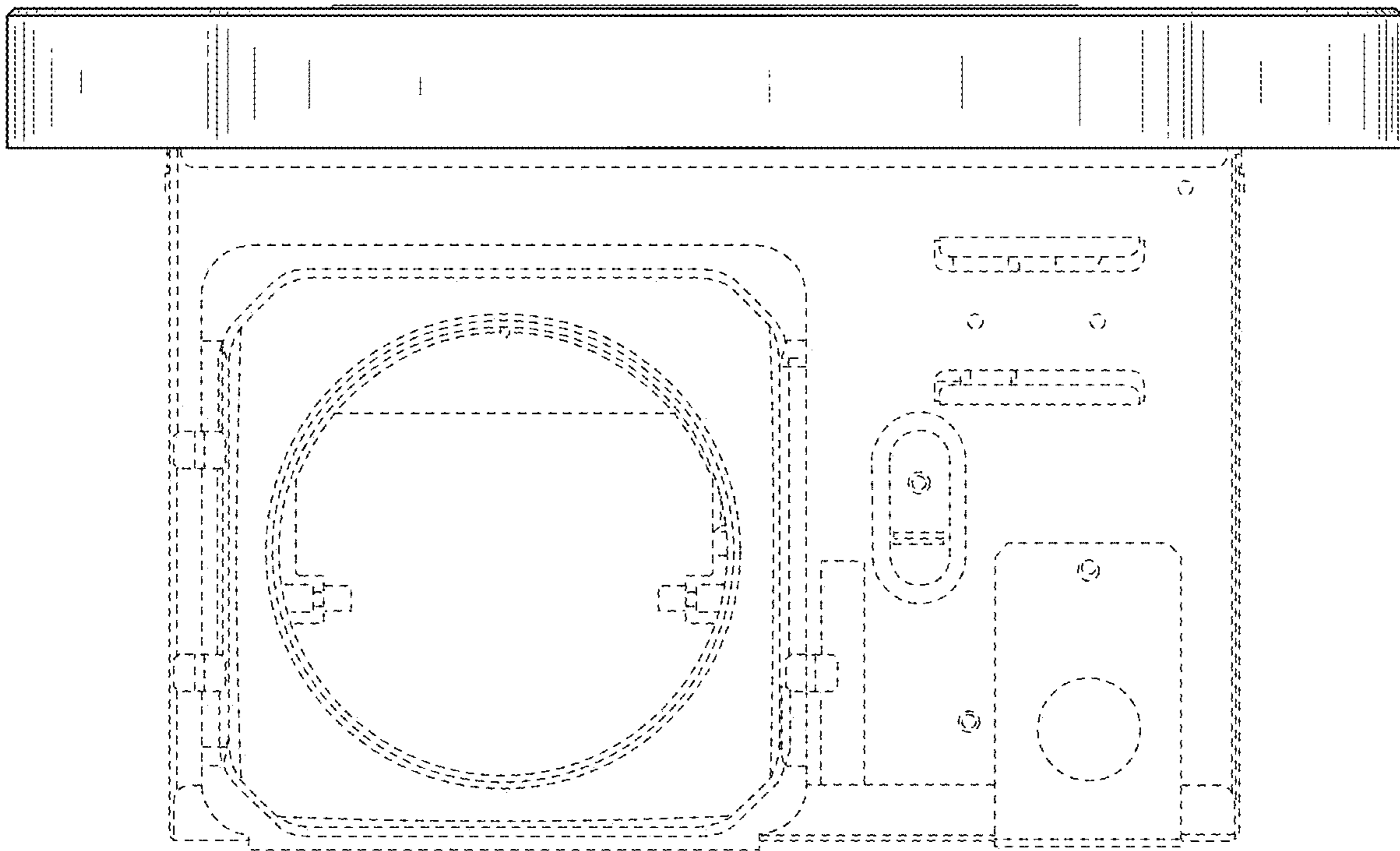


FIG. 5



FIG. 6

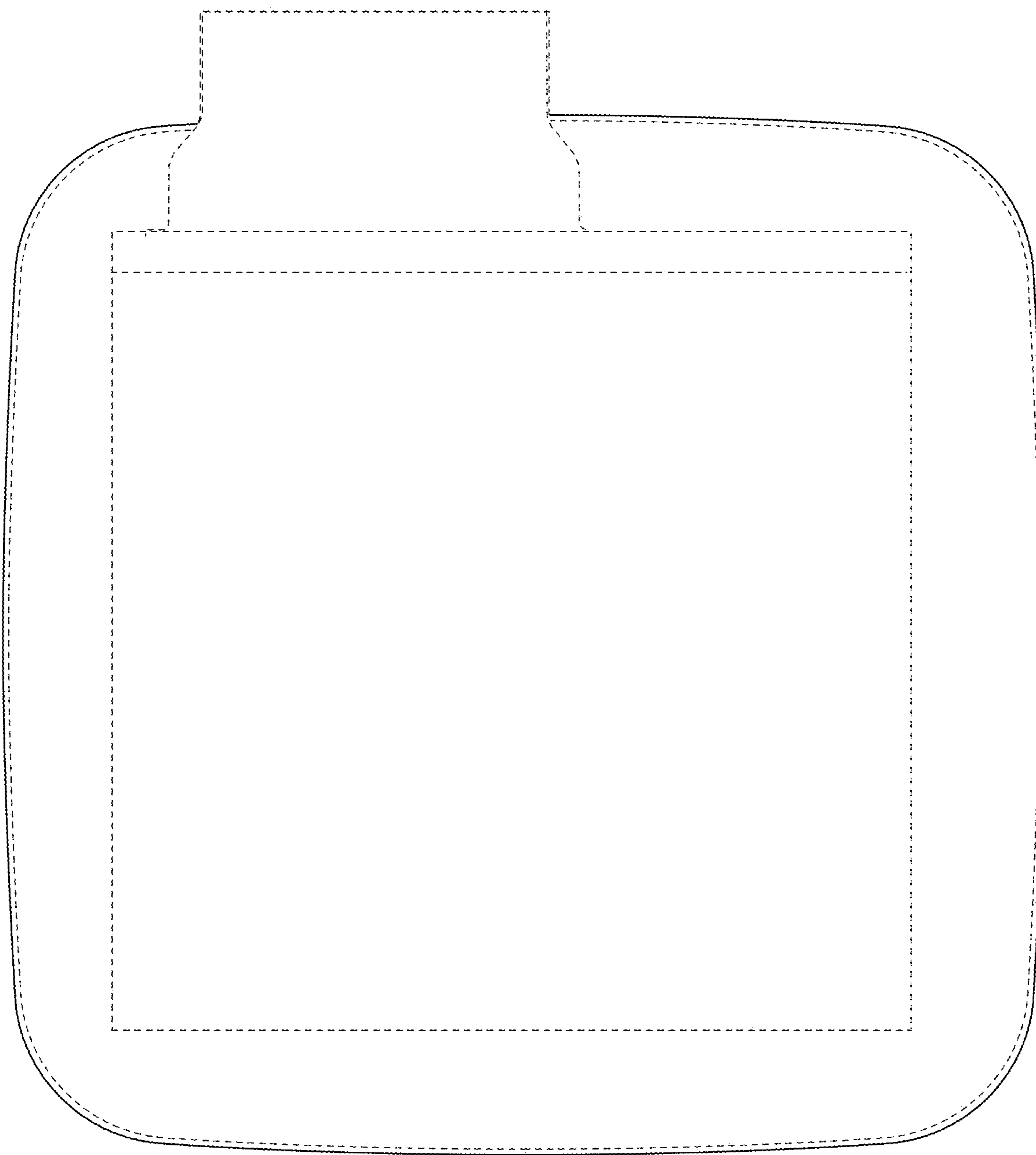


FIG. 7