



US00D932611S

(12) **United States Design Patent**
Berkman et al.

(10) **Patent No.:** **US D932,611 S**

(45) **Date of Patent:** **** Oct. 5, 2021**

(54) **FAN GRILLE**
(71) Applicant: **HOMERWERKS WORLDWIDE, LLC**, Lake Bluff, IL (US)
(72) Inventors: **Peter D. Berkman**, Highland Park, IL (US); **Michael Malaker**, Gurnee, IL (US)
(73) Assignee: **Homewerks Worldwide, LLC**, Lake Bluff, IL (US)
(**) Term: **15 Years**

2,800,069 A 7/1957 Smith
2,875,678 A 3/1959 Shepherd
D185,175 S 5/1959 Schlumbohm
2,911,900 A 11/1959 Rudy
2,924,661 A 2/1960 Messeas, Jr.
2,963,956 A 12/1960 Hill
2,966,550 A 12/1960 Goldberg et al.
2,987,258 A 6/1961 North
3,002,676 A 10/1961 Papsdorf
3,045,579 A 7/1962 Jenn et al.
3,064,548 A 11/1962 Field
3,068,341 A 12/1962 Ortiz et al.
3,101,662 A 8/1963 Alldritt
3,194,952 A 7/1965 Wells
3,211,080 A 10/1965 Rader
3,212,425 A 10/1965 Hazen et al.

(Continued)

(21) Appl. No.: **29/695,956**

(22) Filed: **Jun. 24, 2019**

(51) **LOC (13) Cl.** **23-03**

(52) **U.S. Cl.**
USPC **D23/412; D23/385**

(58) **Field of Classification Search**
USPC D23/314, 351, 353, 354, 364, 366,
D23/370-376, 378, 381, 383, 385, 388,
D23/393, 395, 411, 412; D26/59
CPC F24F 13/082; H04R 1/028
See application file for complete search history.

FOREIGN PATENT DOCUMENTS

CA 2471905 7/2003
JP 04-20670 1/1992

(Continued)

Primary Examiner — Sharon S Oum
(74) *Attorney, Agent, or Firm* — Cozen O'Connor

(57) **CLAIM**

The ornamental design for a fan grille, as shown and described.

(56) **References Cited**

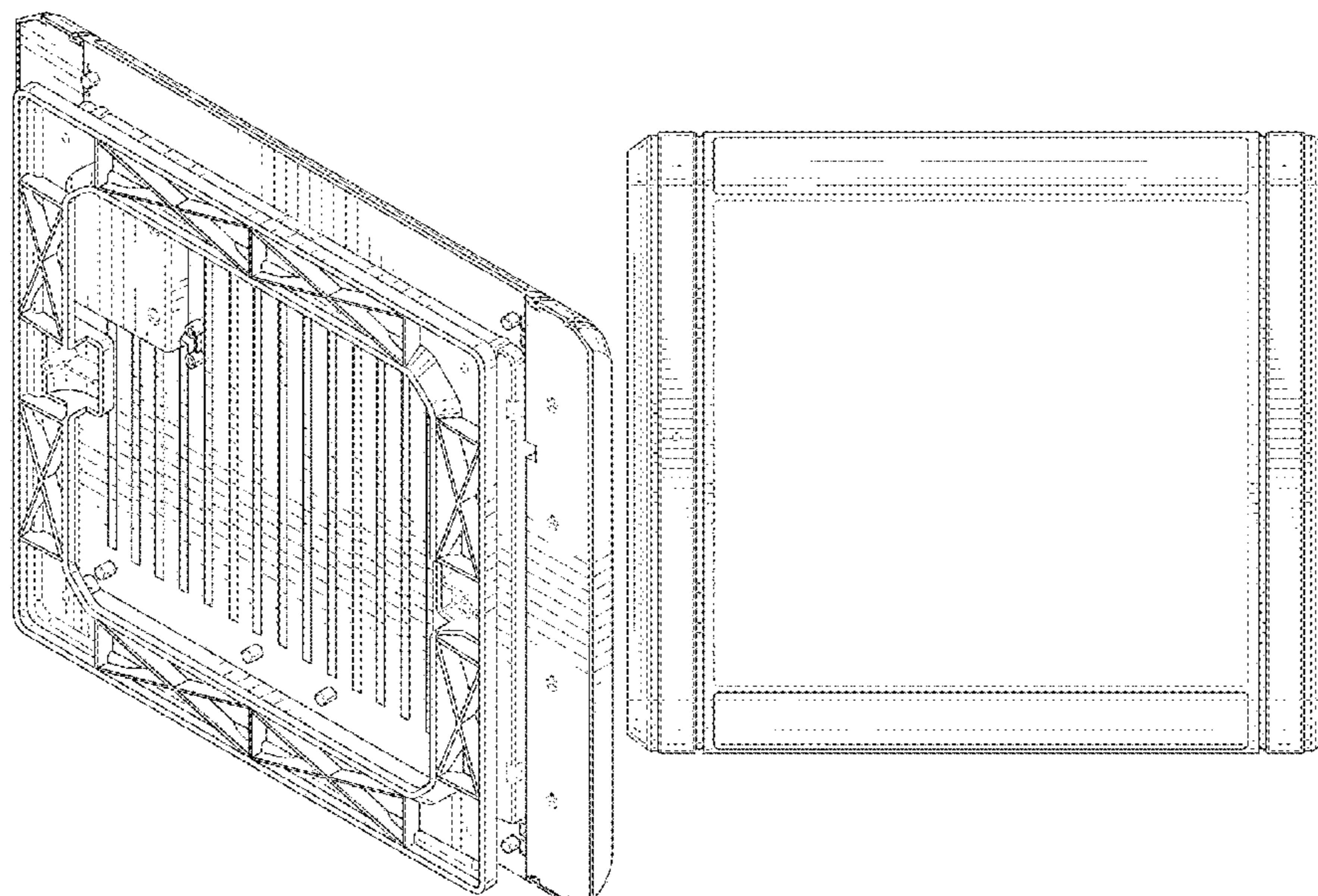
U.S. PATENT DOCUMENTS

1,199,664 A 9/1916 Chambley
1,532,635 A 4/1925 Osburn
2,010,322 A 8/1935 Riddell
2,182,690 A 12/1939 Cole
2,189,008 A 2/1940 Kurth
2,278,581 A 4/1942 Dexter
2,359,021 A 9/1944 Campbell et al.
2,483,377 A 9/1949 Young
D165,982 S * 2/1952 Kennedy D23/388
2,668,491 A 2/1954 Gerlitz
2,673,514 A 3/1954 Hanks
2,710,573 A 6/1955 Marker

DESCRIPTION

FIG. 1 shows a rear perspective view of a fan grille;
FIG. 2 shows a rear view thereof;
FIG. 3 shows a front view thereof;
FIG. 4 shows a right side view thereof;
FIG. 5 shows a left side view thereof;
FIG. 6 shows a top view thereof; and,
FIG. 7 shows a bottom view thereof.
The broken lines illustrate portions of the fan grille, that form no part of the claimed design.

1 Claim, 5 Drawing Sheets



(56)

References Cited

U.S. PATENT DOCUMENTS

3,326,112	A	6/1967	Sadlow et al.	5,879,232	A	3/1999	Luter, II et al.
3,332,334	A	7/1967	Melzer	5,884,694	A	3/1999	Tanenbaum
3,347,025	A	10/1967	Wiley	5,909,534	A	6/1999	Ko
D212,899	S	* 12/1968	Vesely D26/24	5,918,972	A	7/1999	Van Belle
3,438,180	A	4/1969	Klouda	5,934,783	A	8/1999	Yoshikawa
D215,675	S	10/1969	Yran	5,938,525	A	8/1999	Birdsong
3,570,387	A	3/1971	Eggers	D416,315	S	11/1999	Nanjo
3,572,234	A	3/1971	Schoenthaler	5,980,057	A	11/1999	Christie
3,577,710	A	5/1971	Feldman	5,996,727	A	12/1999	Blind et al.
3,606,593	A	9/1971	Steiner	6,060,979	A	5/2000	Eichsteadt
3,636,306	A	1/1972	Bumpus	6,087,938	A	7/2000	Gitelis et al.
3,665,838	A	5/1972	Shepherd	D432,226	S	10/2000	Orendorff
3,692,977	A	9/1972	Duhamel et al.	D433,116	S	10/2000	Han et al.
3,698,833	A	10/1972	Cann et al.	D434,751	S	12/2000	Sogabe et al.
3,701,895	A	10/1972	Sweetser	D437,194	S	2/2001	Rivas et al.
3,732,030	A	5/1973	Mullings	D437,405	S	2/2001	Schrank
3,743,439	A	7/1973	Cann	6,215,885	B1	4/2001	Geiger
3,785,271	A	1/1974	Joy	D444,777	S	7/2001	Bird et al.
3,788,207	A	1/1974	Doherty, II	D448,462	S	9/2001	Nanjo
3,832,679	A	8/1974	Foley et al.	6,321,869	B1	11/2001	Park
3,926,537	A	12/1975	Piper	D452,906	S	1/2002	Peng
3,952,638	A	4/1976	Felter et al.	D453,375	S	2/2002	Peng
4,073,597	A	2/1978	Barnhart et al.	6,345,685	B1	2/2002	Wells et al.
4,115,082	A	9/1978	Newell	D454,392	S	3/2002	Shapiro
4,142,227	A	2/1979	Aikens	6,361,432	B1	3/2002	Walker
D254,490	S	3/1980	Matsubara	D457,232	S	5/2002	Miura
D258,083	S	1/1981	Gammell	D457,616	S	5/2002	Yamanaka et al.
4,252,547	A	2/1981	Johnson	D461,236	S	8/2002	Chura et al.
D261,645	S	11/1981	Babb	D467,572	S	12/2002	Narita
D263,499	S	3/1982	Markowitz	D467,906	S	12/2002	Sadatsuki
4,319,898	A	3/1982	Maierhofer	D468,005	S	12/2002	Bailey
4,322,632	A	3/1982	Hart et al.	6,488,579	B2	12/2002	Larson et al.
4,335,647	A	6/1982	Timmons	6,494,599	B1	12/2002	Leen
4,336,749	A	6/1982	Barnhart et al.	D474,173	S	5/2003	Right et al.
4,382,400	A	5/1983	Stutzman	6,558,003	B2	5/2003	Mihara
4,385,550	A	5/1983	Steiner et al.	6,601,247	B2	8/2003	Shimizu
4,385,911	A	5/1983	Popeil et al.	6,634,768	B2	10/2003	McKenzie et al.
D270,559	S	9/1983	Clivio et al.	D481,822	S	11/2003	Wang
4,406,216	A	9/1983	Hott et al.	D484,114	S	12/2003	Gansterer
4,510,851	A	4/1985	Sarnosky et al.	D490,147	S	5/2004	Miura
D279,310	S	6/1985	Murphy	6,769,509	B2	8/2004	Harwood
4,550,796	A	11/1985	Tomita	D497,900	S	11/2004	Motoishi
D287,276	S	12/1986	Little, Jr.	D510,996	S	10/2005	Vladika
D287,888	S	1/1987	Castor et al.	6,979,169	B2	12/2005	Penlesky et al.
D288,007	S	1/1987	Jonas et al.	D514,221	S	* 1/2006	Vladika D23/412
D289,894	S	5/1987	Ohtsuji et al.	D519,661	S	4/2006	Young
4,671,284	A	6/1987	Wilson et al.	D521,145	S	5/2006	Craw et al.
D291,079	S	7/1987	Ohtsuji	7,066,613	B2	6/2006	Vishwamitra
4,681,024	A	7/1987	Ivey	D531,301	S	10/2006	Sinur et al.
D291,988	S	9/1987	Ishizaki	D533,537	S	12/2006	Reardon et al.
4,716,409	A	12/1987	Hart et al.	D533,956	S	12/2006	Vladika
D295,741	S	5/1988	Keitoku	D535,431	S	1/2007	Roland
4,814,961	A	3/1989	O'Brien et al.	D535,433	S	1/2007	Craw et al.
4,817,163	A	3/1989	Stastny	D539,888	S	4/2007	Tsuji
4,867,640	A	9/1989	Penlesky et al.	D540,619	S	4/2007	Kim
D308,419	S	6/1990	Mason	D541,927	S	5/2007	Yamanaka et al.
5,058,490	A	10/1991	Sodec et al.	D543,270	S	5/2007	Miura et al.
5,068,773	A	11/1991	Toth	D551,655	S	9/2007	Kim
D323,327	S	1/1992	Davidson	D555,777	S	11/2007	Aveldson et al.
D325,770	S	4/1992	Haug et al.	D556,855	S	12/2007	Mullenmeister et al.
D334,119	S	3/1993	Giugiaro	D559,948	S	1/2008	Bickler et al.
5,278,432	A	1/1994	Ignatius et al.	D559,953	S	1/2008	Bickler et al.
5,448,495	A	9/1995	Liu	D562,937	S	2/2008	Schönherr et al.
5,507,691	A	4/1996	Nishizawa	D565,716	S	4/2008	Jacak
D372,775	S	8/1996	Schuler	D565,717	S	4/2008	Jacak
D374,927	S	10/1996	Chabot	D565,722	S	4/2008	Hollingsworth et al.
5,628,558	A	5/1997	Iacono et al.	D566,257	S	4/2008	Deng
5,664,872	A	9/1997	Spearman et al.	D566,262	S	4/2008	Zakula et al.
D386,244	S	11/1997	Caron et al.	D567,352	S	4/2008	Hollingsworth et al.
D387,859	S	12/1997	Ukai	D567,353	S	4/2008	Hollingsworth et al.
D390,757	S	2/1998	Wold et al.	D567,354	S	4/2008	Jacak et al.
5,734,131	A	3/1998	Sakamoto	D567,355	S	4/2008	Zakula et al.
D394,101	S	5/1998	Hayashi et al.	D567,597	S	4/2008	Shamoon
D394,863	S	6/1998	Saer	D567,931	S	4/2008	Hollingsworth et al.
D403,787	S	1/1999	Van Belle	D567,932	S	4/2008	Hollingsworth et al.
				D567,933	S	4/2008	Hollingsworth et al.
				D568,460	S	5/2008	Jacak et al.
				D569,492	S	5/2008	Zakula et al.
				D570,465	S	6/2008	Miyake et al.

(56)

References Cited

U.S. PATENT DOCUMENTS

2013/0302153	A1	11/2013	Liu
2014/0053793	A1	2/2014	Sullivan et al.
2014/0099195	A1	4/2014	Jun
2014/0141709	A1	5/2014	Hammer
2014/0177901	A1	6/2014	Berkman et al.
2014/0183279	A1	7/2014	Hanna et al.
2014/0192513	A1	7/2014	Yim et al.
2014/0233786	A1	8/2014	Sumitani et al.
2014/0254857	A1	9/2014	Berkman et al.
2014/0268650	A1	9/2014	Tsai
2014/0360805	A1	12/2014	Berkman
2014/0364050	A1	12/2014	McIver
2015/0031282	A1	1/2015	Nagan
2015/0125292	A1	5/2015	Karst
2015/0139476	A1	5/2015	Yu

FOREIGN PATENT DOCUMENTS

JP	04-49381	2/1992
JP	05-119784	5/1993
JP	05-230853	9/1993
JP	2001-157642	6/2001
JP	2004-301438	10/2004
JP	2008-164206	7/2008
JP	2008-190766	8/2008

* cited by examiner

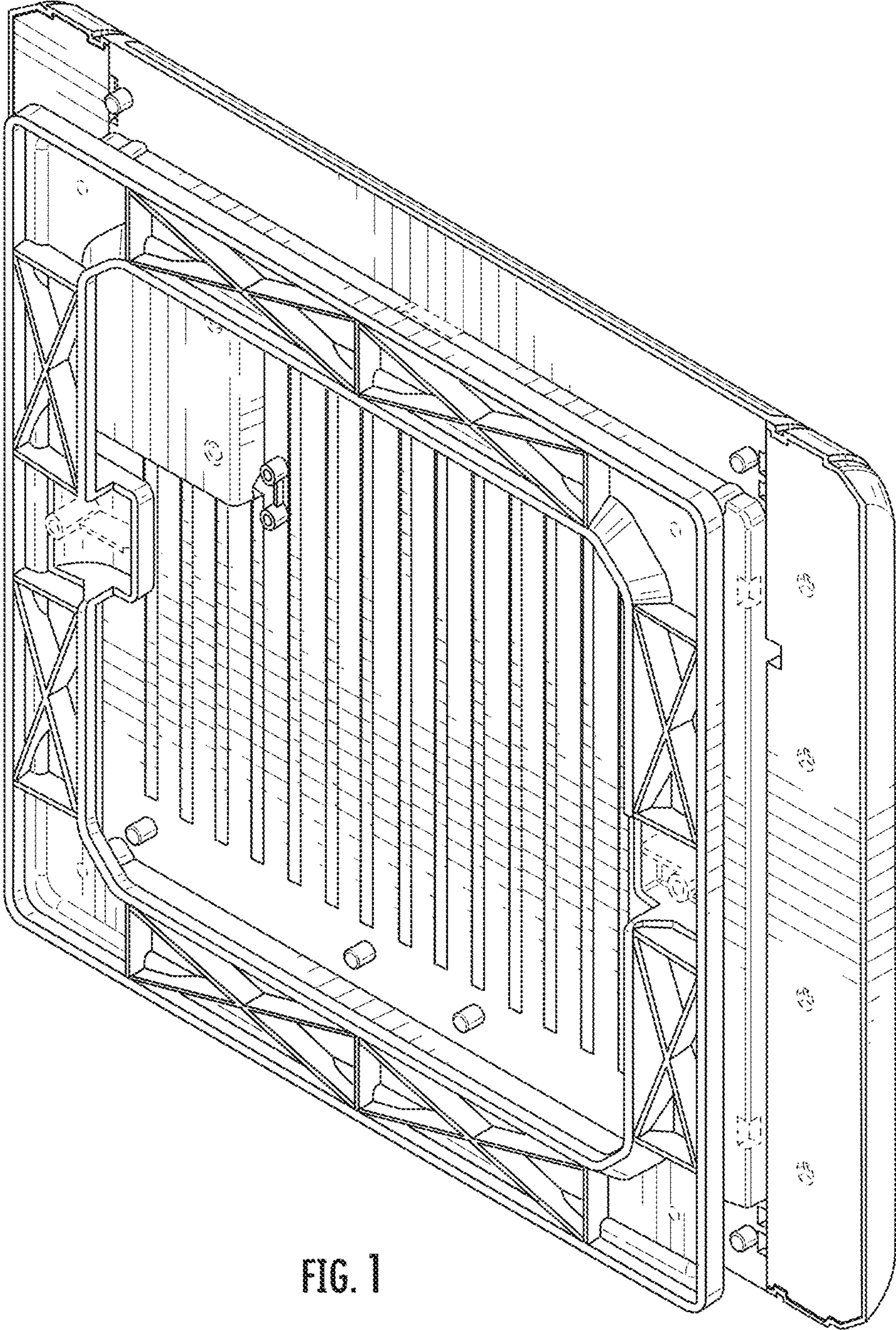


FIG. 1

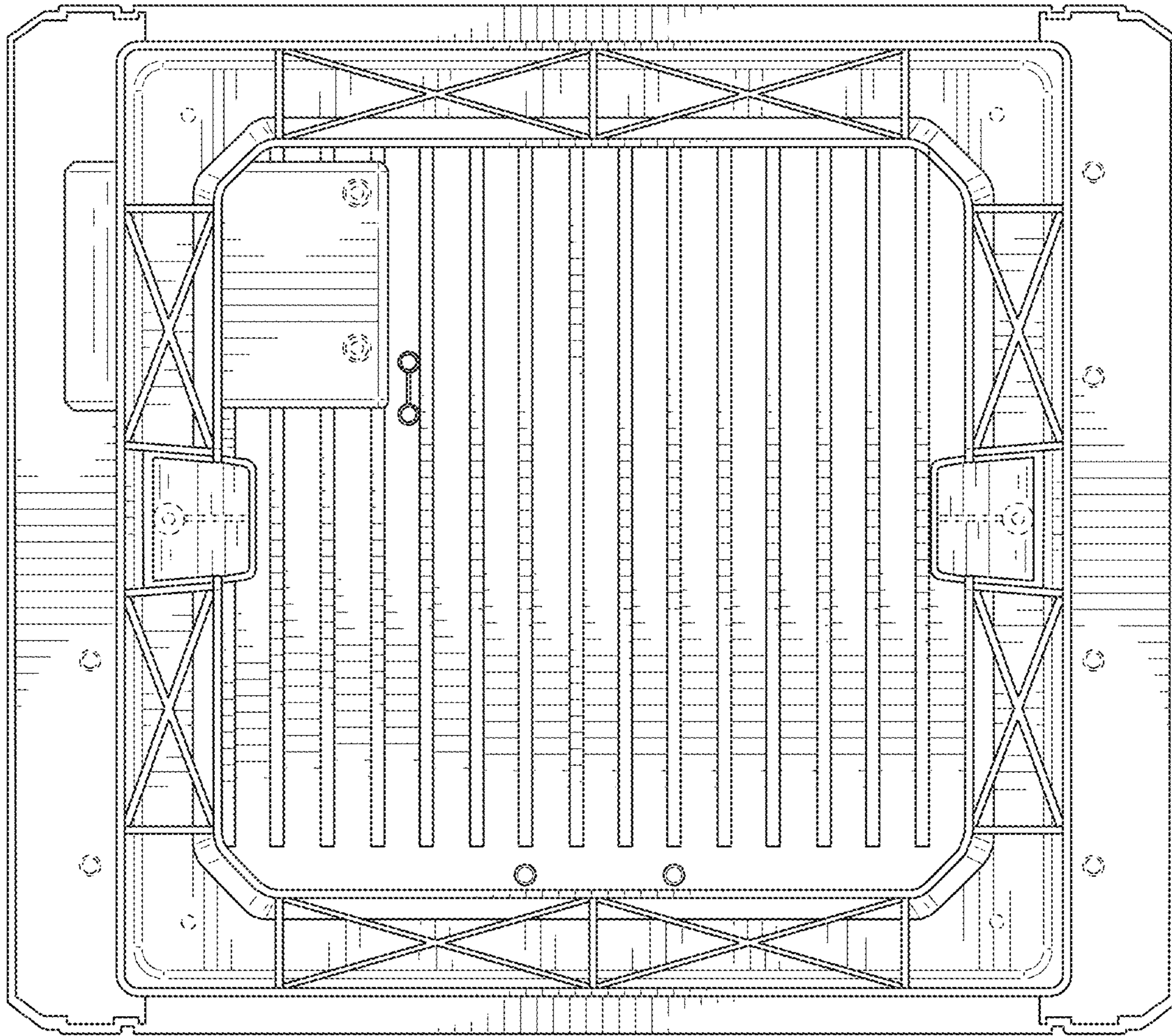


FIG. 2

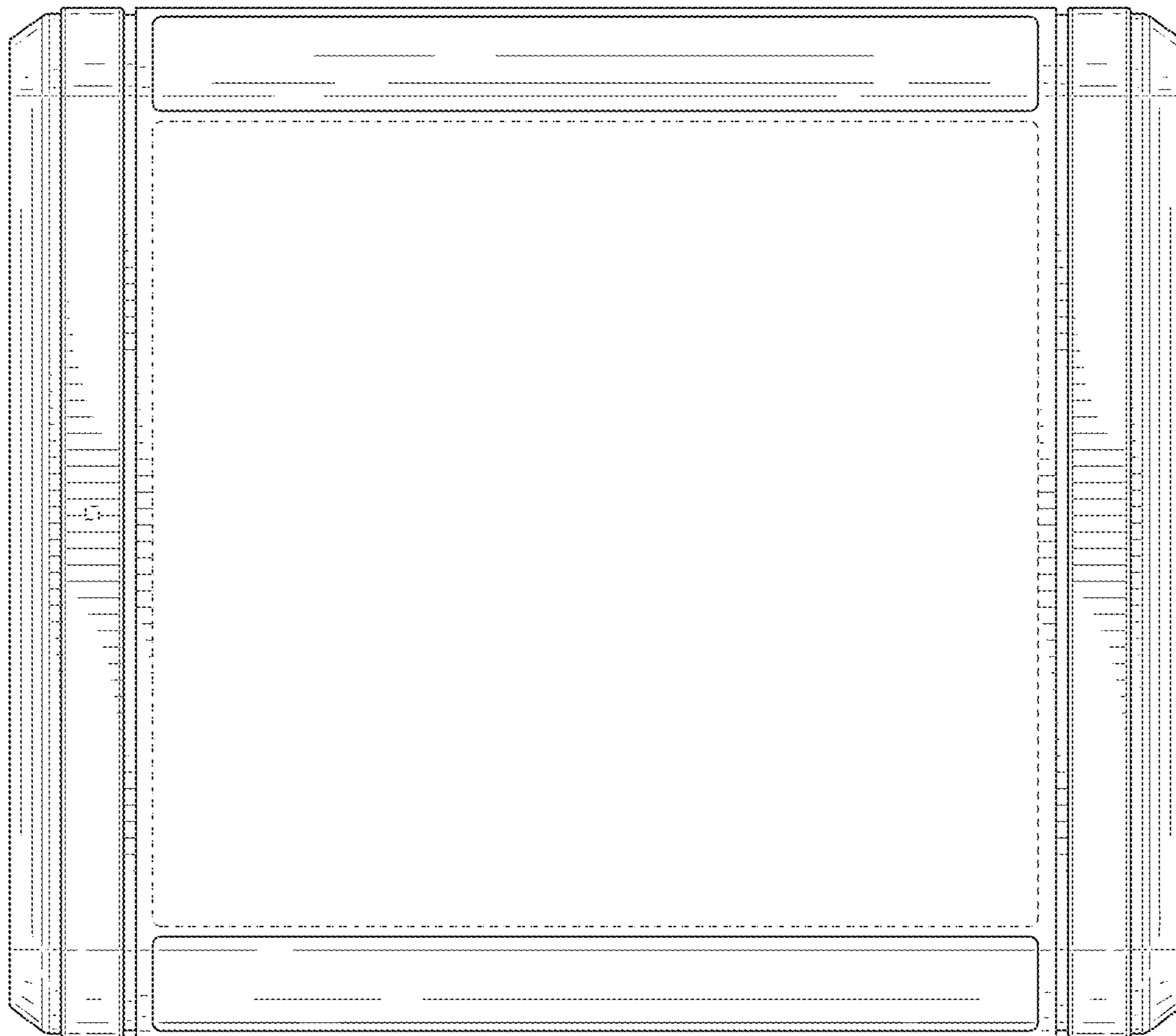


FIG. 3

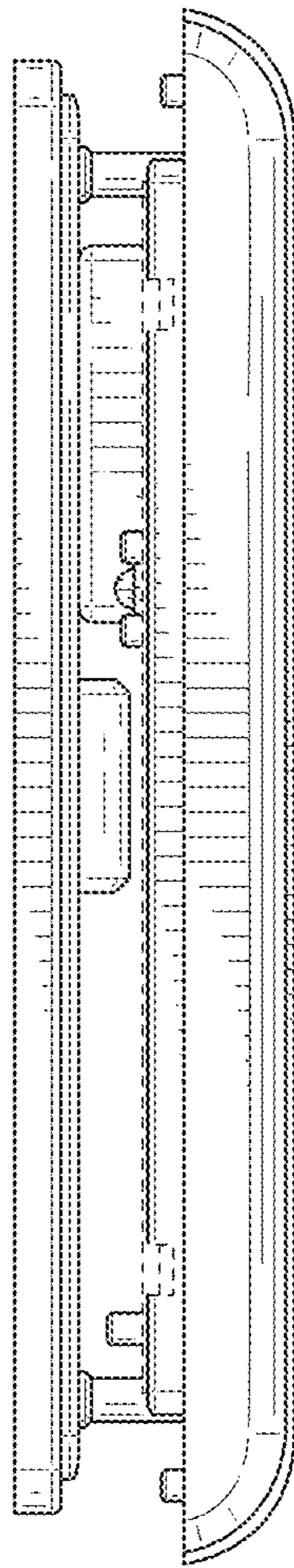


FIG. 4

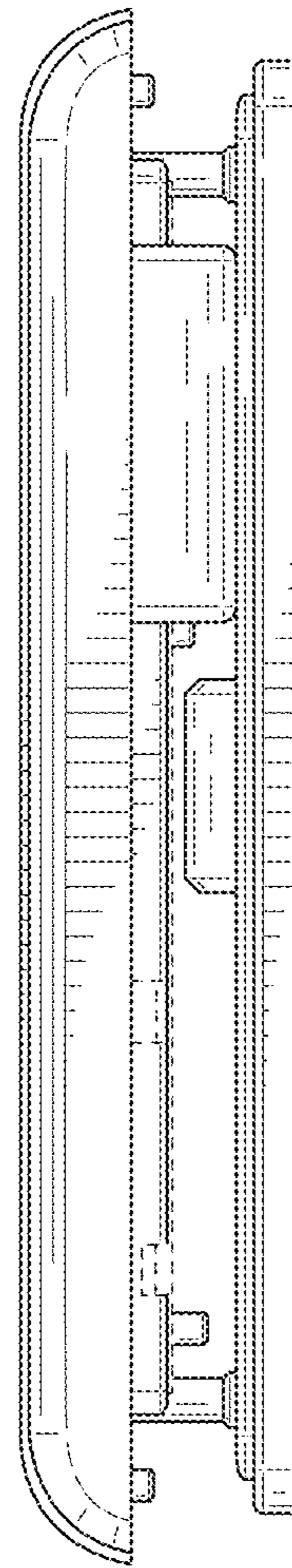


FIG. 5

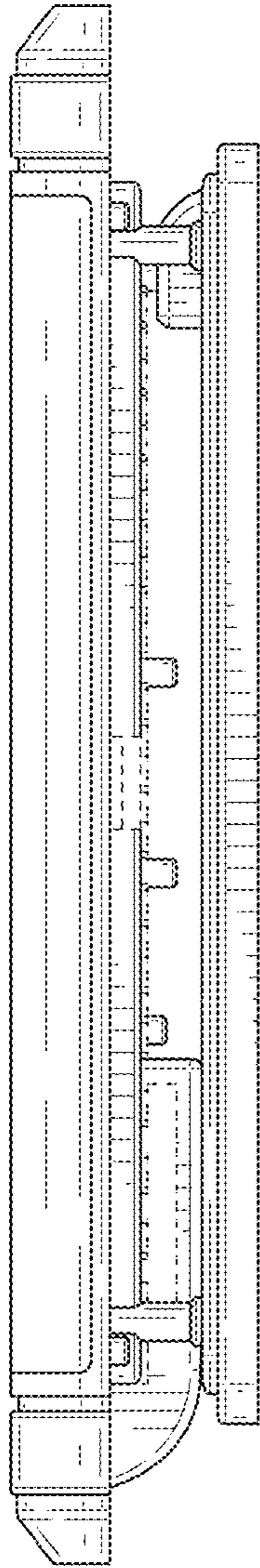


FIG. 6

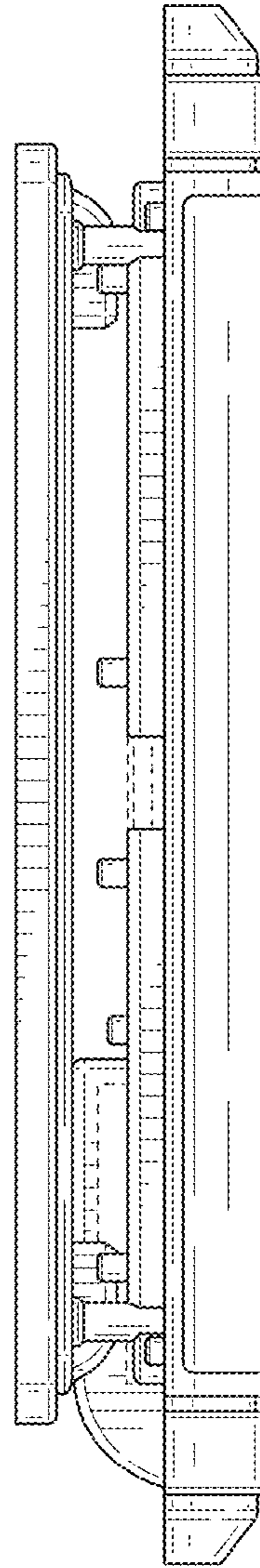


FIG. 7