



US00D932610S

(12) **United States Design Patent** (10) **Patent No.:** **US D932,610 S**
Pozzi et al. (45) **Date of Patent:** **** Oct. 5, 2021**

(54) **ROOF VENT**

FOREIGN PATENT DOCUMENTS

(71) Applicant: **FIAMMA S.p.A.**, Cardano al Campo (IT)

CA 160517 * 1/2015

(72) Inventors: **John David Pozzi**, Zürich (CH);
Charles Pozzi, Milan (IT)

OTHER PUBLICATIONS

(73) Assignee: **Fiamma, S.p.A.**, Cardano al Campo (IT)

Duraflo 6050BL Roof Vent, announced Mar. 1, 2001[online], [site visited Feb. 1, 2021]. Available from internet, URL:<<https://www.amazon.com/Duraflo-6050BL-Roof-Square-Black/dp/B004Y75XWA>> (Year: 2001).*

(**) Term: **15 Years**

(Continued)

(21) Appl. No.: **29/679,479**

Primary Examiner — Barbara Fox

(22) Filed: **Feb. 6, 2019**

Assistant Examiner — Jamaal Rasheed

(30) **Foreign Application Priority Data**

(74) *Attorney, Agent, or Firm* — The Sladkus Law Group

Aug. 7, 2018 (EM) 005566031-0002

(51) **LOC (13) Cl.** **23-04**

(52) **U.S. Cl.**

USPC **D23/393**

(58) **Field of Classification Search**

USPC D23/373, 376, 387, 393; D25/199;
D17/20; 454/27, 136, 182, 275, 353,
454/367, 366, 359, 368

CPC .. F24F 13/08; F24F 13/10; F24F 13/20; F24F
7/02; E04D 13/147

See application file for complete search history.

(56) **References Cited**

U.S. PATENT DOCUMENTS

- 3,520,093 A * 7/1970 Painter E04D 13/0325
52/200
- D277,027 S * 1/1985 Waltz D23/373
- D329,694 S * 9/1992 Wimberly D23/373
- D431,291 S * 9/2000 McKee D23/393
- 6,612,924 B1 * 9/2003 Mantyla E04D 13/17
454/366

(Continued)

(57) **CLAIM**

The ornamental design for a roof vent, as shown and described.

DESCRIPTION

FIG. 1 is a front perspective view of a roof vent according to the present invention.

FIG. 2 is a bottom perspective view of the roof vent illustrated in FIG. 1.

FIG. 3 is a front elevation view of the roof vent illustrated in FIG. 1.

FIG. 4 is a rear elevation view of the roof vent illustrated in FIG. 1.

FIG. 5 is a side view of the roof vent illustrated in FIG. 1.

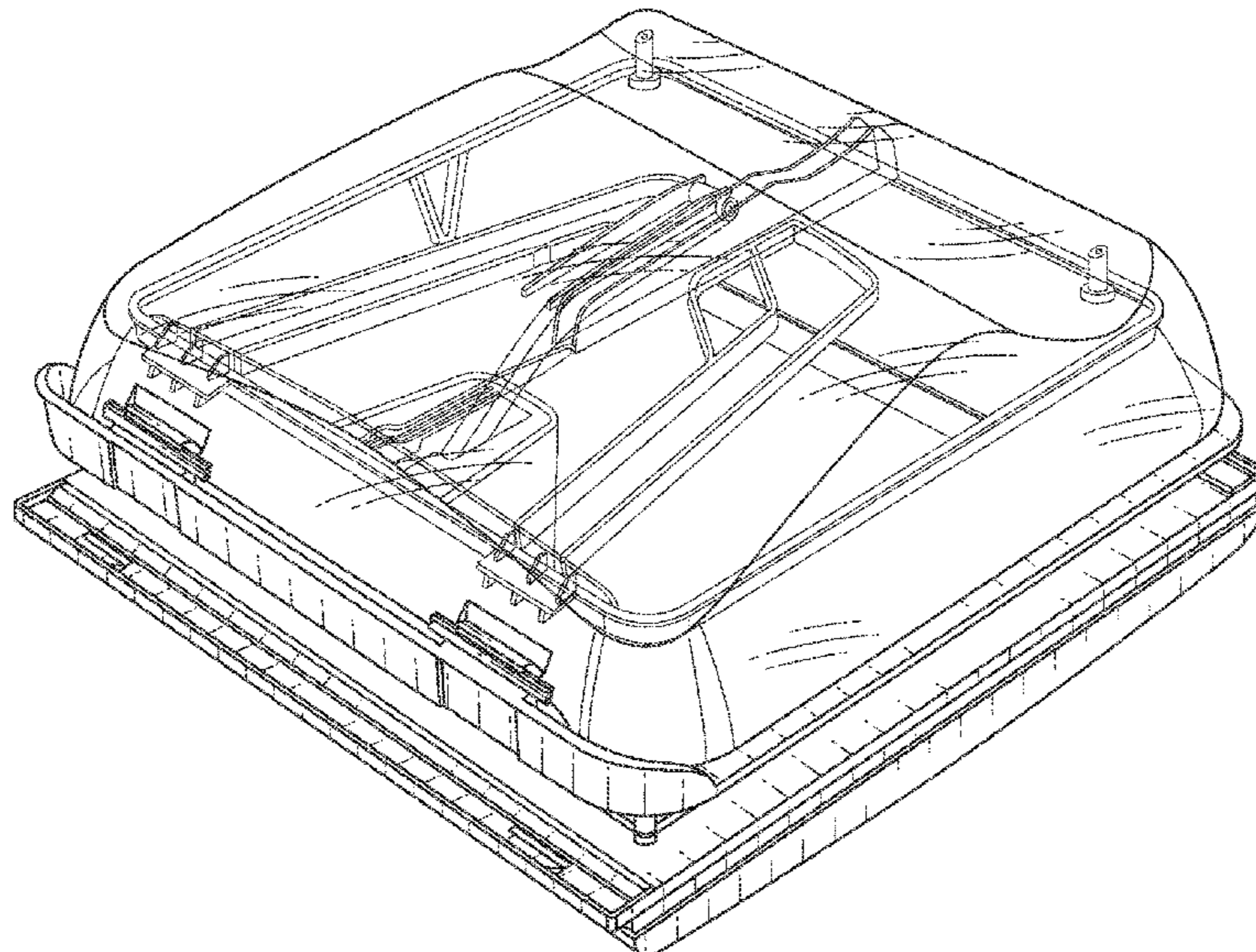
FIG. 6 is another side elevation view of the roof vent illustrated in FIG. 1.

FIG. 7 is top plan view of the roof vent illustrated in FIG. 1; and,

FIG. 8 is a bottom plan view of the roof vent illustrated in FIG. 1.

The broken lines shown in FIGS. 3-8 are for the purpose of illustrating environmental structure and form no part of the claimed design.

1 Claim, 6 Drawing Sheets



(56)

References Cited

U.S. PATENT DOCUMENTS

6,767,281 B2 * 7/2004 McKee F24F 7/02
454/366
7,731,574 B2 * 6/2010 Milks B60J 7/1642
454/94
D629,093 S * 12/2010 Polston D23/373
8,181,403 B1 * 5/2012 Polston F24F 13/082
52/198
D762,835 S * 8/2016 Stocker D23/373
D782,941 S * 4/2017 Allard D12/106
D799,659 S * 10/2017 Deusing D23/373
D804,628 S * 12/2017 Fiser D23/373
D832,987 S * 11/2018 Bergin D23/325
D841,139 S * 2/2019 Bergin D23/325
D850,653 S * 6/2019 Kopp D25/48.7
D862,668 S * 10/2019 Moseley D23/325
D873,984 S * 1/2020 Fiser D23/373
2003/0054754 A1 * 3/2003 McKee F24F 7/02
454/367
2003/0153262 A1 * 8/2003 Mantyla F24F 7/02
454/367
2010/0257798 A1 * 10/2010 Ward F24F 7/02
52/301
2013/0078903 A1 * 3/2013 Mantyla F24F 13/20
454/367

2014/0256243 A1 * 9/2014 Wood B60H 1/245
454/136
2015/0167992 A1 * 6/2015 Bourque F24F 7/02
454/365
2015/0352924 A1 * 12/2015 Allard B60H 1/00364
454/94
2017/0146253 A1 * 5/2017 Mantyla F24F 7/02
2018/0112410 A1 * 4/2018 DeGraan F24F 7/02
2019/0285294 A1 * 9/2019 Bourque E04D 13/17

OTHER PUBLICATIONS

Heng's 14" RV Roof Vent Kit, announced Mar. 31, 2015[online], [site visited Feb. 1, 2021]. Available from internet, URL:<<https://www.amazon.com/TRAILER-UNIVERSAL-71111-C-GARNISH-INCLUDED/dp/B00VGQ7VFO>> (Year: 2015).*

1966 Viscount Ambassador—Fiamma Turbo 28 Hatch Install, posted Oct. 7, 2017 [online], [retrieved Feb. 1, 2021]. Retrieved from internet, <https://www.youtube.com/watch?v=TC3DeGzPWck>(on or around timestamp 12:01 into the video).*

Fiamma Turbo Vent Crystal Polar Crank Roof Hood Control, announced Sep. 5, 2018[online], [site visited Feb. 1, 2021]. Available from internet, URL:<<https://www.amazon.com/Fiamma-Crystal-Control-Thermostat-Dekalin/dp/B079DTC1Z2>> (Year: 2021).*

* cited by examiner

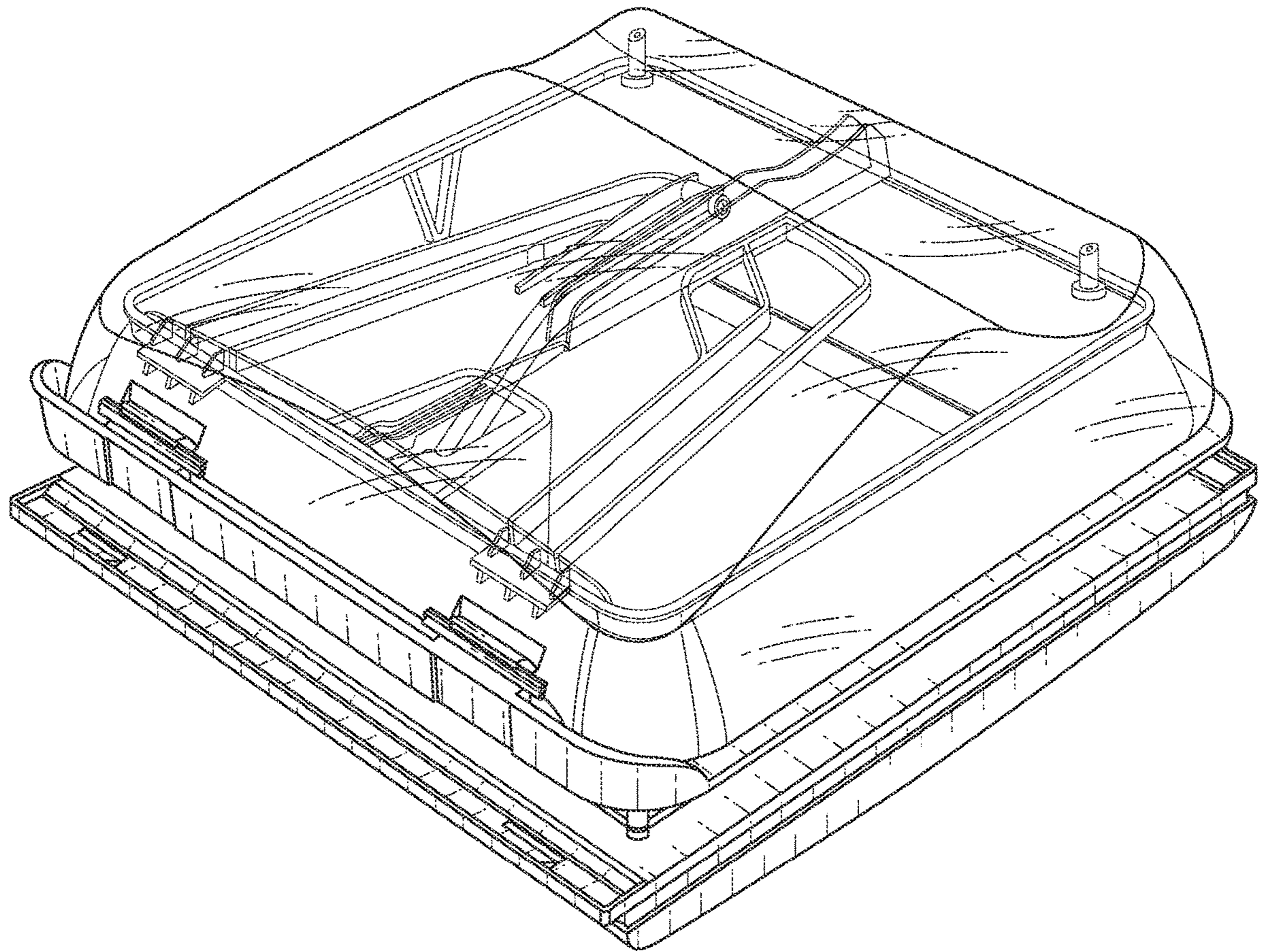


FIG. 1

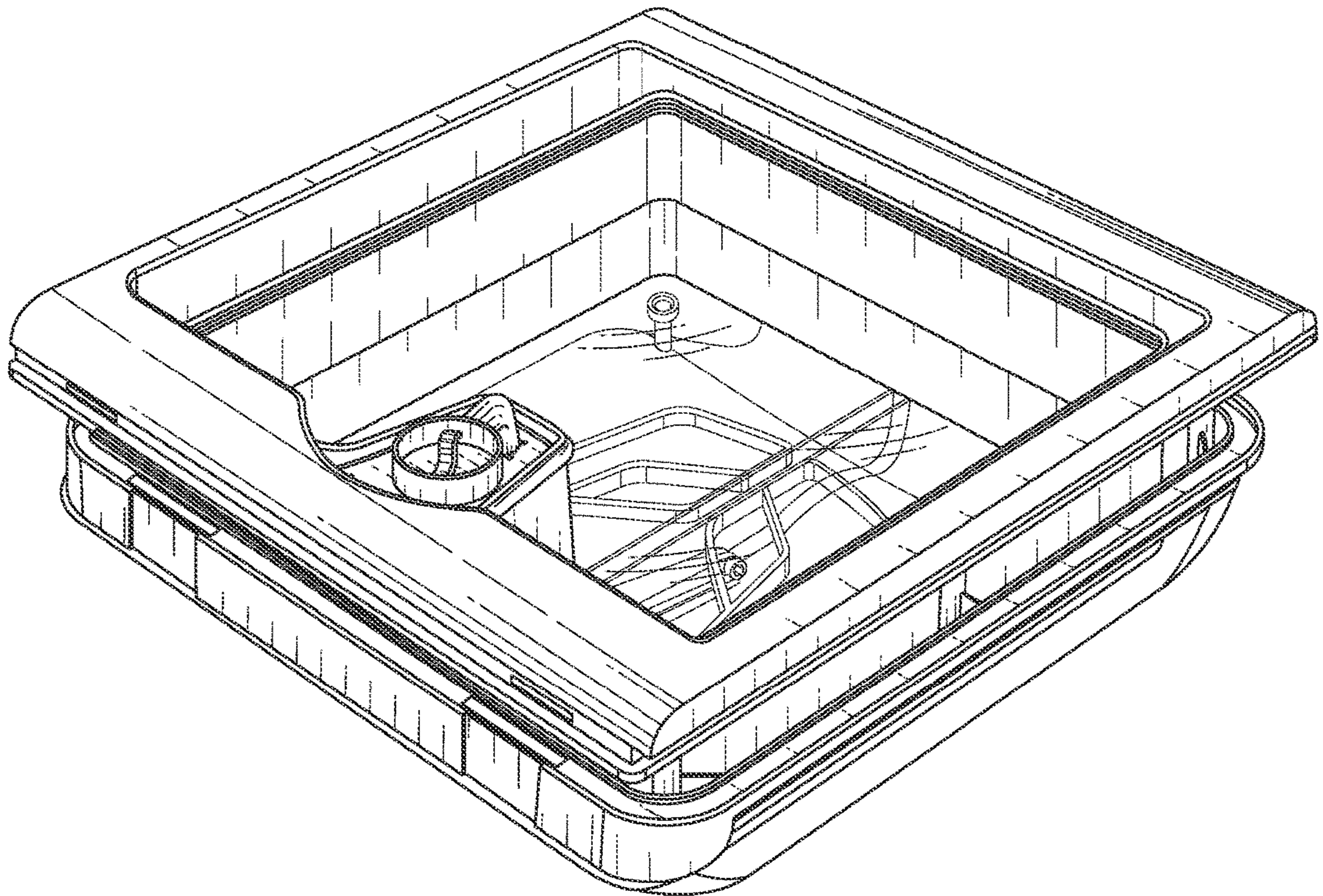


FIG. 2

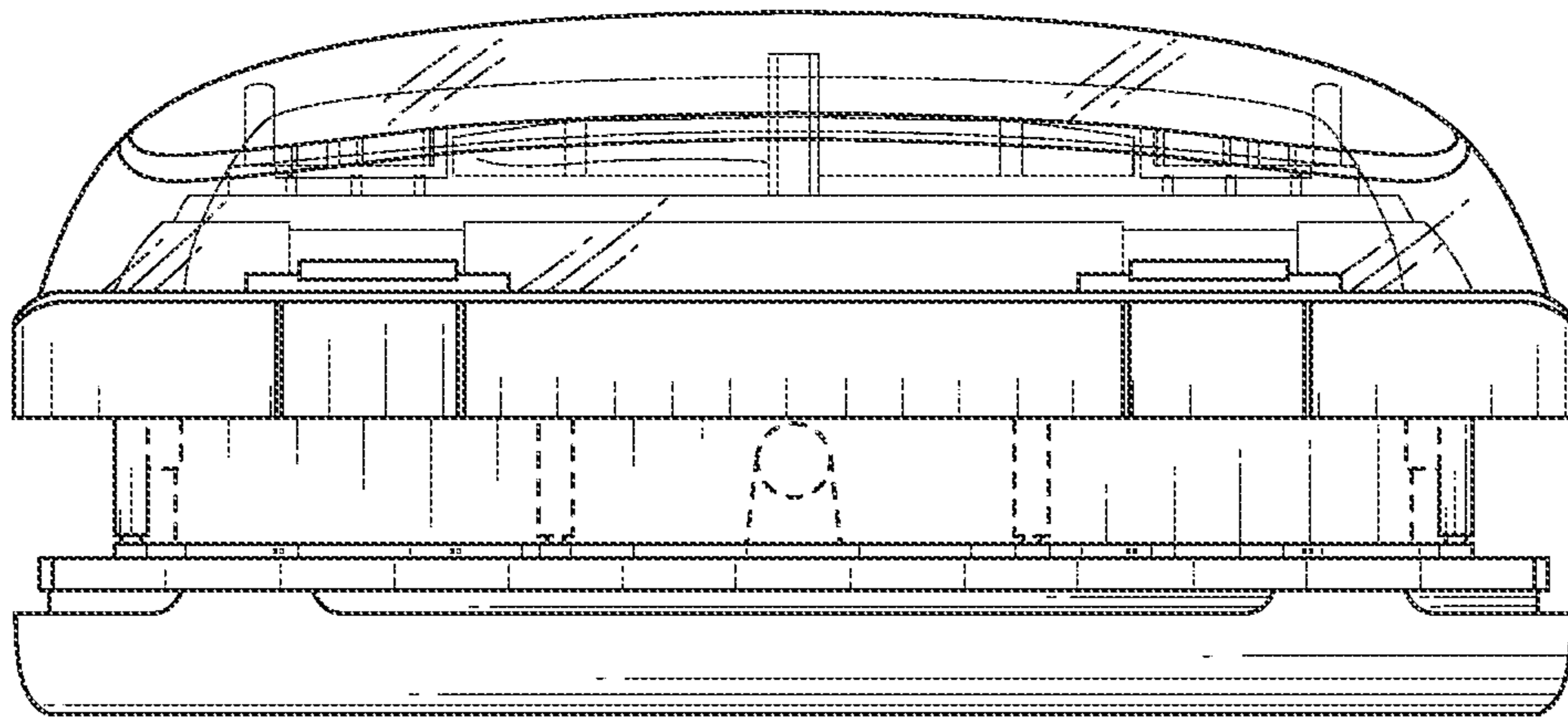


FIG. 3

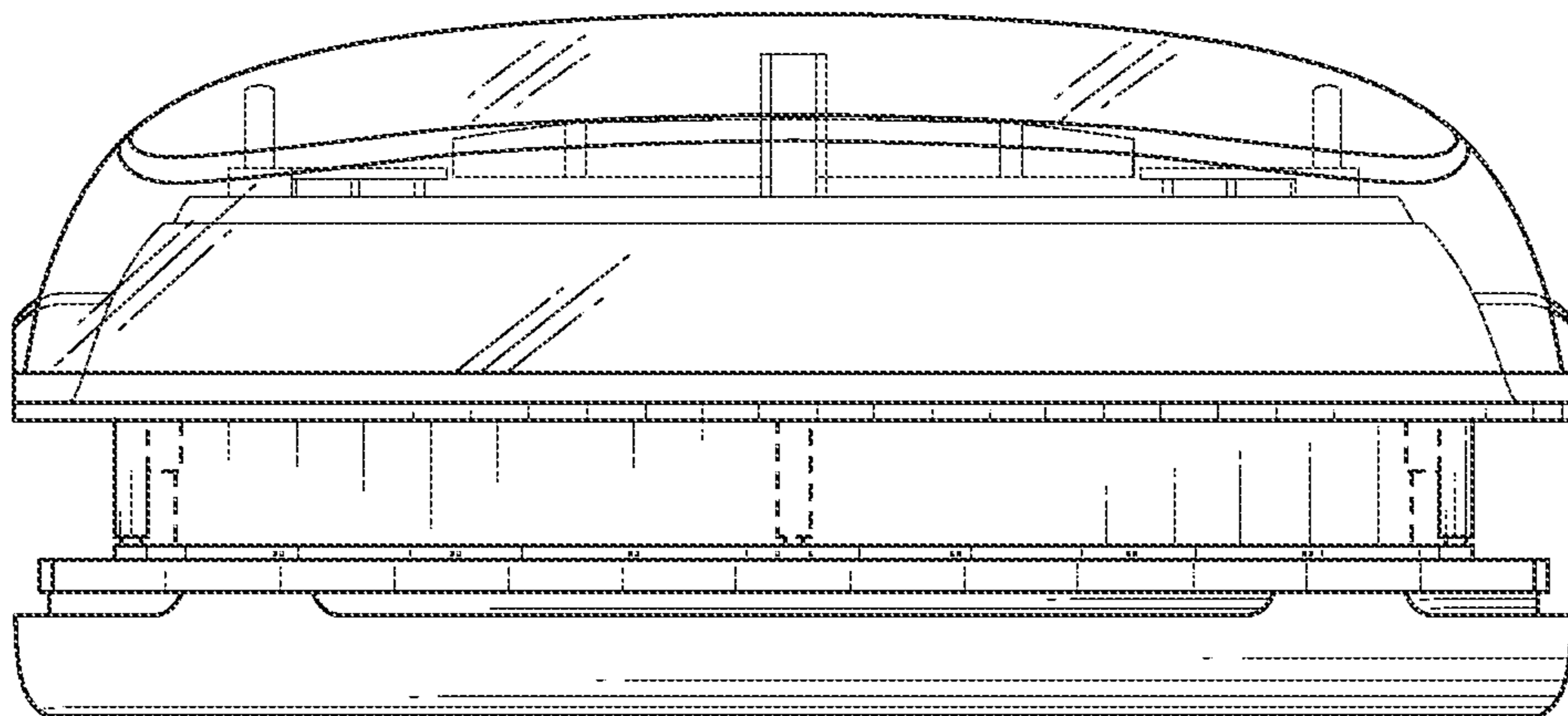


FIG. 4

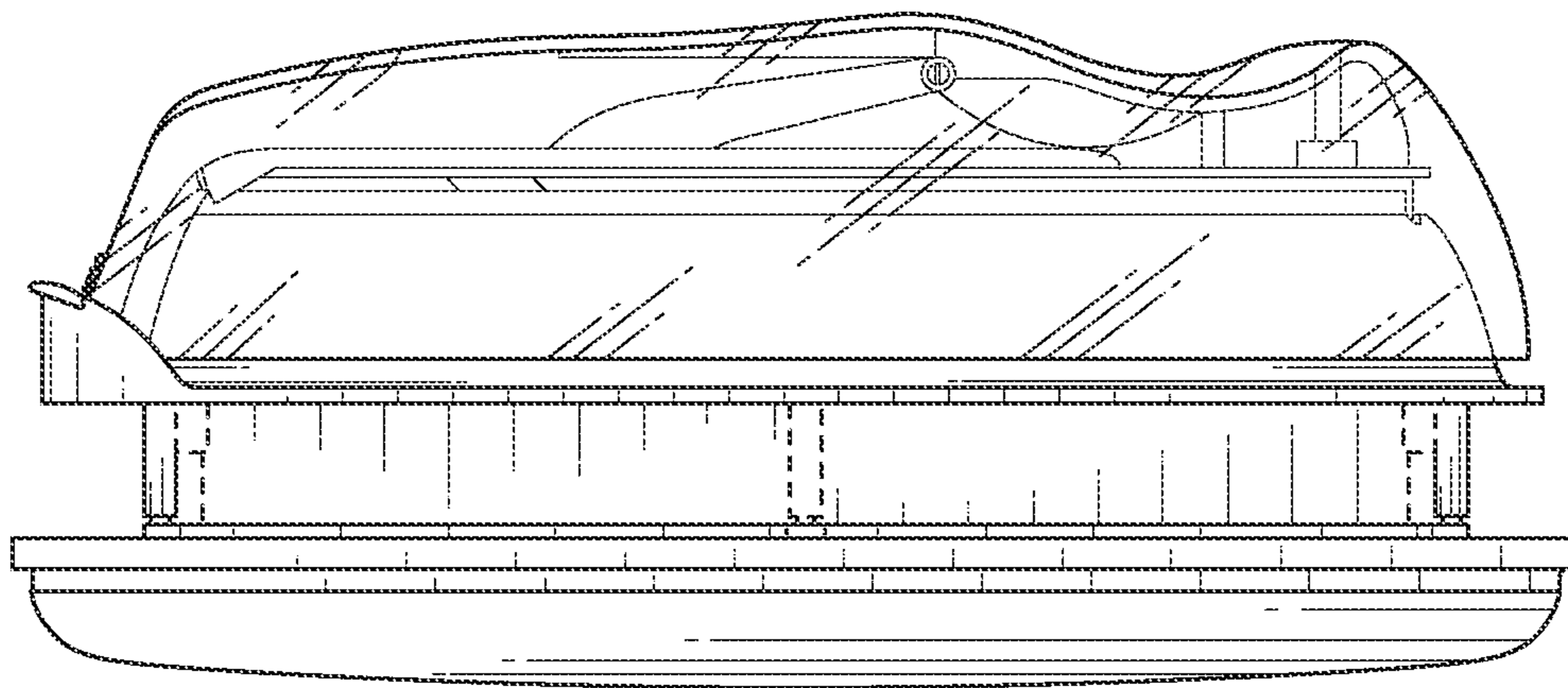


FIG. 5

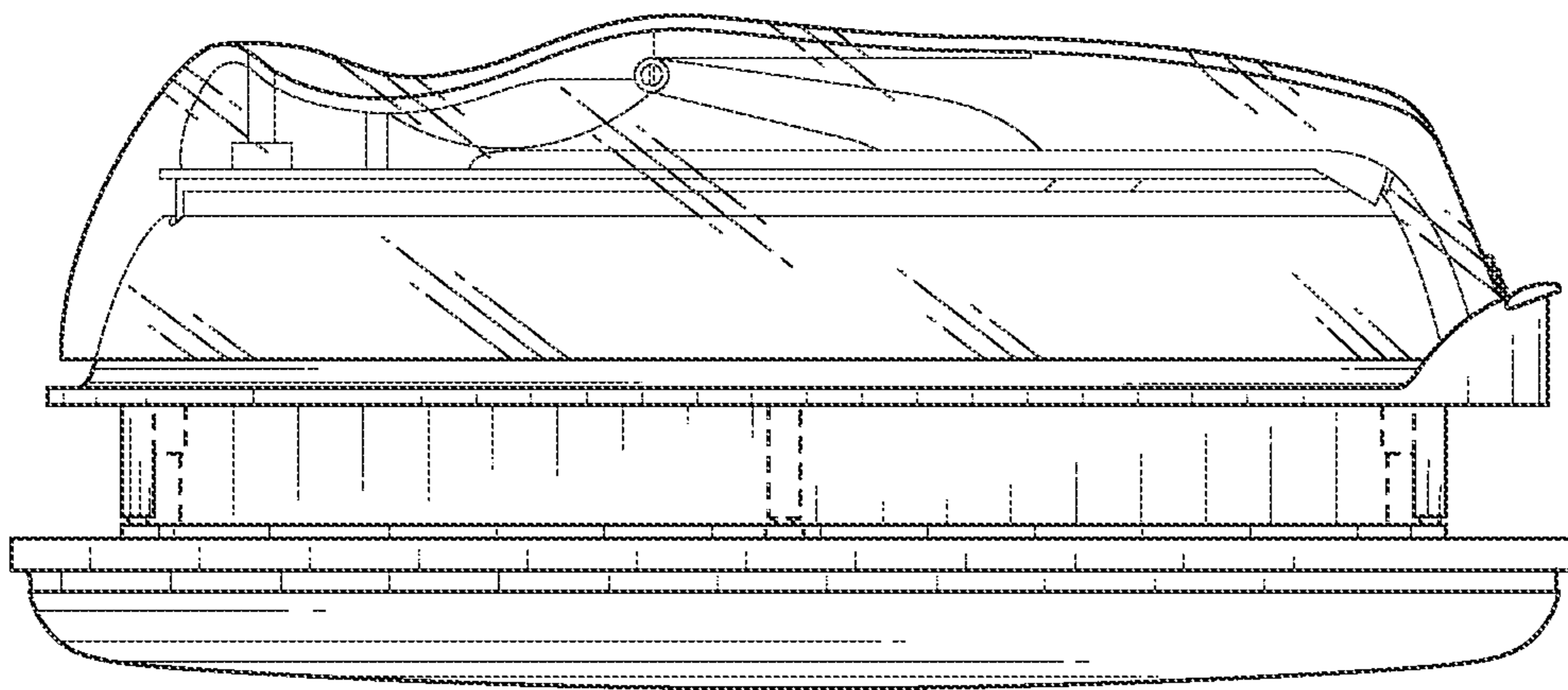


FIG. 6

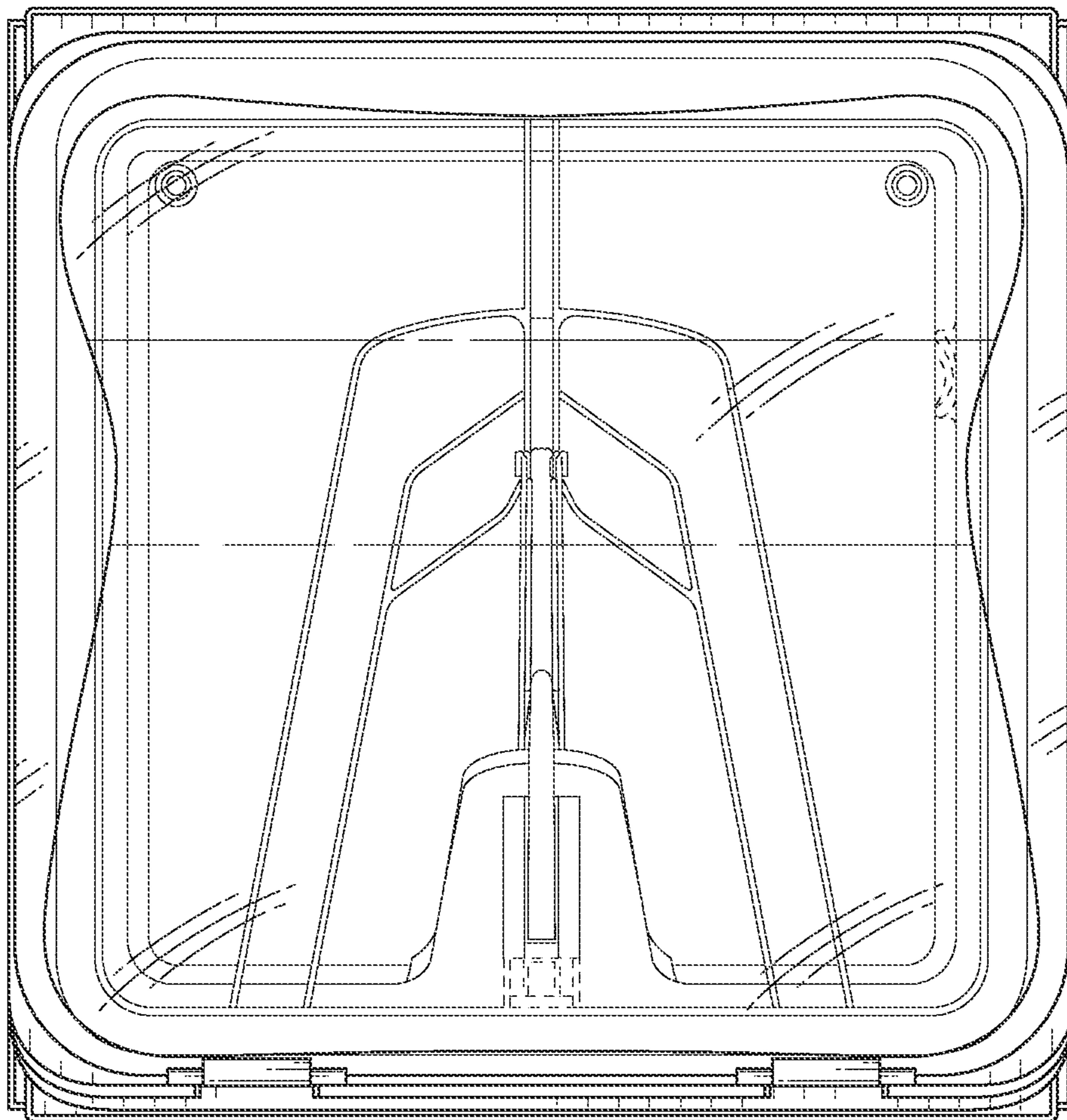


FIG. 7

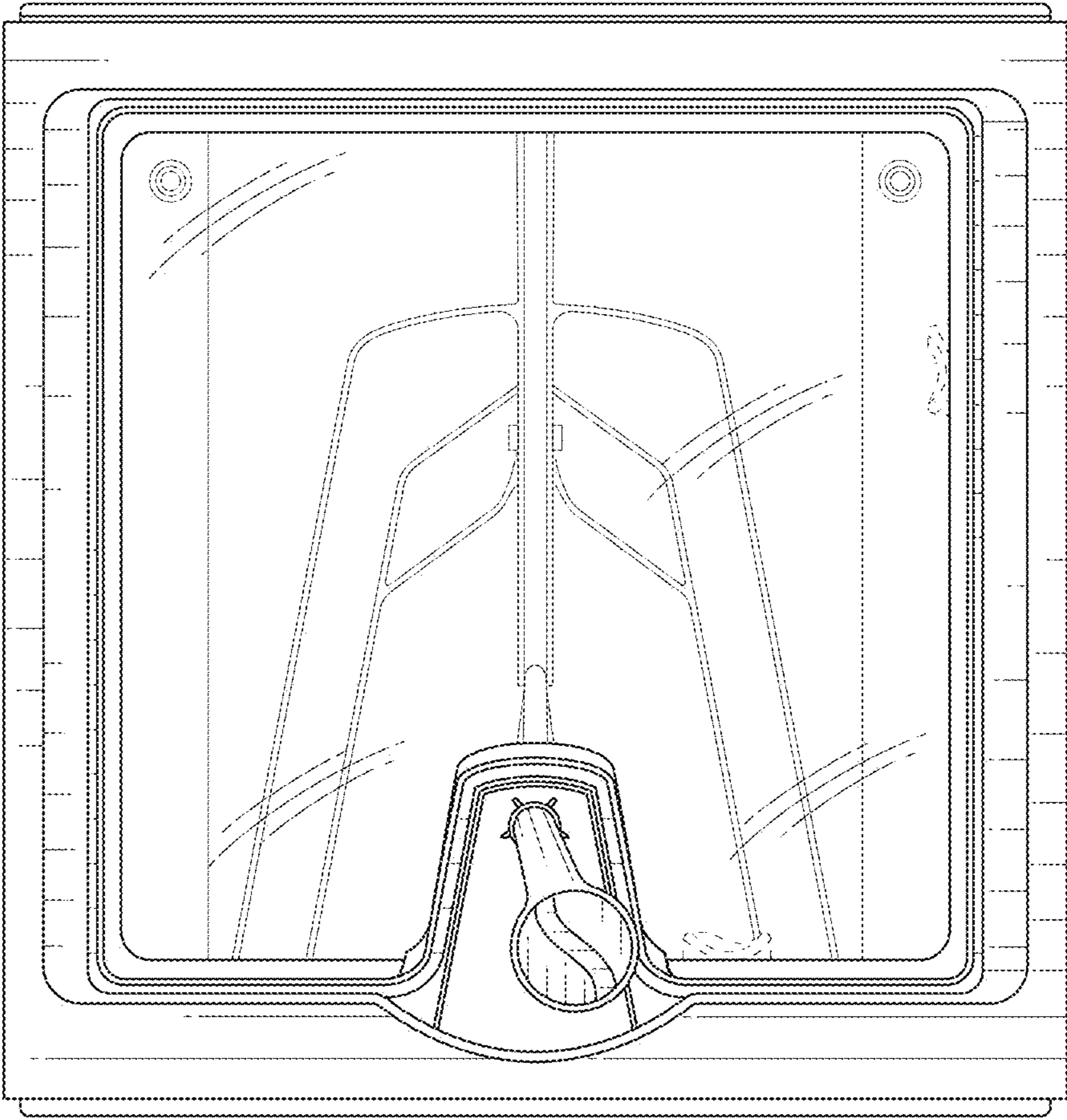


FIG. 8