



US00D932608S

(12) **United States Design Patent** (10) **Patent No.:** **US D932,608 S**
Vidmar (45) **Date of Patent:** **** Oct. 5, 2021**

(54) **CEILING FAN**
(71) Applicant: **Kichler Lighting LLC**, Cleveland, OH (US)
(72) Inventor: **Gary Vidmar**, Macedonia, OH (US)
(73) Assignee: **KICHLER LIGHTING LLC**, Cleveland, OH (US)
(**) Term: **15 Years**

(21) Appl. No.: **29/718,024**
(22) Filed: **Dec. 20, 2019**
(51) **LOC (13) Cl.** **23-04**
(52) **U.S. Cl.**
USPC **D23/377**
(58) **Field of Classification Search**
USPC D23/370, 377, 379, 385, 411, 413;
D26/59
CPC F04D 25/088; F04D 29/38; F04D 29/384;
F04D 29/386; F21V 33/0096
See application file for complete search history.

(56) **References Cited**
U.S. PATENT DOCUMENTS
D346,211 S * 4/1994 Bucher D23/377
D451,526 S * 12/2001 Lee D15/148
6,364,638 B1 * 4/2002 Liu F04D 25/105
416/5
D528,865 S * 9/2006 Barton D7/554.2
D590,489 S * 4/2009 Bucher D23/377
D627,615 S * 11/2010 Kushner D8/42
D774,176 S * 12/2016 Wang D23/385

D791,244 S * 7/2017 Sabin D21/323
D800,291 S * 10/2017 Wang D23/377
D823,511 S * 7/2018 Wang D26/54
D831,718 S * 10/2018 Zhu D15/148
D833,597 S * 11/2018 Hidalgo D23/377
2008/0226449 A1* 9/2008 Vilella F04D 25/088
416/87
2013/0084180 A1* 4/2013 Conley F04D 29/364
416/1
2013/0156582 A1* 6/2013 Wang F04D 25/088
416/170 R
2017/0370445 A1* 12/2017 Okumura F16H 1/28
2018/0128277 A1* 5/2018 Chia F04D 29/362

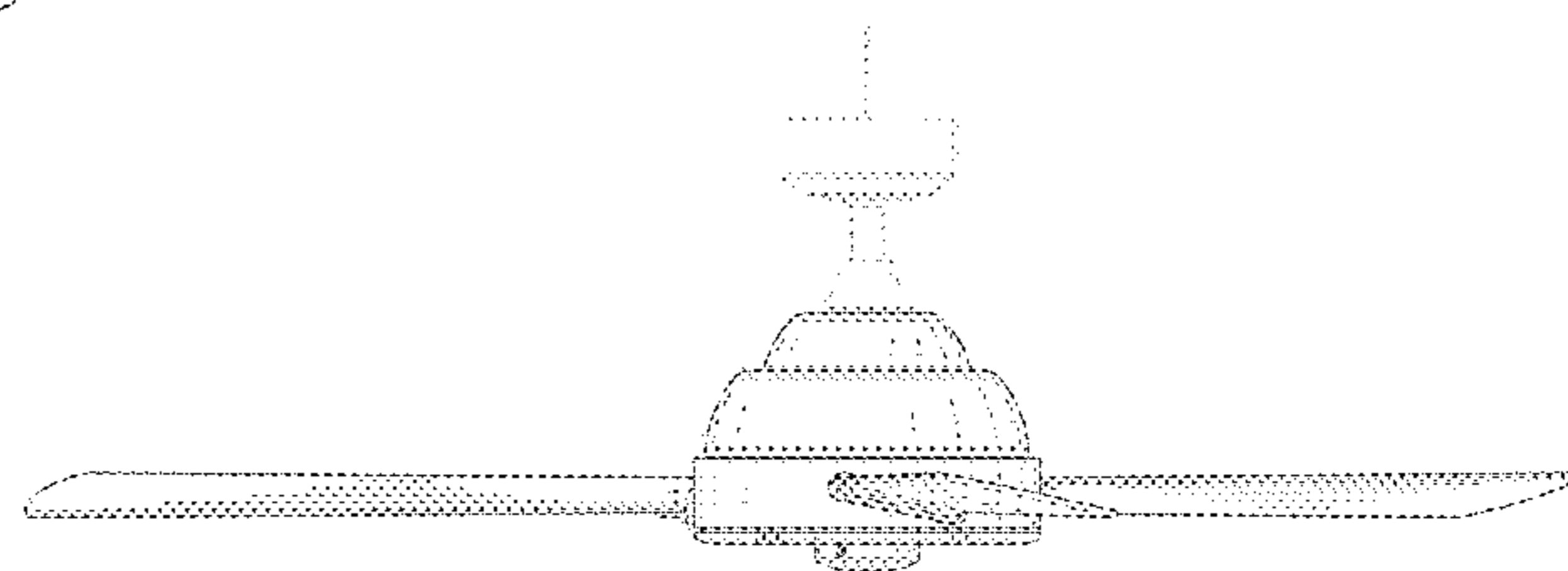
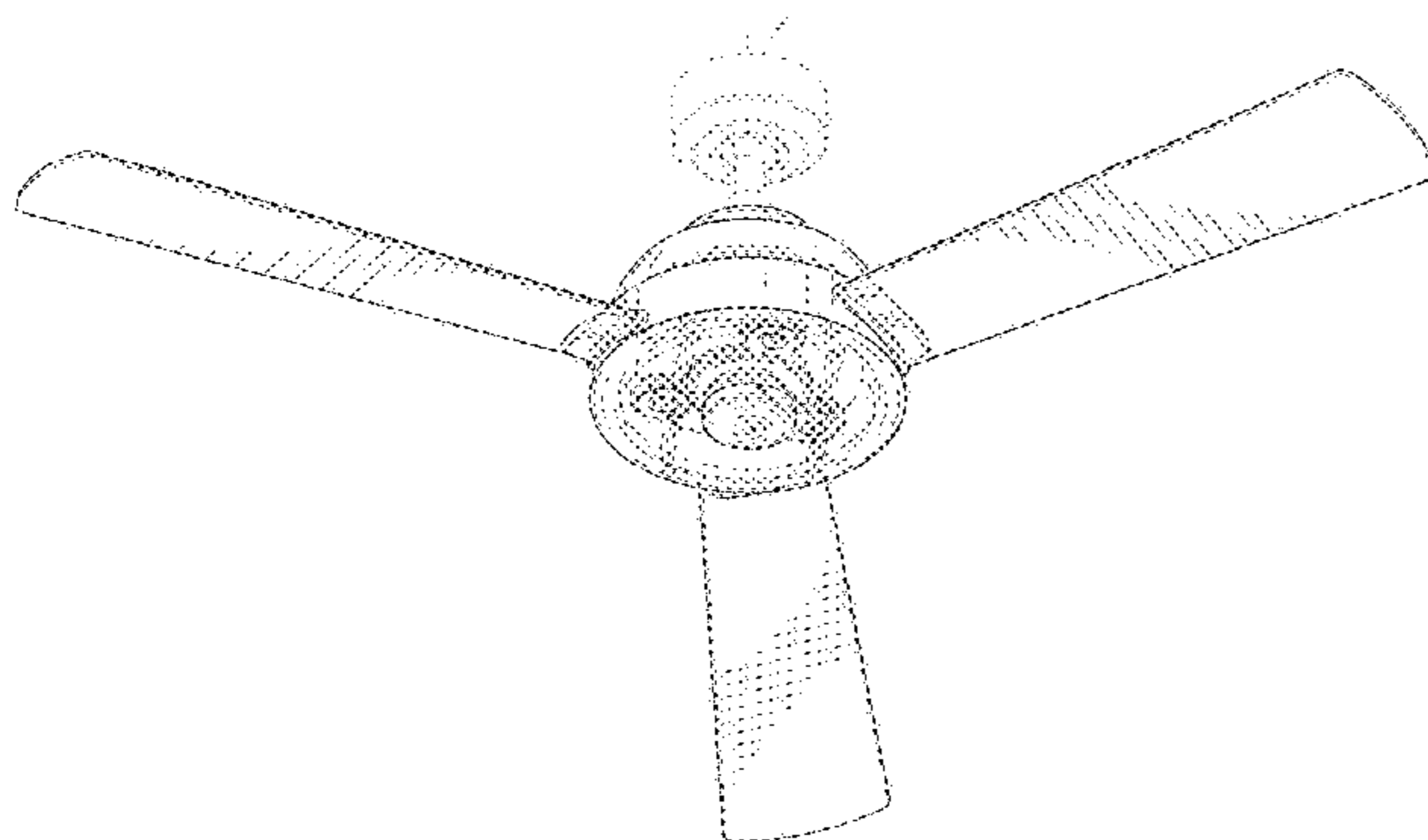
* cited by examiner

Primary Examiner — Sharon S Oum
(74) *Attorney, Agent, or Firm* — Kirk W. Rudolph

(57) **CLAIM**
The ornamental design for a ceiling fan, as shown and described.

DESCRIPTION
FIG. 1 is a perspective view;
FIG. 2 is a perspective view;
FIG. 3 is a top view;
FIG. 4 is a bottom view;
FIG. 5 is a front view;
FIG. 6 is a back view;
FIG. 7 is a side view; and,
FIG. 8 is a side view.
The broken-line disclosure represents portions of the ceiling fan in which the claimed design is embodied, but which form no part of the claimed design.

1 Claim, 8 Drawing Sheets



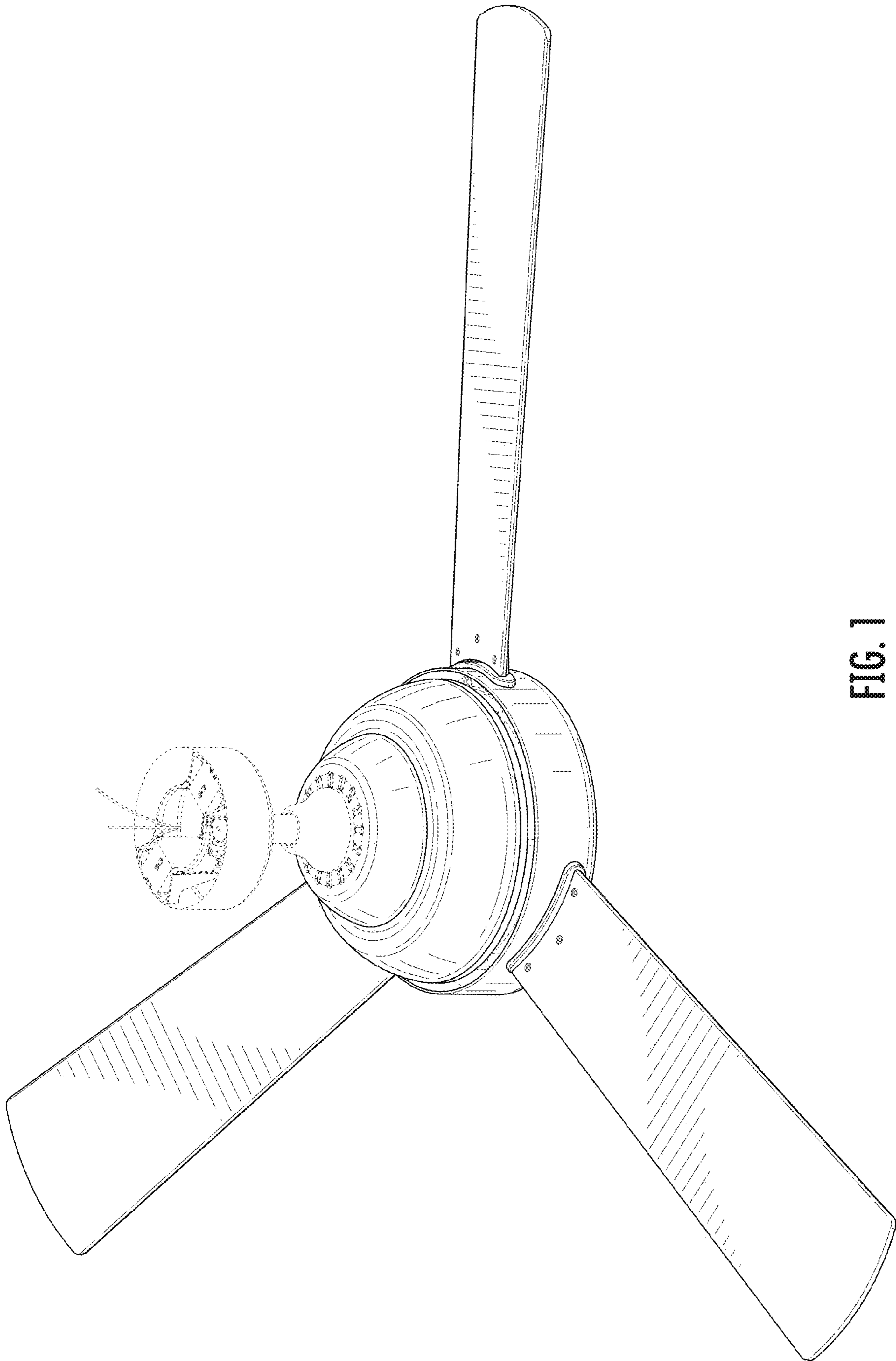


FIG. 1

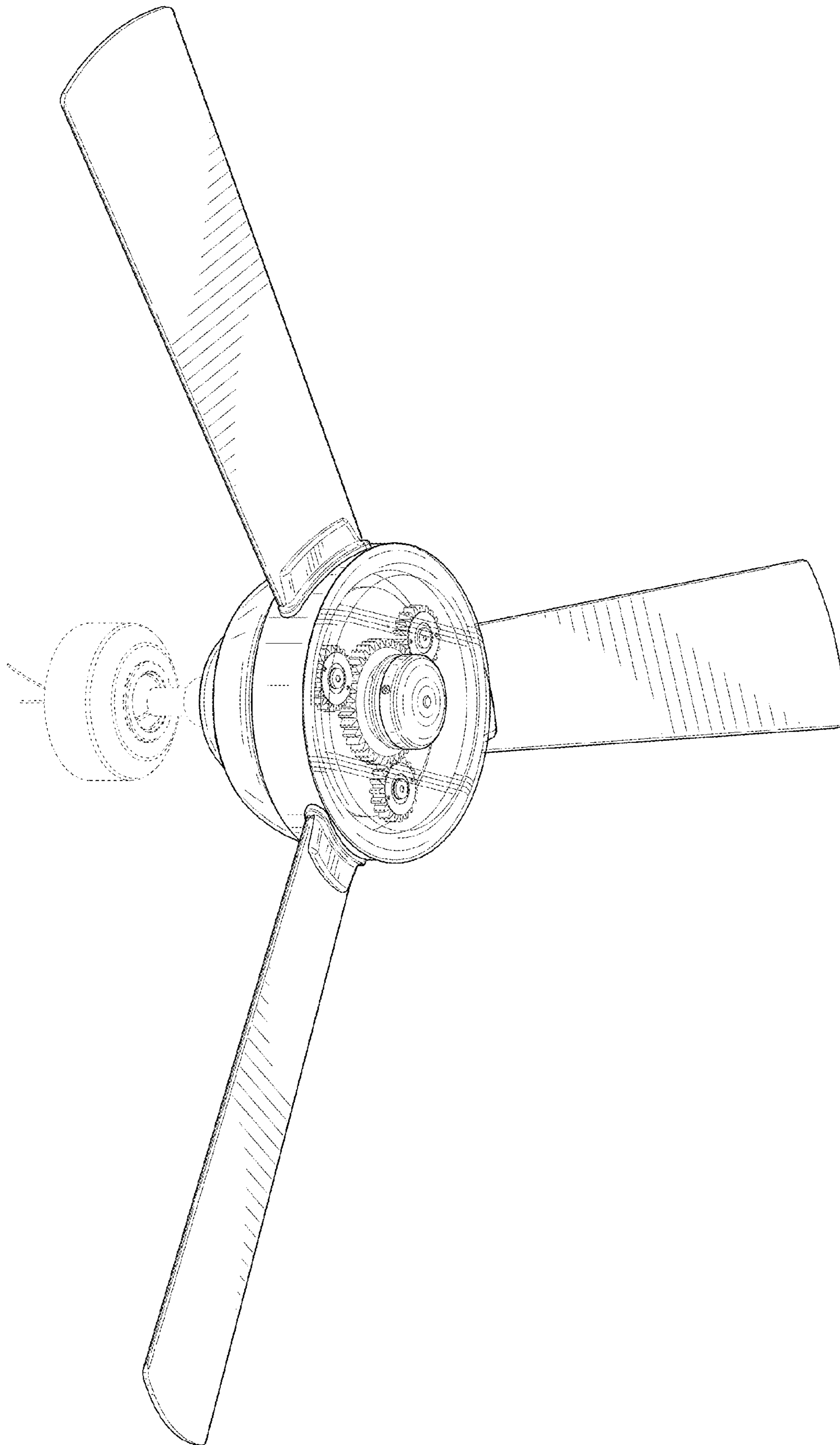


FIG. 2

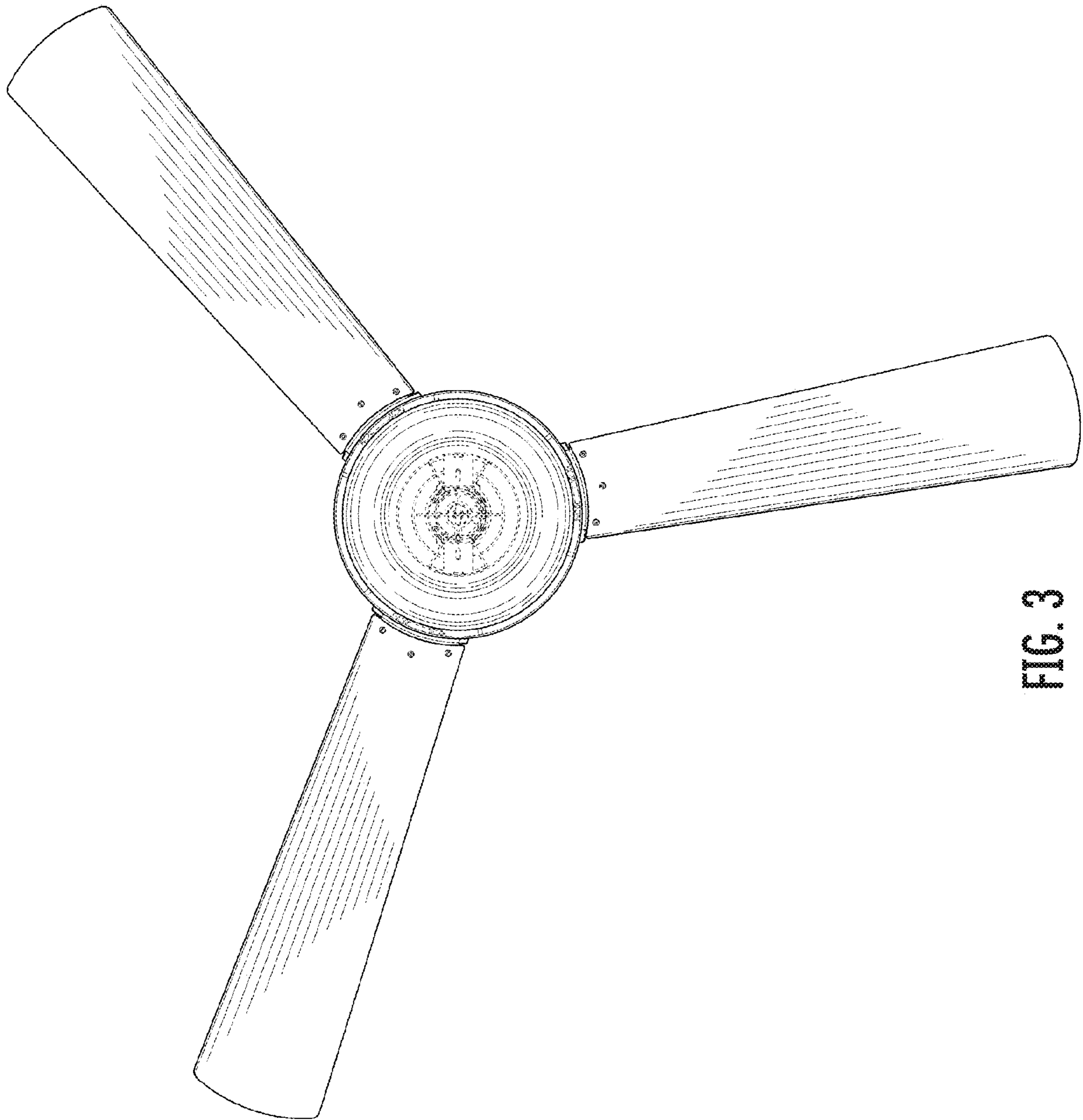


FIG. 3

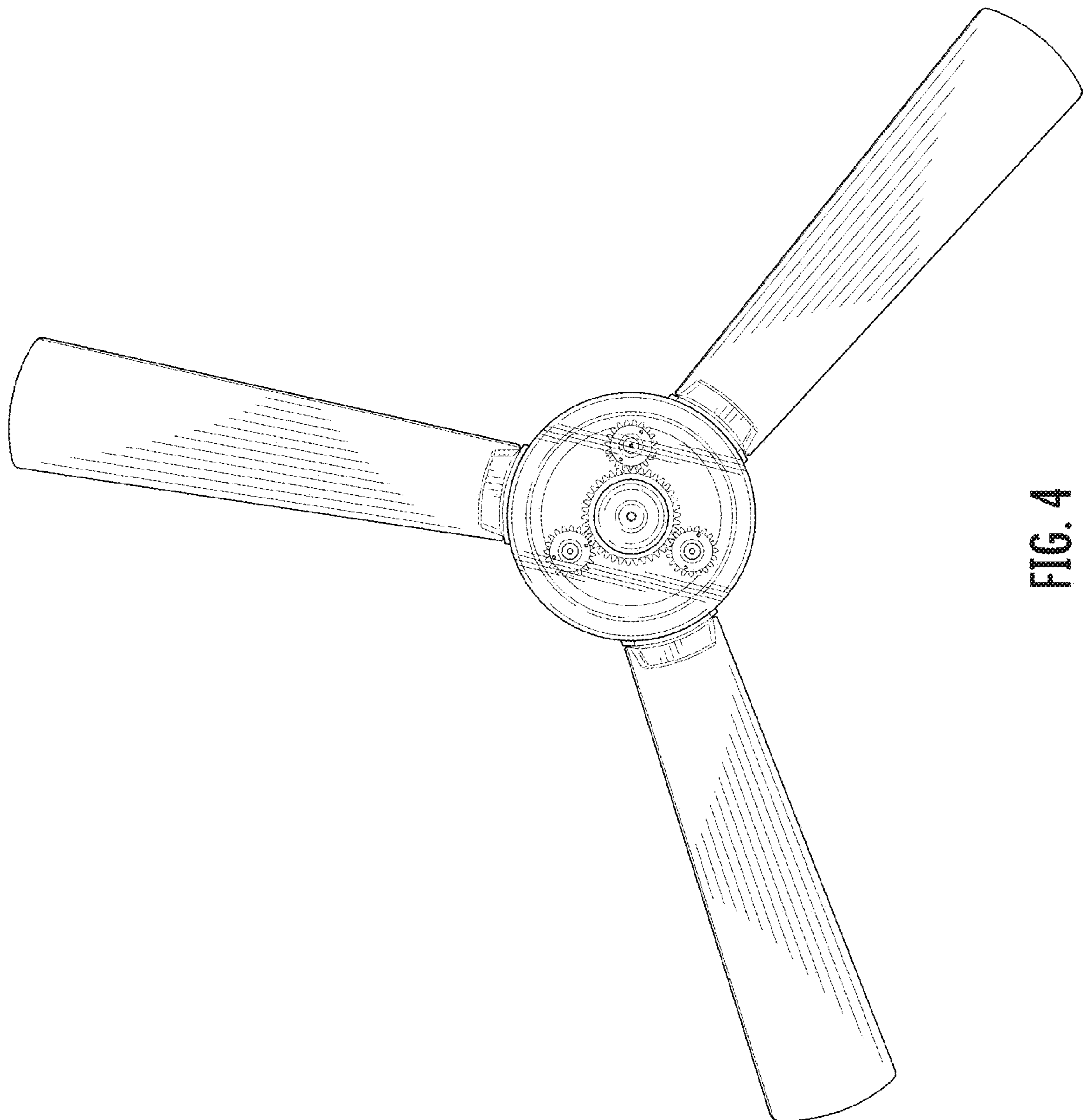


FIG. 4

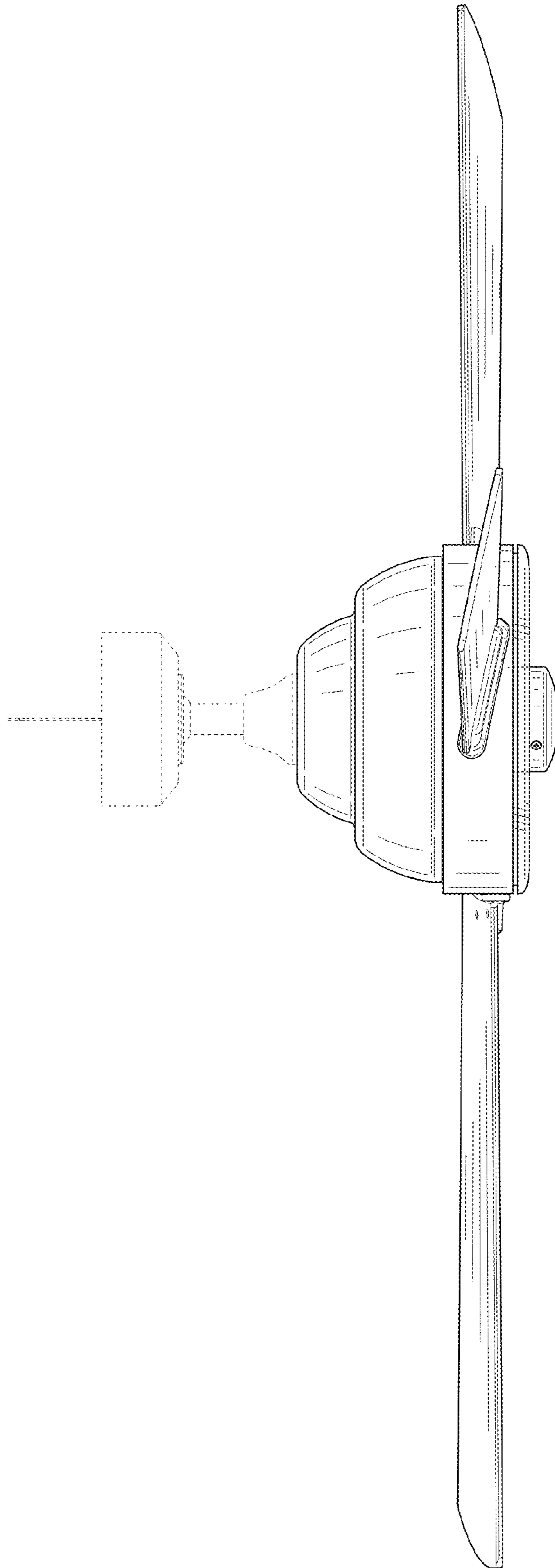


FIG. 5

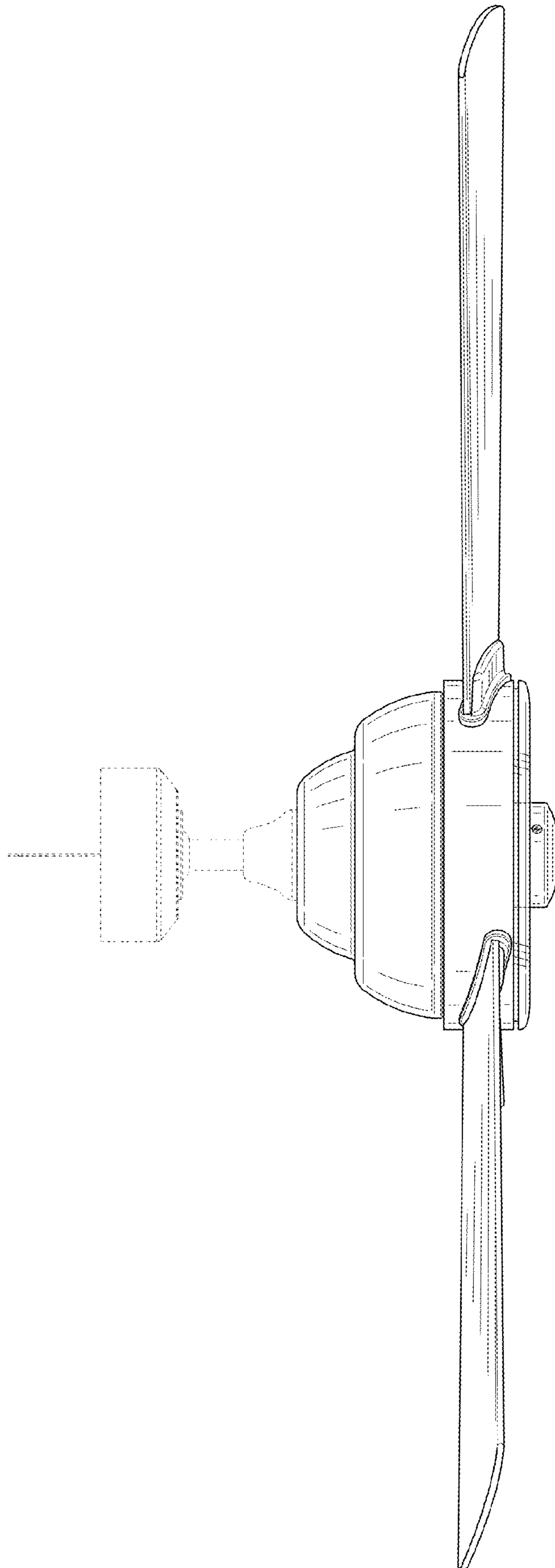


FIG. 6

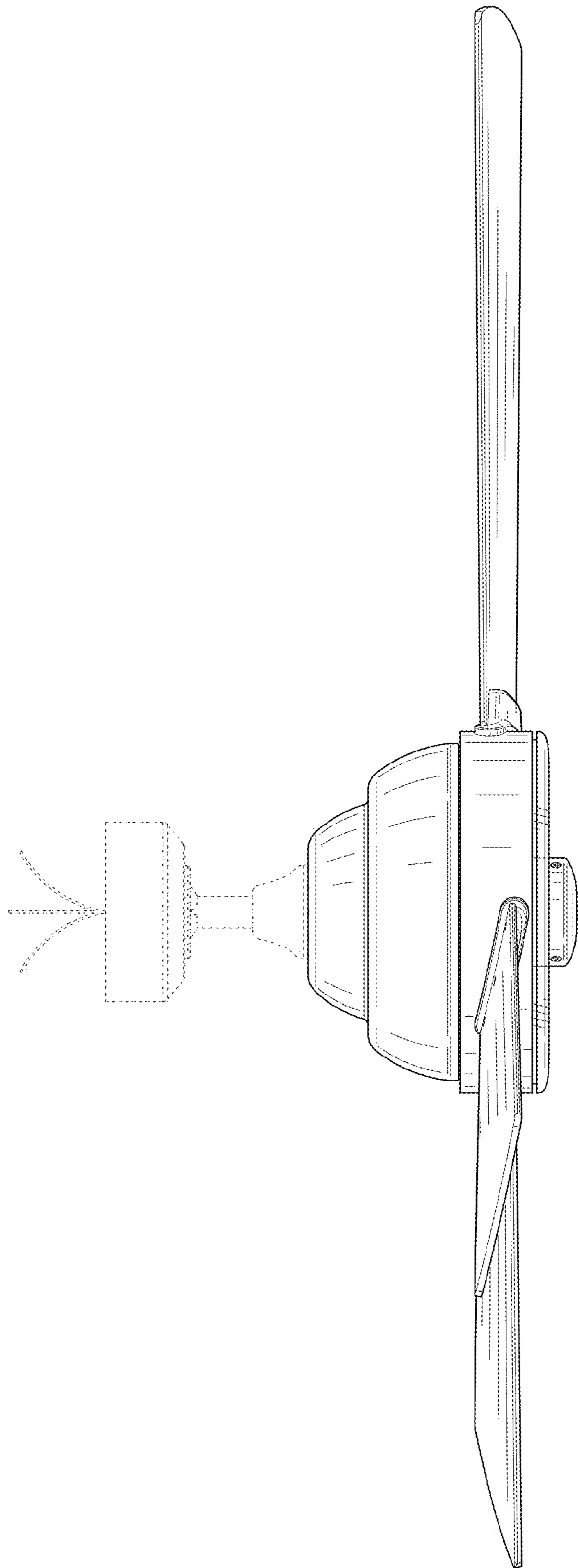


FIG. 7

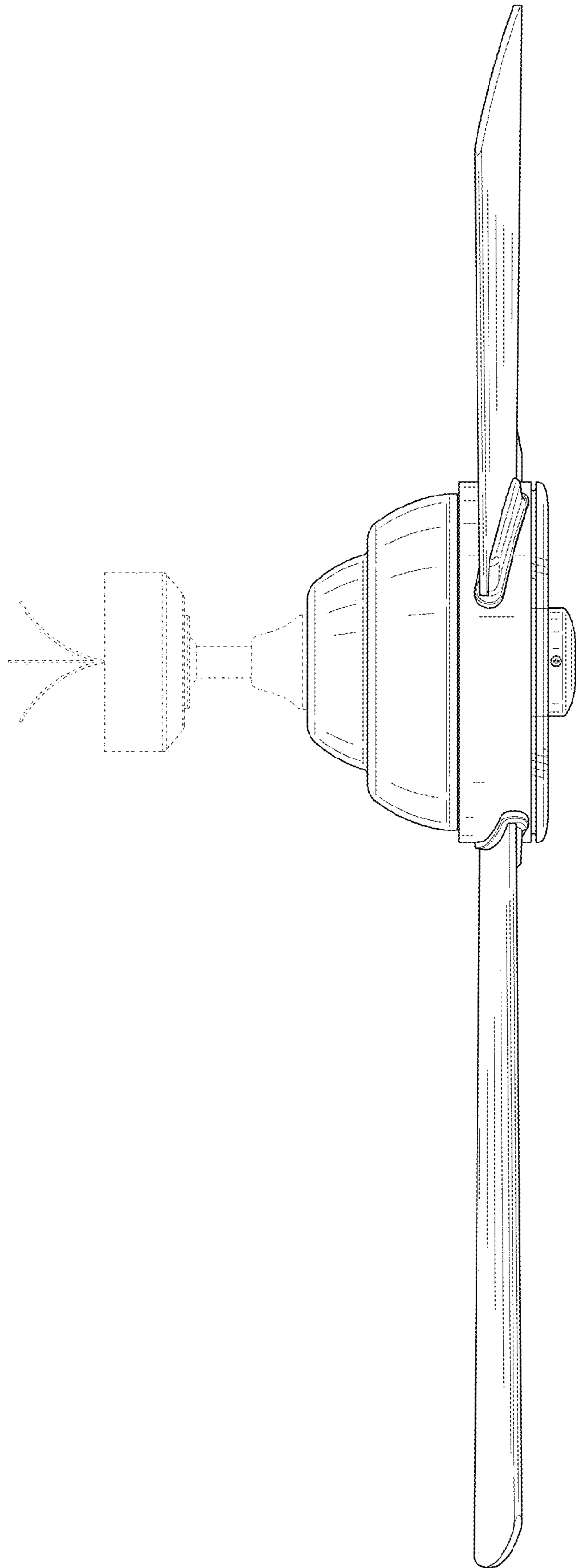


FIG. 8