

US00D932607S

(12) **United States Design Patent**
De Filippis

(10) **Patent No.:** **US D932,607 S**

(45) **Date of Patent:** **** Oct. 5, 2021**

- (54) **FAN**
- (71) Applicant: **SPAL AUTOMOTIVE S.R.L.**,
Correggio (IT)
- (72) Inventor: **Pietro De Filippis**, Varazze (IT)
- (73) Assignee: **SPAL AUTOMOTIVE S.R.L.**,
Correggio (IT)

8,043,049 B2 * 10/2011 Chen F04D 25/0613
415/119
8,328,533 B2 * 12/2012 Yu F04D 25/0613
417/353
D676,541 S * 2/2013 Fu D23/370
D723,151 S * 2/2015 Xu D23/370
8,953,315 B2 * 2/2015 Takemoto F04D 25/0613
361/695
9,512,726 B2 * 12/2016 Ren F04D 25/082
D820,966 S * 6/2018 De Filippis D23/370

- (**) Term: **15 Years**
- (21) Appl. No.: **29/665,984**
- (22) Filed: **Oct. 9, 2018**

* cited by examiner

Primary Examiner — April Rivas
 (74) *Attorney, Agent, or Firm* — Timothy J. Klima;
 Shuttleworth & Ingersoll, PLC

(30) **Foreign Application Priority Data**

Apr. 10, 2018 (EM) 005228640

- (51) **LOC (13) Cl.** **23-04**
- (52) **U.S. Cl.**
USPC **D23/370**
- (58) **Field of Classification Search**
USPC D23/370, 376, 383, 377; D13/179
CPC ... F04D 29/668; F04D 25/0613; F04D 25/082
See application file for complete search history.

(57) **CLAIM**

The ornamental design for a fan, as shown and described.

DESCRIPTION

FIG. 1 is a perspective front view of a fan according to the invention,
 FIG. 2 is a rear view thereof,
 FIG. 3 is a front view thereof,
 FIG. 4 is a left side view thereof,
 FIG. 5 is a right side view thereof,
 FIG. 6 is a bottom side view thereof,
 FIG. 7 is a top side view thereof; and,
 FIG. 8 is a perspective rear view.
 Any broken lines in the figures illustrate portions of the fan that form no part of the claimed design.

(56) **References Cited**

U.S. PATENT DOCUMENTS

D565,166 S * 3/2008 Calkins D23/370
 D599,457 S * 9/2009 Spaggiari D23/370

1 Claim, 8 Drawing Sheets

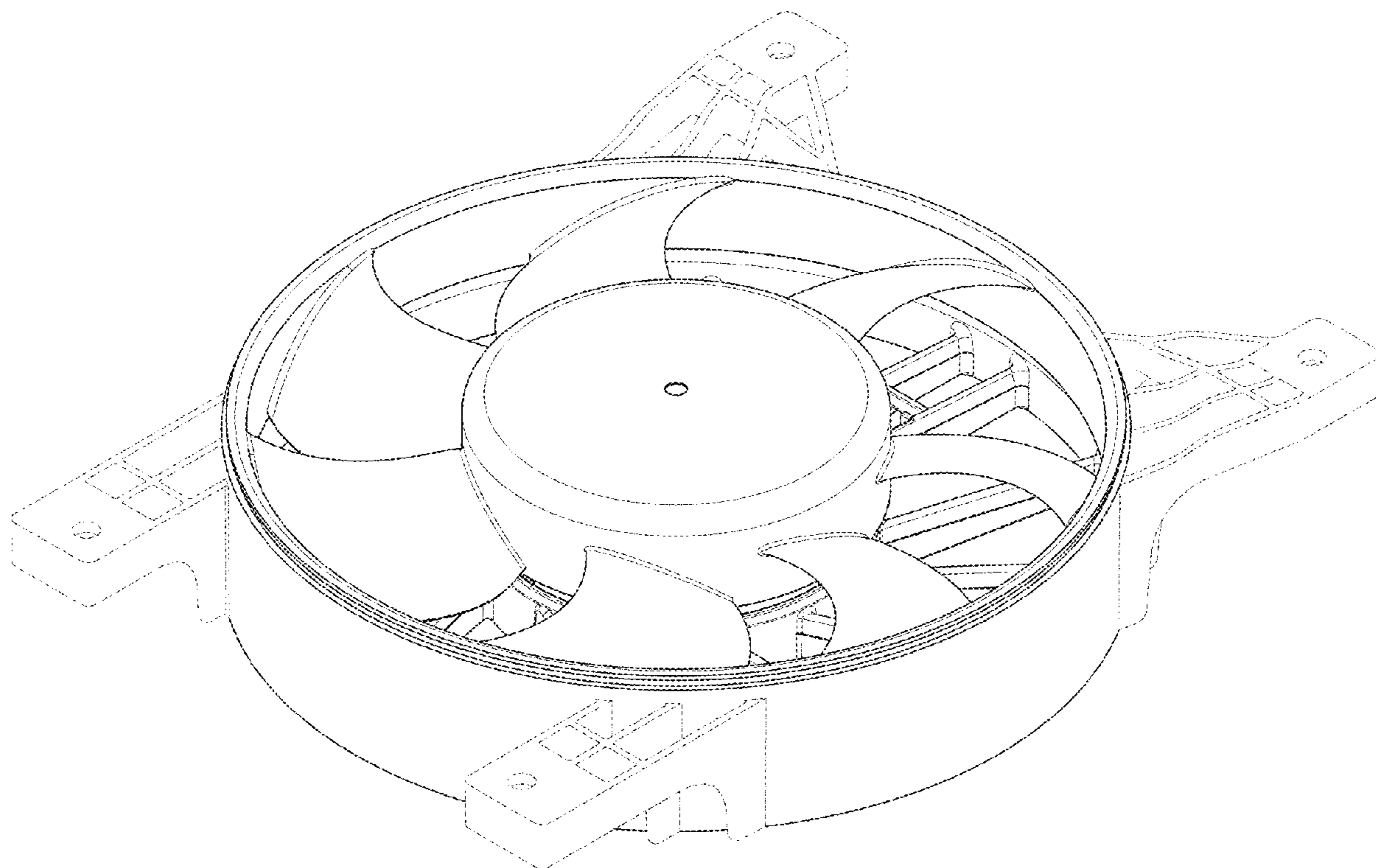


Fig.1

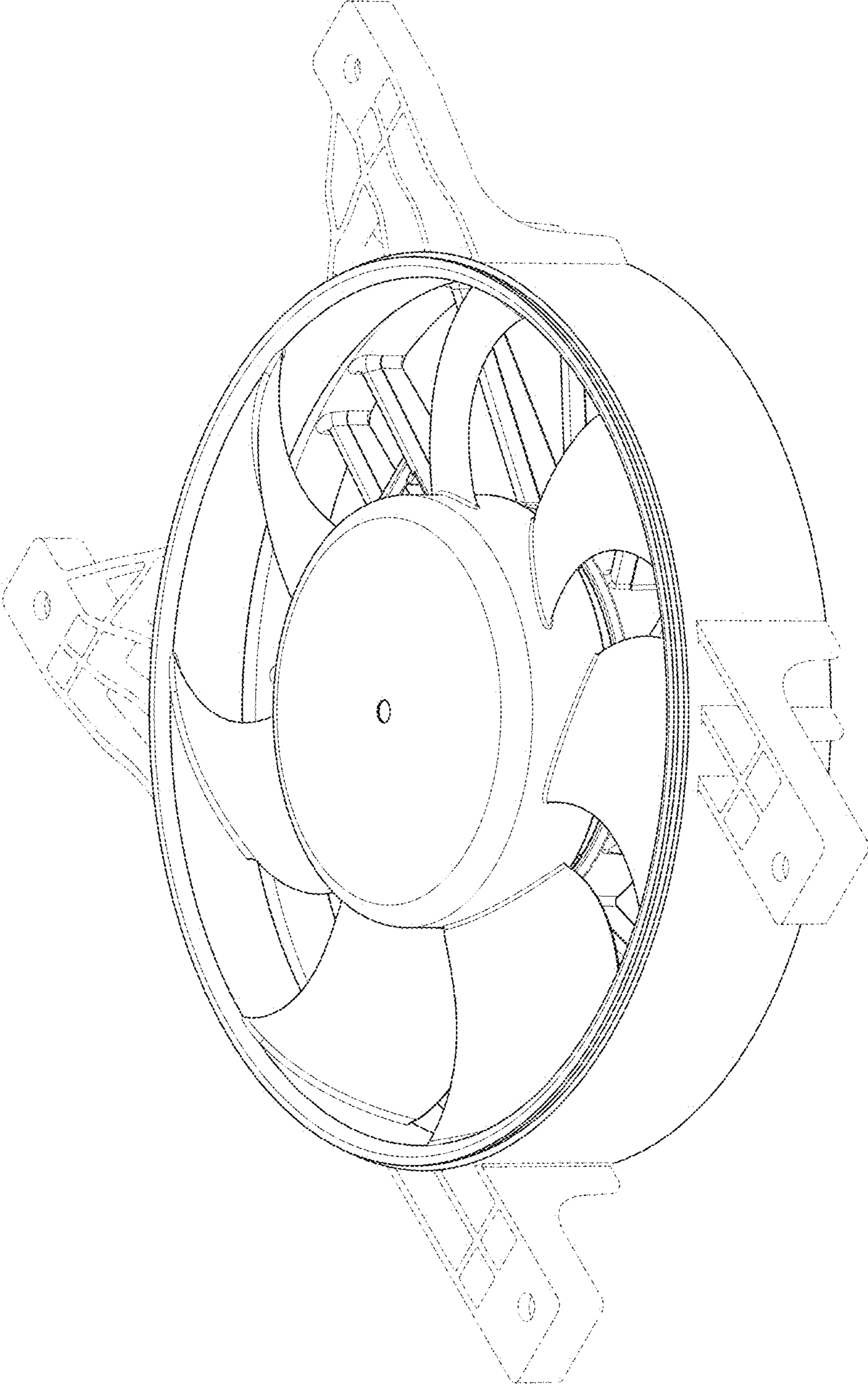


Fig. 2

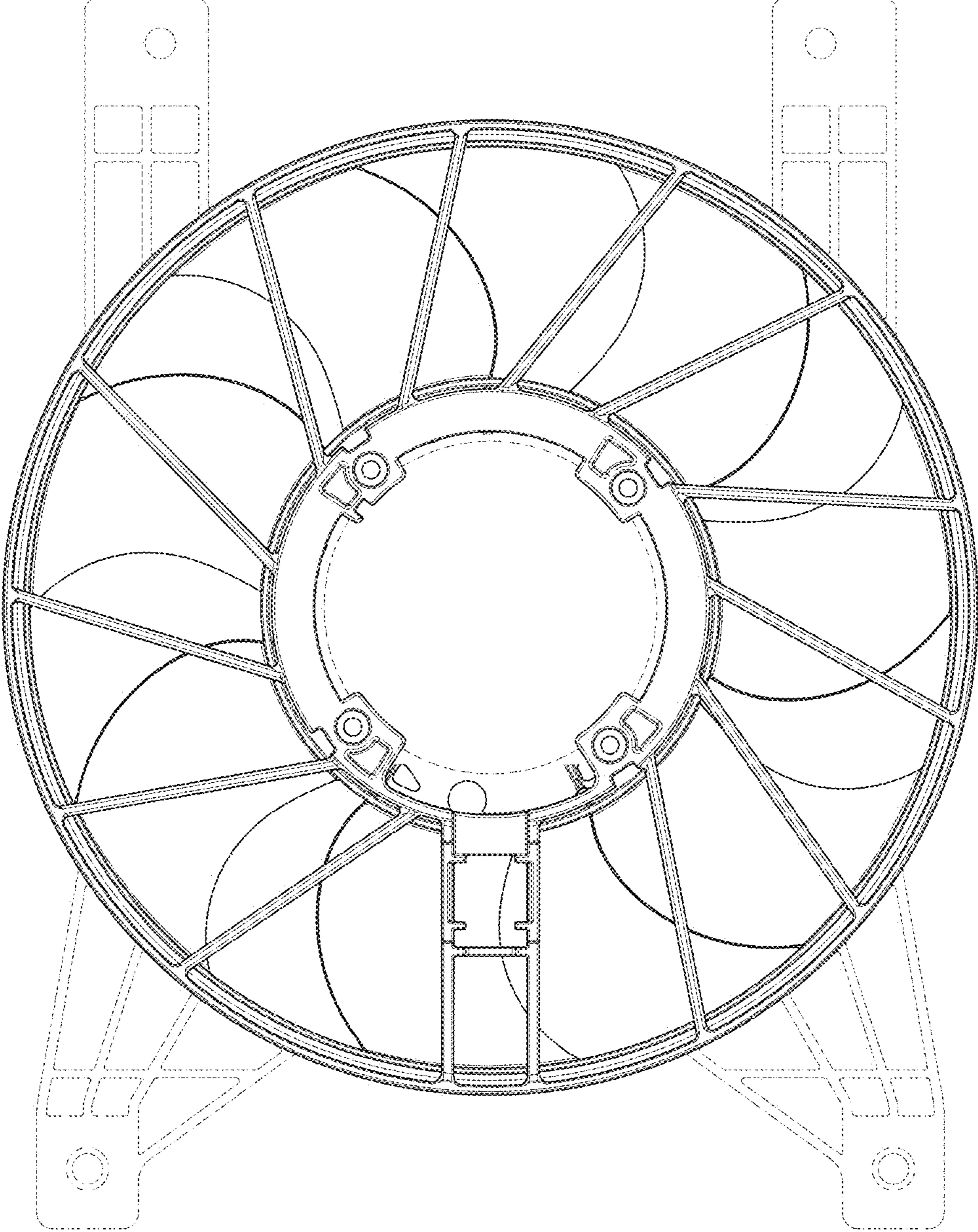


Fig. 3

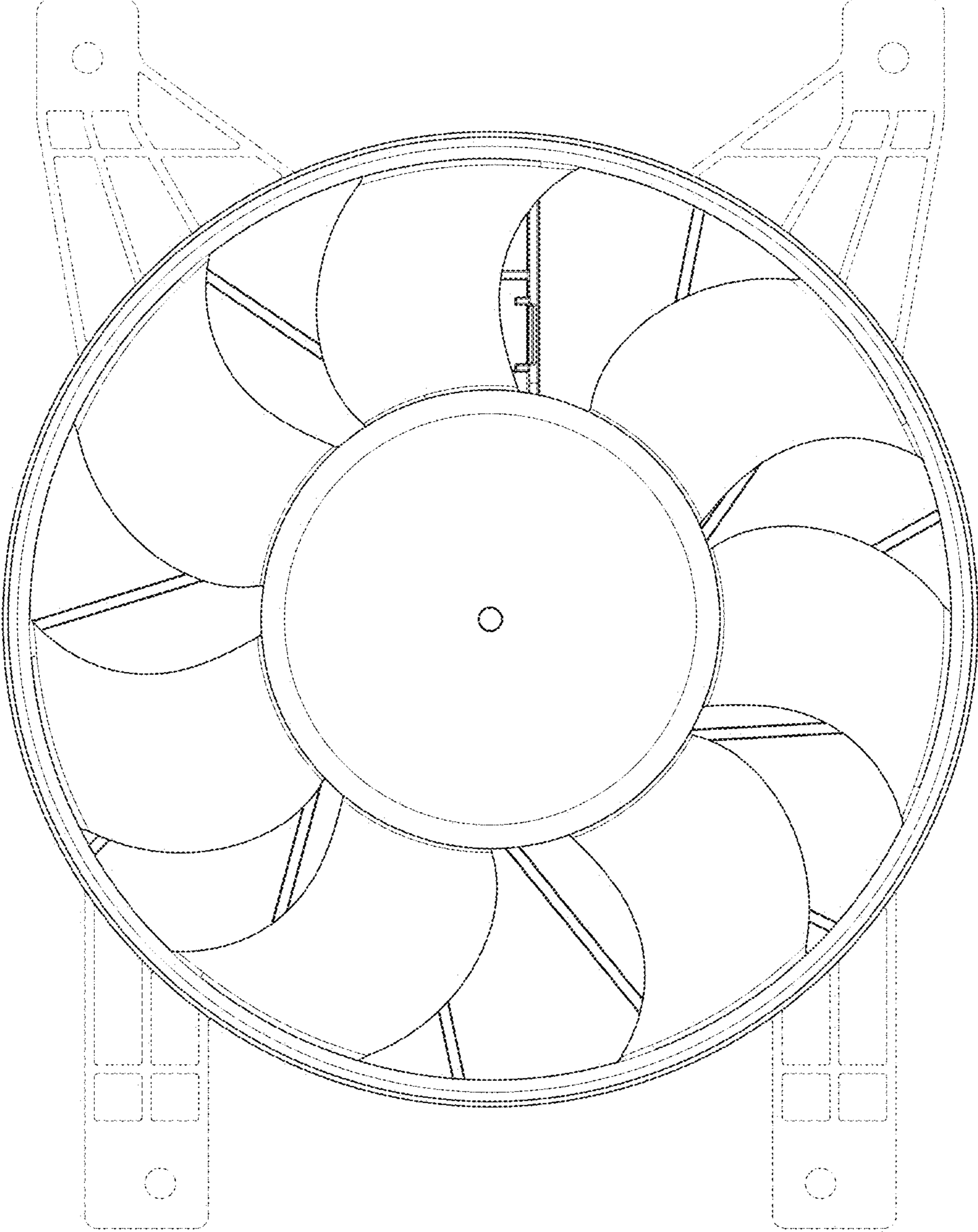


Fig. 4

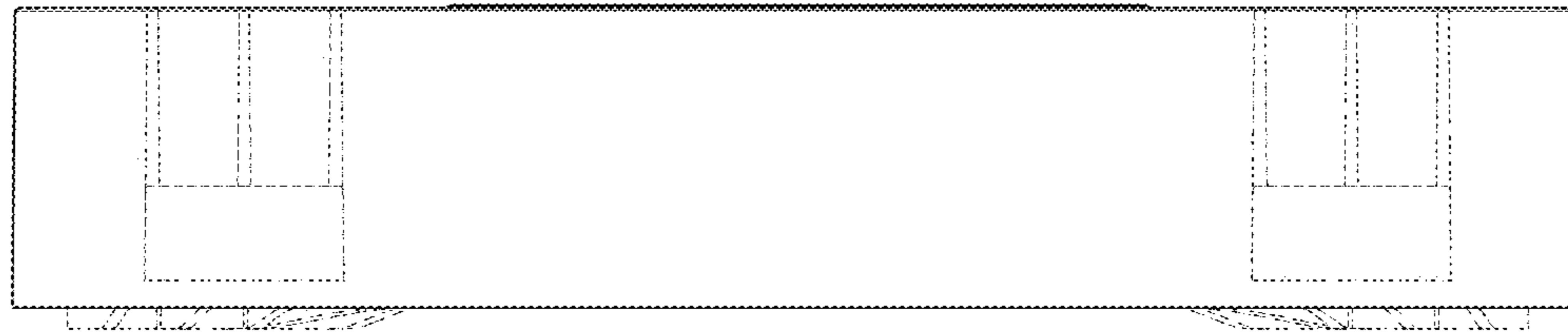


Fig. 5

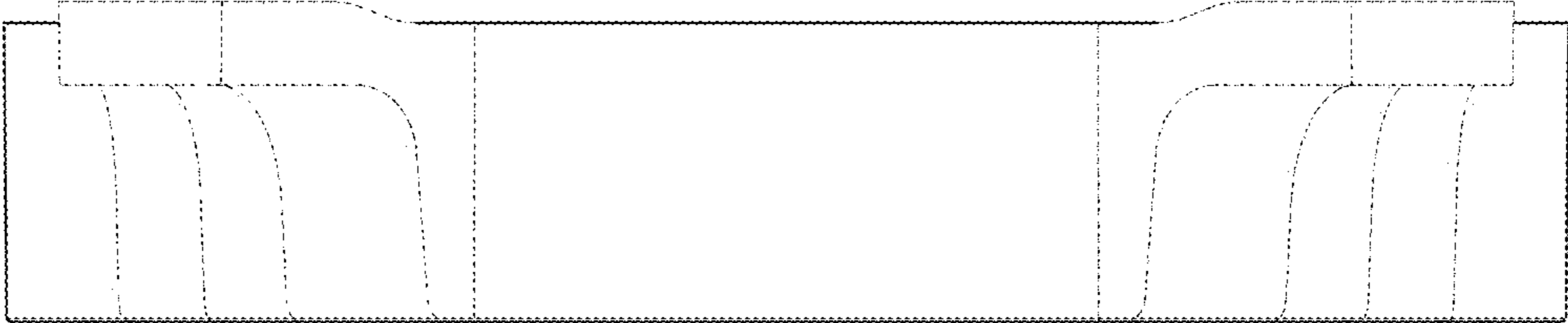


Fig. 6

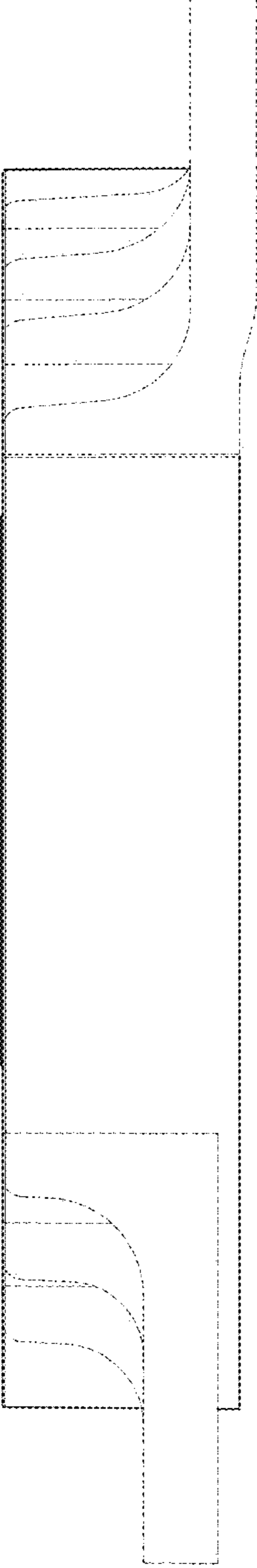


Fig. 7

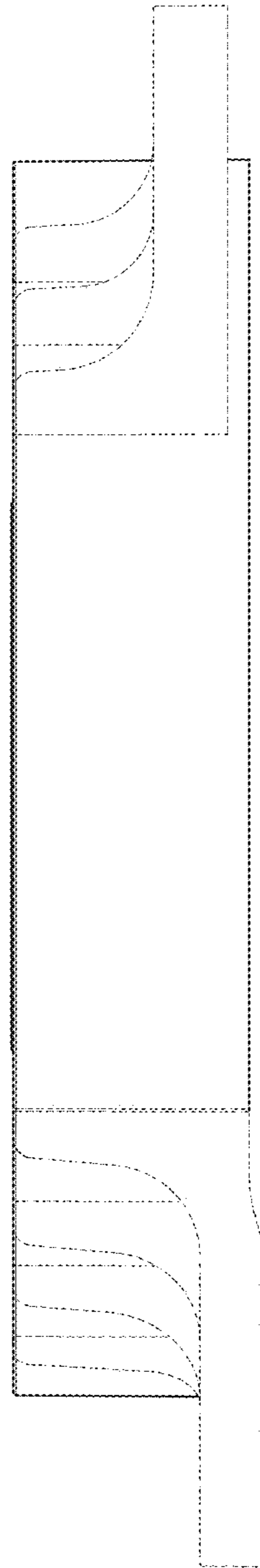


Fig.8

