



US00D932606S

(12) **United States Design Patent** (10) **Patent No.:** **US D932,606 S**  
**Wang et al.** (45) **Date of Patent:** **\*\* Oct. 5, 2021**

(54) **HUMIDIFIER**

(71) Applicant: **Tian-Zhao Li**, Zhongshan (CN)

(72) Inventors: **Mu-Mian Wang**, Zhongshan (CN);  
**Chun-You Wang**, Zhongshan (CN);  
**Yong Hou**, Zhongshan (CN)

(\*\*) Term: **15 Years**

(21) Appl. No.: **29/703,150**

(22) Filed: **Aug. 24, 2019**

(51) **LOC (13) Cl.** ..... **24-02**

(52) **U.S. Cl.**  
USPC ..... **D23/356**

(58) **Field of Classification Search**  
USPC ..... D23/355-366, 352, 369, 332, 333, 335,  
D23/336, 342, 351; 422/120, 122;  
55/356, 473, 504; 96/97; 261/DIG. 17,  
261/DIG. 65, DIG. 88, DIG. 31  
CPC .. A61L 9/16; A61L 9/22; B01D 47/00; B01D  
47/027; B01D 2221/02; B01D 2259/4508;  
B03C 3/155; B03C 3/368; F24F 3/16;  
F24F 13/20; F24F 13/28; F24F  
2001/0096

See application file for complete search history.

(56) **References Cited**

**U.S. PATENT DOCUMENTS**

D827,802 S \* 9/2018 Chen ..... D23/366  
D835,766 S \* 12/2018 Chen ..... D23/364

D838,825 S \* 1/2019 Sullivan ..... D23/366  
D865,932 S \* 11/2019 Ha ..... D23/356  
D870,870 S \* 12/2019 Copparstad ..... D23/351  
D873,401 S \* 1/2020 Chen ..... D23/364  
D879,274 S \* 3/2020 Hu ..... D23/356  
D882,056 S \* 4/2020 Baillie ..... D23/364  
D884,138 S \* 5/2020 Chen ..... D23/366  
D886,272 S \* 6/2020 Yang ..... D23/364  
D886,975 S \* 6/2020 Yang ..... D23/364  
D888,923 S \* 6/2020 Zhong ..... D23/364  
D890,905 S \* 7/2020 Farone ..... D23/364

\* cited by examiner

*Primary Examiner* — David G Muller

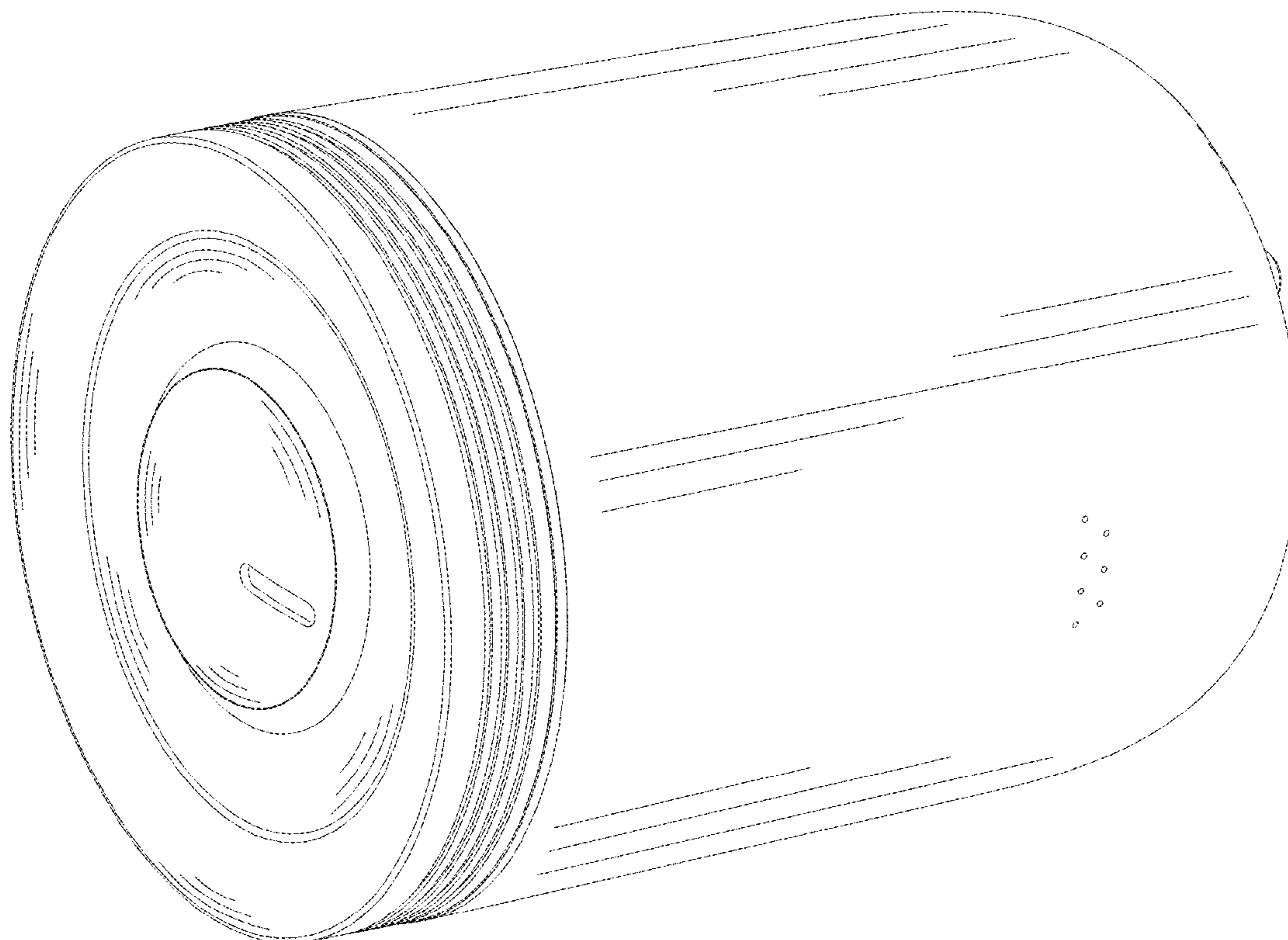
(57) **CLAIM**

The ornamental design for a humidifier, as shown and described.

**DESCRIPTION**

FIG. 1 is a perspective view of a humidifier showing my new design;  
FIG. 2 is a front elevational view thereof;  
FIG. 3 is a top plan view thereof;  
FIG. 4 is a left side elevational view thereof;  
FIG. 5 is a rear elevational view thereof;  
FIG. 6 is a right side view thereof; and,  
FIG. 7 is a bottom plan view thereof.  
The broken lines in the drawings illustrate portions of the humidifier, that form no part of the claimed design.

**1 Claim, 7 Drawing Sheets**



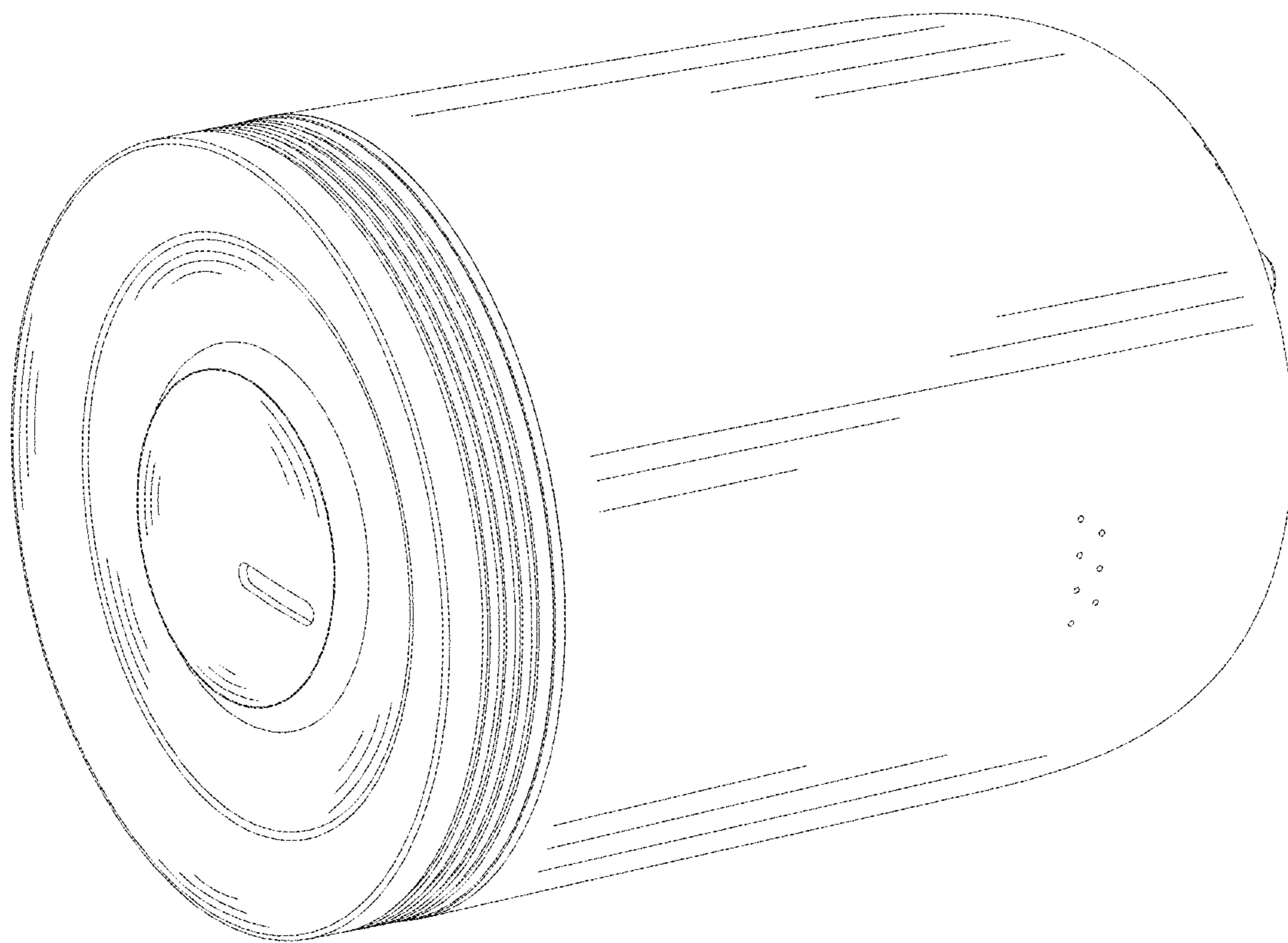


FIG. 1

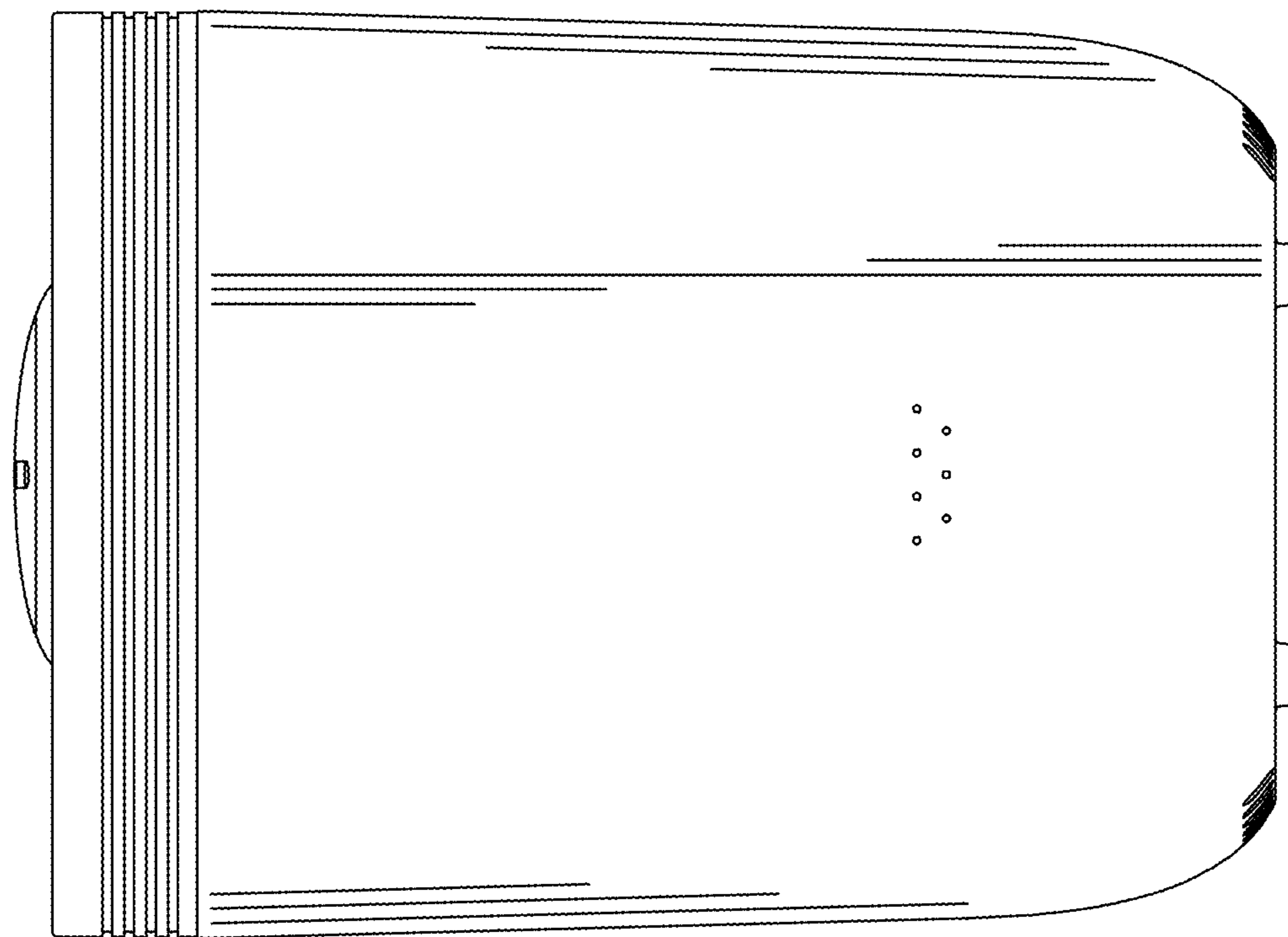


FIG. 2

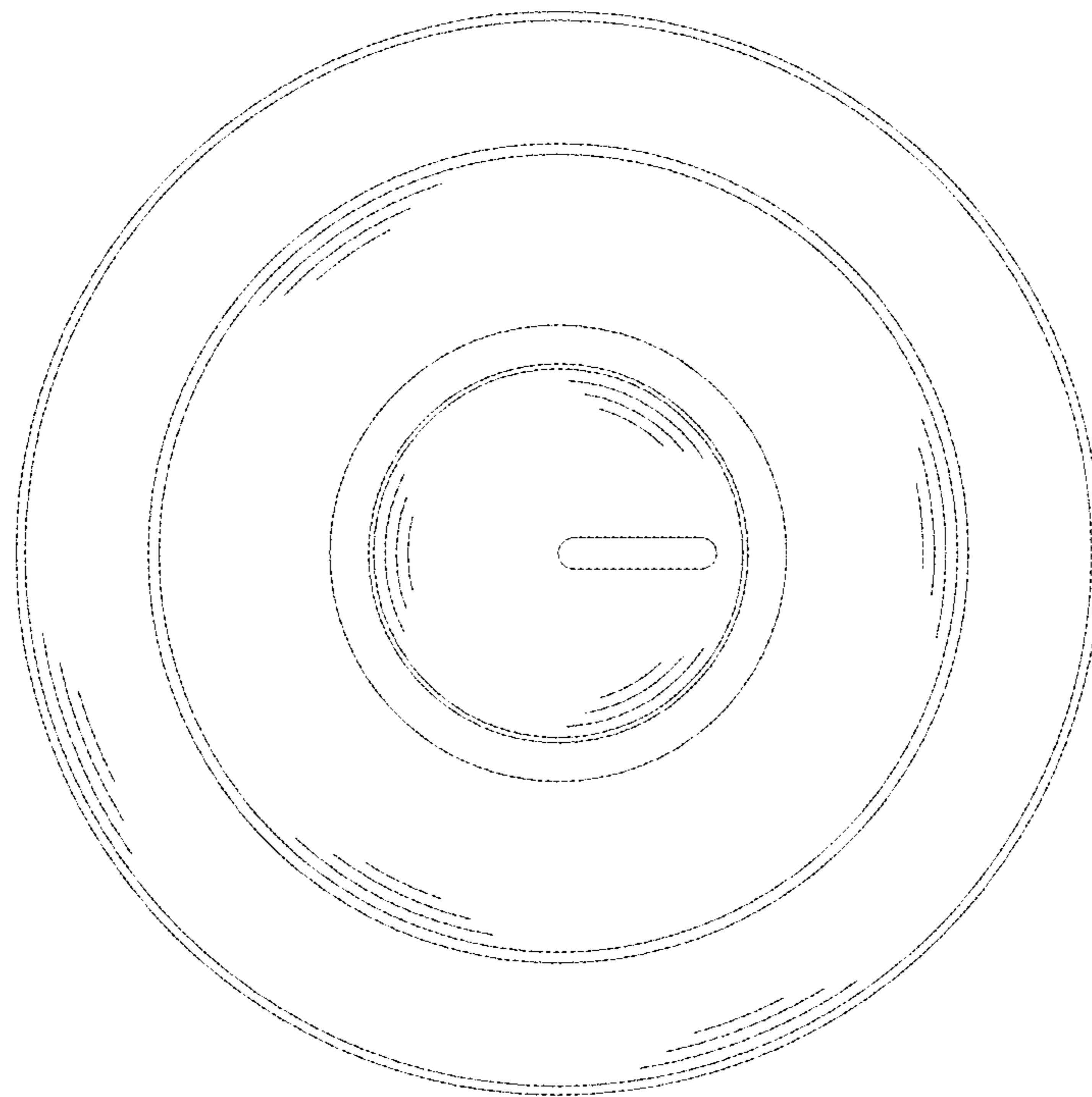


FIG. 3

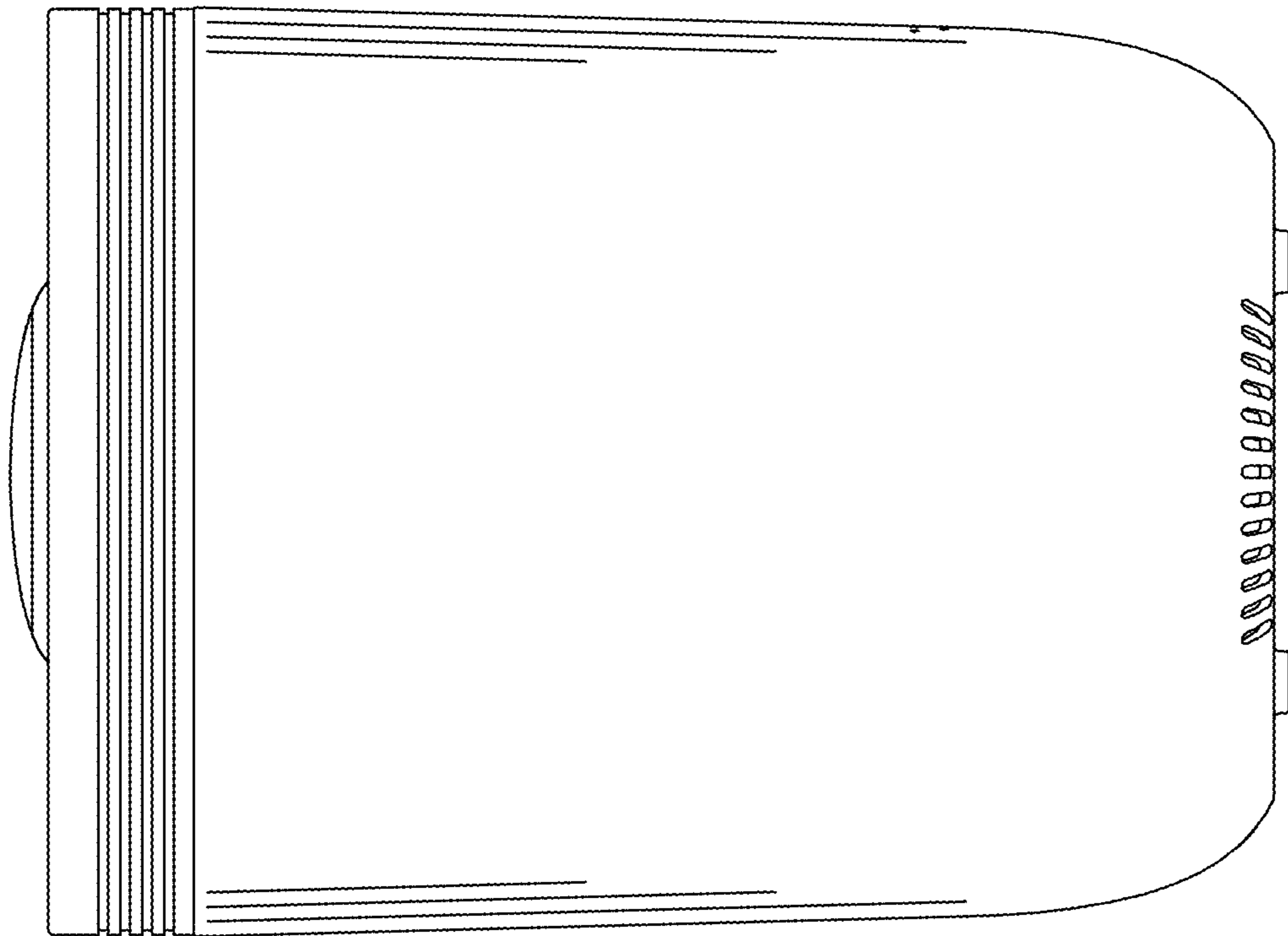


FIG. 4

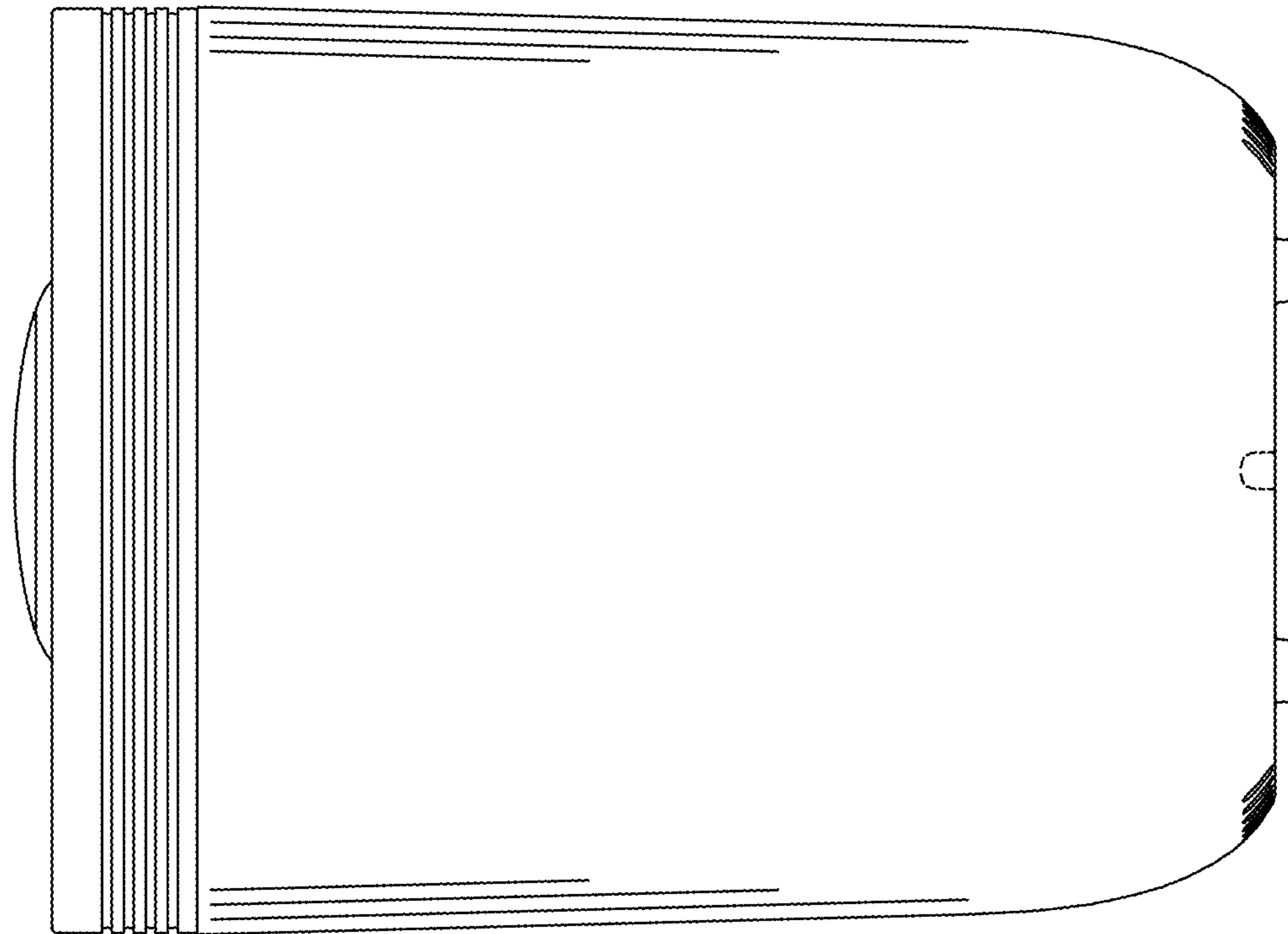


FIG. 5



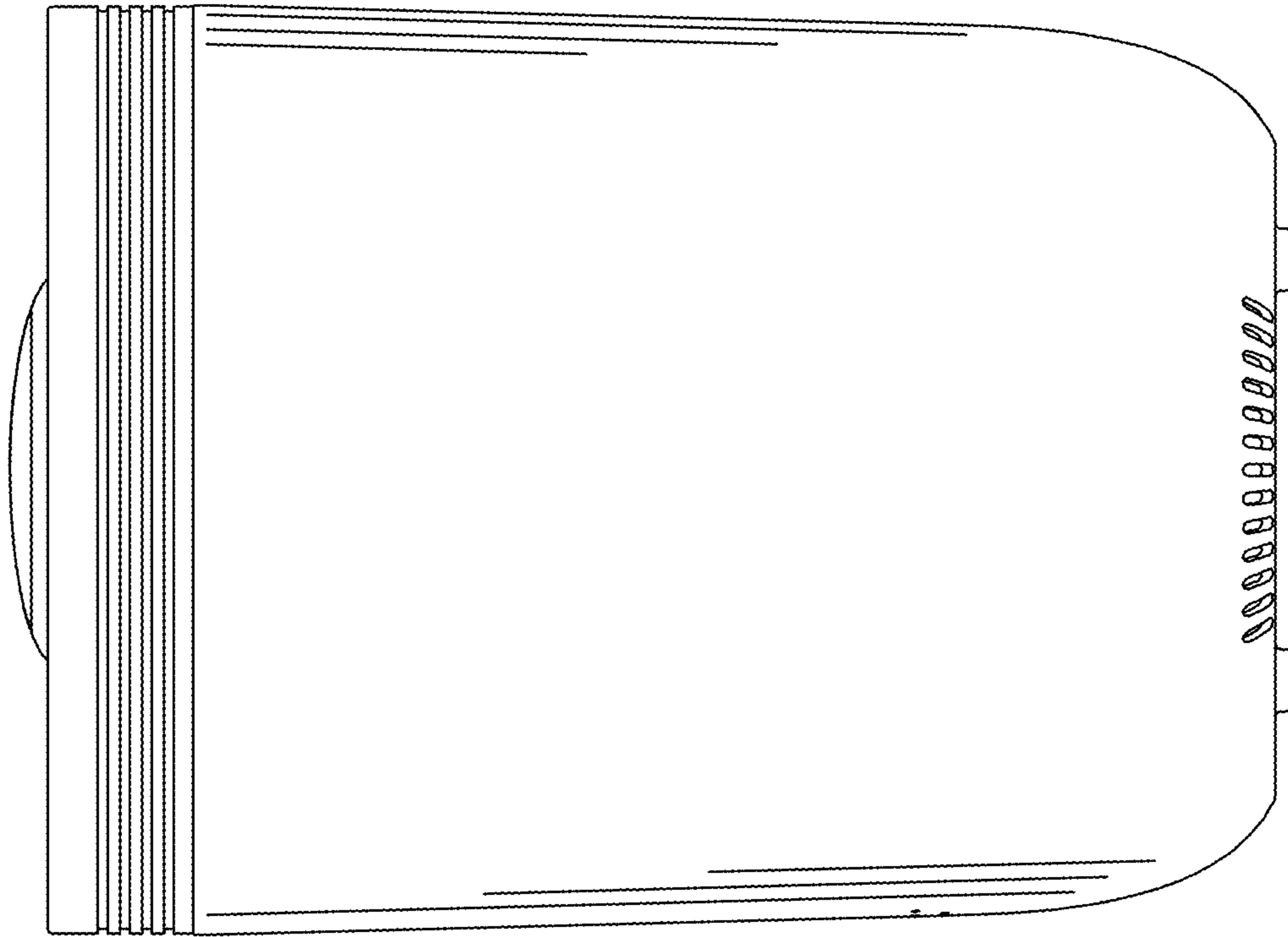


FIG. 6

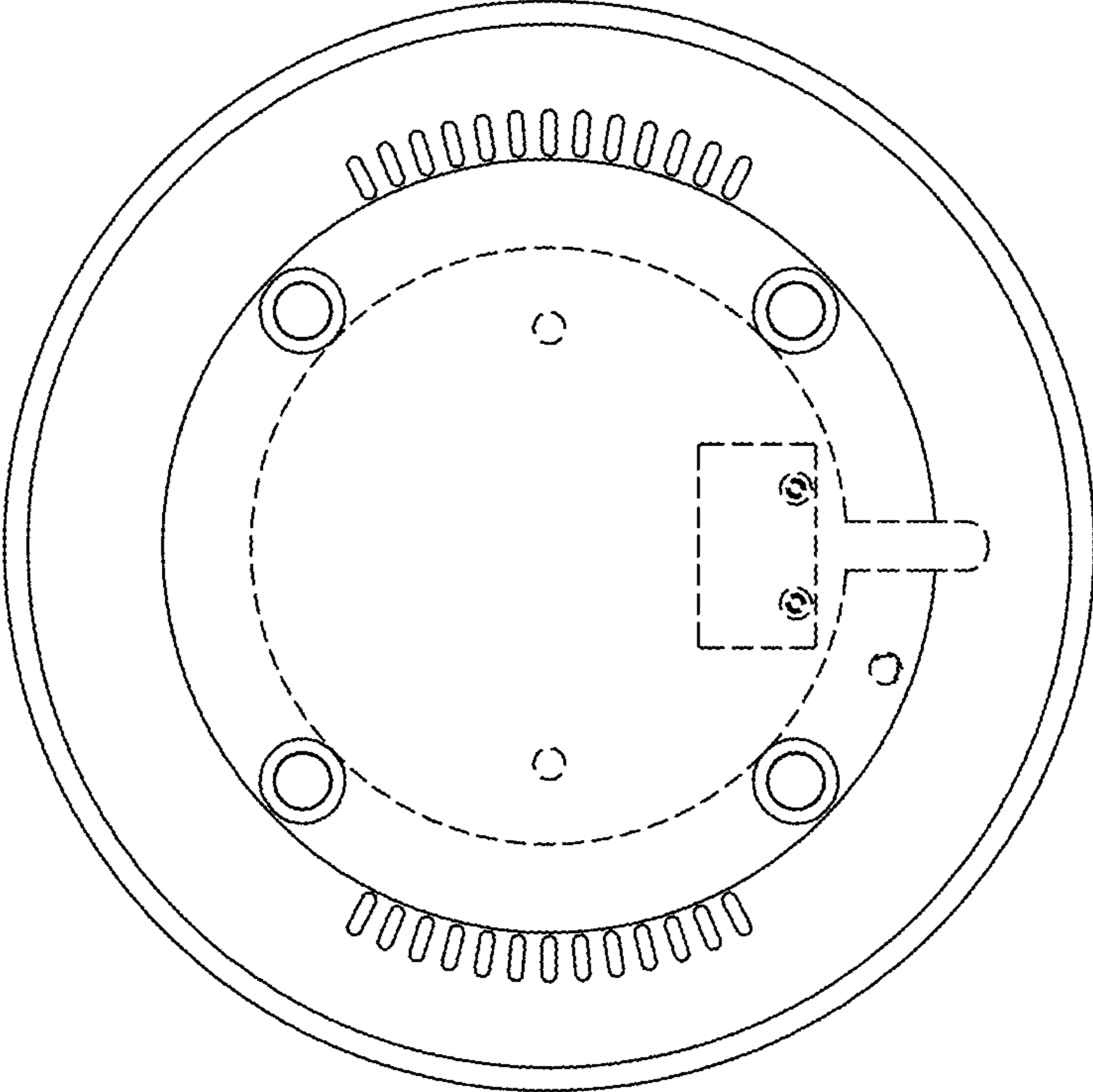


FIG. 7