



US00D932605S

(12) **United States Design Patent** (10) **Patent No.:** **US D932,605 S**
Lu (45) **Date of Patent:** **** Oct. 5, 2021**

(54) **ELECTRIC FIREPLACE**
(71) Applicant: **Dong Guan Song Wei Electric Technology Co., Ltd., Dongguan (CN)**
(72) Inventor: **Weilin Lu, Dongguan (CN)**
(73) Assignee: **DONG GUAN SONG WEI ELECTRIC TECHNOLOGY CO., LTD., Dongguan (CN)**

(**) Term: **15 Years**

(21) Appl. No.: **29/729,202**

(22) Filed: **Mar. 25, 2020**

(51) **LOC (13) Cl.** **23-03**

(52) **U.S. Cl.**
USPC **D23/343**

(58) **Field of Classification Search**
USPC D23/342, 344, 347, 349, 350, 405, 343
CPC F24C 7/00; F24C 7/004; F24B 1/1808;
F24B 1/181

See application file for complete search history.

(56) **References Cited**

U.S. PATENT DOCUMENTS

D658,750 S * 5/2012 Nemes D23/344
D691,251 S * 10/2013 Couture D23/342
D805,619 S * 12/2017 Hrydovyy D23/343
D805,620 S * 12/2017 Hrydovyy D23/343
D900,988 S * 11/2020 Lu D23/344
D909,552 S * 2/2021 Lu D23/344
2008/0216366 A1* 9/2008 Purton G09F 19/12
40/428
2009/0310340 A1* 12/2009 Betz F24C 7/004
362/183

2015/0184861 A1* 7/2015 Zhu F24B 7/045
126/21 A
2018/0299086 A1* 10/2018 Gallo F21S 10/046
2020/0200392 A1* 6/2020 Lu F21S 10/046
2020/0284435 A1* 9/2020 Sibera F24C 7/004
2021/0140643 A1* 5/2021 Xu F24H 3/0411

OTHER PUBLICATIONS

CN 304456151 Table type electric fireplace Jan. 12, 2018 (Year: 2018).*

CN303331238 Electric Fireplace Aug. 12, 2015 (Year: 2015).*

CN 302911033 The electric fireplace Aug. 13, 2014 (Year: 2014).*

* cited by examiner

Primary Examiner — Ania Aman

(74) *Attorney, Agent, or Firm* — Leong C. Lei

(57) **CLAIM**

The ornamental design for an electric fireplace, as shown and described.

DESCRIPTION

FIG. 1 is a top and front perspective view of an electric fireplace showing my present design;

FIG. 2 is a front view thereof;

FIG. 3 is a rear view thereof;

FIG. 4 is a left side view thereof;

FIG. 5 is a right side view thereof;

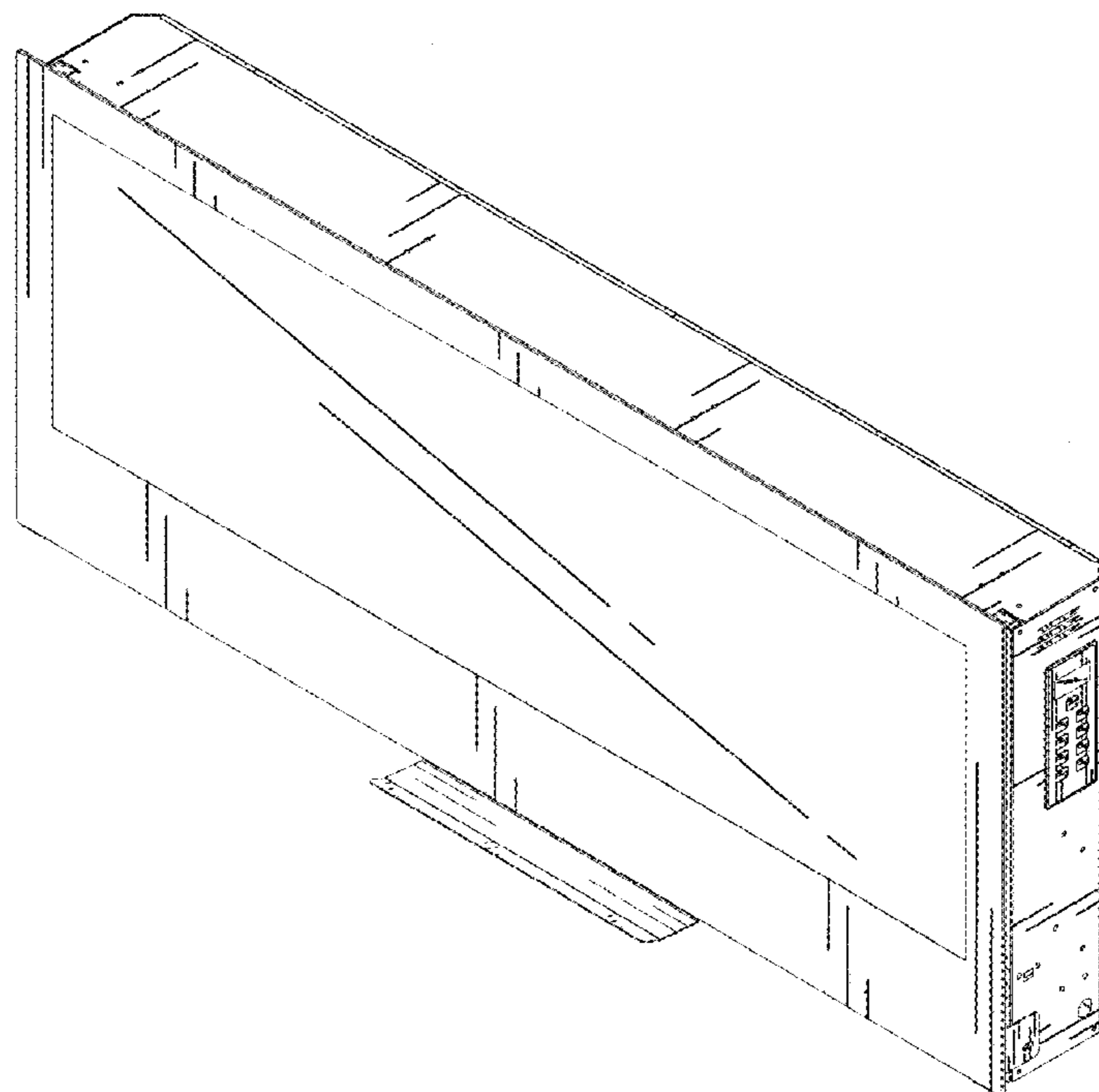
FIG. 6 is a top view thereof;

FIG. 7 is a bottom view thereof; and,

FIG. 8 is a right side and front perspective view.

The dashed broken lines represent unclaimed portions of the electric fireplace and form no part of the claimed design.

1 Claim, 8 Drawing Sheets



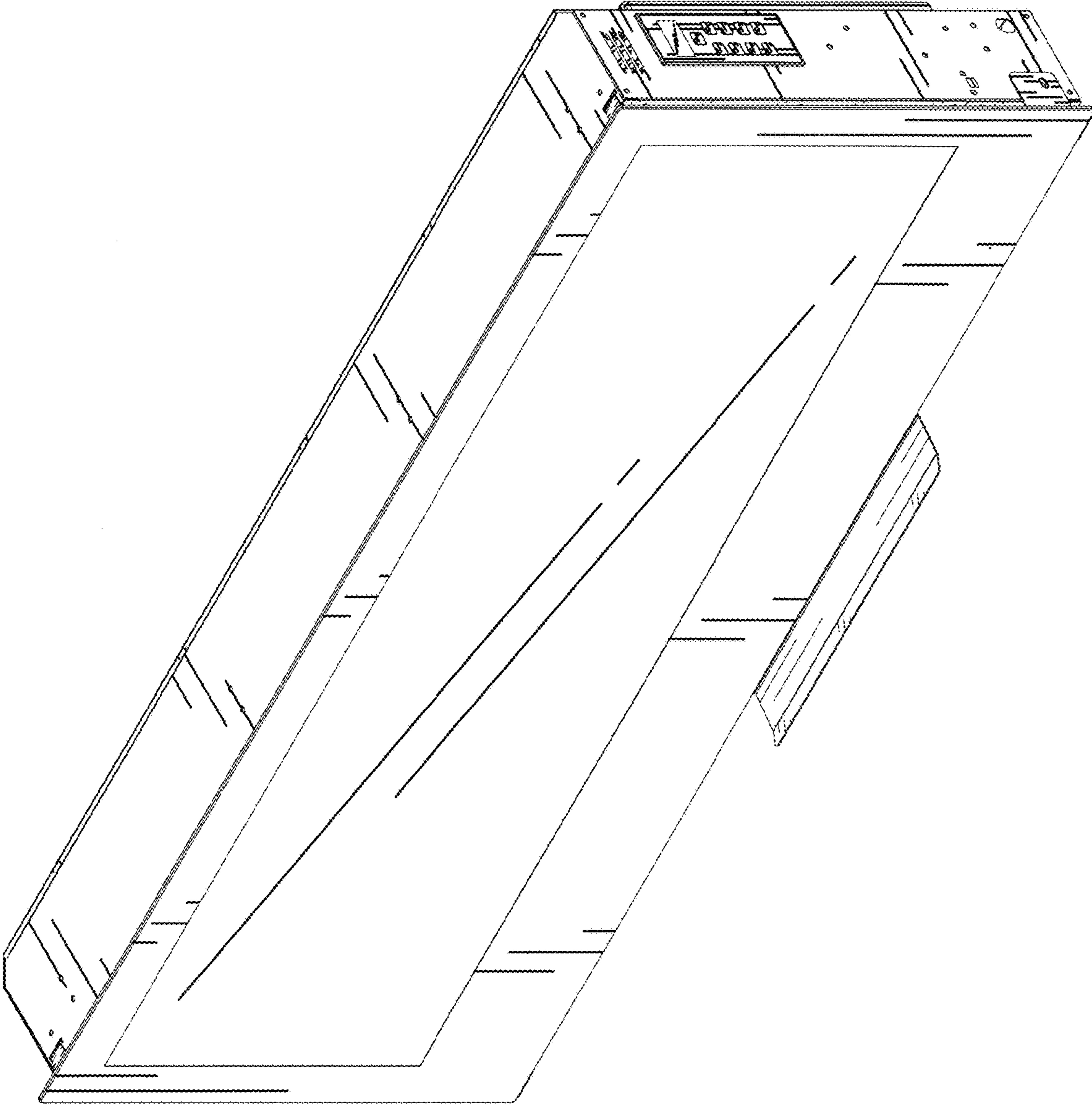


FIG. 1

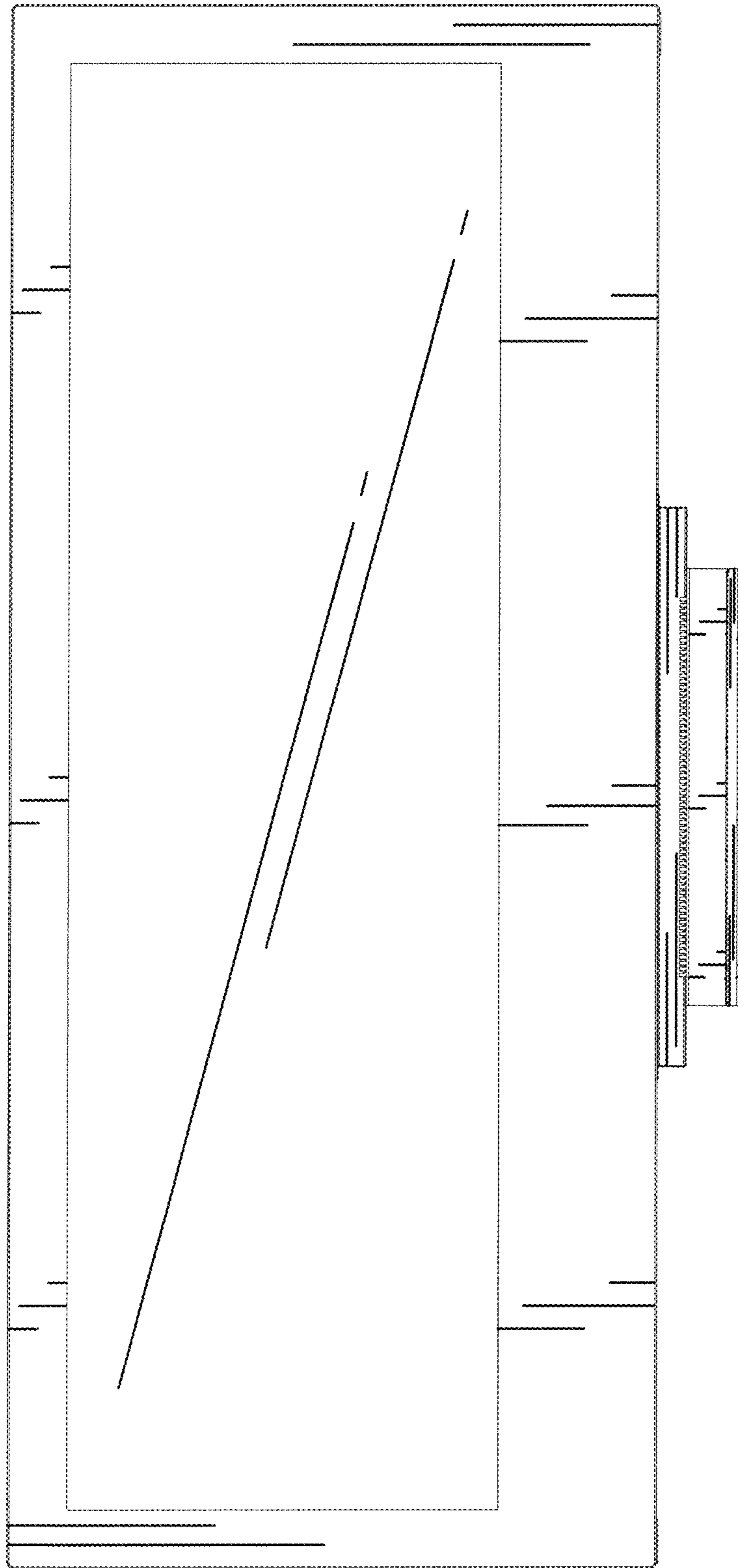


FIG. 2

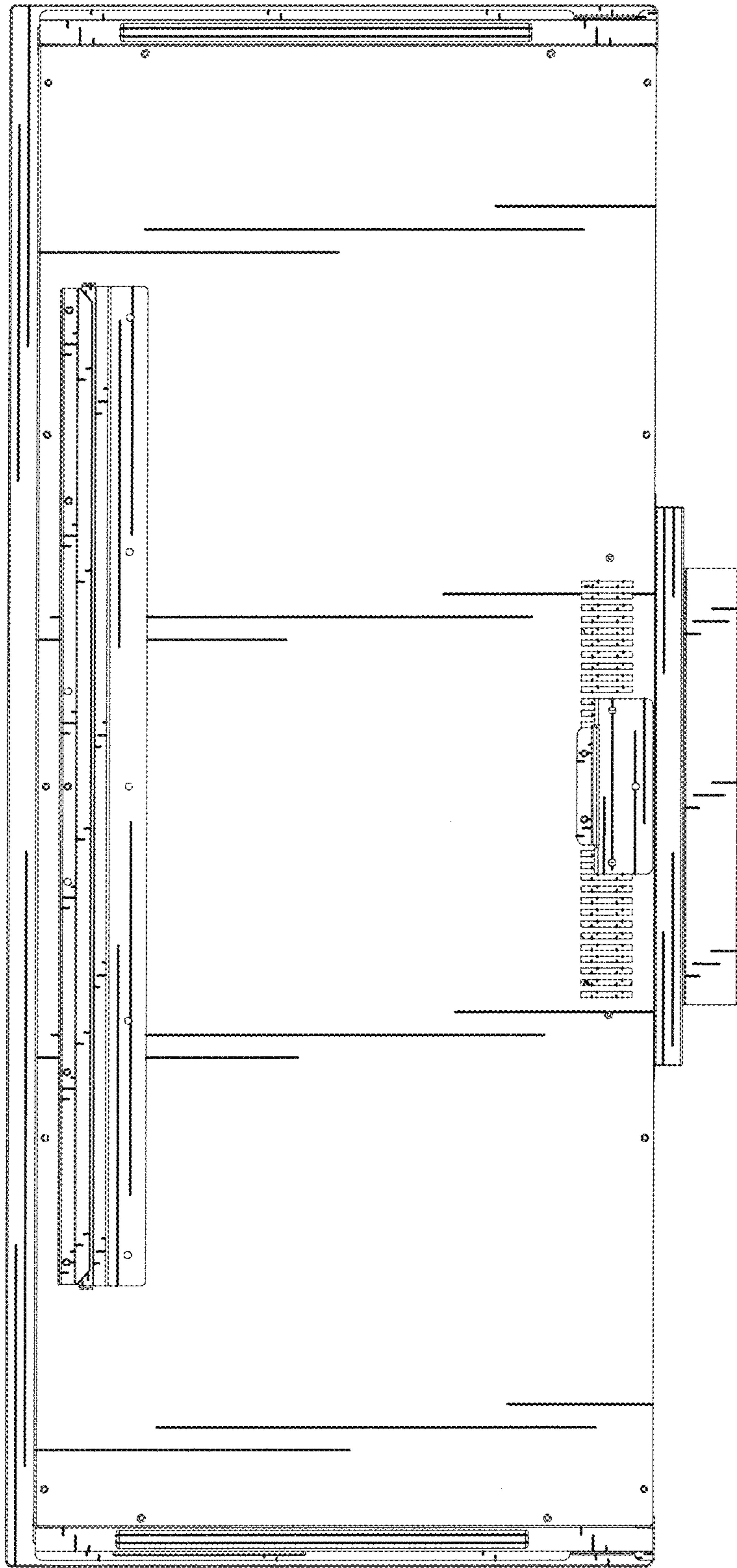


FIG. 3

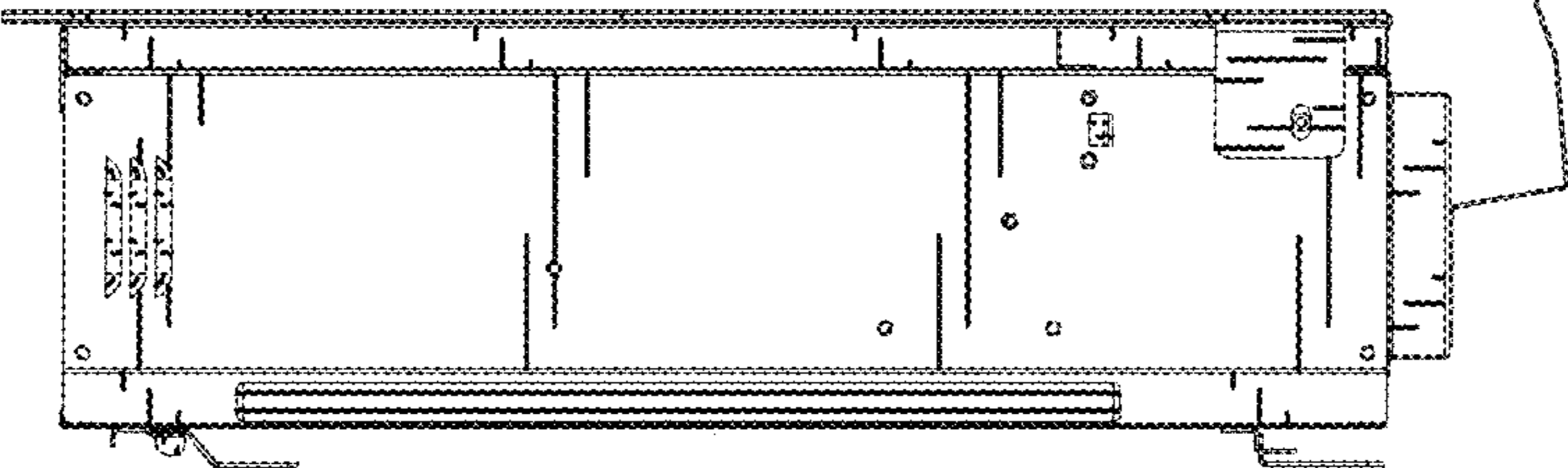


FIG. 4

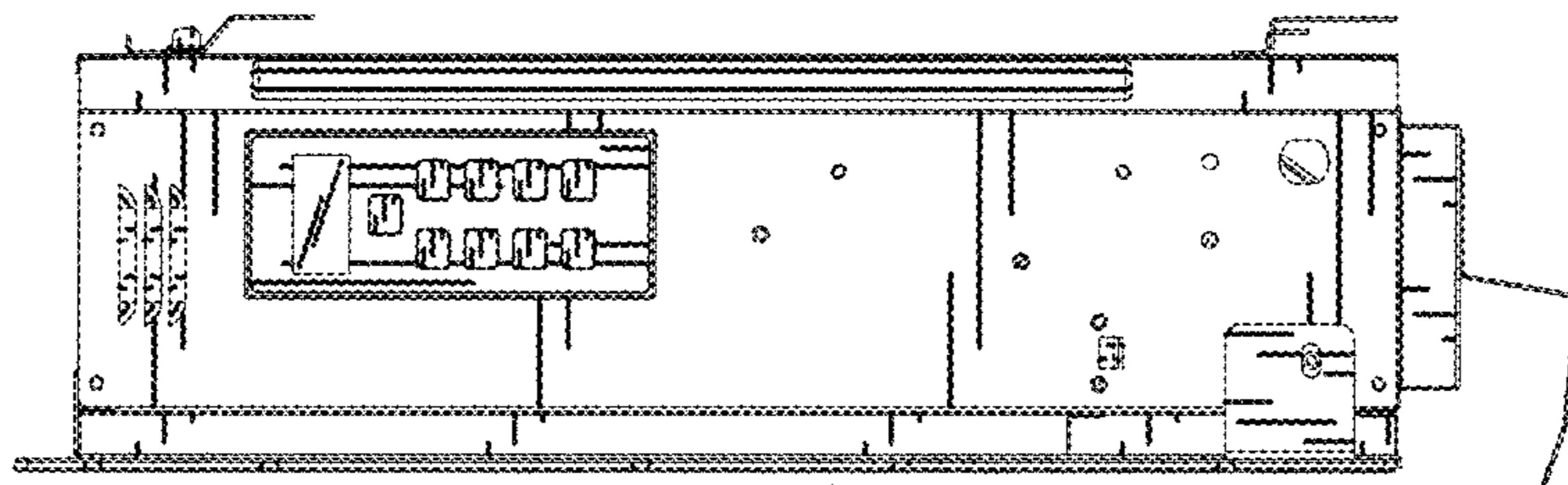


FIG. 5

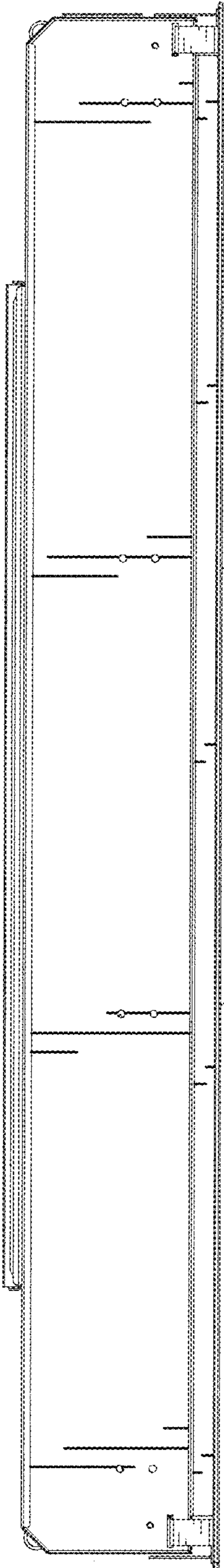


FIG. 6

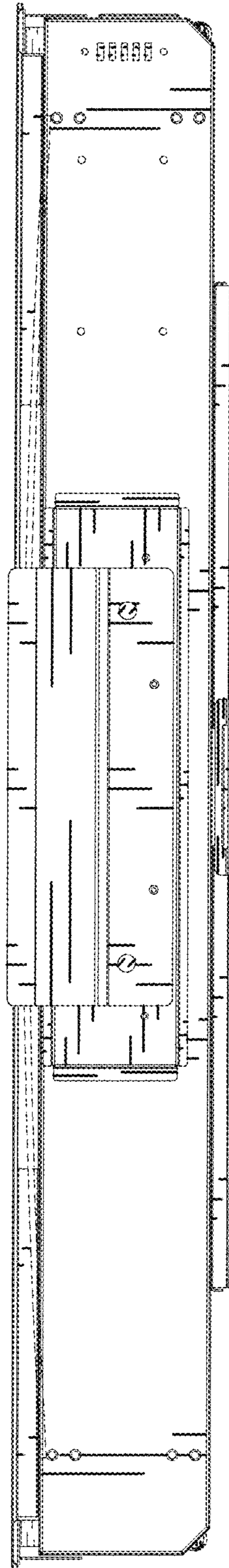


FIG. 7

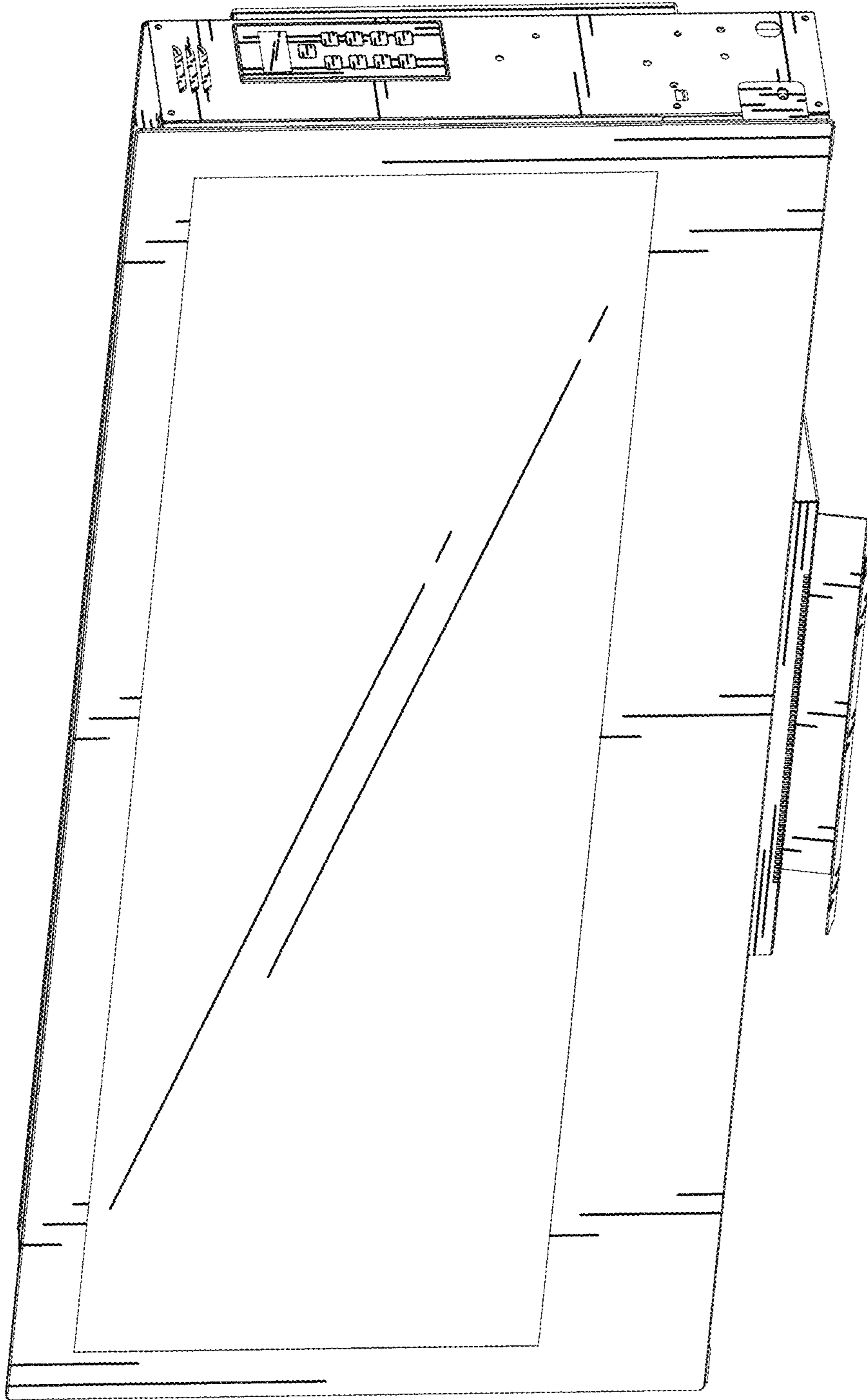


FIG. 8