

US00D932604S

(12) **United States Design Patent**
Hogue, II

(10) **Patent No.:** **US D932,604 S**

(45) **Date of Patent:** **** Oct. 5, 2021**

(54) **TOILET AND URINAL COMBINATION**

(71) Applicant: **Charles Hogue, II**, Ventura, CA (US)

(72) Inventor: **Charles Hogue, II**, Ventura, CA (US)

(**) Term: **15 Years**

(21) Appl. No.: **29/730,792**

(22) Filed: **Apr. 8, 2020**

(51) **LOC (13) Cl.** **23-02**

(52) **U.S. Cl.**
USPC **D23/301**

(58) **Field of Classification Search**
USPC D23/295, 301, 309, 313, 274
See application file for complete search history.

(56) **References Cited**

U.S. PATENT DOCUMENTS

458,355 A	8/1891	Baskfield	
3,735,428 A	5/1973	Olivero	
D283,834 S *	5/1986	Grudzinskas D23/301
5,495,624 A	3/1996	Lissok	
6,061,844 A	5/2000	Barton	

D619,229 S * 7/2010 Kwak D23/309
2012/0246816 A1 10/2012 Jung
2013/0019398 A1 1/2013 Selvang

* cited by examiner

Primary Examiner — Robert A Delehanty

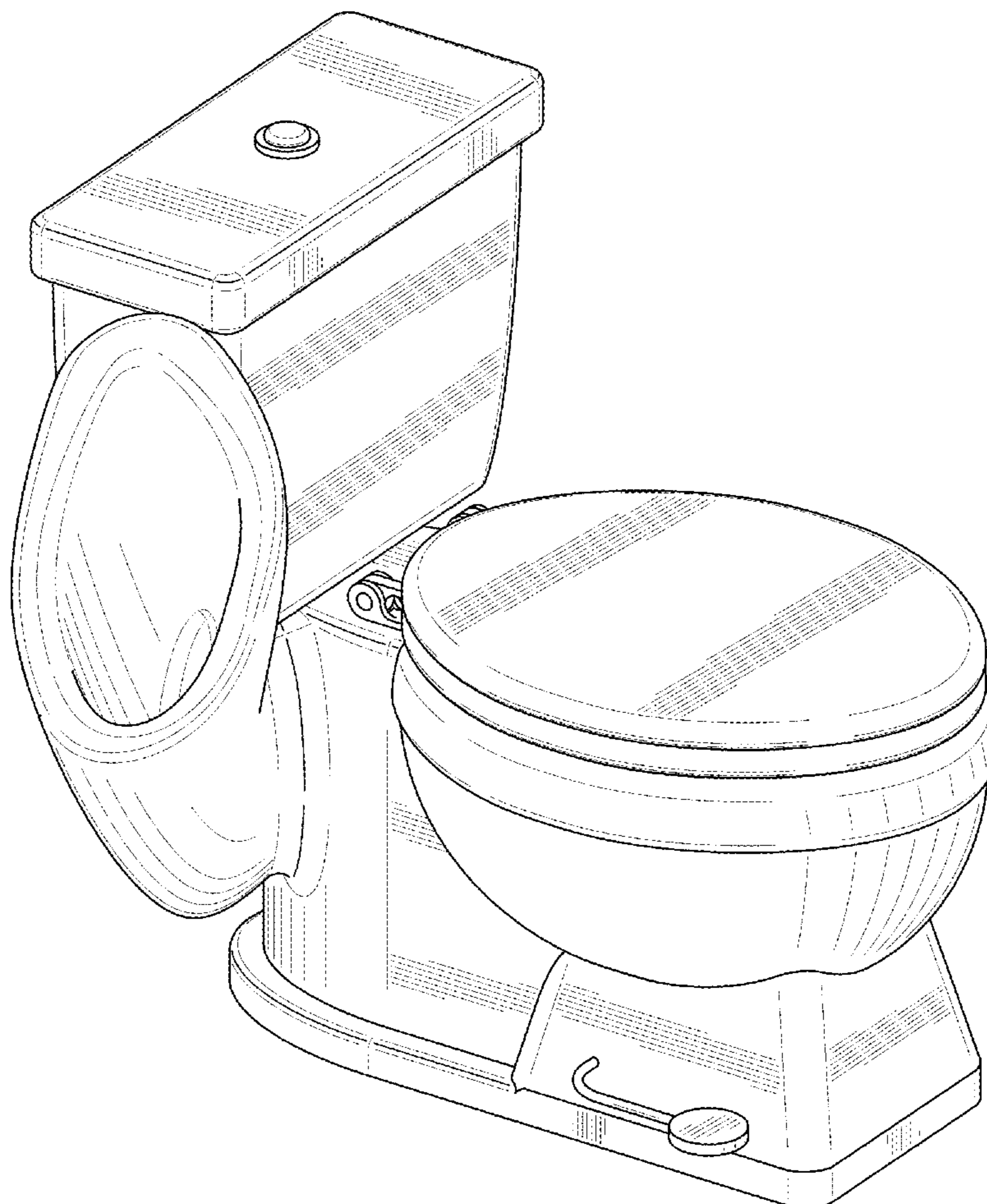
(57) **CLAIM**

The ornamental design for a toilet and urinal combination, as shown and described.

DESCRIPTION

FIG. 1 is a front view of a toilet and urinal combination showing my new design;
FIG. 2 is a rear view of the toilet and urinal combination;
FIG. 3 is a right side view of the toilet and urinal combination;
FIG. 4 is a left side view of the toilet and urinal combination;
FIG. 5 is a top view of the toilet and urinal combination;
FIG. 6 is a bottom view of the toilet and urinal combination;
and,
FIG. 7 is a top front side perspective view of the toilet and urinal combination.
The broken lines in FIG. 6 are illustrative of unclaimed structure forming no part of the claimed design.

1 Claim, 7 Drawing Sheets



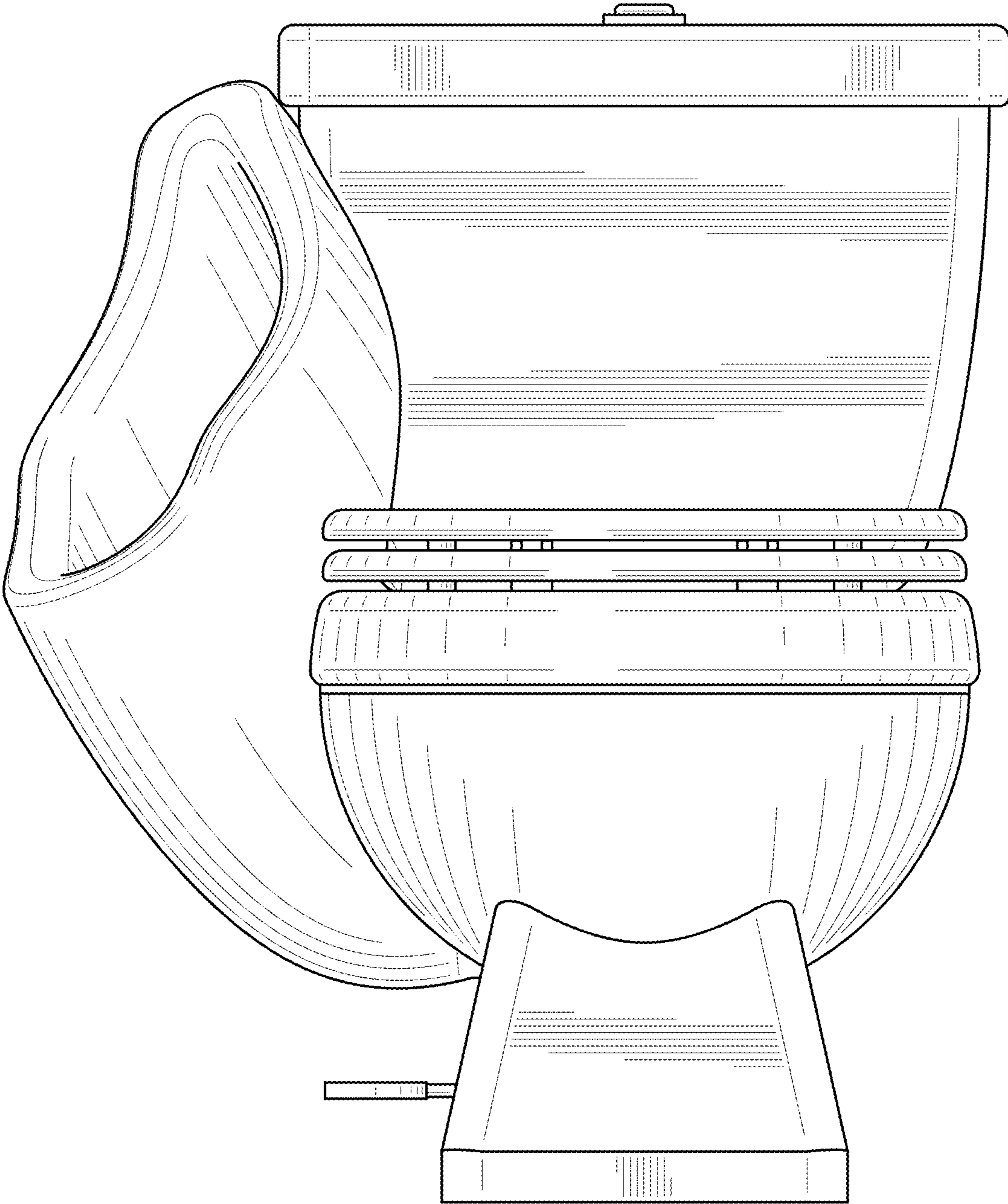


FIG. 1

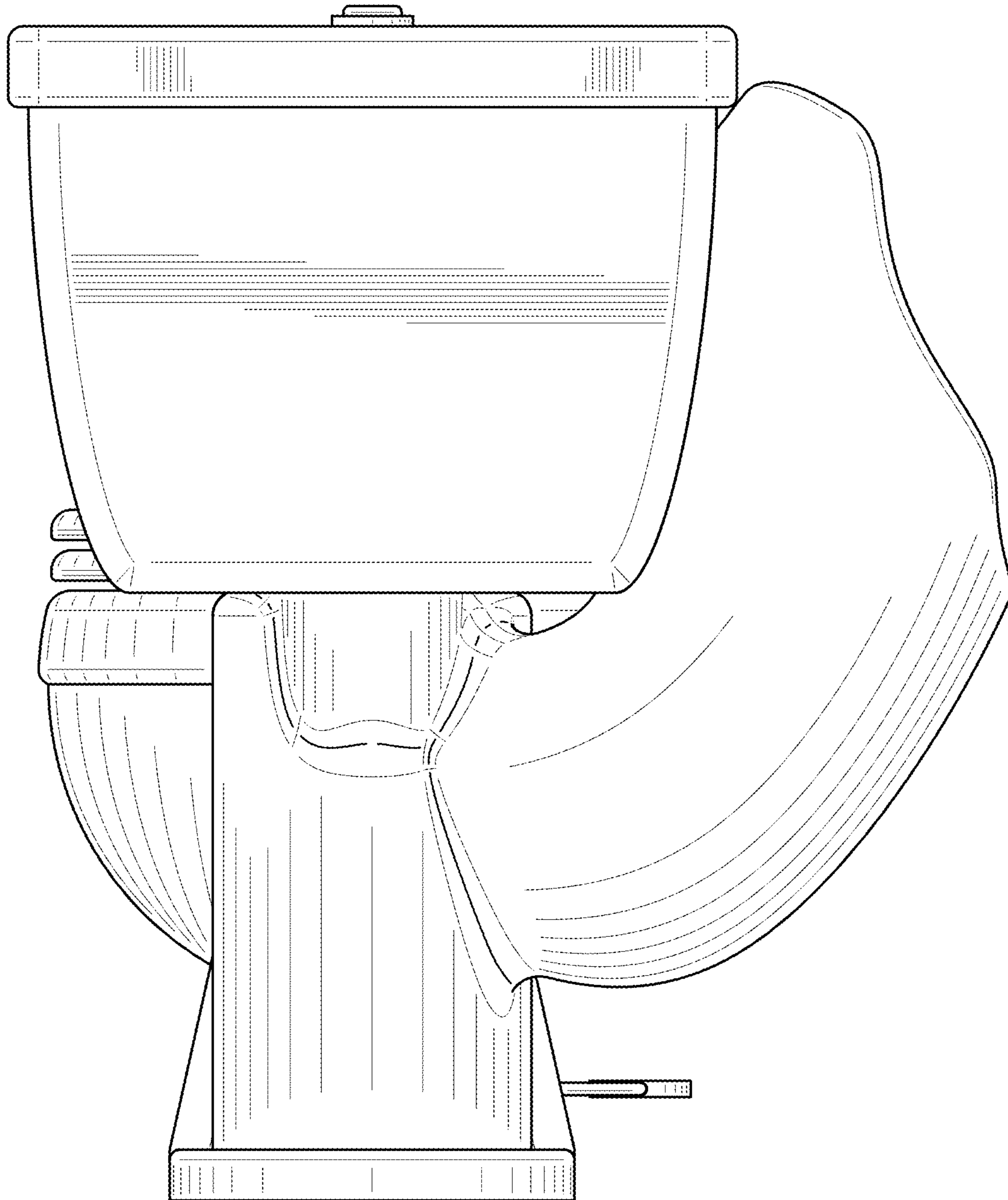


FIG. 2

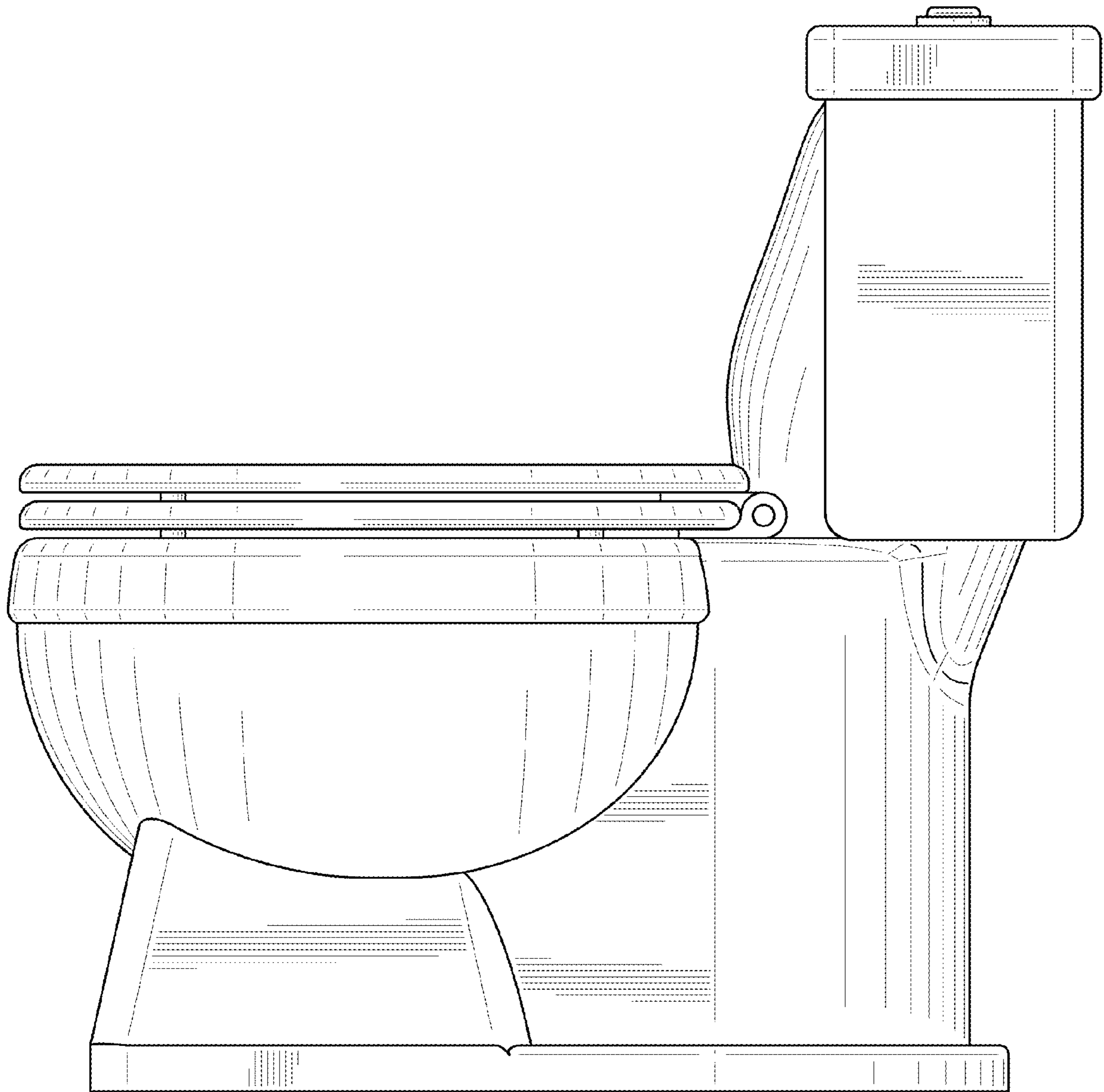


FIG. 3

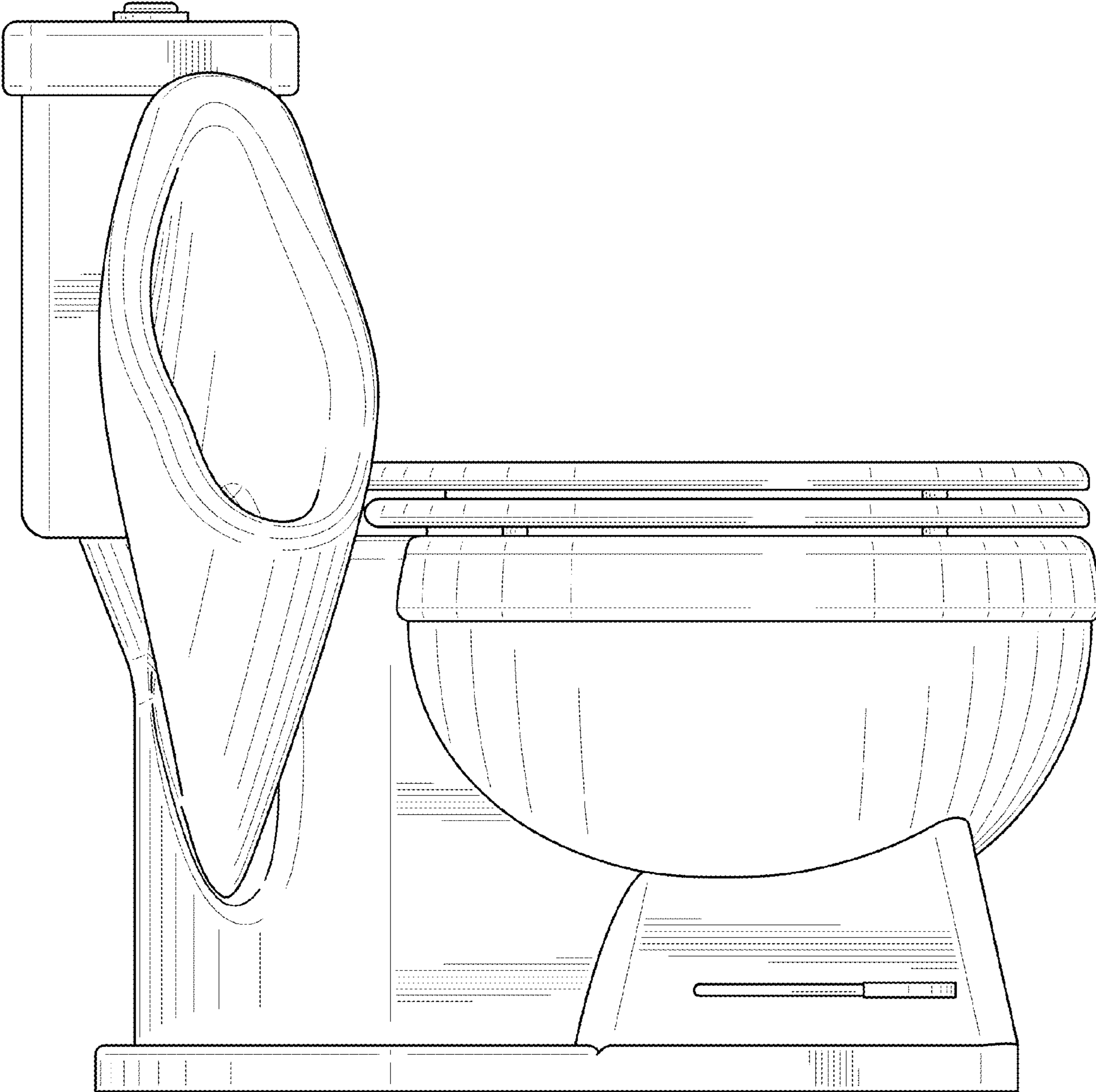


FIG. 4

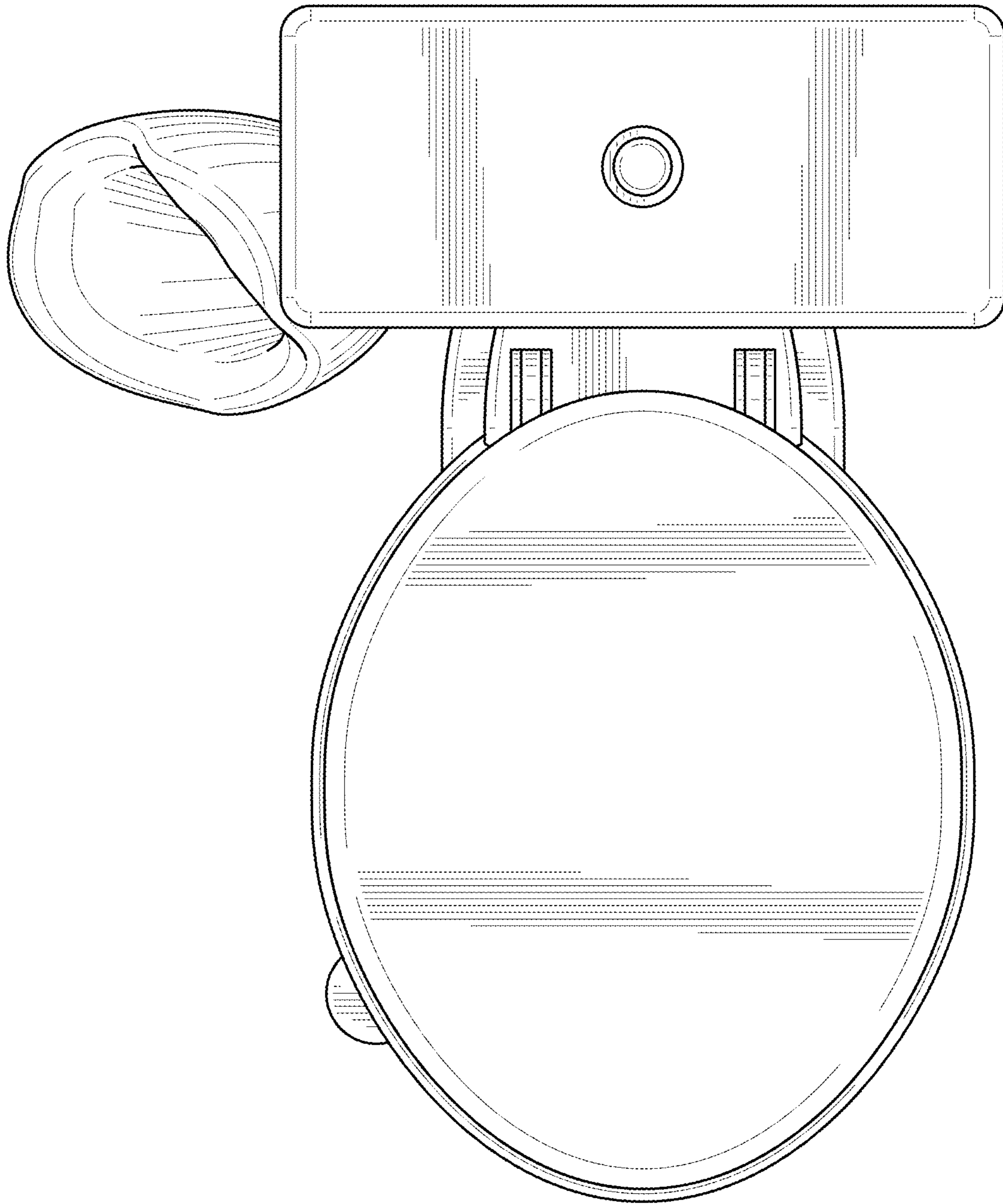


FIG. 5

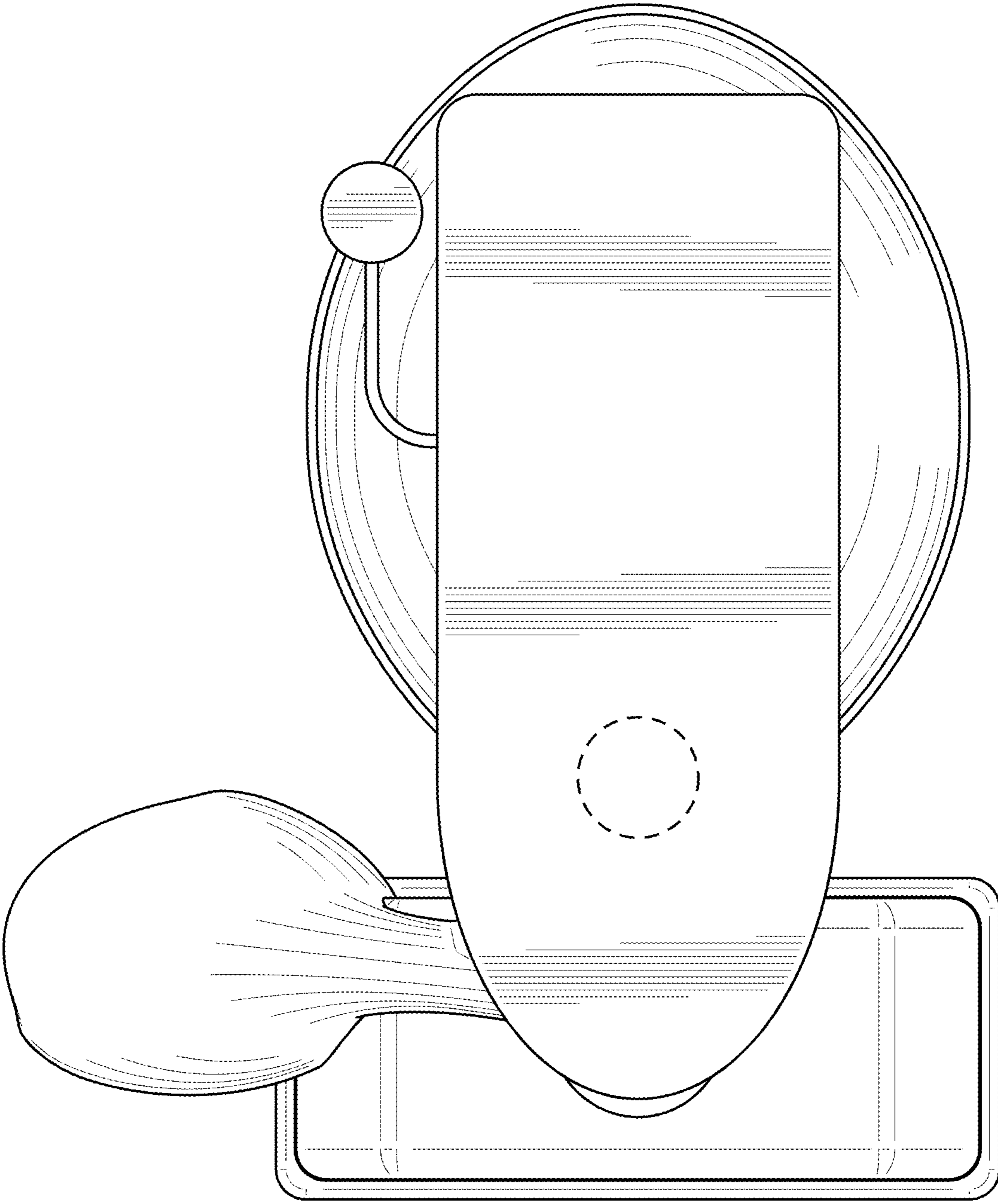


FIG. 6

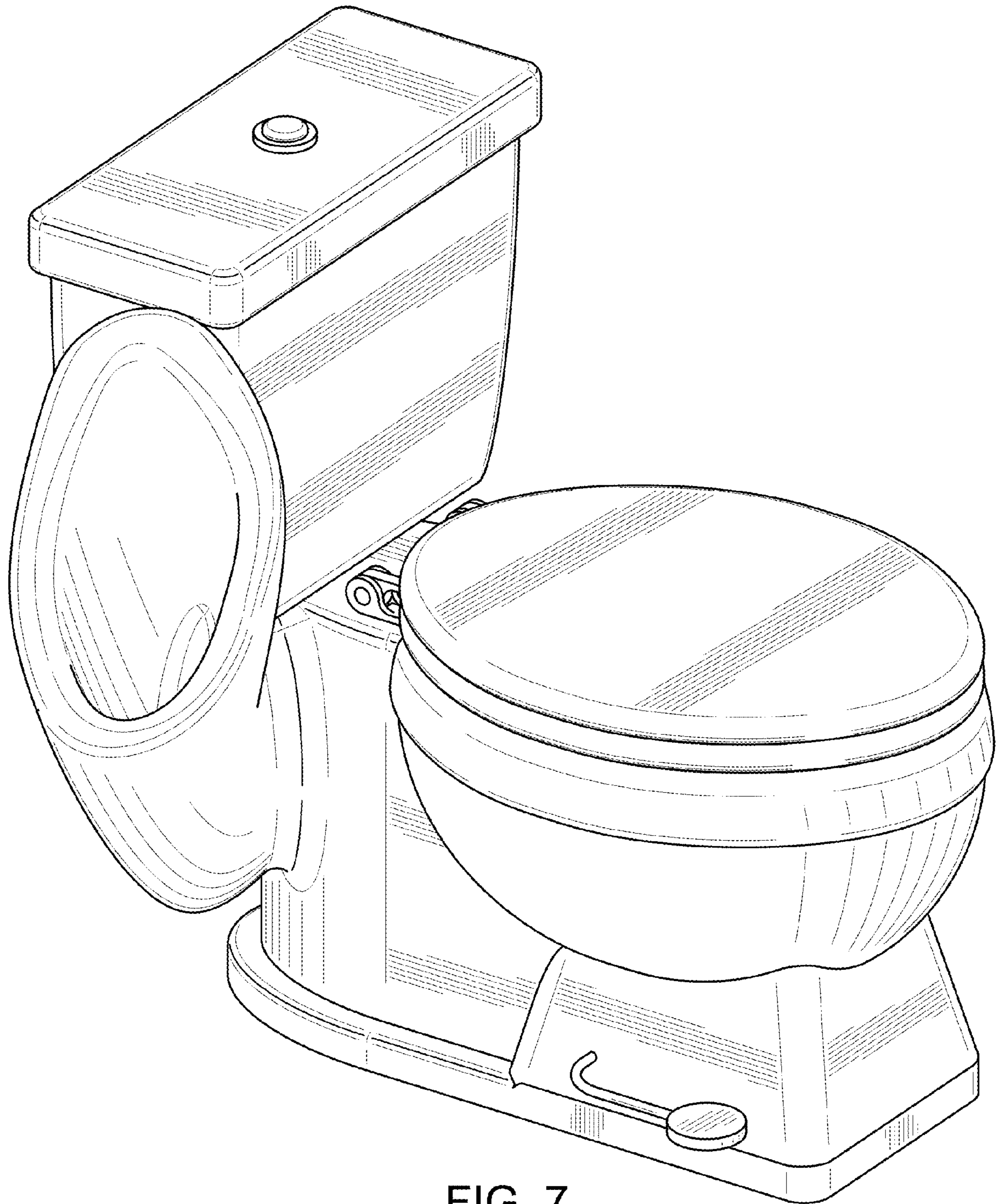


FIG. 7