



US00D932600S

(12) **United States Design Patent** (10) **Patent No.:** **US D932,600 S**
Flaig et al. (45) **Date of Patent:** **** Oct. 5, 2021**

(54) **SINK ASSEMBLY**
(71) Applicant: **Hansgrohe SE**, Schiltach (DE)
(72) Inventors: **Marco Flaig**, Stuttgart (DE); **Matthias Oesterle**, Winterbach (DE)

D727,478 S * 4/2015 Mayer D23/286
D743,515 S * 11/2015 LeTourneau D23/284
D806,512 S * 1/2018 Chow D8/311
D810,245 S * 2/2018 Schoenherr D23/284
D867,553 S * 11/2019 Kergoet D23/284
2020/0284002 A1* 9/2020 Armbruster E03C 1/18
2020/0284003 A1* 9/2020 Armbruster E03C 1/14

(73) Assignee: **Hansgrohe SE**, Schiltach (DE)

FOREIGN PATENT DOCUMENTS

(**) Term: **15 Years**

CN 302579736 S 9/2013
EM 001866179-0003 11/2013
EM 002643106-0002 3/2015

(21) Appl. No.: **29/704,462**

* cited by examiner

(22) Filed: **Sep. 5, 2019**

Primary Examiner — Robert A Delehanty

(30) **Foreign Application Priority Data**

(74) *Attorney, Agent, or Firm* — Lora J. Graentzdoerffer

Mar. 8, 2019 (EM) 006293734-0024

(57) **CLAIM**

(51) **LOC (13) Cl.** **23-02**

The ornamental design for a sink assembly, as shown and described.

(52) **U.S. Cl.**

USPC **D23/284**

DESCRIPTION

(58) **Field of Classification Search**

USPC ... D23/284, 286–287, 290, 292, 293.1, 308;
D8/310

CPC A47K 1/04; A47B 77/06

See application file for complete search history.

FIG. 1 is a perspective view of a sink assembly showing our design;
FIG. 2 is a front elevation view;
FIG. 3 is a rear elevation view;
FIG. 4 is a right side elevation view;
FIG. 5 is a left side elevation view;
FIG. 6 is a top plan view; and,
FIG. 7 is a bottom plan view.

(56) **References Cited**

U.S. PATENT DOCUMENTS

D486,895 S * 2/2004 Brooks D23/308
D587,788 S * 3/2009 Kergoet D23/284
D588,677 S * 3/2009 Drake D23/284
D655,786 S * 3/2012 Fukasawa D23/242
D699,823 S * 2/2014 Newson D23/284

The broken-line disclosures in the view represents portions of the sink assembly in which the claimed design is embodied, but which forms no part of the claimed design.

1 Claim, 7 Drawing Sheets

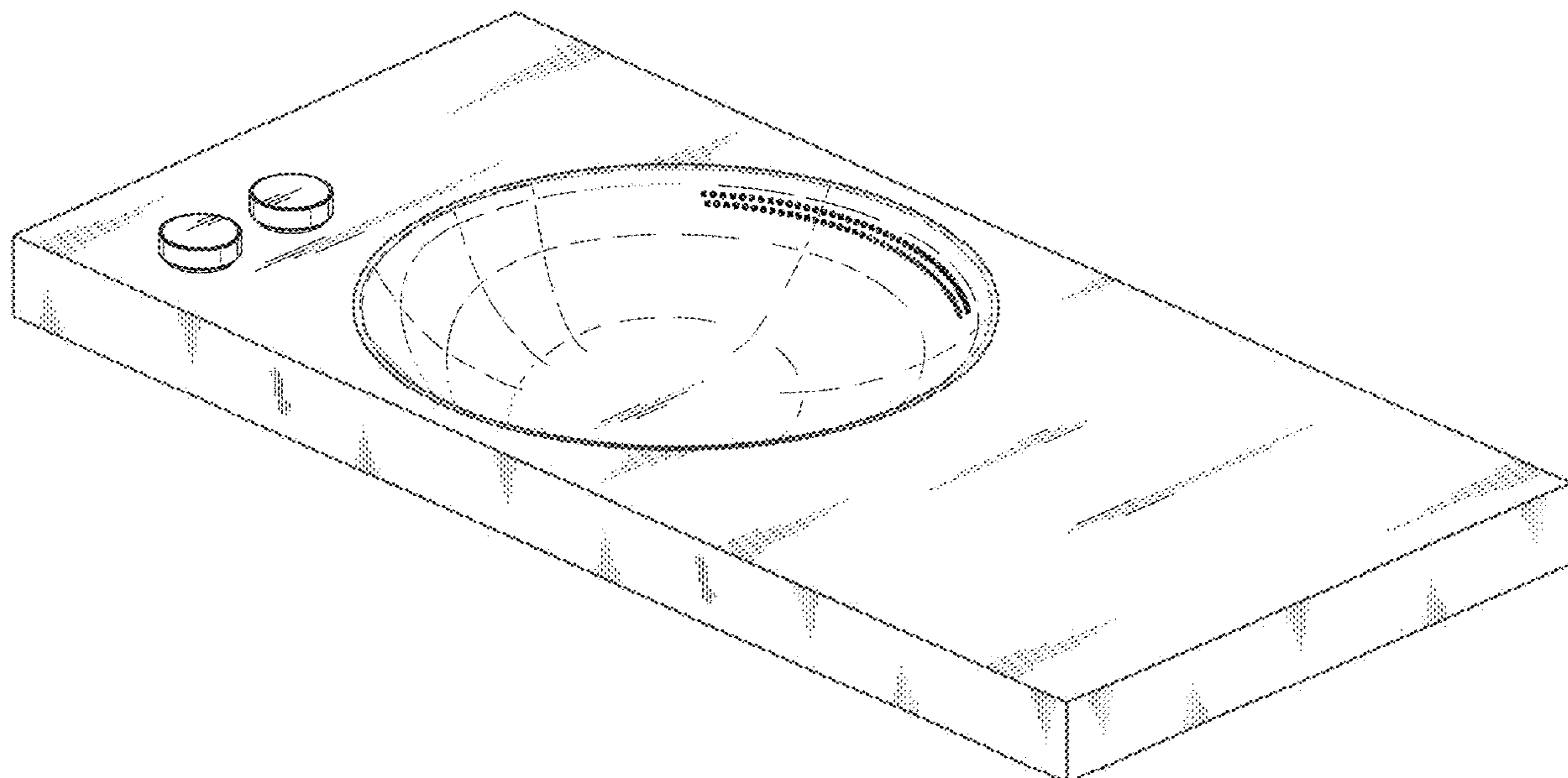


FIG. 1

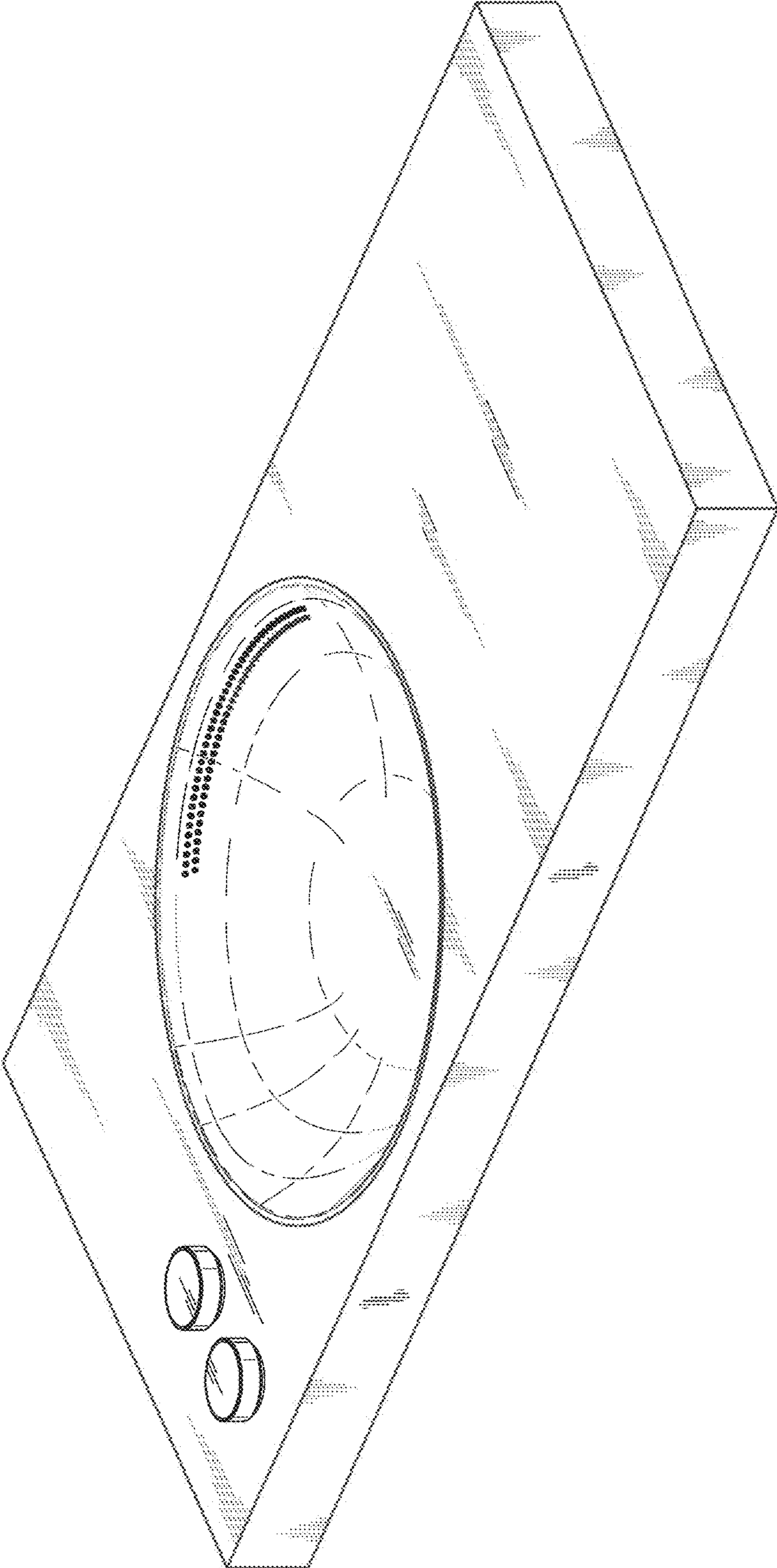


FIG. 2

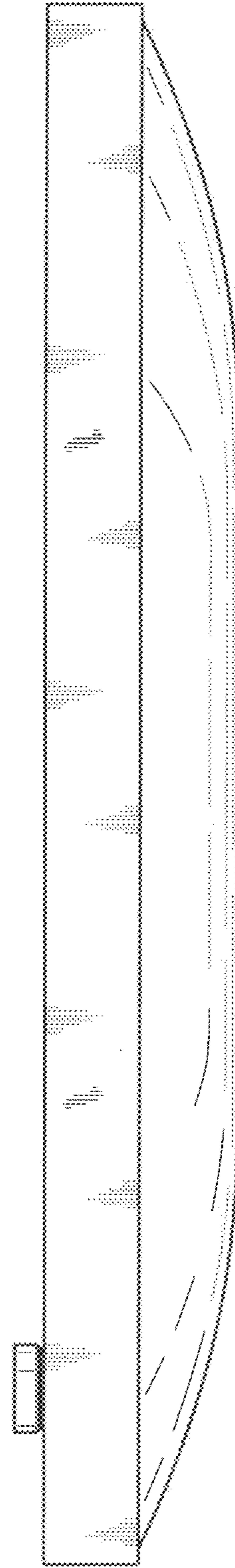


FIG. 3

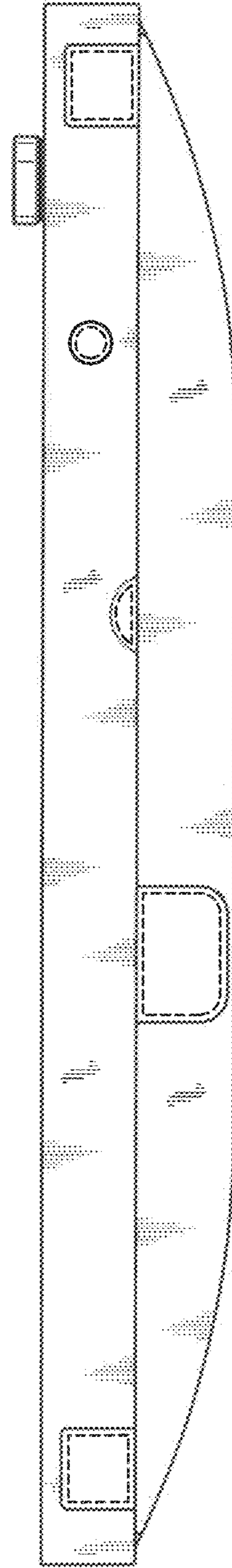


FIG. 4

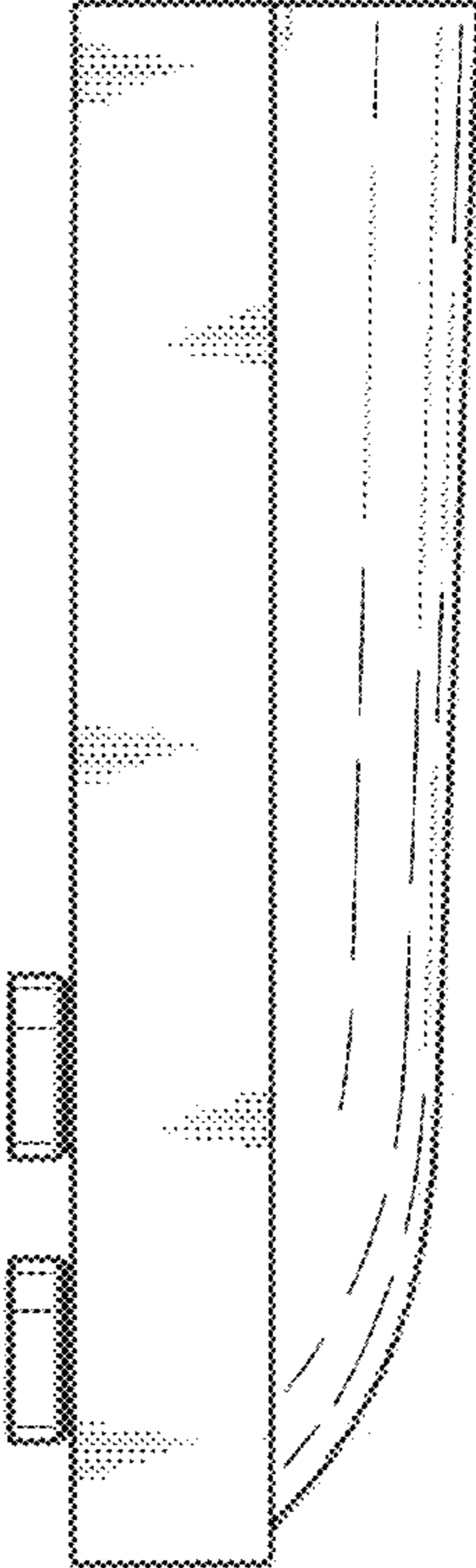


FIG. 5

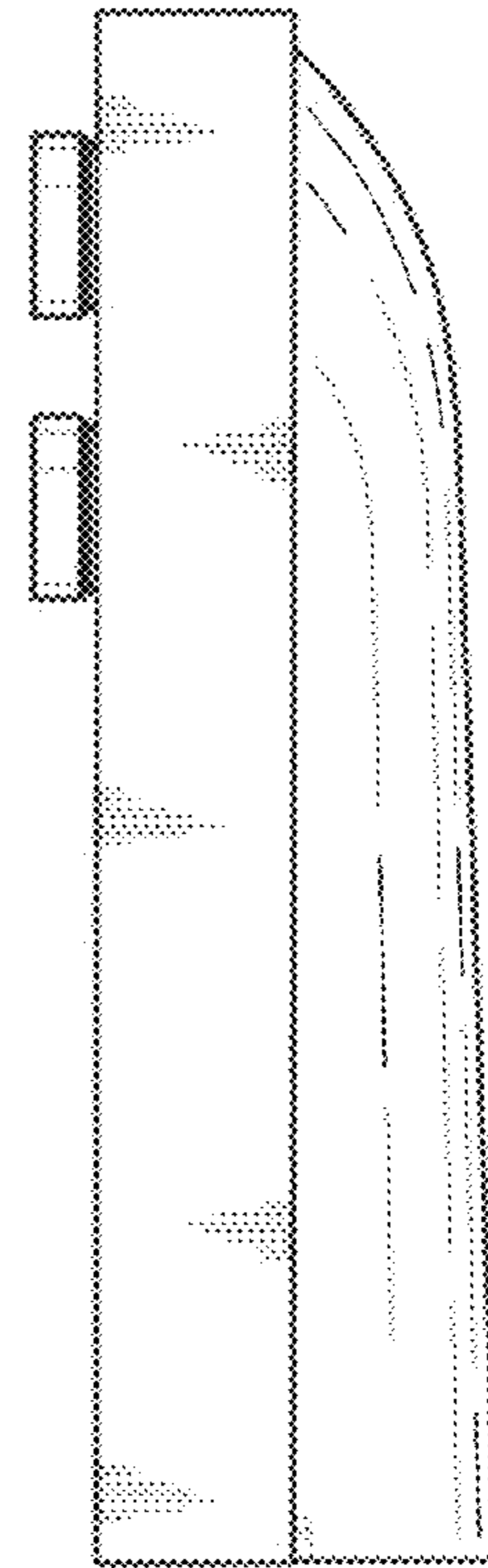


FIG. 6

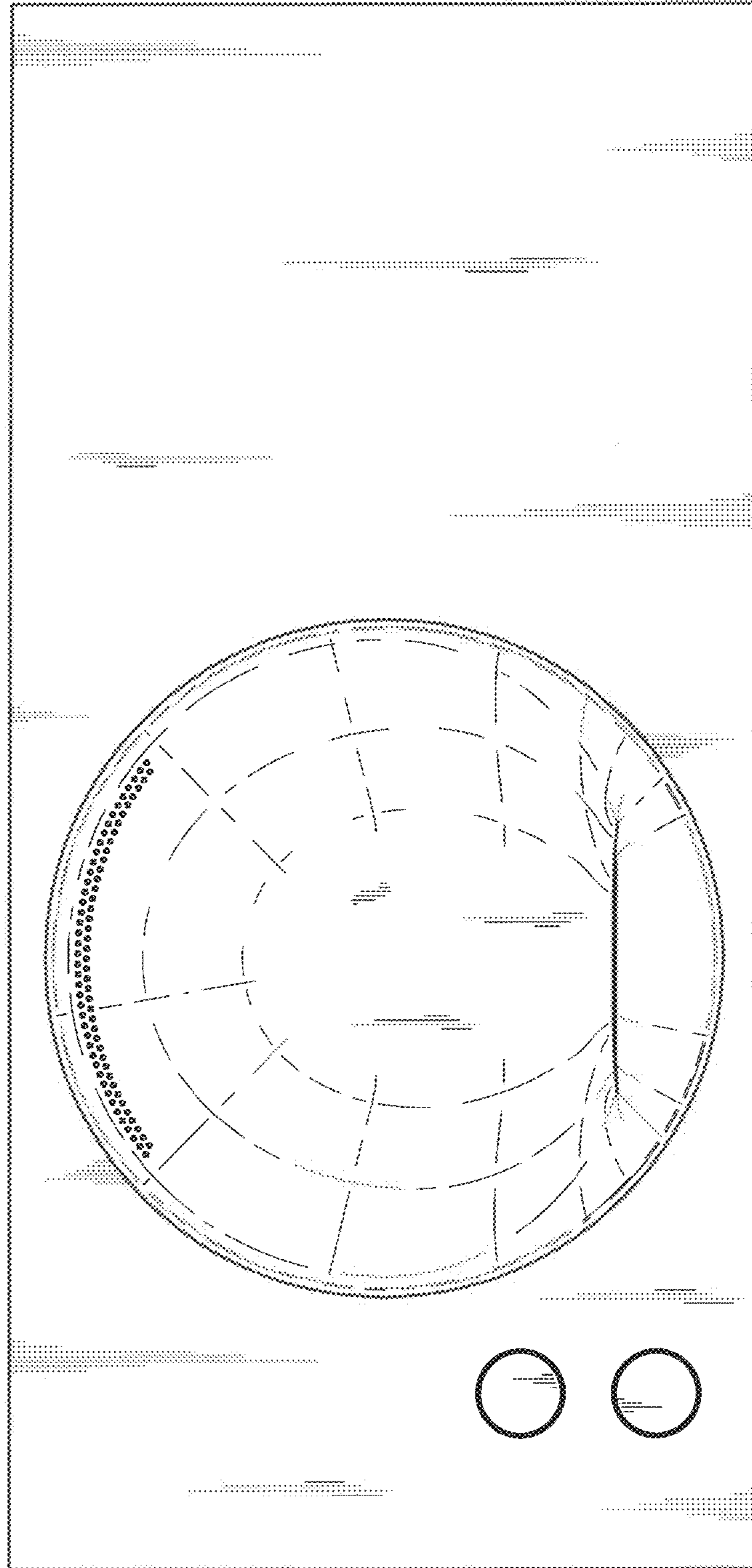


FIG. 7

