



US00D932599S

(12) **United States Design Patent** (10) **Patent No.:** **US D932,599 S**  
**Flaig et al.** (45) **Date of Patent:** **\*\* Oct. 5, 2021**

(54) **SINK ASSEMBLY**  
(71) Applicant: **Hansgrohe SE**, Schiltach (DE)  
(72) Inventors: **Marco Flaig**, Stuttgart (DE); **Matthias Oesterle**, Winterbach (DE)  
(73) Assignee: **Hansgrohe SE**, Schiltach (DE)  
(\*\*) Term: **15 Years**  
(21) Appl. No.: **29/704,444**  
(22) Filed: **Sep. 5, 2019**

D727,478 S \* 4/2015 Mayer ..... D23/286  
D743,515 S \* 11/2015 LeTourneau ..... D23/284  
D867,553 S \* 11/2019 Kergoet ..... D23/284  
2020/0284002 A1\* 9/2020 Armbruster ..... E03C 1/18  
2020/0284003 A1\* 9/2020 Armbruster ..... E03C 1/14

**FOREIGN PATENT DOCUMENTS**

EM 001866179-0003 11/2013  
EM 002643106-0002 3/2015

\* cited by examiner

*Primary Examiner* — Robert A Delehanty

(74) *Attorney, Agent, or Firm* — Lora J Graentzdoerffer

(30) **Foreign Application Priority Data**

Mar. 8, 2019 (EM) ..... 006293734-0002

(51) **LOC (13) Cl.** ..... **23-02**

(52) **U.S. Cl.**  
USPC ..... **D23/284**

(58) **Field of Classification Search**  
USPC ..... D23/284, 286-287, 290, 292, 293.1, 308  
CPC ..... A47K 1/04; A47B 77/06  
See application file for complete search history.

(56) **References Cited**

**U.S. PATENT DOCUMENTS**

D486,895 S \* 2/2004 Brooks ..... D23/308  
D587,788 S \* 3/2009 Kergoet ..... D23/284  
D588,677 S \* 3/2009 Drake ..... D23/284  
D699,823 S \* 2/2014 Newson ..... D23/284

(57) **CLAIM**

The ornamental design for a sink assembly, as shown and described.

**DESCRIPTION**

FIG. 1 is a perspective view of a sink assembly showing our design;

FIG. 2 is a front elevation view;

FIG. 3 is a rear elevation view;

FIG. 4 is a side elevation view;

FIG. 5 is a top plan view; and,

FIG. 6 is a bottom plan view.

The broken-line disclosures in the view represents portions of the sink assembly in which the claimed design is embodied, but which forms no part of the claimed design.

**1 Claim, 6 Drawing Sheets**

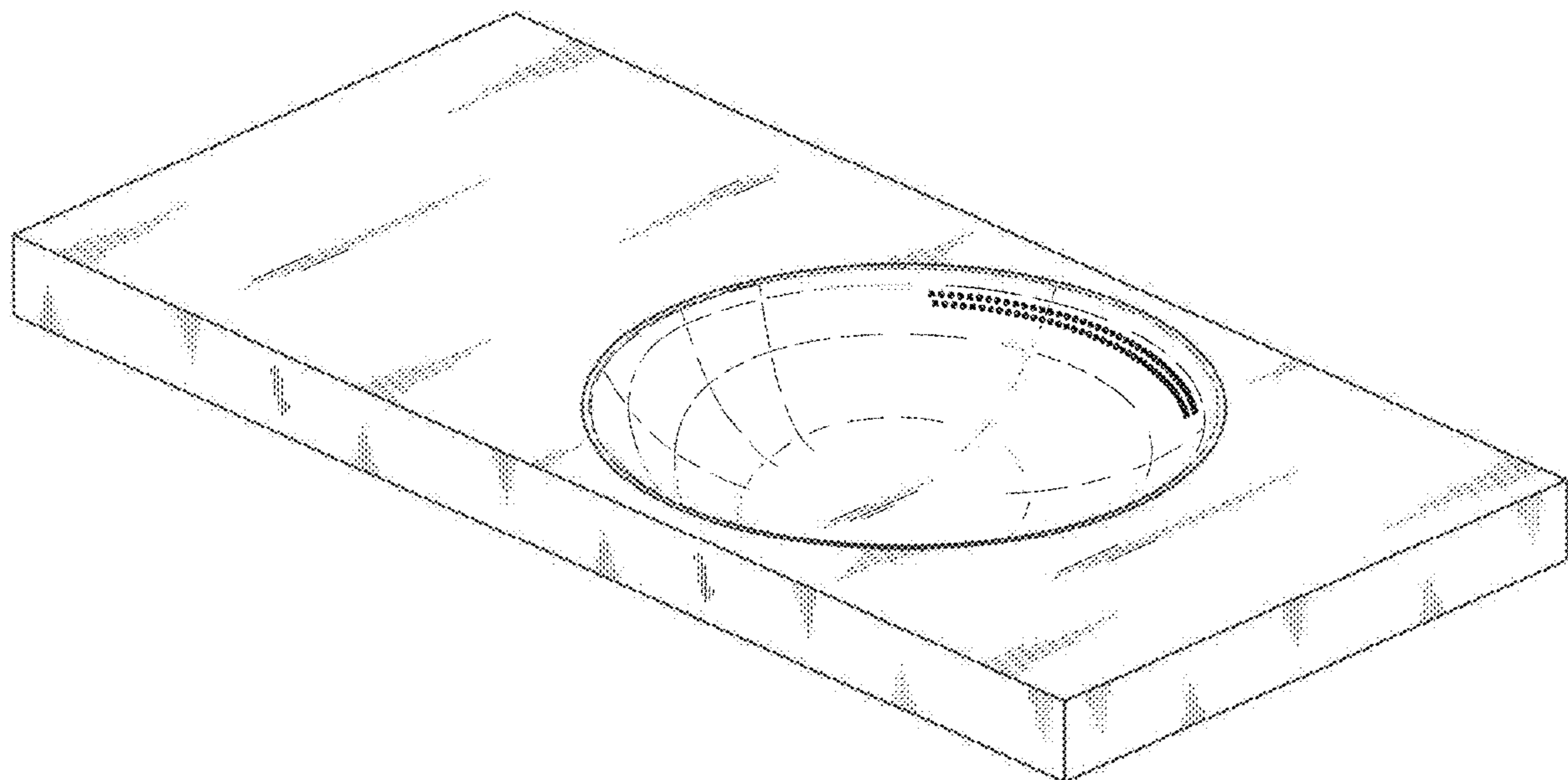


FIG. 1

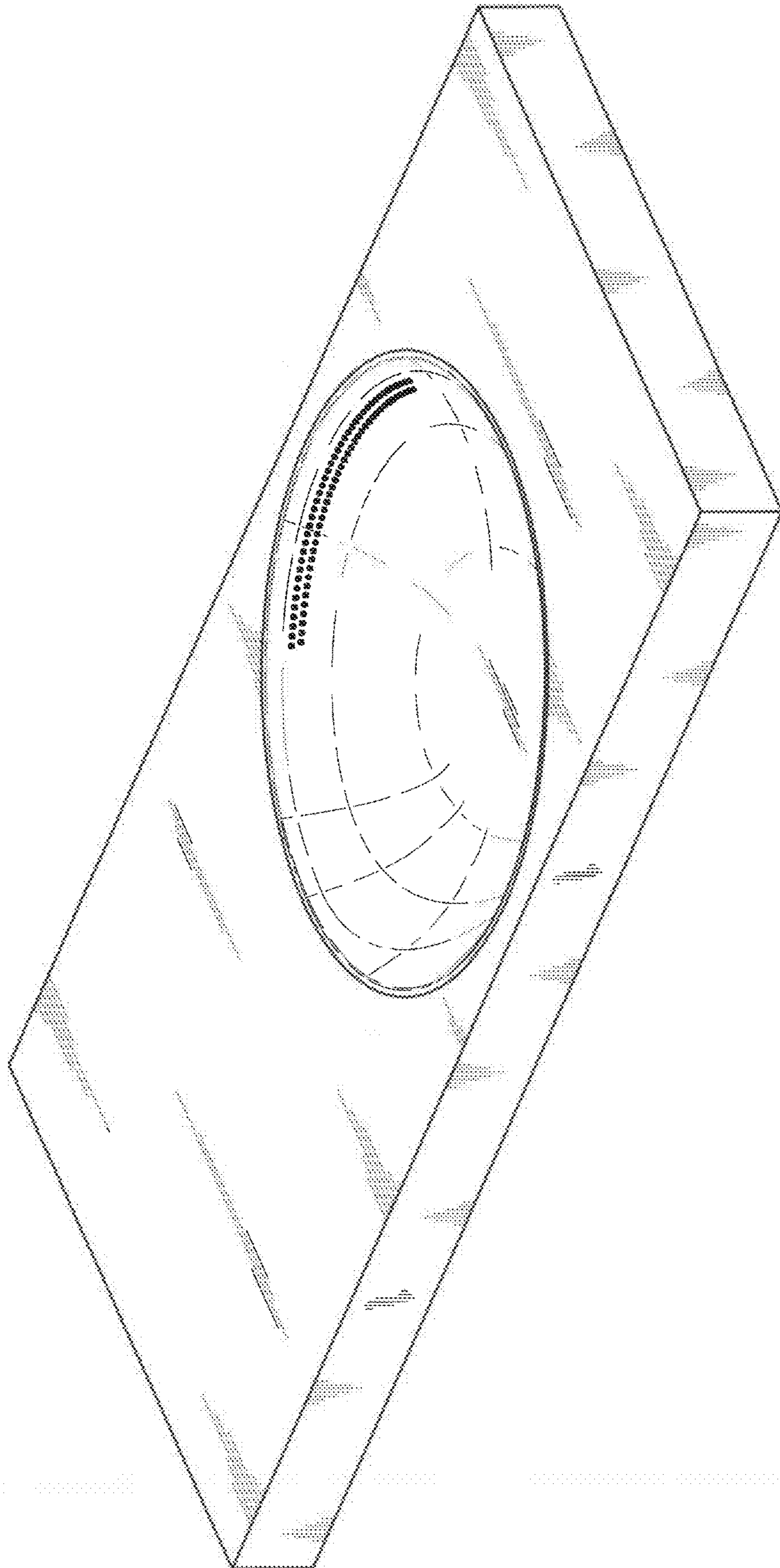


FIG. 2

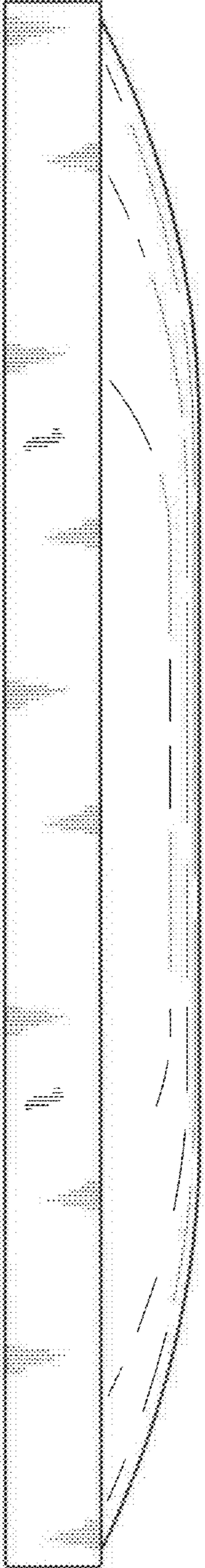


FIG. 3

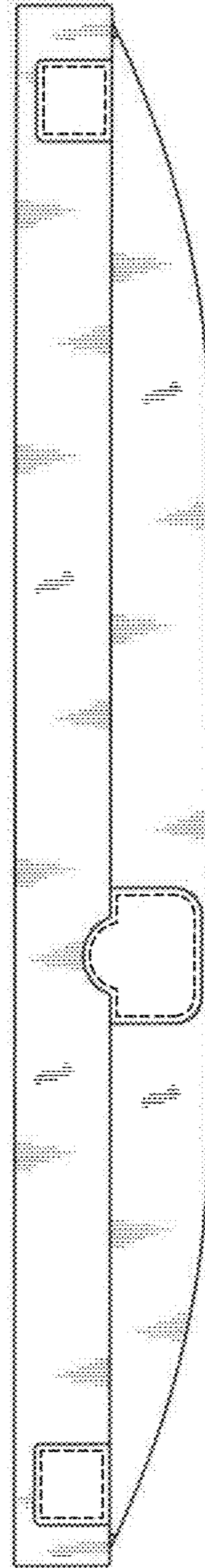




FIG. 4

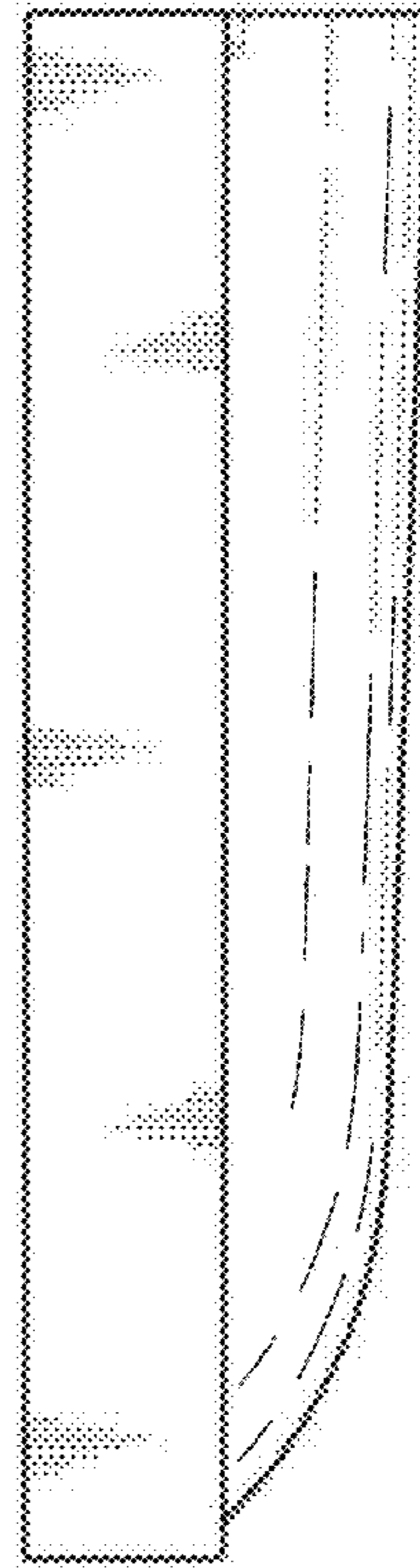


FIG. 5

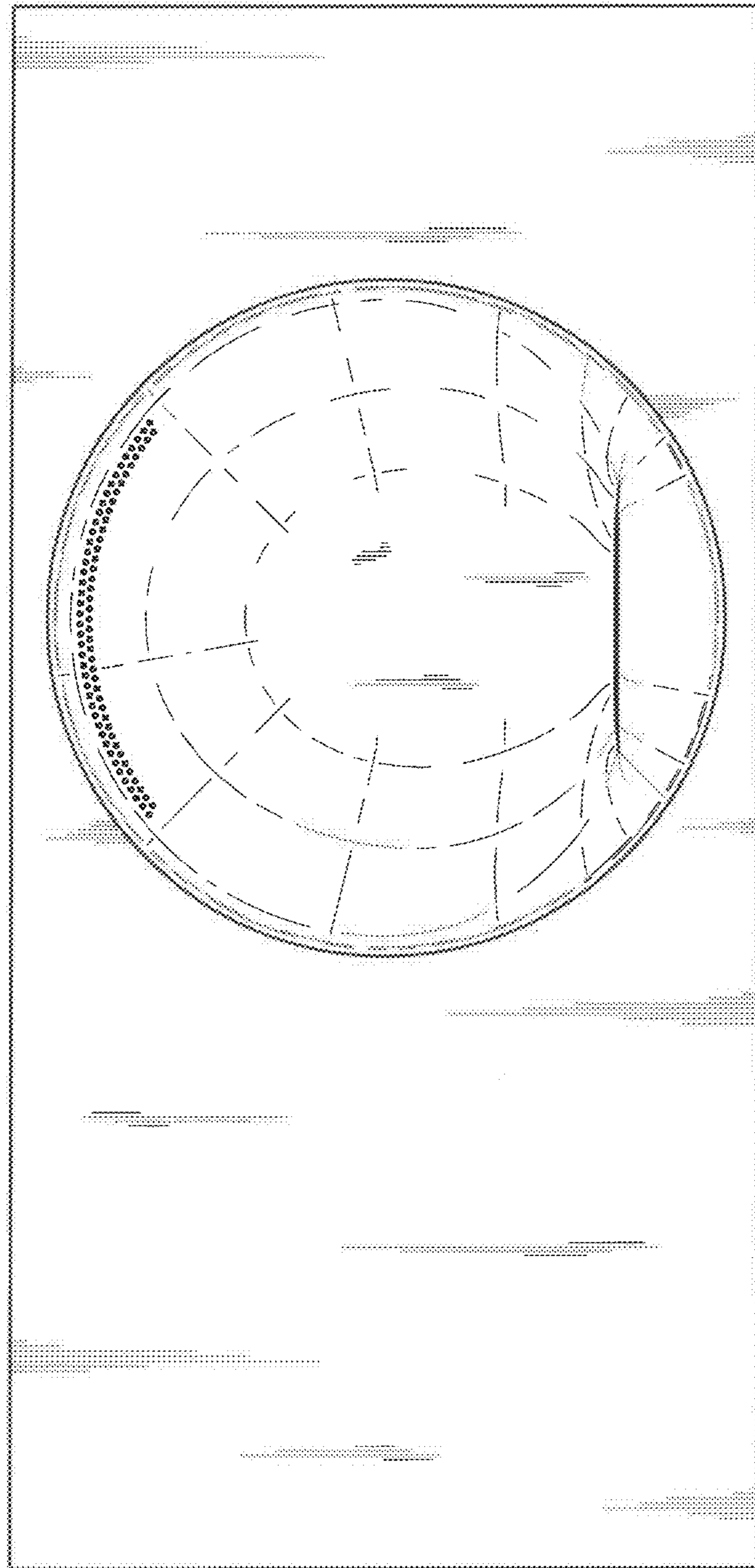


FIG. 6

