



US00D932598S

(12) **United States Design Patent**
Doerr et al.

(10) **Patent No.:** **US D932,598 S**

(45) **Date of Patent:** **** Oct. 5, 2021**

(54) **TORQUE PLATE**

(71) Applicant: **Barnard Construction Company, Incorporated, Bozeman, MT (US)**

(72) Inventors: **John A. Doerr, Belgrade, MT (US);
Dustin T. Hack, Plainfield, IL (US);
Tyler J Askin, Bozeman, MT (US)**

(**) Term: **15 Years**

(21) Appl. No.: **29/730,111**

(22) Filed: **Apr. 1, 2020**

(51) **LOC (13) Cl.** **23-01**

(52) **U.S. Cl.**
USPC **D23/269**

(58) **Field of Classification Search**
USPC D13/149, 173; D15/1, 2, 5, 6, 7, 10,
D15/122, 141, 143, 199; D23/269
CPC E05B 63/16; E05B 17/2092; E05B 55/005;
E05C 1/163
See application file for complete search history.

(56) **References Cited**

U.S. PATENT DOCUMENTS

D514,671 S	*	2/2006	Jones	D23/269
D556,866 S	*	12/2007	Darce	D23/269
D556,867 S	*	12/2007	Darce	D23/269
D557,386 S	*	12/2007	Darce	D23/269

D557,387 S	*	12/2007	Darce	D23/269
D557,771 S	*	12/2007	Darce	D23/269
D558,310 S	*	12/2007	Quesada	D23/269
D559,363 S	*	1/2008	Darce	D23/269
D574,934 S	*	8/2008	Darce	D23/269
D875,899 S	*	2/2020	Yoshida	D23/269
D875,900 S	*	2/2020	Yoshida	D23/269
D886,253 S	*	6/2020	Brown	D23/269
D888,206 S	*	6/2020	Pytlewski	D23/269
D901,286 S	*	11/2020	Ramirez	D8/395
D917,026 S	*	4/2021	Pacheco	D23/269

* cited by examiner

Primary Examiner — Michael C Stout

Assistant Examiner — Fritzgerald L Butac

(74) *Attorney, Agent, or Firm* — Antoinette M. Tease

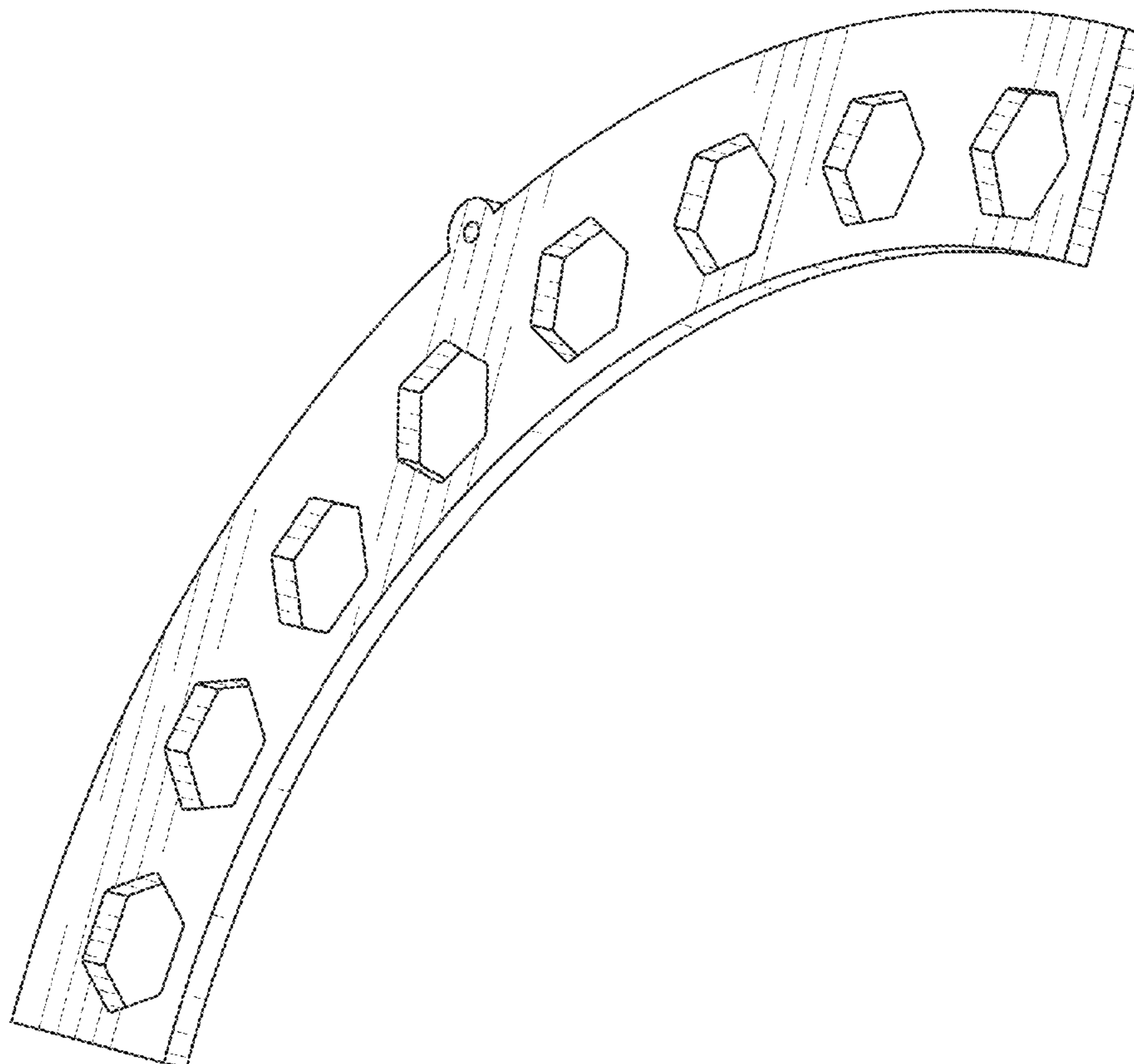
(57) **CLAIM**

The design for a torque plate, as shown and described.

DESCRIPTION

FIG. 1 is a perspective view of the torque plate.
FIG. 2 is a front view of the torque plate.
FIG. 3 is a rear view of the torque plate.
FIG. 4 is a first side view of the torque plate.
FIG. 5 is a second side view of the torque plate.
FIG. 6 is a top view of the torque plate; and,
FIG. 7 is a bottom view of the torque plate.
The broken lines are for illustration only and form no part of the claimed design.

1 Claim, 5 Drawing Sheets



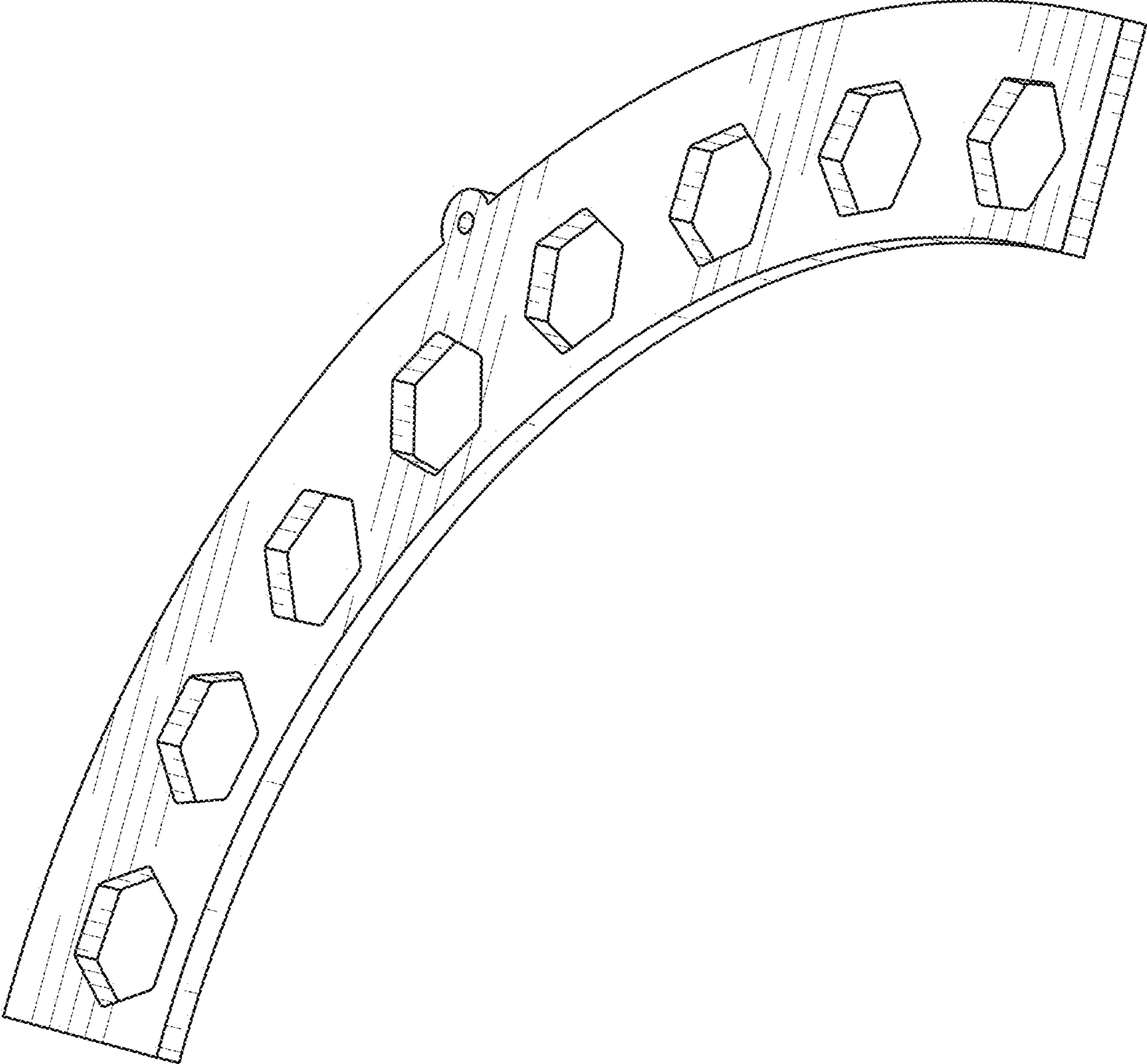


FIG. 1

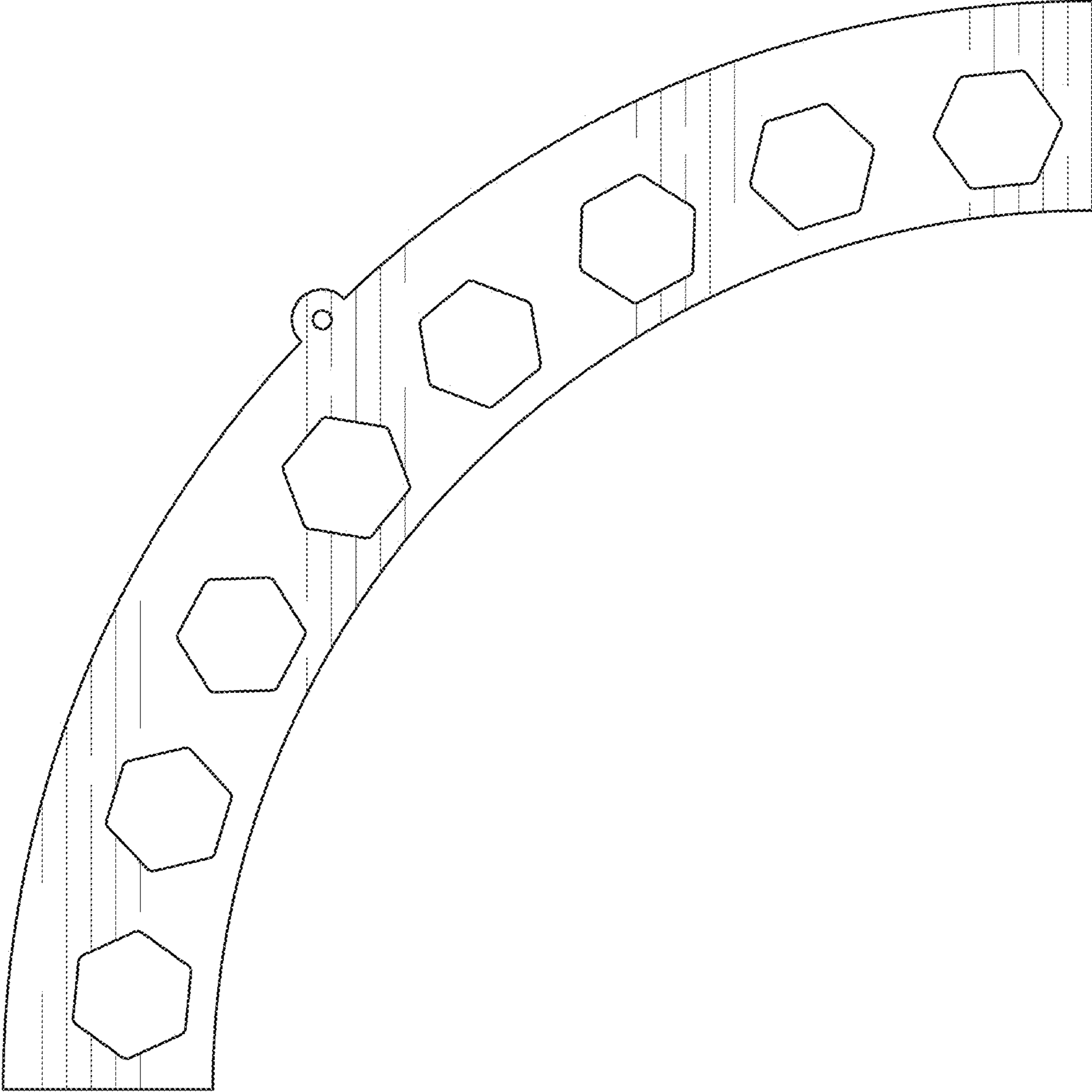


FIG. 2

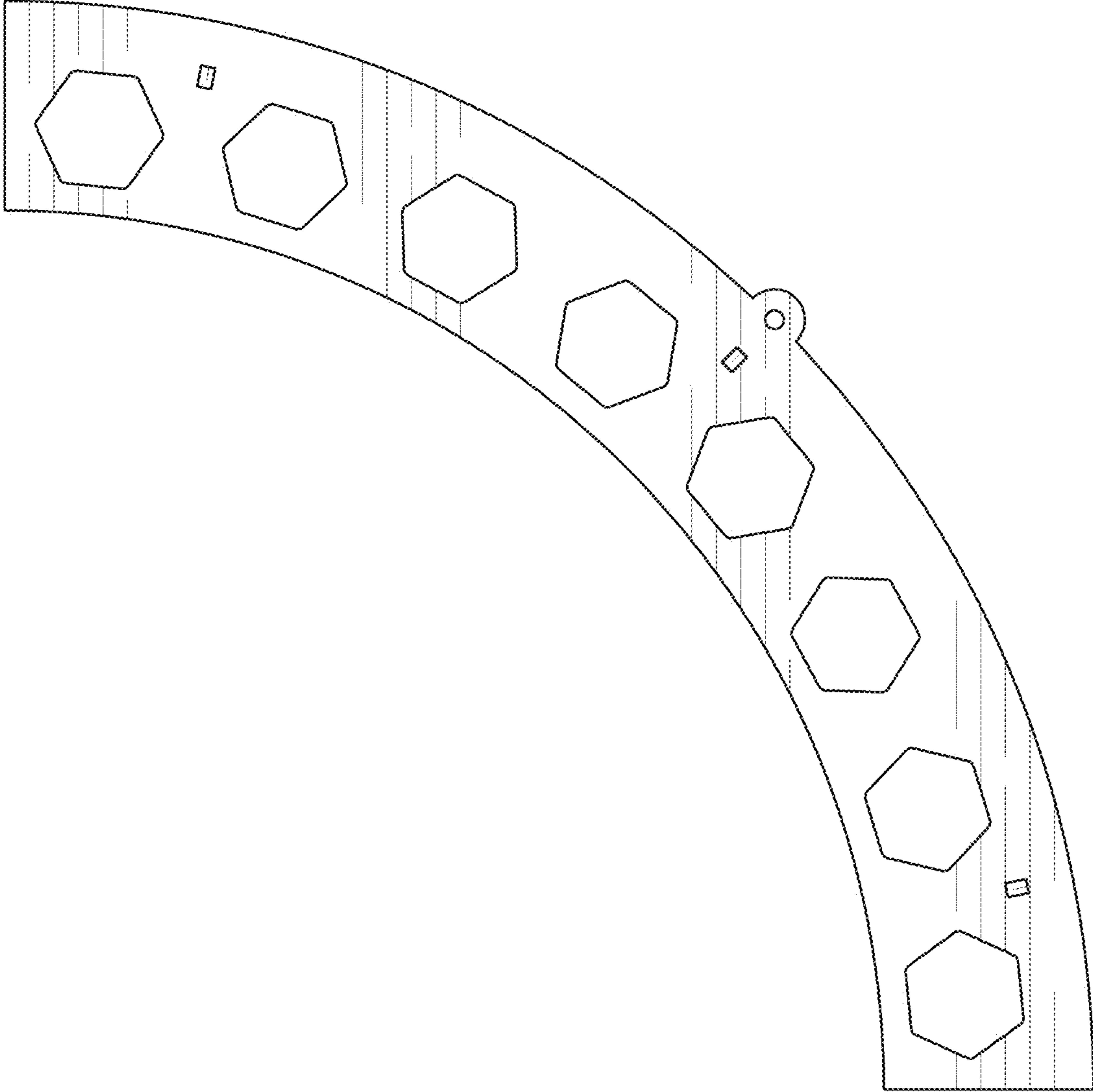


FIG. 3

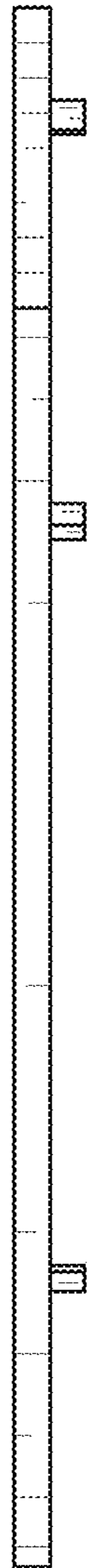


FIG. 4

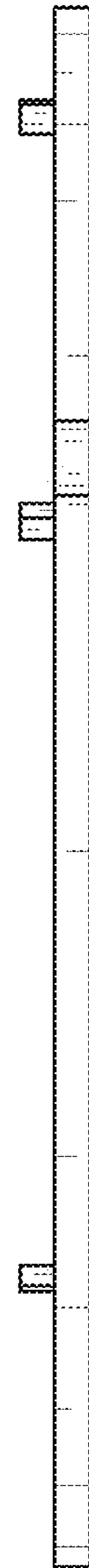


FIG. 5



FIG. 6

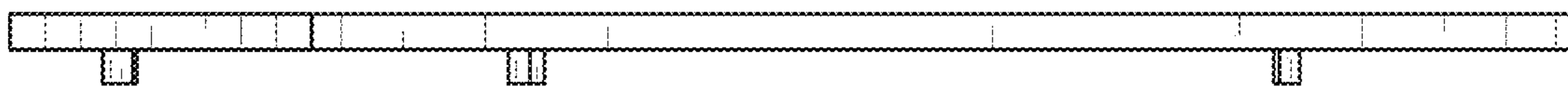


FIG. 7