



US00D932597S

(12) **United States Design Patent**
Cheng

(10) **Patent No.:** **US D932,597 S**

(45) **Date of Patent:** **** Oct. 5, 2021**

(54) **FILTER OF WATER AERATOR**

(71) Applicant: **YUAN MEI CORP.**, Chang Hua Hsien (TW)

(72) Inventor: **Chi Han Cheng**, Chang Hua Hsien (TW)

(73) Assignee: **YUAN MEI CORP.**, Chang Hua Hsien (TW)

(**) Term: **15 Years**

(21) Appl. No.: **29/720,697**

(22) Filed: **Jan. 15, 2020**

(51) **LOC (13) Cl.** **23-01**

(52) **U.S. Cl.**
USPC **D23/261**; D9/447; D9/453

(58) **Field of Classification Search**
USPC D3/201, 202; D7/300, 300.1, 317, 321, D7/392, 392.1, 396.2, 601, 602, 619.1, D7/629; D9/434-436, 440, 443-447, D9/449, 452-454, 499; D23/260, 261, D23/206, 238, 303, 308
CPC B65D 41/0435; B65D 47/121; B65D 47/122; B65D 47/0895; B65D 51/18; B65D 51/242; B65D 53/00; B65D 81/3869

See application file for complete search history.

(56) **References Cited**

U.S. PATENT DOCUMENTS

D92,934 S *	7/1934	Spencer	D11/147
D373,291 S *	9/1996	Auker	D7/667
D410,073 S *	5/1999	Barnett	D23/261
D428,120 S *	7/2000	Zaldivar	D23/261
D654,152 S *	2/2012	Schulz	D23/260
D682,398 S *	5/2013	Lee	D23/261
D718,844 S *	12/2014	Johansen	D23/261

D769,719 S *	10/2016	Lebon	D9/500
D867,134 S *	11/2019	Savenok	D9/447
D868,947 S *	12/2019	Cherng	D23/261
D871,177 S *	12/2019	Pentland	D8/45
D871,559 S *	12/2019	Greskovich	D23/261
D878,538 S *	3/2020	Meeker	D23/366
D881,708 S *	4/2020	Accurso	D9/560
D886,609 S *	6/2020	Accurso	D9/454
D907,748 S *	1/2021	Jones	D23/261

OTHER PUBLICATIONS

Amazon. Raven R1508 2 inch PVC Termination Vent with Stainless Steel Screen, 2". Feb. 17, 2016. <https://www.amazon.com/Raven-R1508-Termination-Stainless-Condensation/dp/B01BW2EXTS> (Year: 2016).*

Amazon. Zurn FD2210-PV3 Adjustable Floor Drain, PCV Body, 3" Solvent Weld Connection. Nov. 4, 2013. <https://amzn.to/3cArpDY> (Year: 2013).*

(Continued)

Primary Examiner — Darcey E Gottschalk
(74) *Attorney, Agent, or Firm* — Muncy, Geissler, Olds and Lowe, P.C.

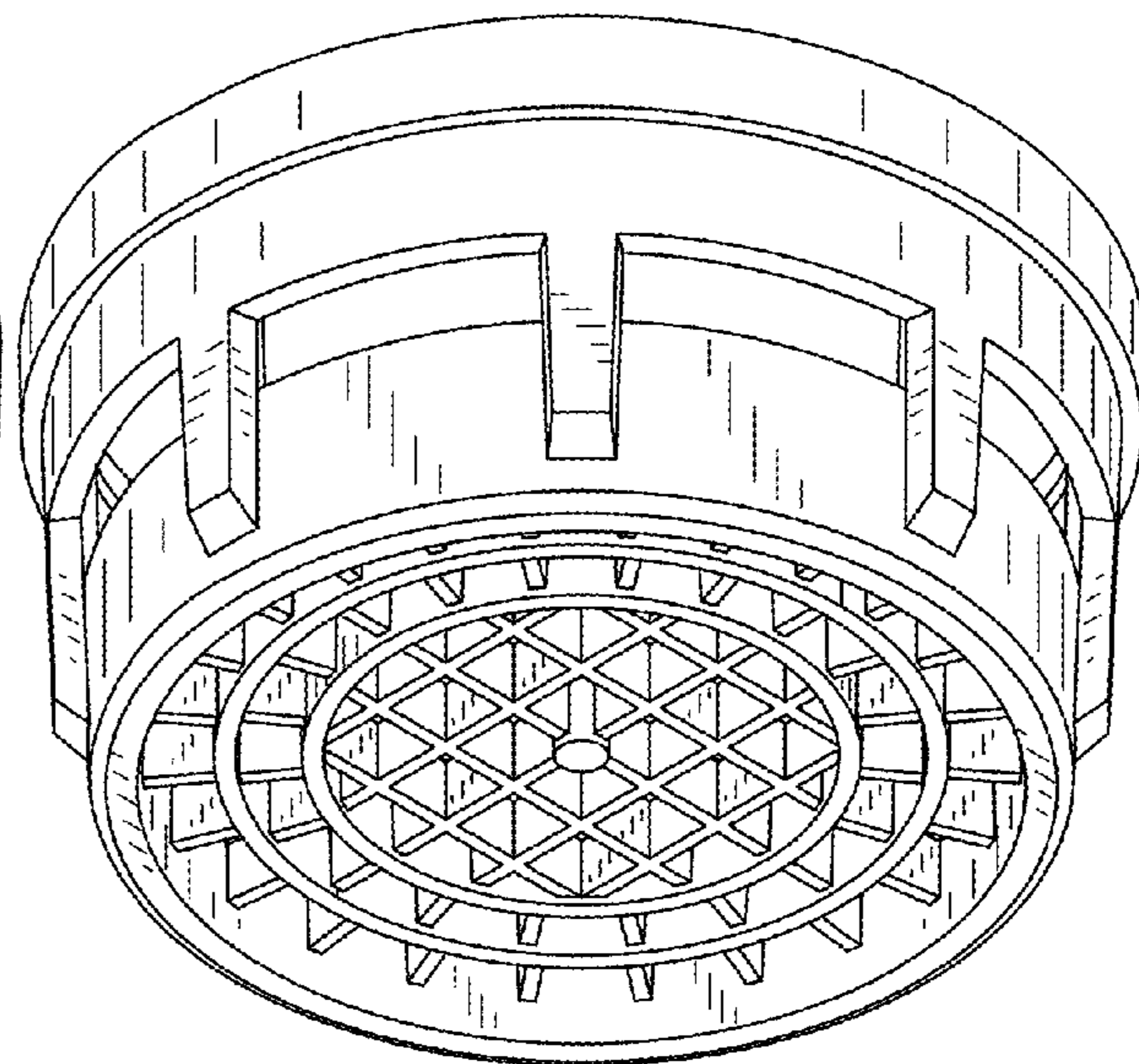
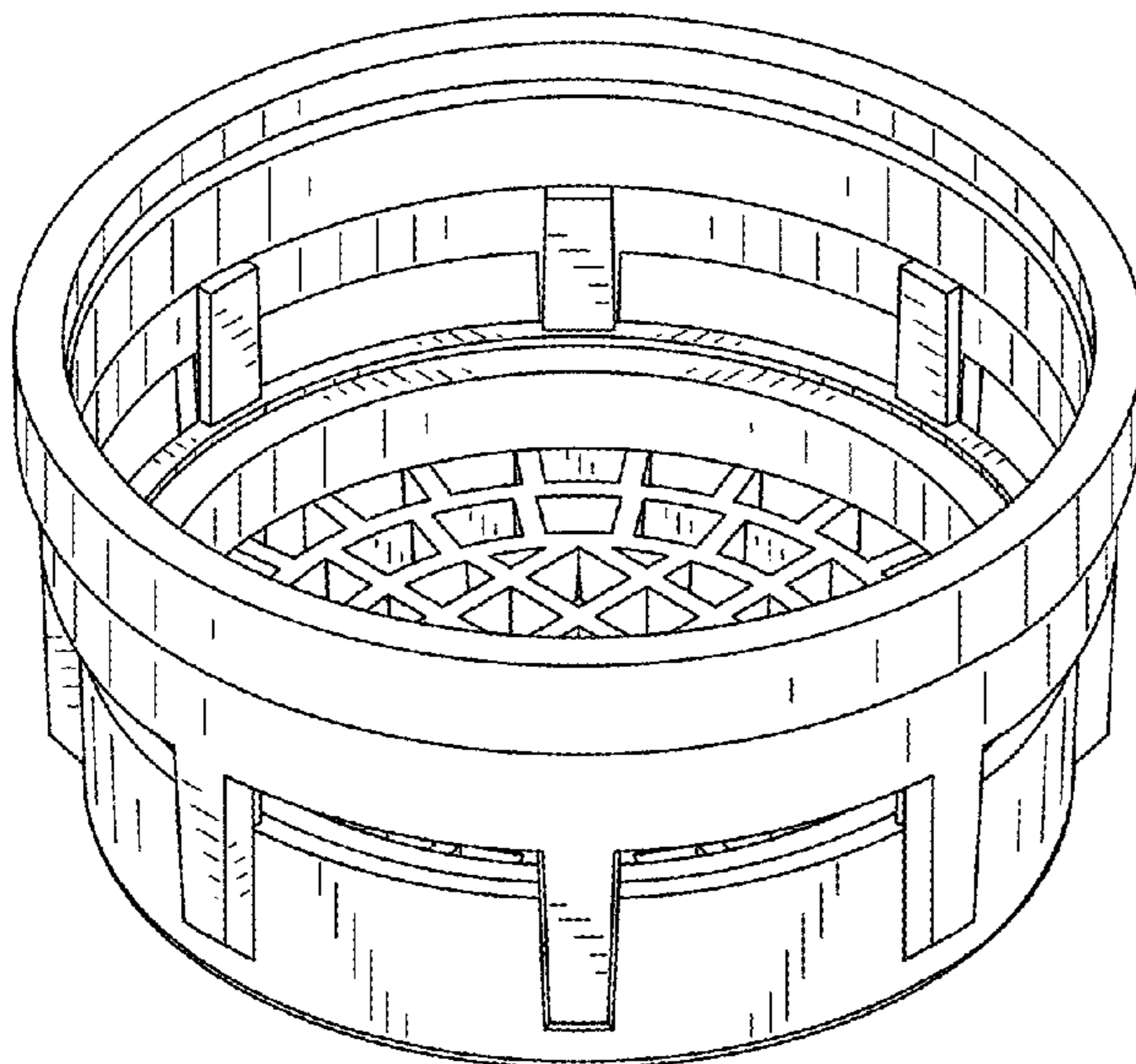
(57) **CLAIM**

The ornamental design for a filter of water aerator, as shown and described.

DESCRIPTION

FIG. 1 is a top perspective view of a filter of water aerator showing my new design;
FIG. 2 is a bottom perspective view thereof;
FIG. 3 is a front elevational view thereof;
FIG. 4 is a rear elevational view thereof;
FIG. 5 is a right side elevational view thereof;
FIG. 6 is a left side elevational view thereof;
FIG. 7 is a top plan view thereof; and,
FIG. 8 is a bottom plan view thereof.

1 Claim, 5 Drawing Sheets



(56)

References Cited

OTHER PUBLICATIONS

PVC Vent Screens. 1-1/2" PVC Vent Cap with Insect Screen. No date specified. <https://pvcventscreens.com/product/svc-is15/> (Year: 0).*

Amazon. Vent Cap—All Plastic with Screen. Female Connection. (3/4 inch). Nov. 17, 2016. <https://www.amazon.com/Vent-Cap-plastic-screen-connection/dp/B01N947BHG> (Year: 2016).*

* cited by examiner

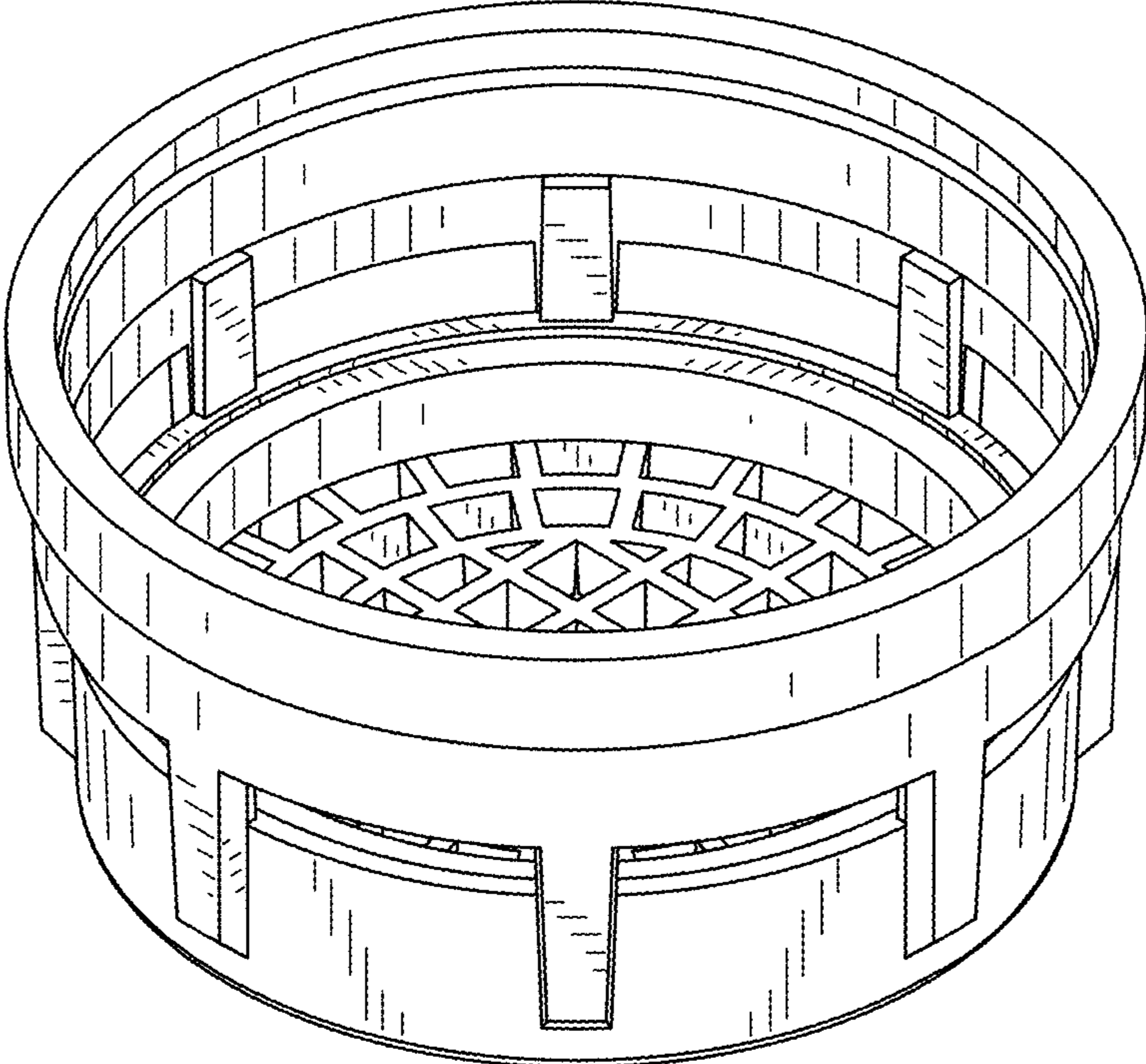


FIG. 1

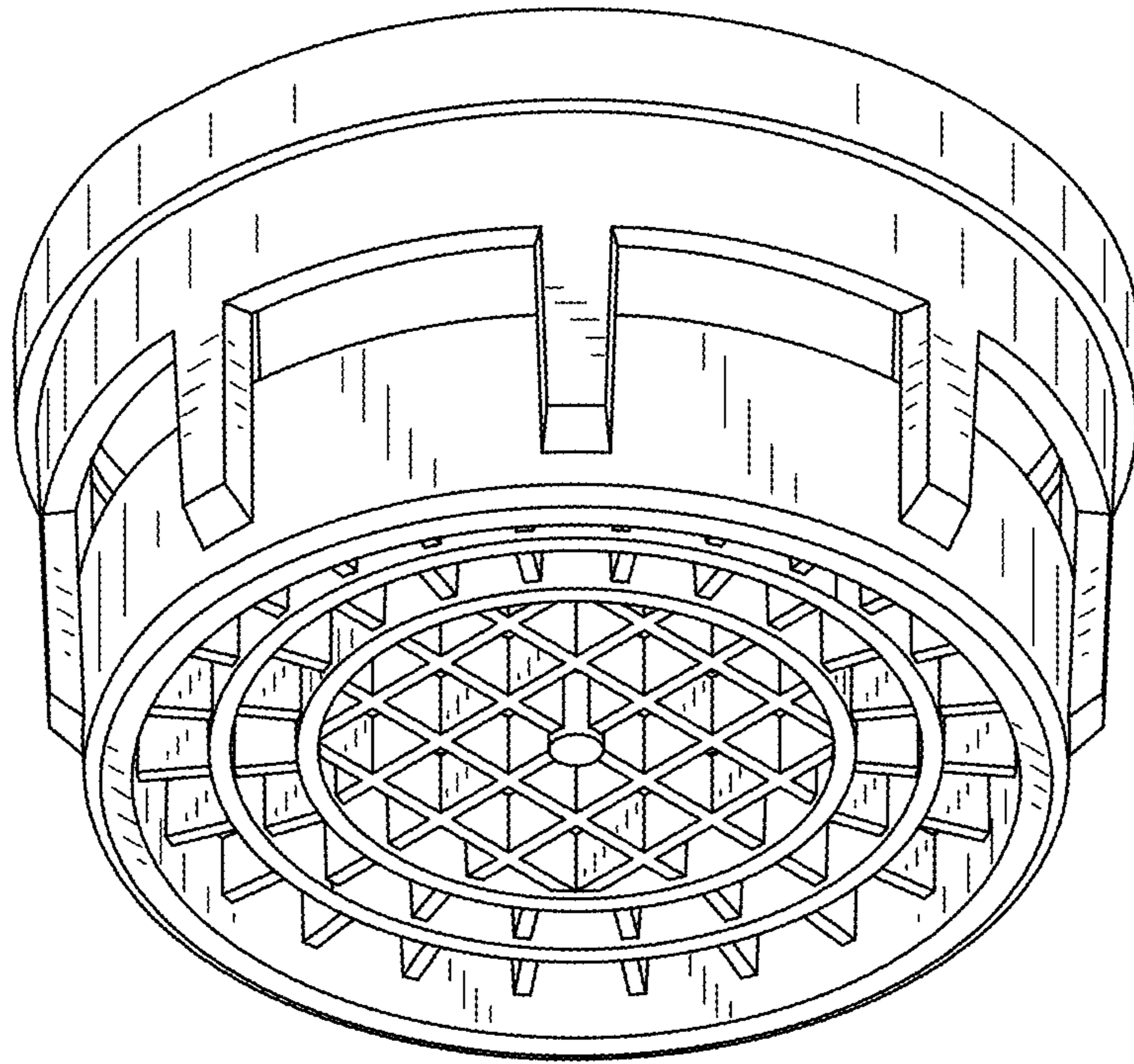


FIG. 2

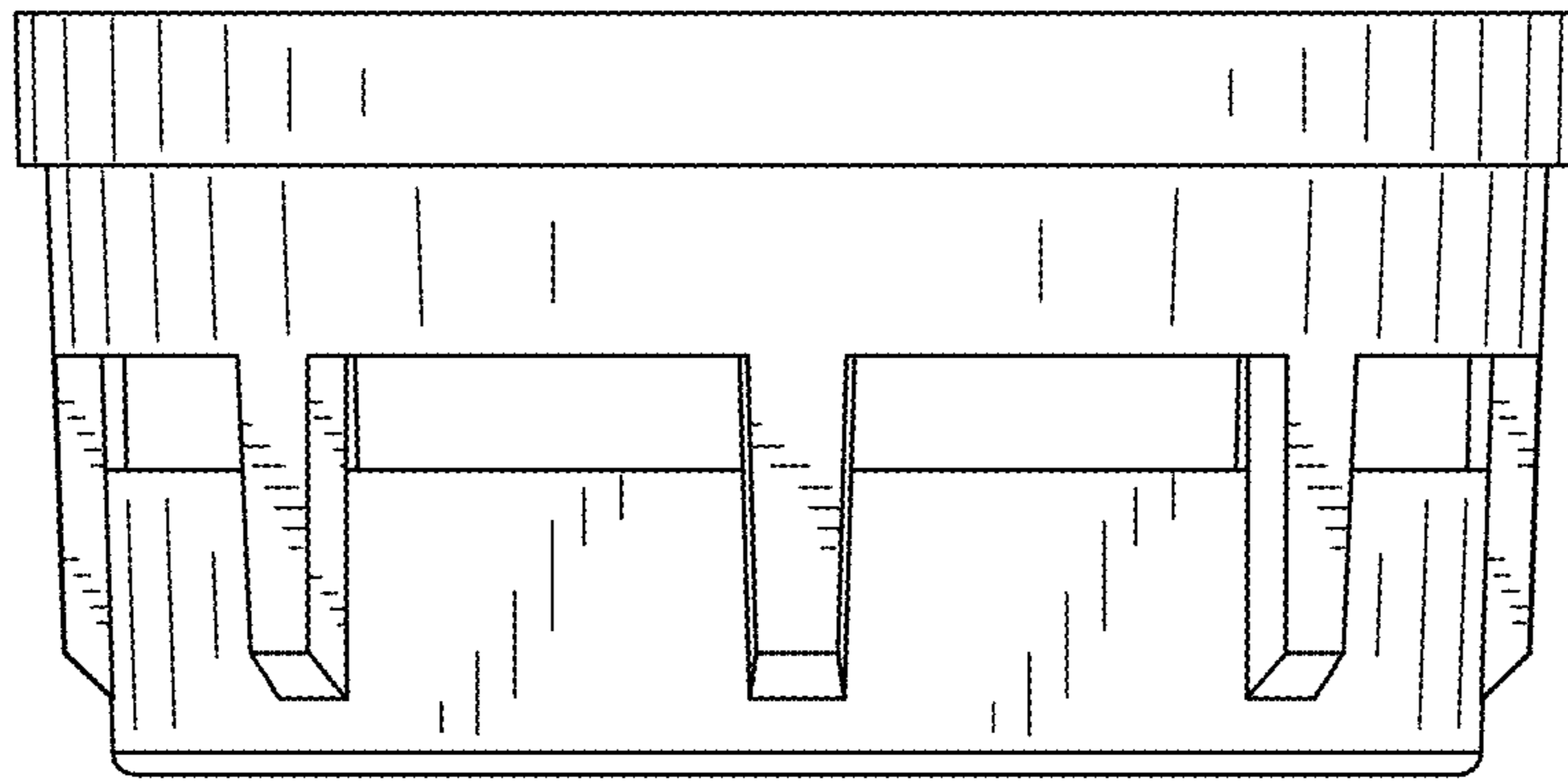


FIG. 3

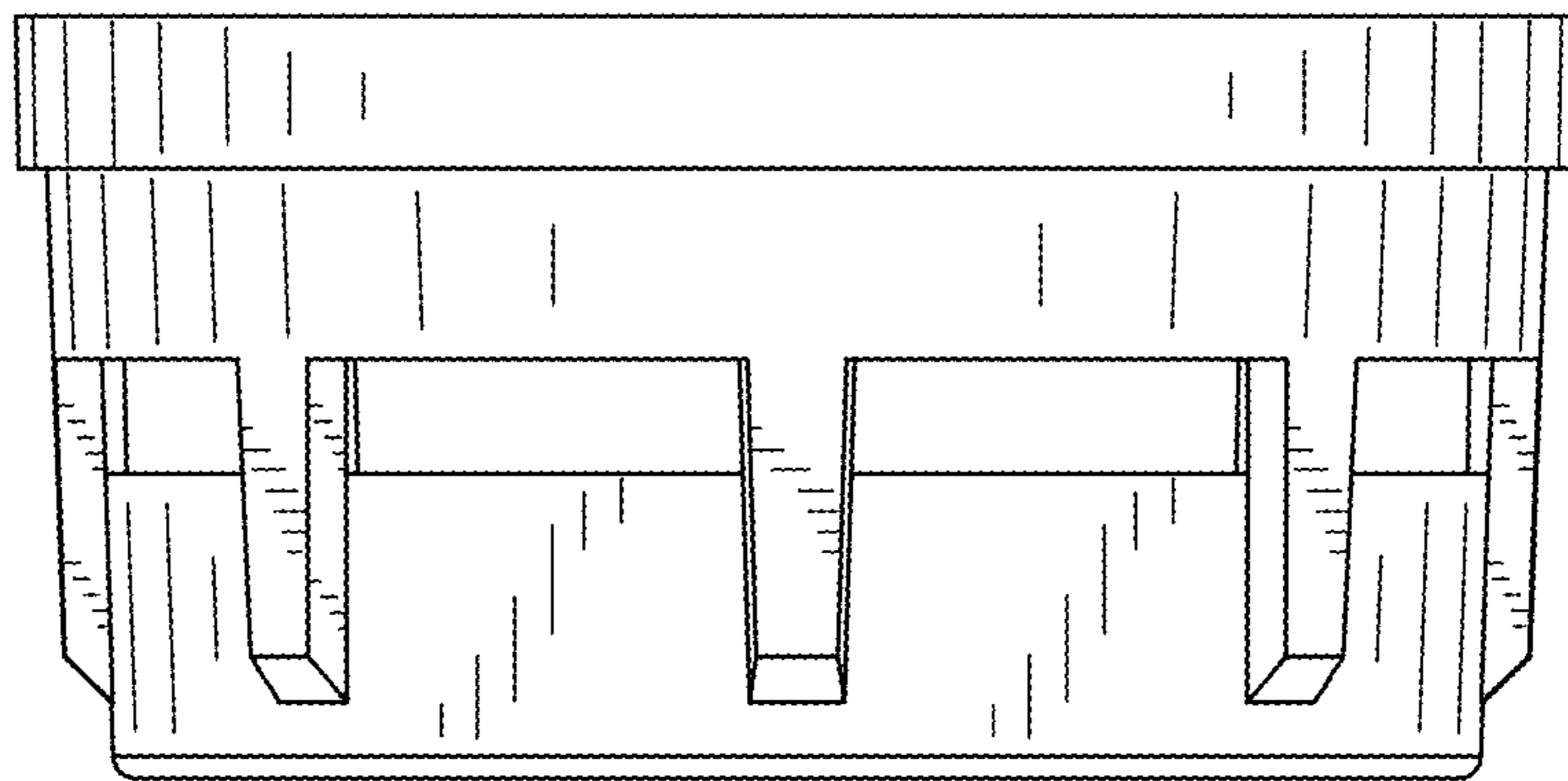


FIG. 4

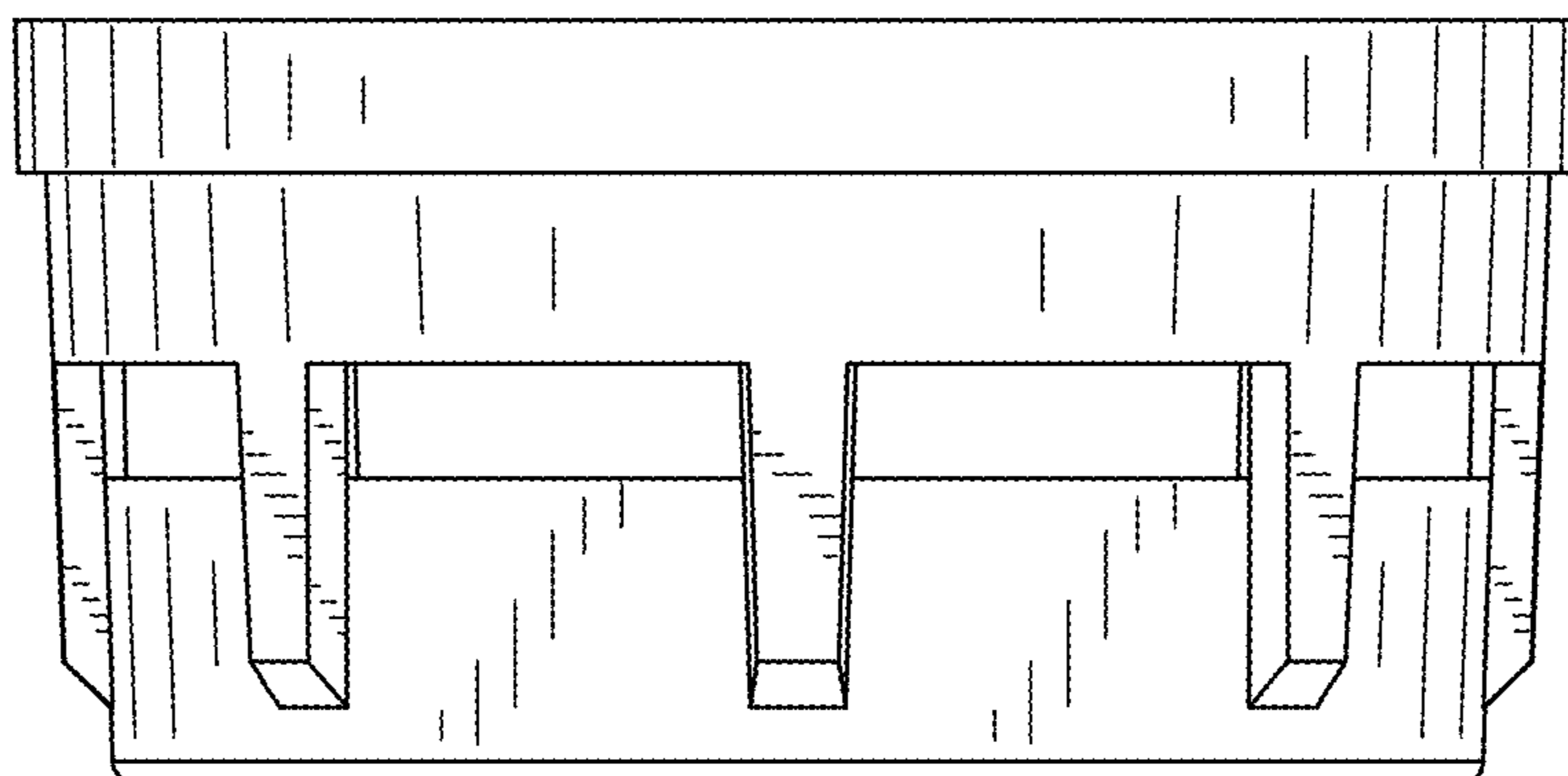


FIG. 5

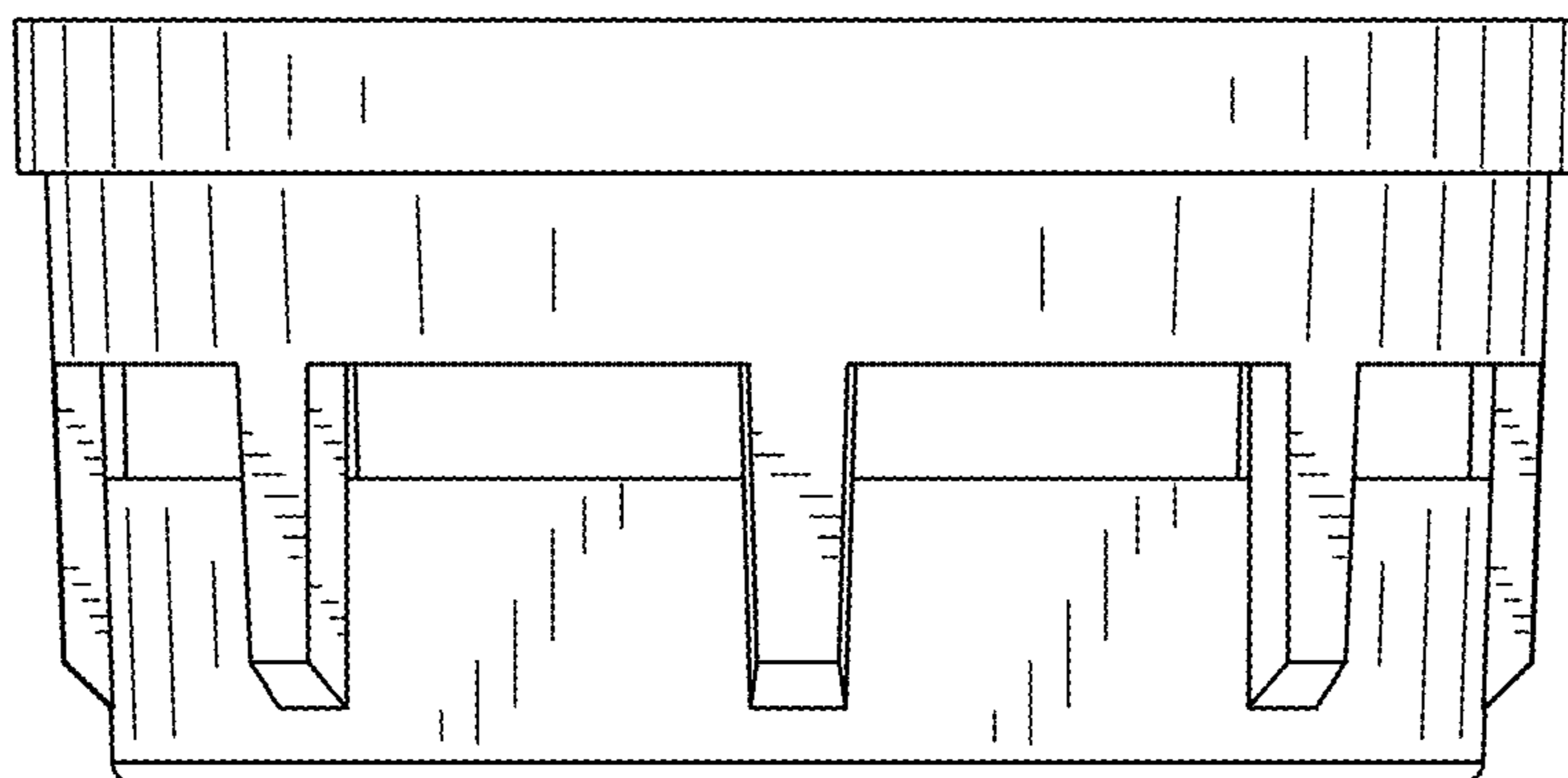


FIG. 6

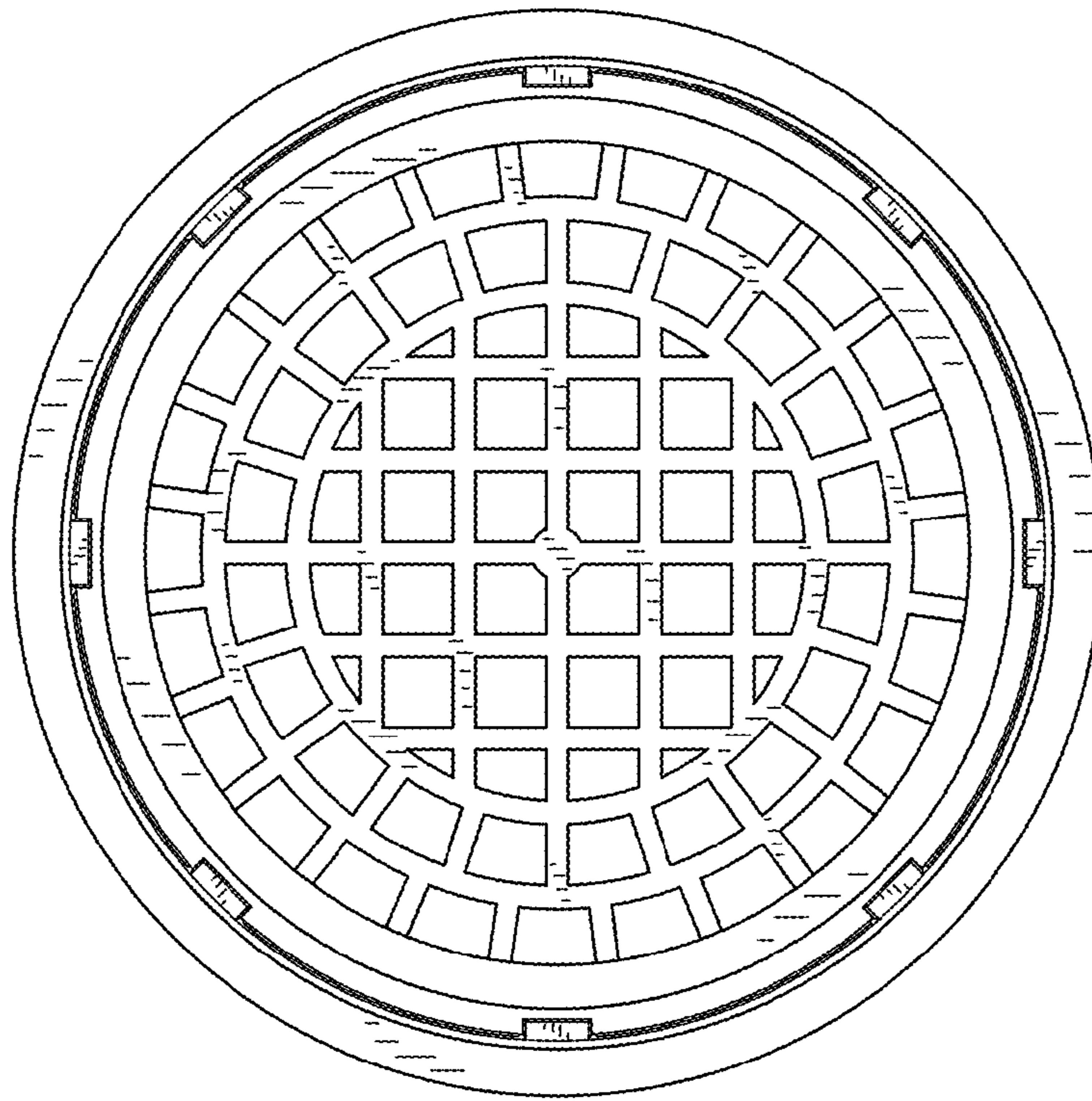


FIG. 7

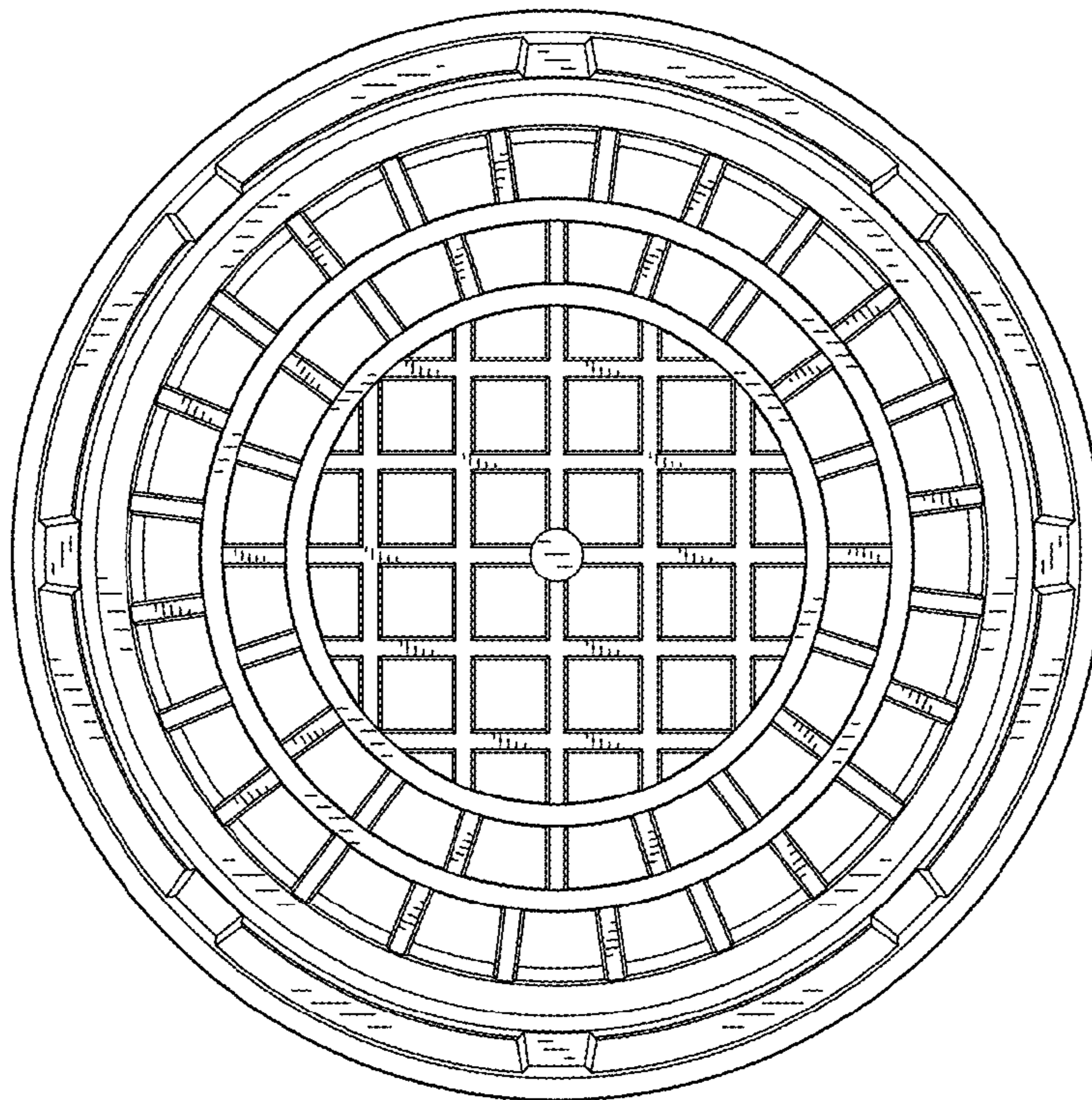


FIG. 8