



US00D932596S

(12) **United States Design Patent**
Melaccio

(10) **Patent No.:** **US D932,596 S**

(45) **Date of Patent:** **** Oct. 5, 2021**

- (54) **END CAP FOR PLUG FILTER**
- (71) Applicant: **Solidification Products International, Inc.**, Northford, CT (US)
- (72) Inventor: **Paul Melaccio**, Clinton, CT (US)
- (73) Assignee: **Solidification Products International, Inc.**, Northford, CT (US)
- (**) Term: **15 Years**
- (21) Appl. No.: **29/728,569**
- (22) Filed: **Mar. 19, 2020**
- (51) **LOC (13) Cl.** **23-01**
- (52) **U.S. Cl.**
USPC **D23/260**
- (58) **Field of Classification Search**
USPC D8/382, 387, 394, 396-397, 352, 354;
285/402, 86-93, 114-116, 179, 388, 52,
285/291.1-291.2, 390-391, 410;
D23/259-261, 209, 213, 245, 249, 262,
D23/206, 233-235; 220/257.2; 210/435,
210/439, 449, 459, 460, 475; 52/302.1;
138/40-41, 89, 90, 96 R, 96 T; 454/367;
411/531, 533; 251/143, 147-148, 153,
251/208-209
CPC E21B 17/117; B65D 51/18; B65D 47/12;
B01D 2201/04; B01D 35/04; E03F 5/14;
F24F 13/082
See application file for complete search history.

- 6,360,908 B1 * 3/2002 Kline B65D 51/18
220/257.1
- 6,968,968 B2 * 11/2005 Buckley B65D 39/08
206/459.1
- D646,363 S 10/2011 Bertram
(Continued)

Primary Examiner — Amy C Wierenga
(74) *Attorney, Agent, or Firm* — DeLio Peterson & Curcio LLC; Todd A. Bayne, Jr.

(57) **CLAIM**

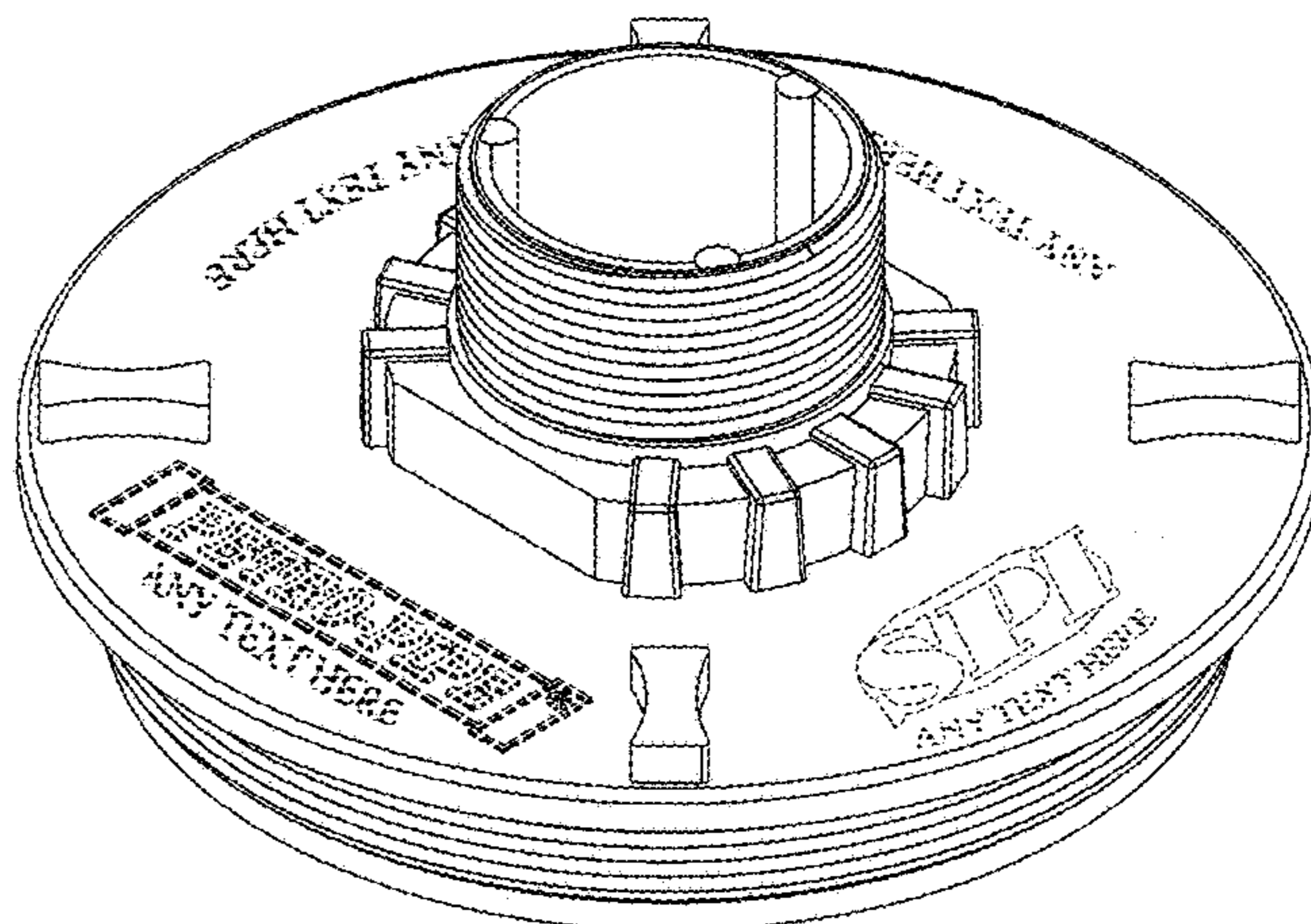
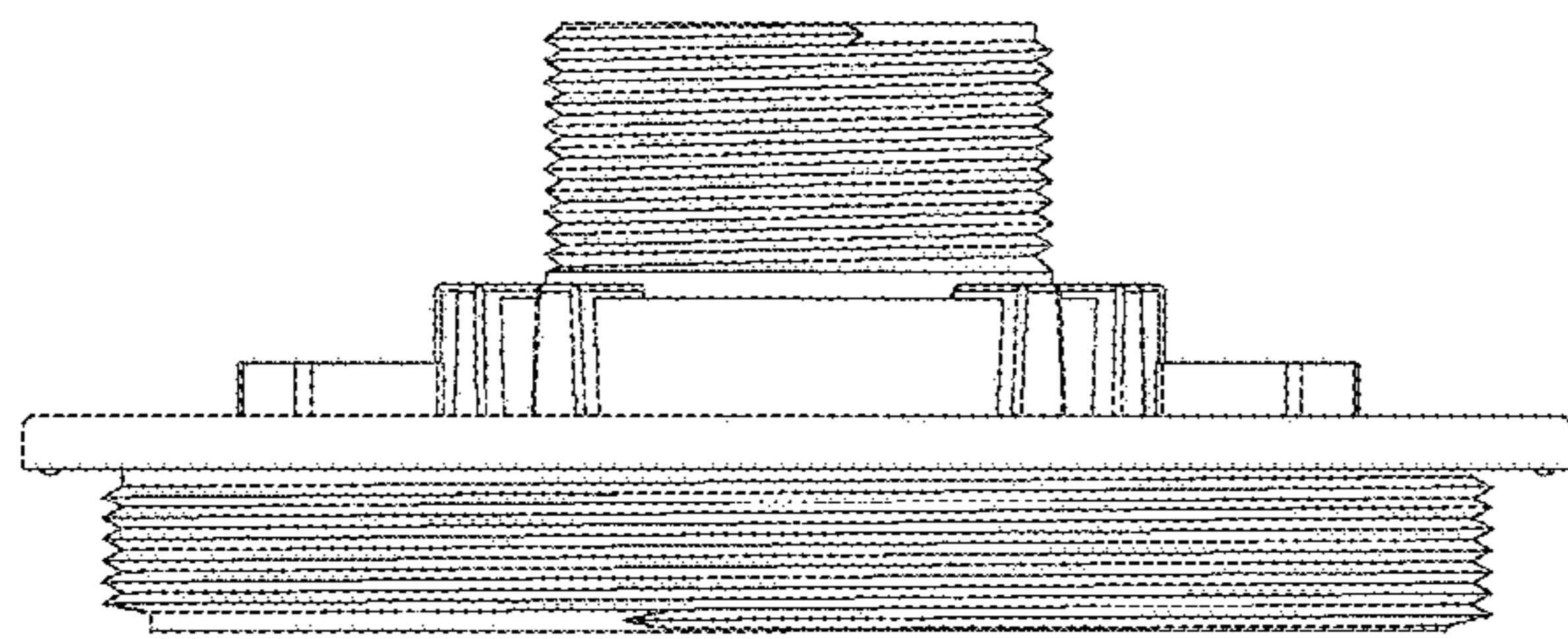
The ornamental design for an “end cap for plug filter”, as shown and described.

DESCRIPTION

FIG. 1 is a front elevational view of the “end cap for plug filter” design according to our invention;
 FIG. 2 is a back elevational view of the “end cap for plug filter” shown in FIG. 1;
 FIG. 3 is a top view of the “end cap for plug filter” shown in FIG. 1;
 FIG. 4 is a bottom view of the “end cap for plug filter” shown in FIG. 1;
 FIG. 5 is a right elevational view of the “end cap for plug filter” shown in FIG. 1;
 FIG. 6 is a left elevational view of the “end cap for plug filter” shown in FIG. 1;
 FIG. 7 is a top perspective view of the “end cap for plug filter” shown in FIG. 1; and,
 FIG. 8 is a bottom perspective view of the “end cap for plug filter” shown in FIG. 1.
 Portions of the “end cap for plug filter” are shown in phantom lines and form no part of the design.
 The PETRO-PIPE® logo and SPI logo affixed to the top surface of the “end cap for plug filter” shown in FIGS. 3 and 7 forms no part of the design.
 The broken line showing of text in FIGS. 3 and 7 is included for the purpose of illustrating any insertable text, and the specific text illustrated forms no part of the claimed design.

1 Claim, 6 Drawing Sheets

- (56) **References Cited**
U.S. PATENT DOCUMENTS
4,785,963 A * 11/1988 Magley B65D 55/022
220/266
5,184,747 A * 2/1993 Nolte B65D 39/082
220/214
D344,242 S * 2/1994 Weise D10/80
D379,851 S 6/1997 Mathison



(56)

References Cited

U.S. PATENT DOCUMENTS

D676,943	S	2/2013	Kluss et al.	
D709,369	S *	7/2014	van de Klippe	D9/440
D711,511	S *	8/2014	Van Der Merwe	D23/249
D717,395	S *	11/2014	Neto	D23/209
D724,699	S *	3/2015	Wyne	D23/259
D739,493	S *	9/2015	Wyne	D23/200
D762,825	S *	8/2016	Walker	D23/259
D777,878	S *	1/2017	Morris	D23/209
D793,525	S *	8/2017	Morris	D23/209
D836,755	S *	12/2018	Dale	D23/259
D849,899	S	5/2019	Bryant et al.	
10,703,547	B2 *	7/2020	Filho	B65D 51/18
2008/0011376	A1 *	1/2008	Belford	F16L 47/28
				138/89
2015/0369411	A1 *	12/2015	Kieper	F16L 29/002
				285/119

* cited by examiner

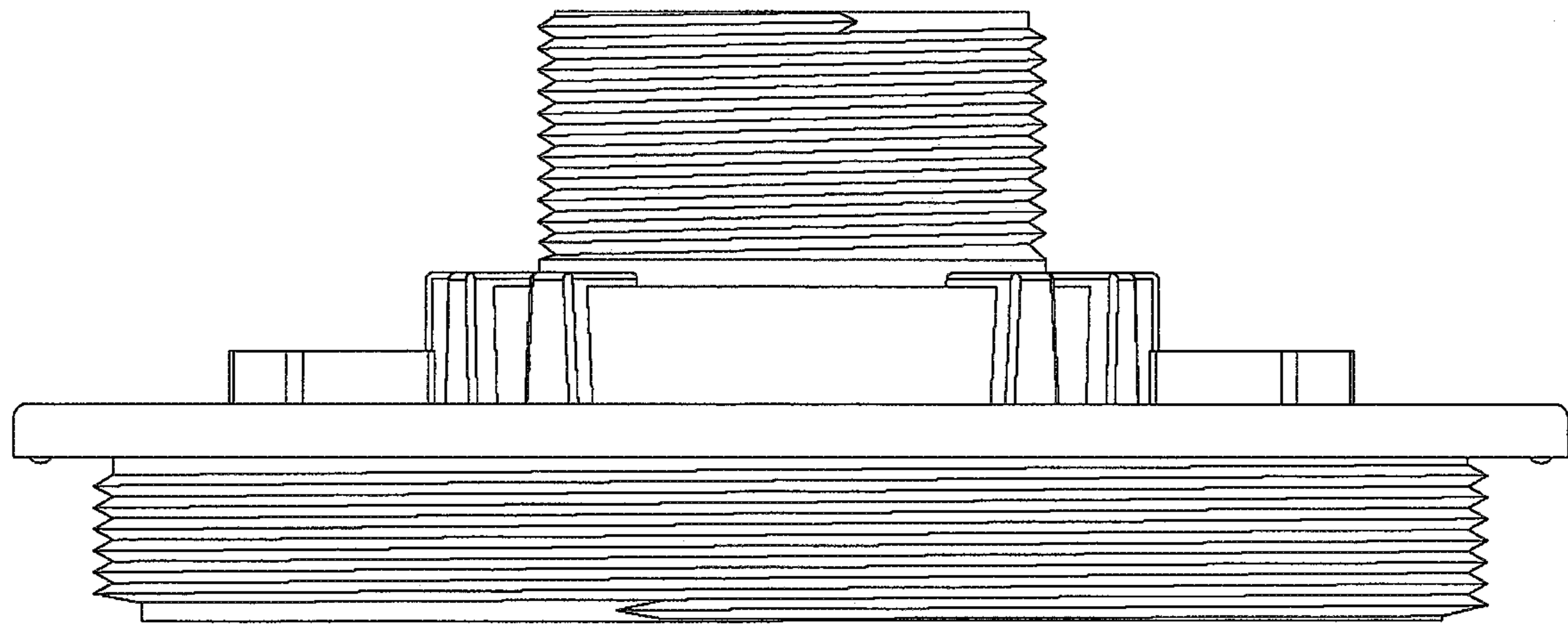


FIG. 1

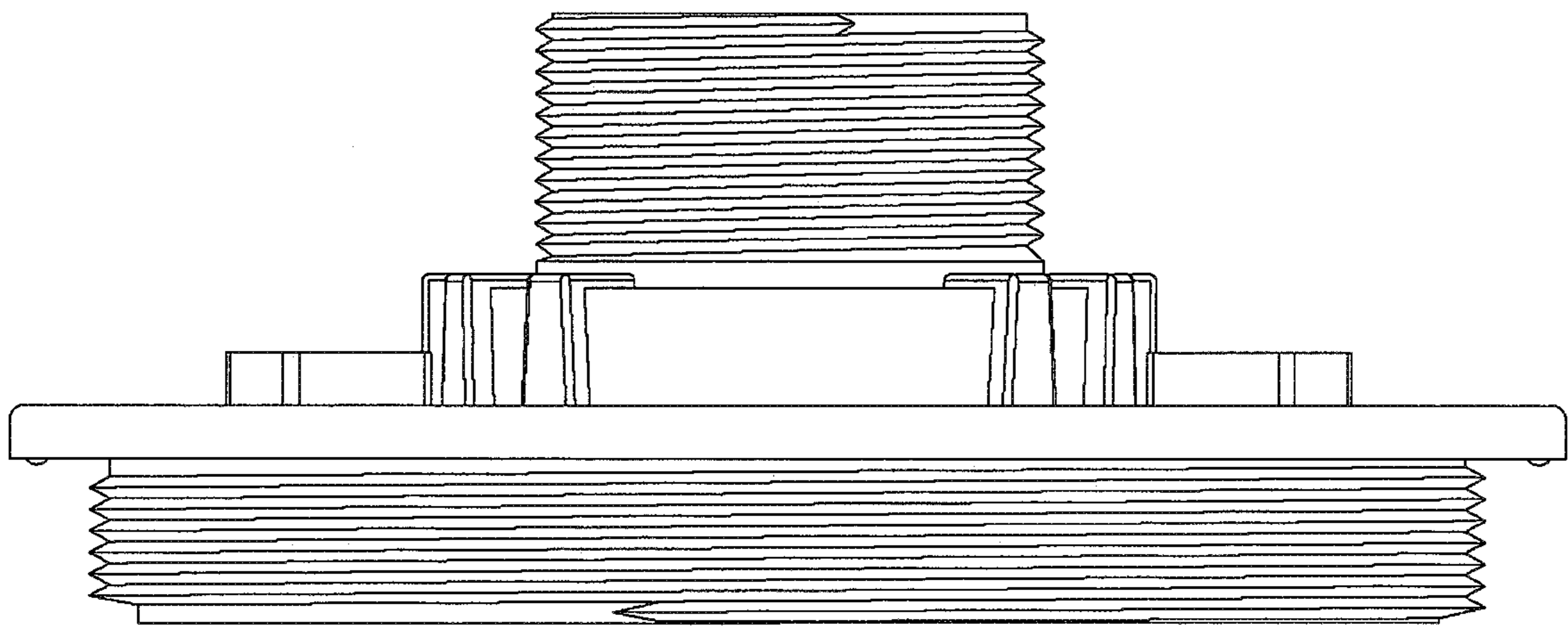


FIG. 2

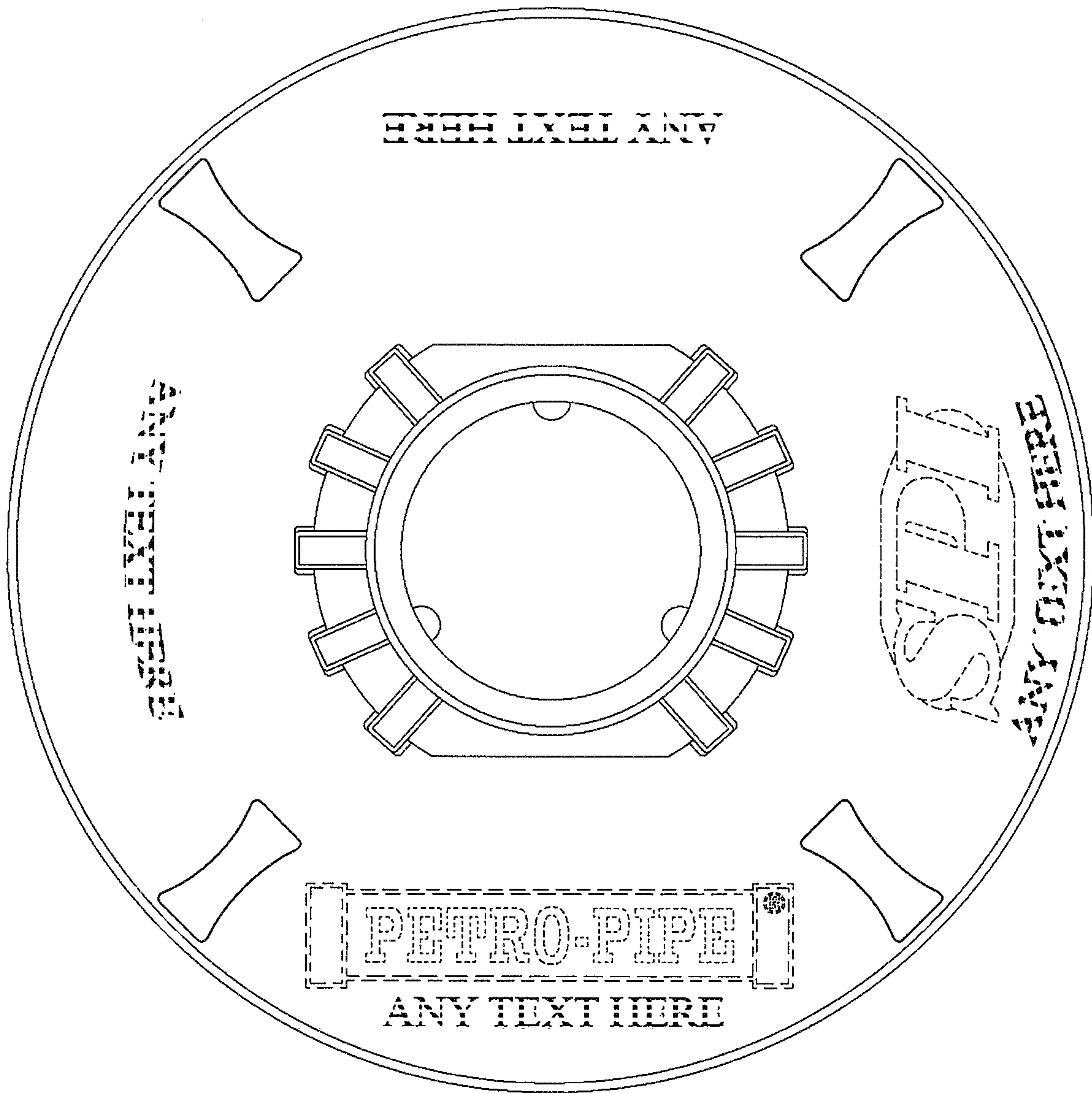


FIG. 3

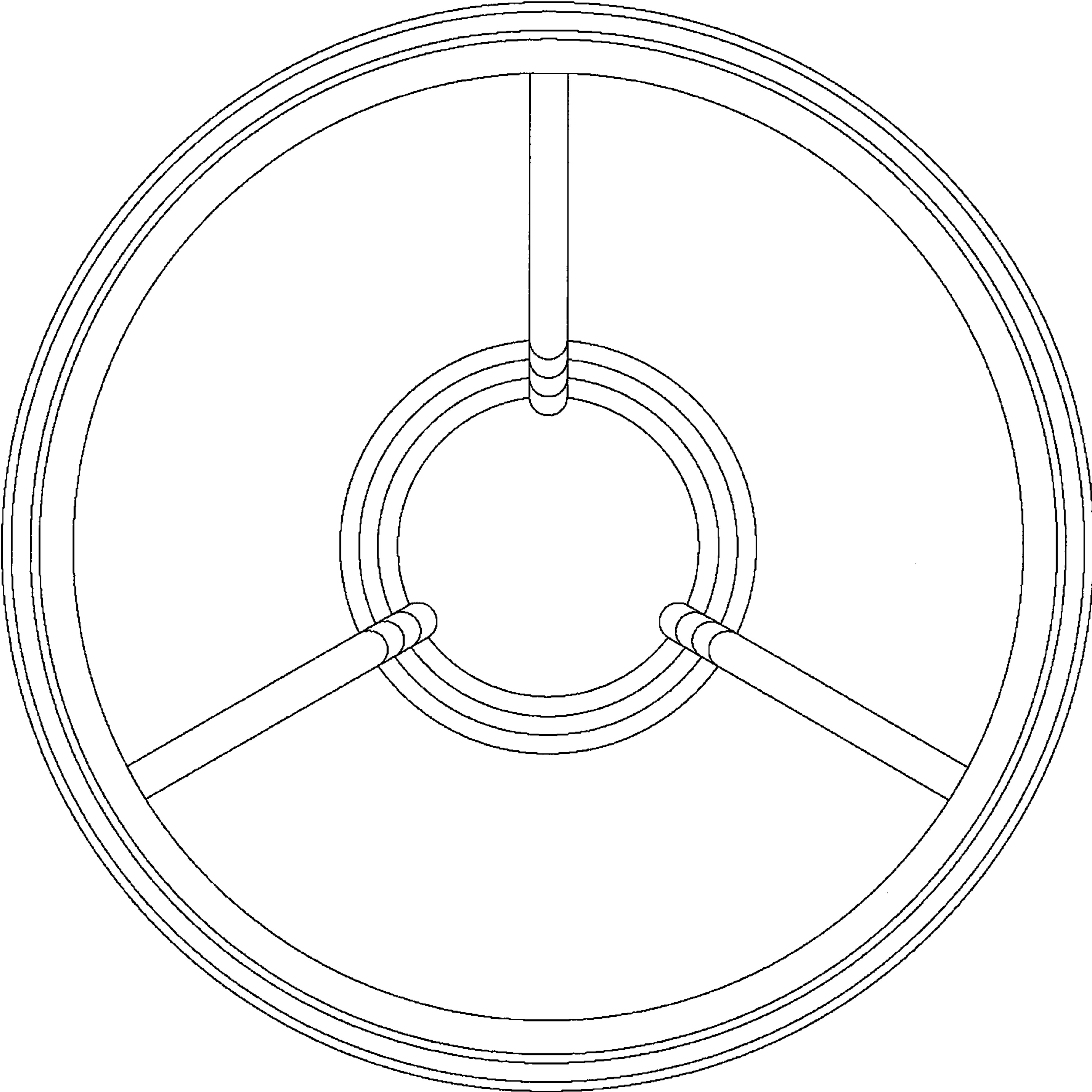


FIG. 4

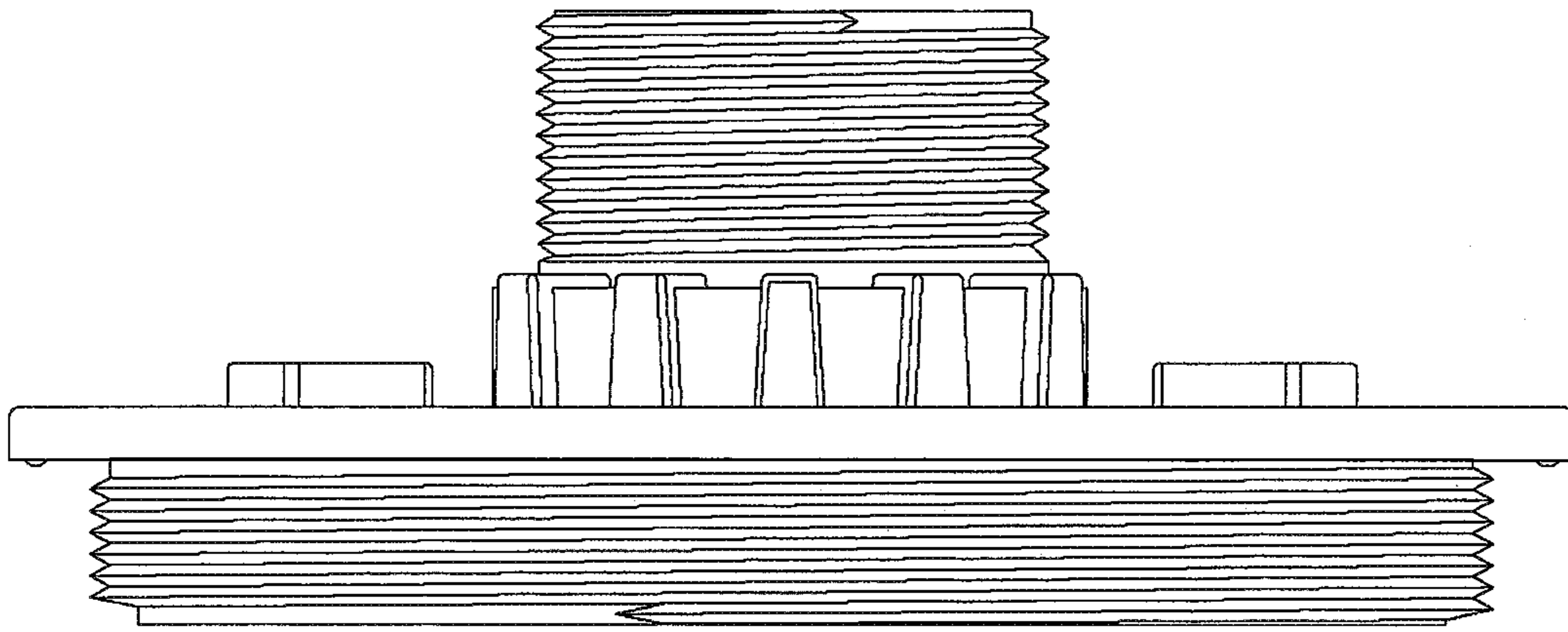


FIG. 5

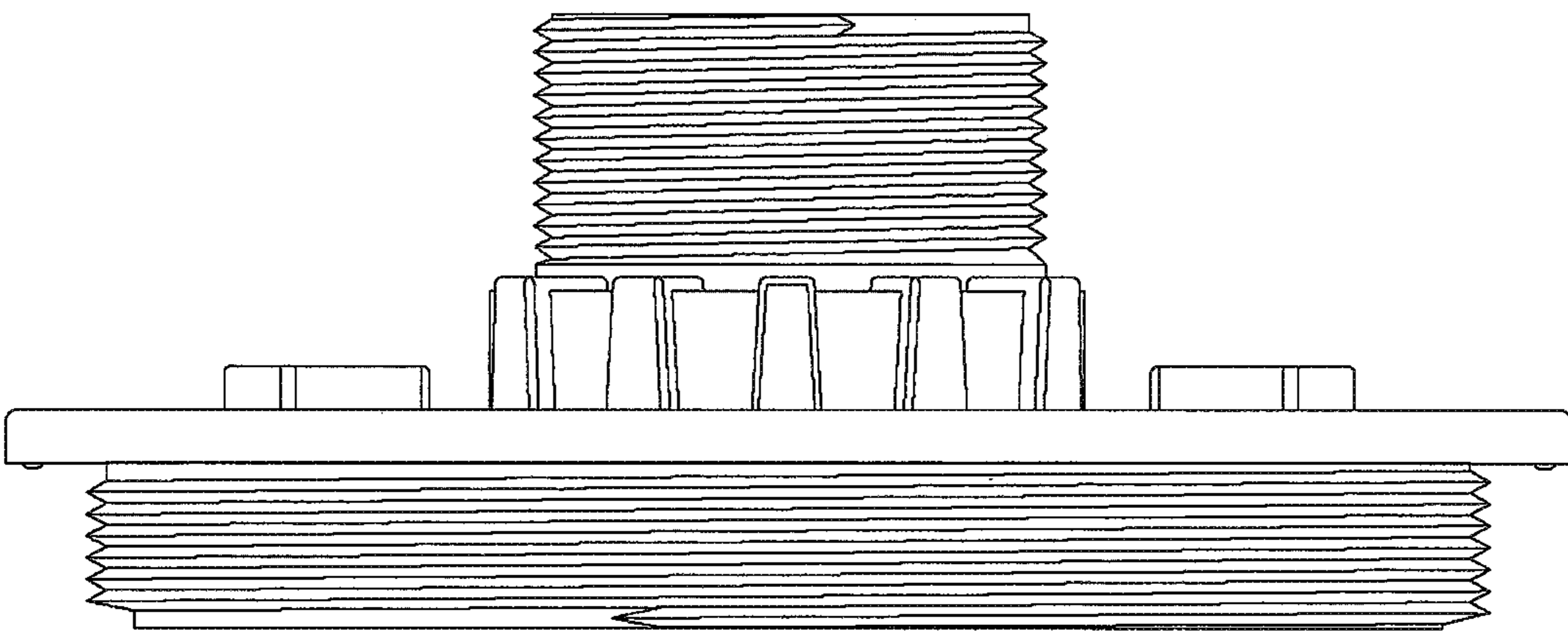


FIG. 6

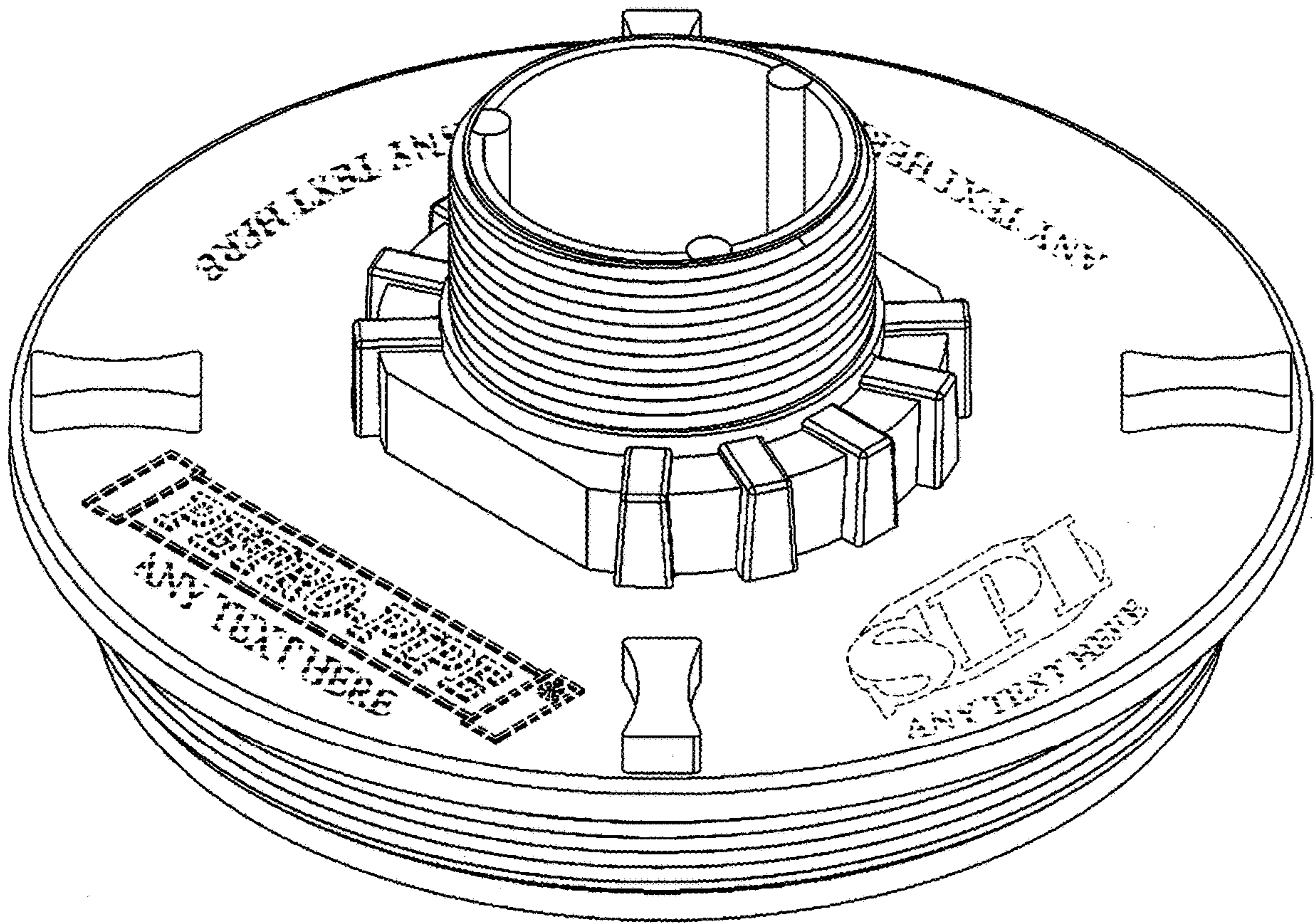


FIG. 7

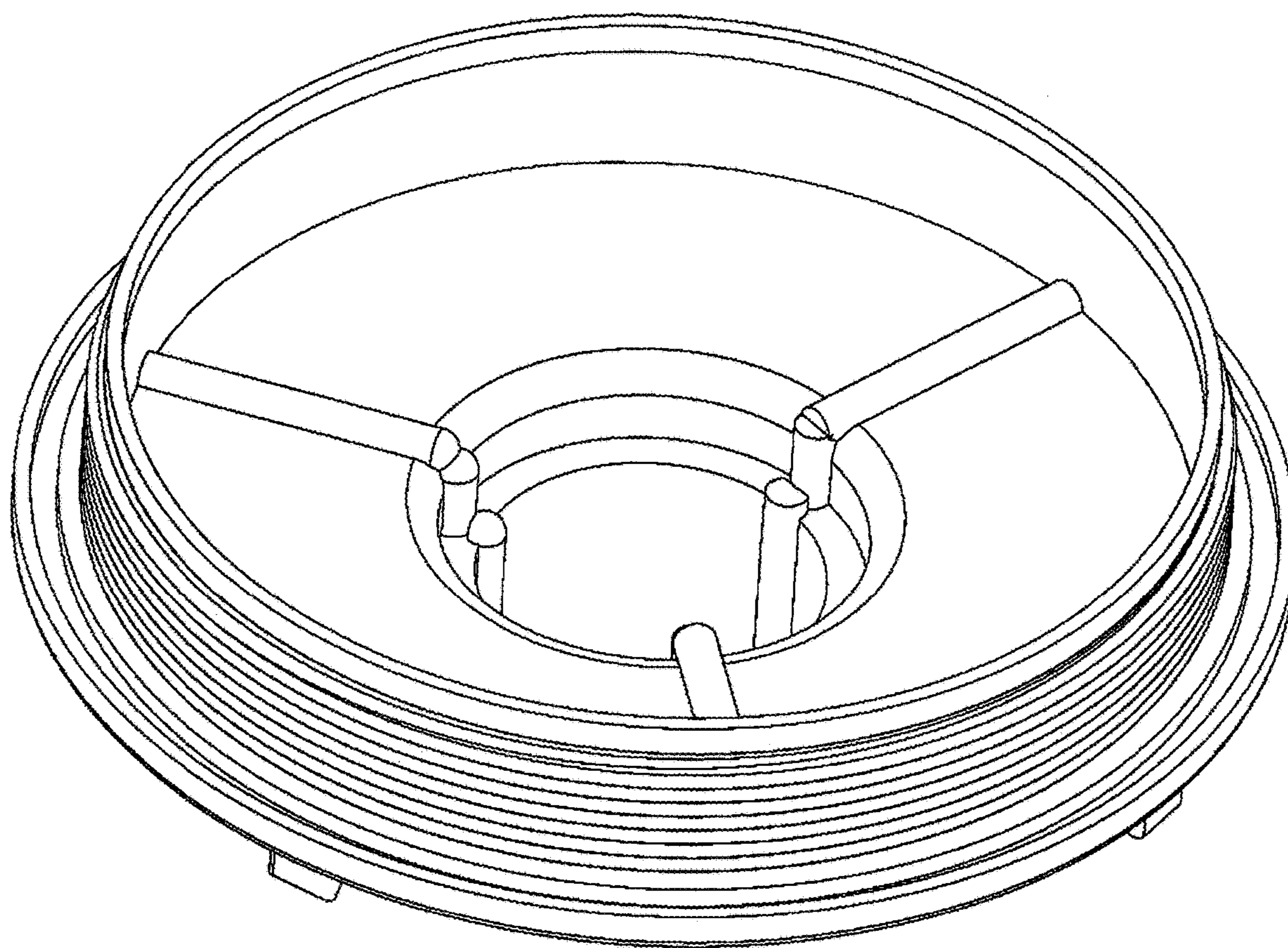


FIG. 8