



US00D932595S

(12) **United States Design Patent** (10) **Patent No.:** **US D932,595 S**
Johnson et al. (45) **Date of Patent:** **** Oct. 5, 2021**

(54) **FAUCET**

(71) Applicant: **Kohler Co.**, Kohler, WI (US)

(72) Inventors: **Drew Johnson**, Sheboygan, WI (US);
Jordan Meyers, Paradise Valley, AZ (US)

(73) Assignee: **KOHLER CO.**, Kohler, WI (US)

(**) Term: **15 Years**

(21) Appl. No.: **29/703,821**

(22) Filed: **Aug. 29, 2019**

(51) **LOC (13) Cl.** **23-01**

(52) **U.S. Cl.**
USPC **D23/255**

(58) **Field of Classification Search**
USPC D23/255, 257, 238–243
CPC E03C 1/042
See application file for complete search history.

(56) **References Cited**

U.S. PATENT DOCUMENTS

D25,950 S	*	8/1896	Totham	D23/238
D350,390 S	*	9/1994	Bollenbacher	D23/255
D352,095 S		11/1994	Bollenbacher		
D581,028 S	*	11/2008	Dolan	D23/255
D581,495 S	*	11/2008	Yuan	D23/255
D582,018 S	*	12/2008	Yuan	D23/255
D592,286 S		5/2009	Berberet		
D680,194 S	*	4/2013	Romero	D23/255
D717,917 S		11/2014	Rexach et al.		
D717,924 S	*	11/2014	Rexach	D23/255
D717,926 S		11/2014	Rexach et al.		
D718,425 S		11/2014	Rexach et al.		
D757,905 S	*	5/2016	Rexach	D23/238
D758,546 S		6/2016	Rexach		
D803,360 S		11/2017	Rexach		
D909,541 S	*	2/2021	Lee	D23/250

* cited by examiner

Primary Examiner — Robert A Delehanty

(74) *Attorney, Agent, or Firm* — Foley & Lardner LLP

(57) **CLAIM**

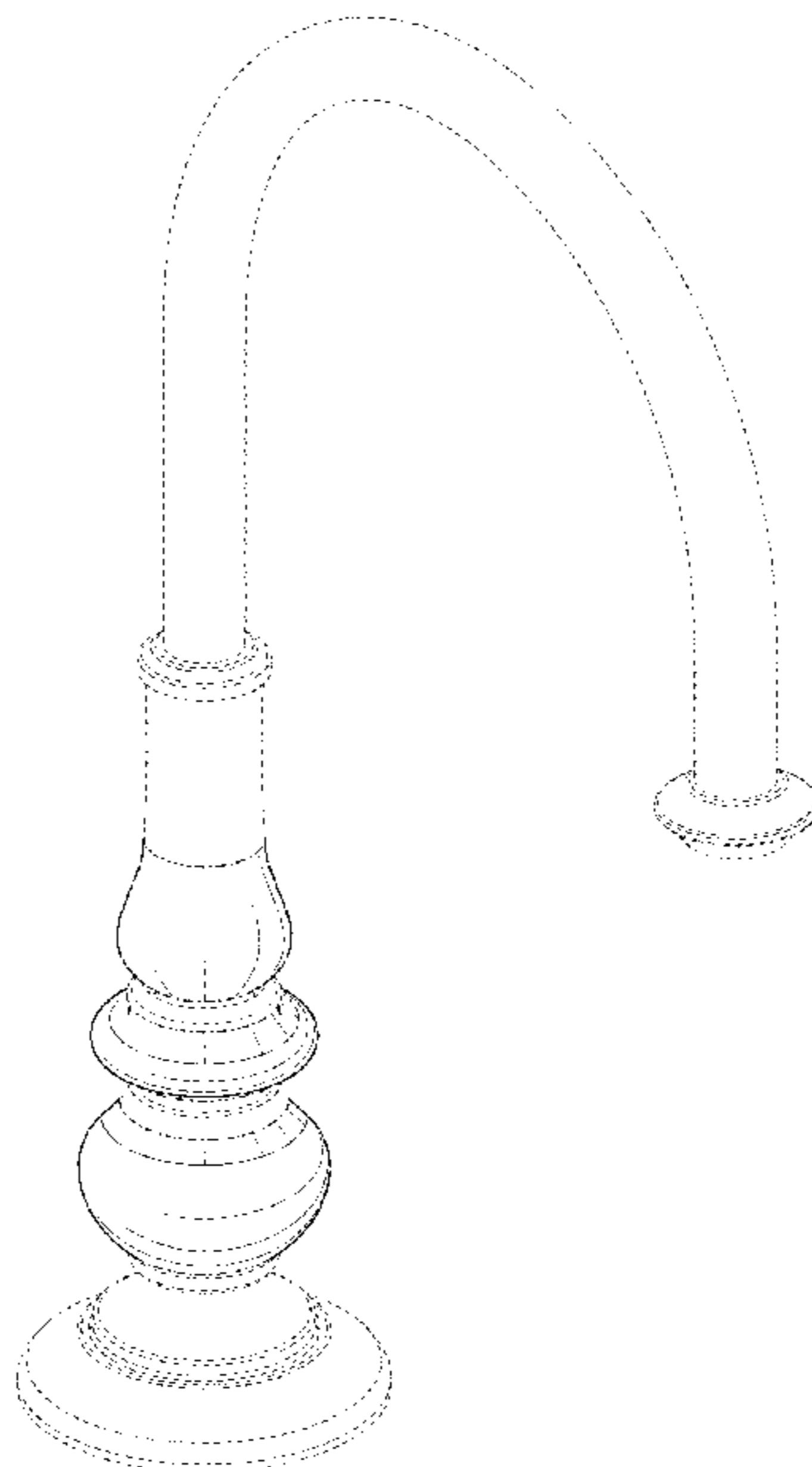
We claim the ornamental design for a faucet, as shown and described.

DESCRIPTION

FIG. 1 is a perspective view of the claimed design;
FIG. 2 is a front view of the claimed design shown in FIG. 1;
FIG. 3 is a rear view of the claimed design shown in FIG. 1;
FIG. 4 is a side view of the claimed design shown in FIG. 1;
FIG. 5 is another side view of the claimed design shown in FIG. 1;
FIG. 6 is a top view of the claimed design shown in FIG. 1; and,
FIG. 7 is a bottom view of the claimed design shown in FIG. 1.

The ornamental design that is claimed is shown in the drawings as solid lines and surfaces having surface shading. The broken lines in the drawings are for illustrative purposes only and form no part of the claimed design. For example, broken lines formed by equal length dashes show unclaimed portions of the design. Broken lines formed of unequal length dashes (i.e., dash-dot) show boundaries between either claimed and unclaimed portions of the design or between unclaimed and unclaimed portions of the design. Break lines having a jagged element are not part of the claimed design. The appearance of any portion of the article between the break lines forms no part of the claimed design. Cross-hatching provided on cut surfaces is for illustrative purposes only and forms no part of the claimed design.

1 Claim, 5 Drawing Sheets



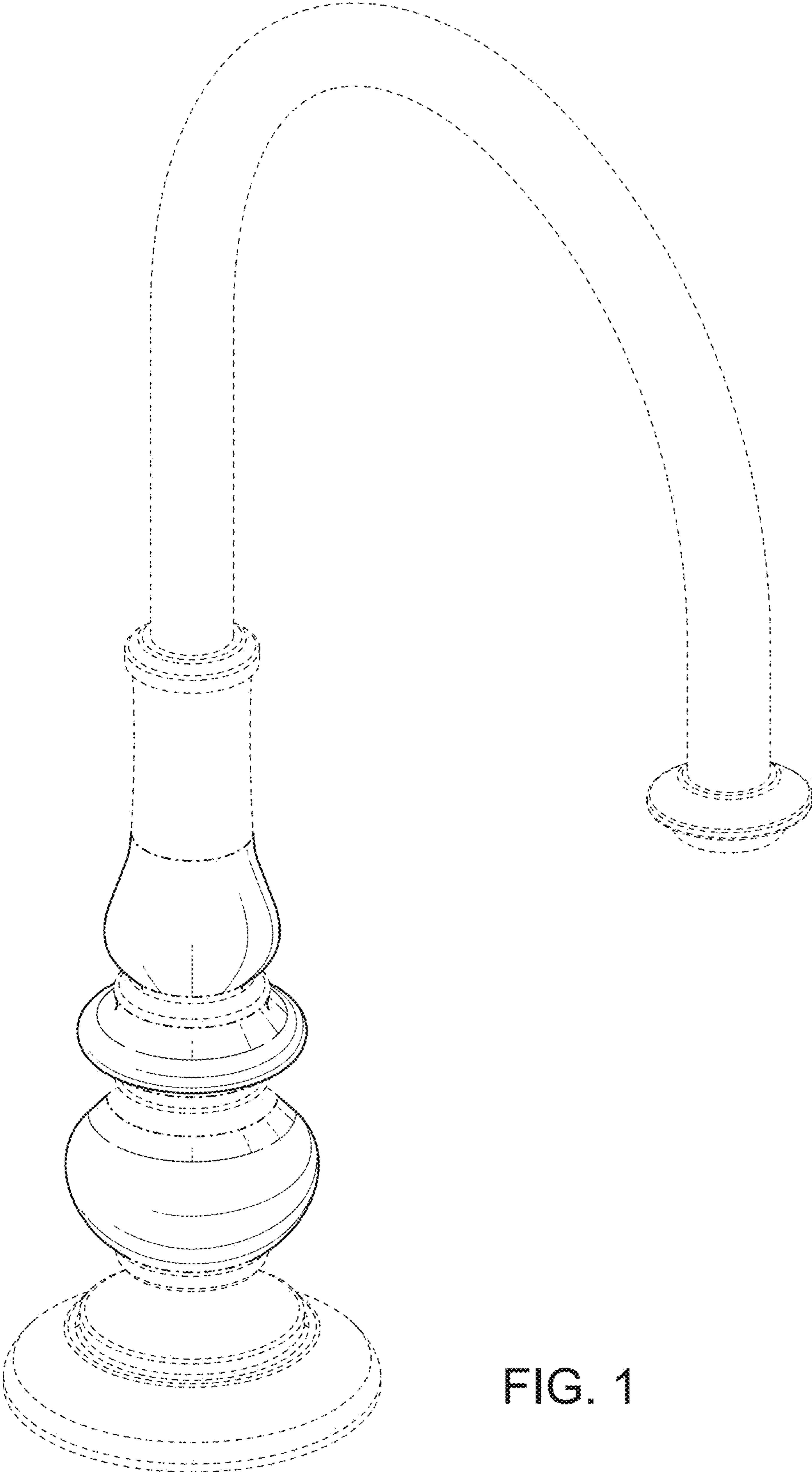


FIG. 1

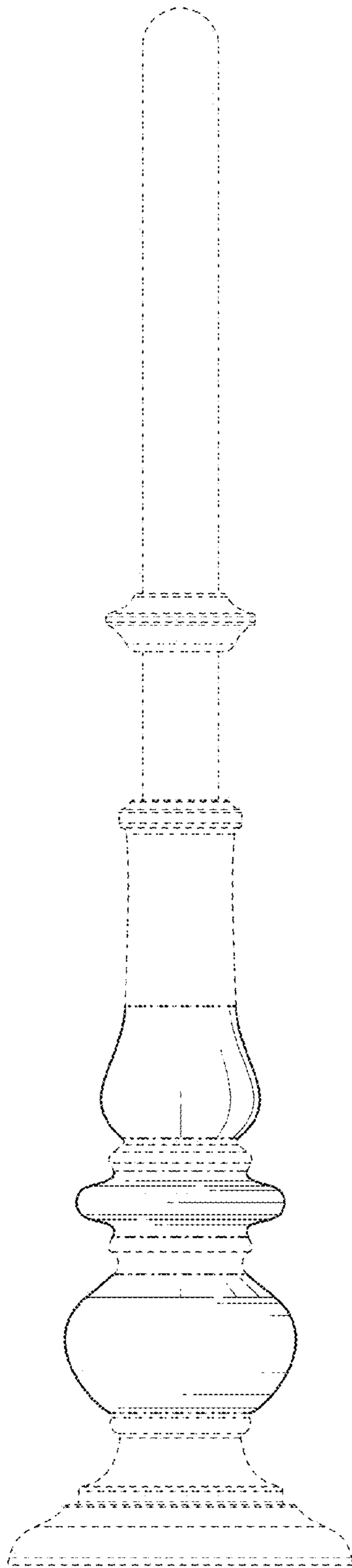


FIG. 2

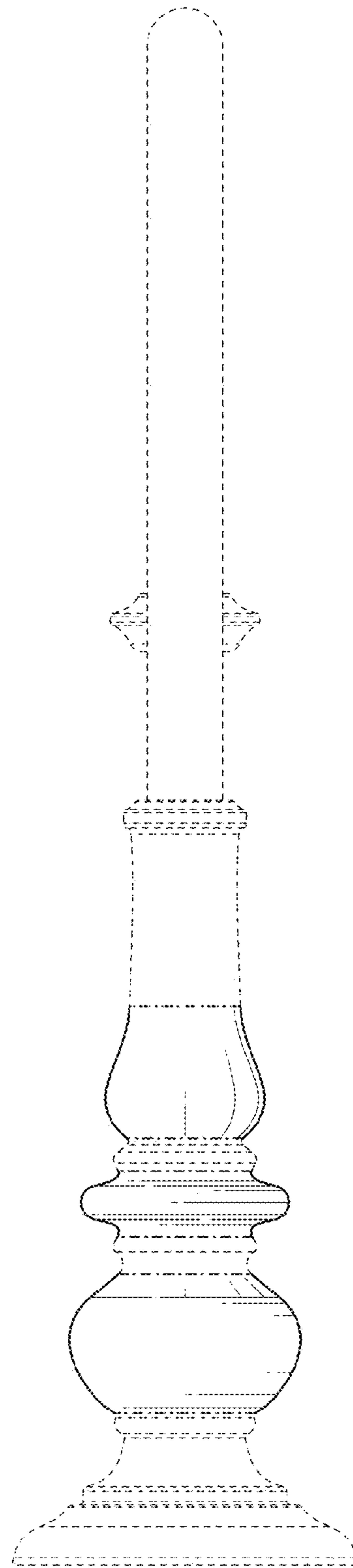


FIG. 3

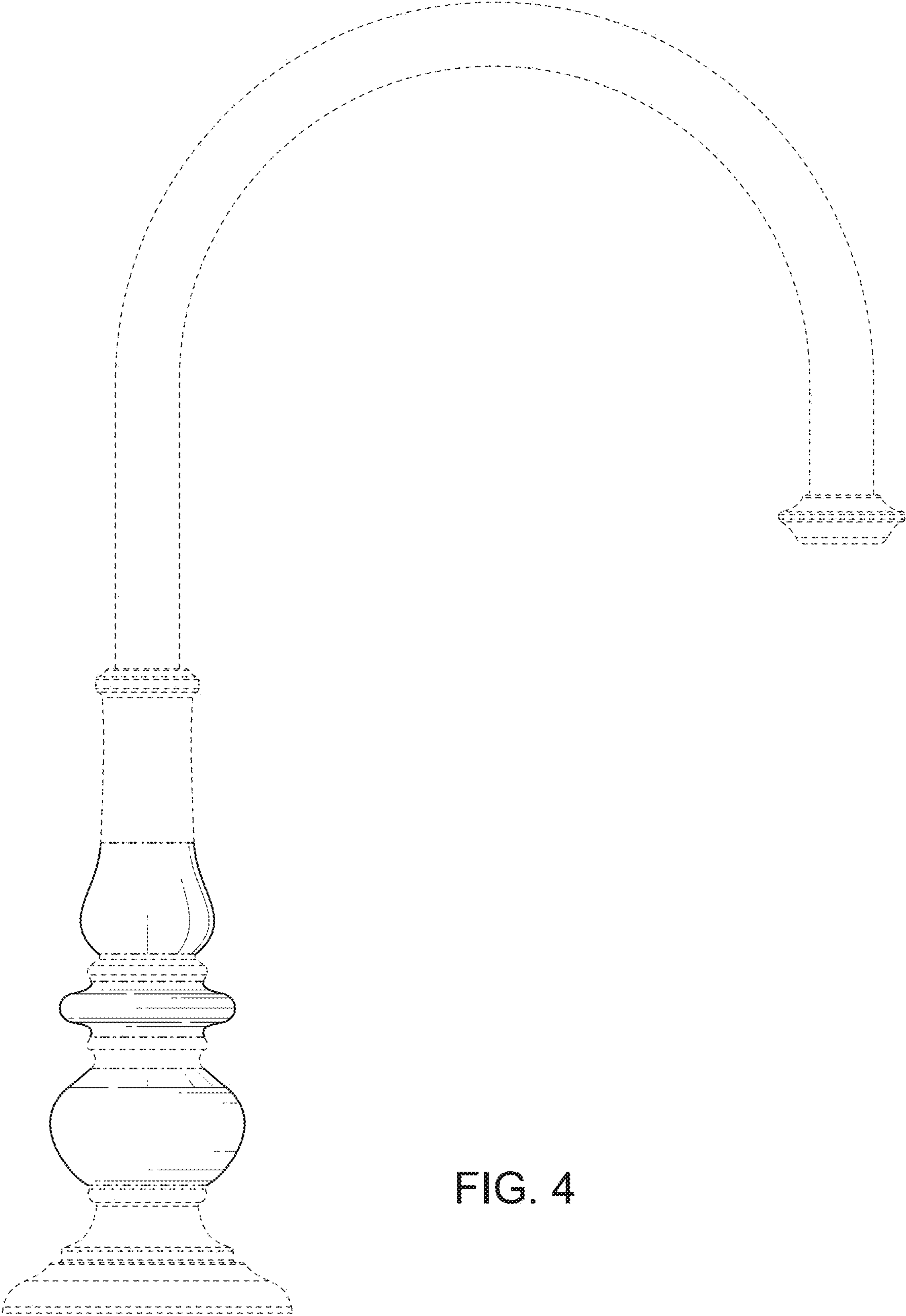


FIG. 4

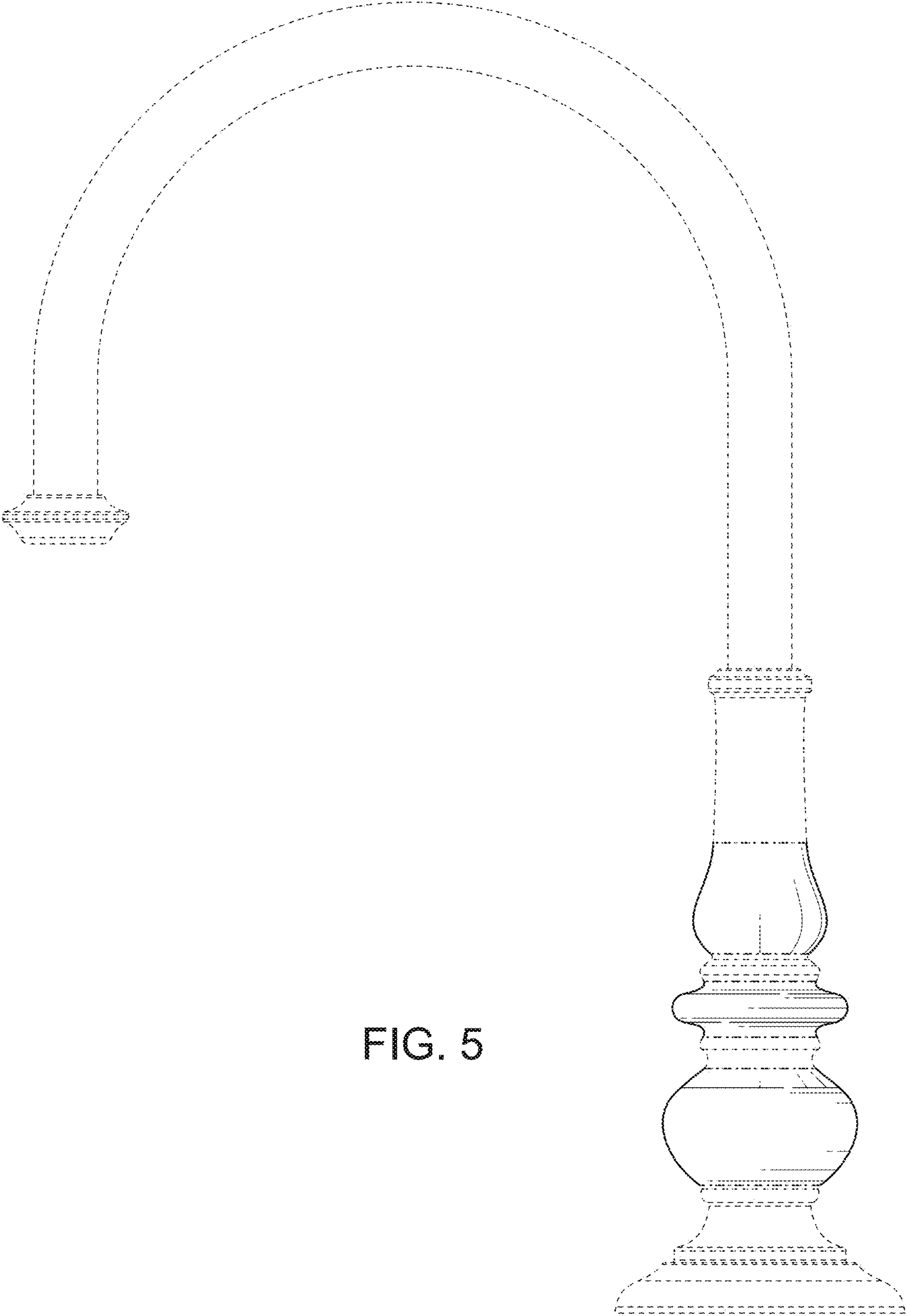


FIG. 5

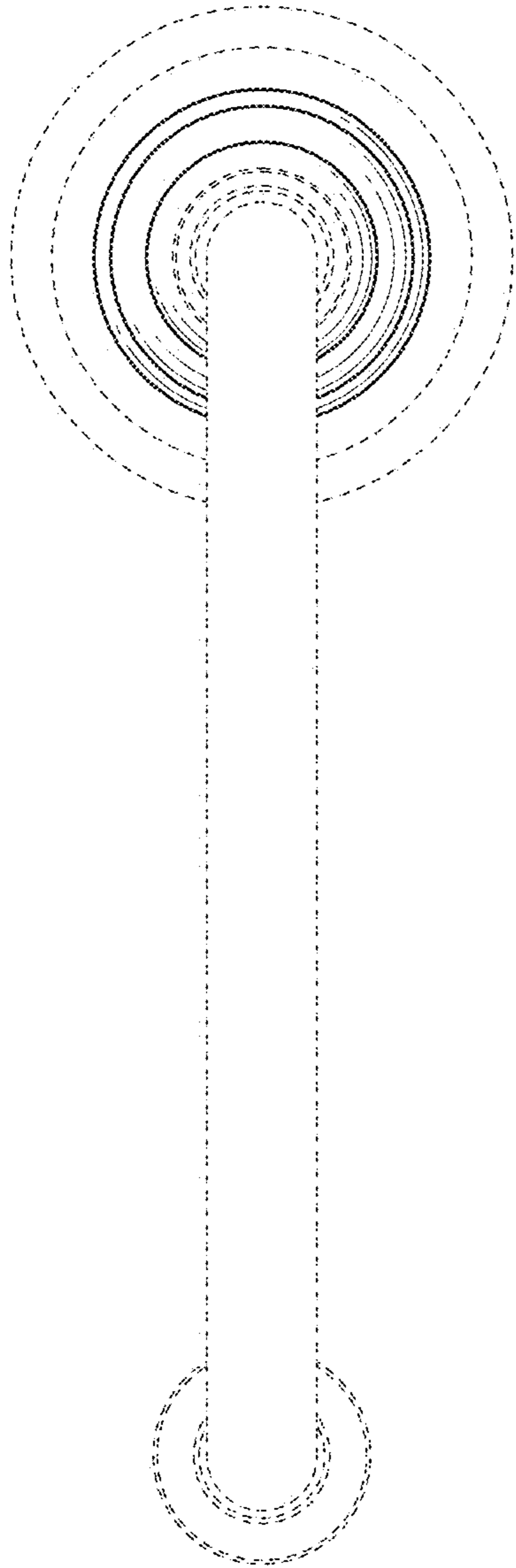


FIG. 6

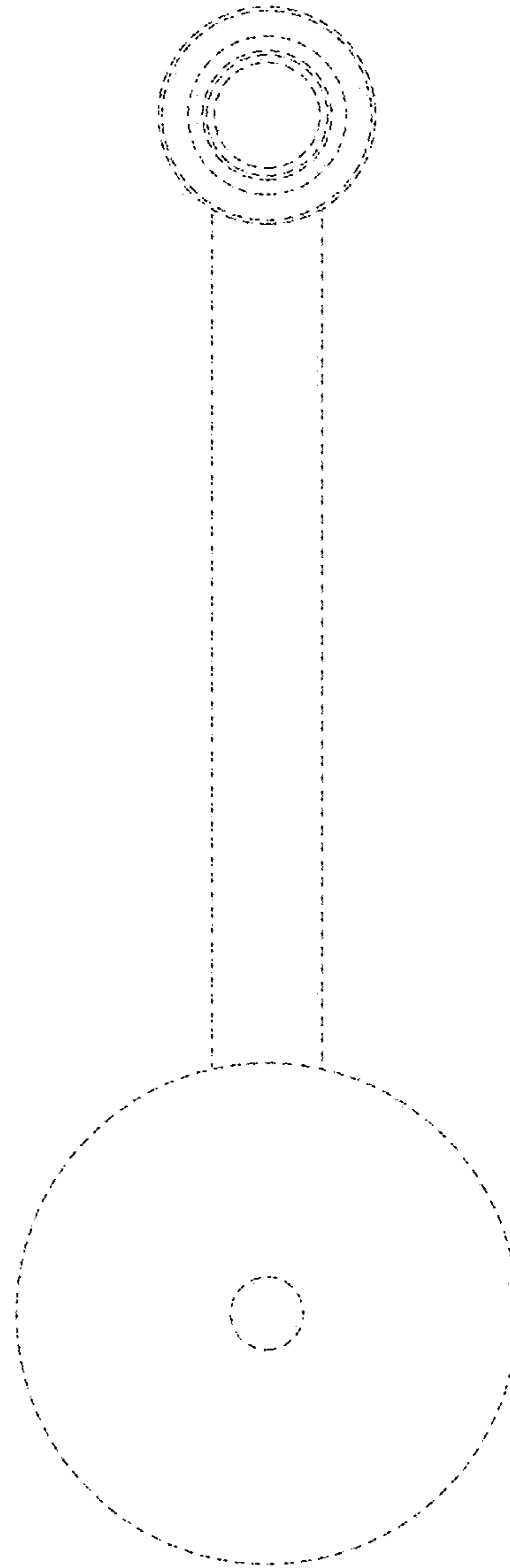


FIG. 7