



US00D932594S

(12) **United States Design Patent**
Lin et al.

(10) **Patent No.:** **US D932,594 S**
(45) **Date of Patent:** **** Oct. 5, 2021**

(54) **SHOWER SHELF**

D773,617 S * 12/2016 Potter D23/254
D866,220 S * 11/2019 Lee D6/574
D922,094 S * 6/2021 Shu D6/574

(71) Applicant: **XIAMEN LOTA INTERNATIONAL CO., LTD.**, Xiamen (CN)

* cited by examiner

(72) Inventors: **Jiaqun Lin**, Xiamen (CN); **Yunlong Xie**, Xiamen (CN); **Liming Ye**, Xiamen (CN); **Chuanbao Zhu**, Xiamen (CN)

Primary Examiner — Robert A Delehanty

(73) Assignee: **XIAMEN LOTA INTERNATIONAL CO., LTD.**, Xiamen (CN)

(57) **CLAIM**

(**) Term: **15 Years**

The ornamental design for a shower shelf, as shown and described.

(21) Appl. No.: **29/746,969**

(22) Filed: **Aug. 18, 2020**

DESCRIPTION

(51) **LOC (13) Cl.** **23-01**

(52) **U.S. Cl.**

USPC **D23/254**

(58) **Field of Classification Search**

USPC D23/238–243, 250, 252, 254, 213;
D8/307–308, 353; D6/524, 574

See application file for complete search history.

FIG. 1 is a perspective view of a shower shelf showing my new design;
FIG. 2 is another perspective view thereof;
FIG. 3 is a front elevational view thereof;
FIG. 4 is a rear elevational view thereof;
FIG. 5 is a left side elevational view thereof;
FIG. 6 is a right side elevational view thereof;
FIG. 7 is a top plan view thereof; and,
FIG. 8 is a bottom plan view thereof.

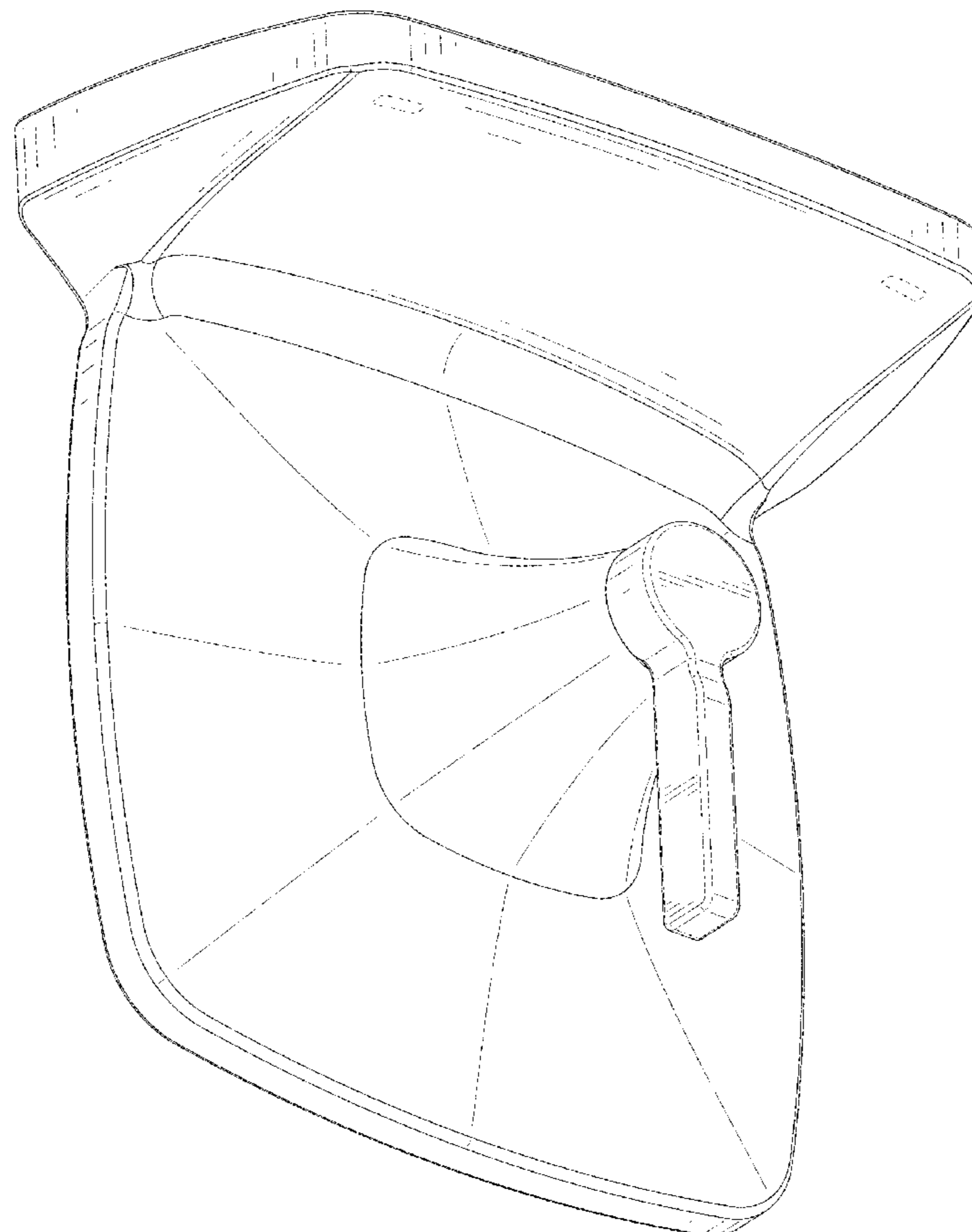
The broken lines in the drawings depict portions of the shower shelf that form no part of the claimed design.

(56) **References Cited**

U.S. PATENT DOCUMENTS

D622,360 S * 8/2010 Bouroullec D23/254
D677,759 S * 3/2013 Mendoza D23/252

1 Claim, 8 Drawing Sheets



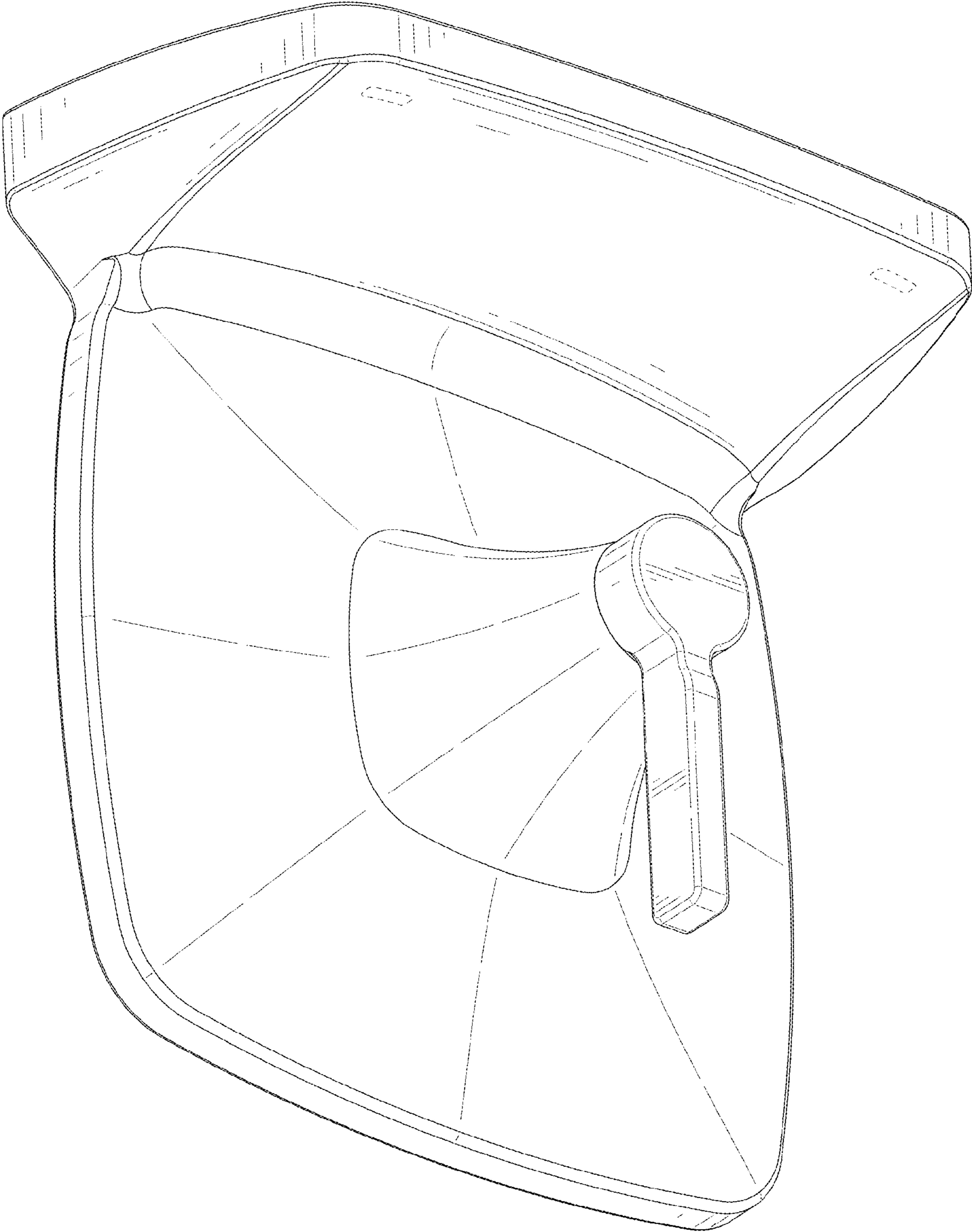


FIG. 1

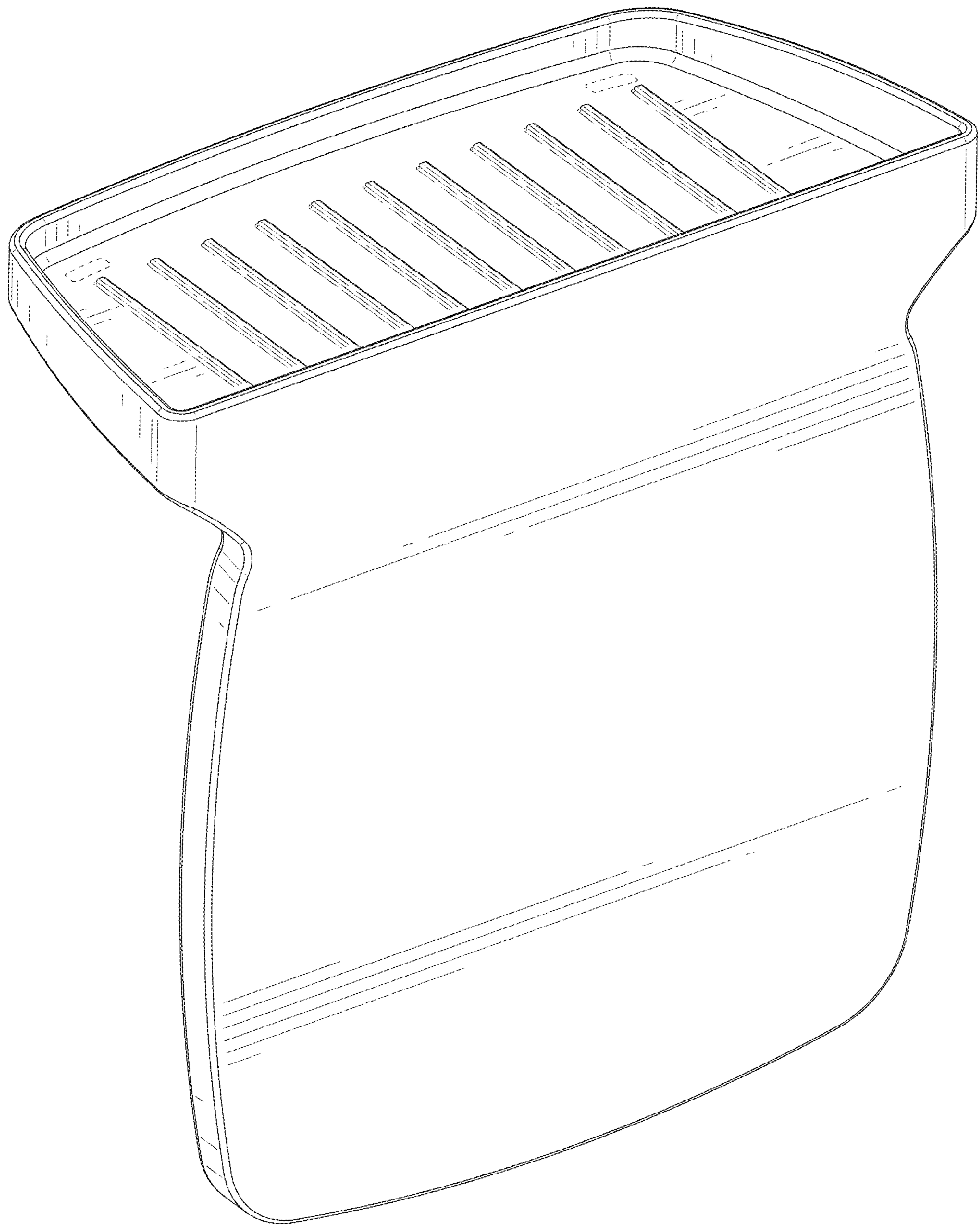


FIG. 2

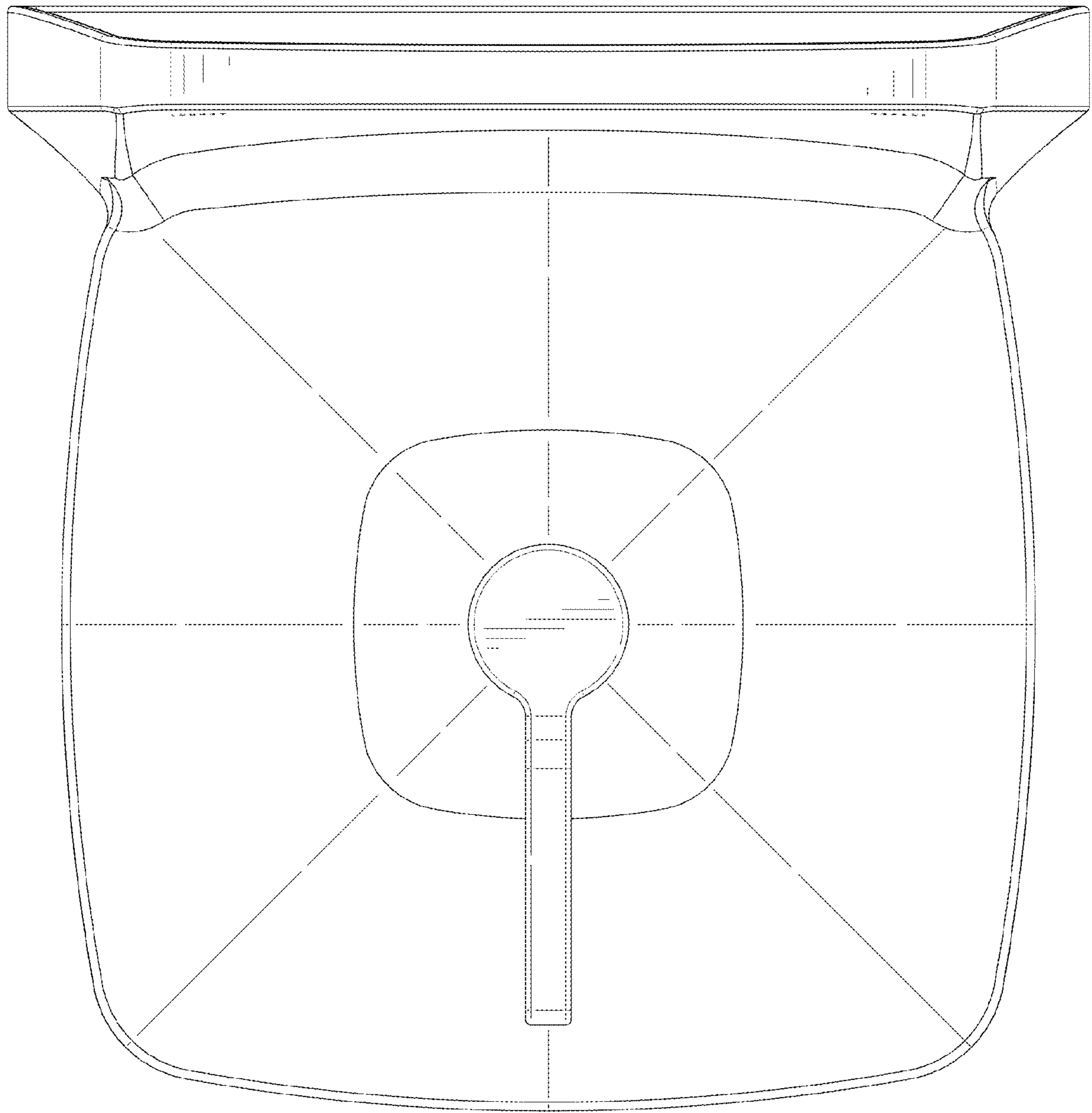


FIG. 3

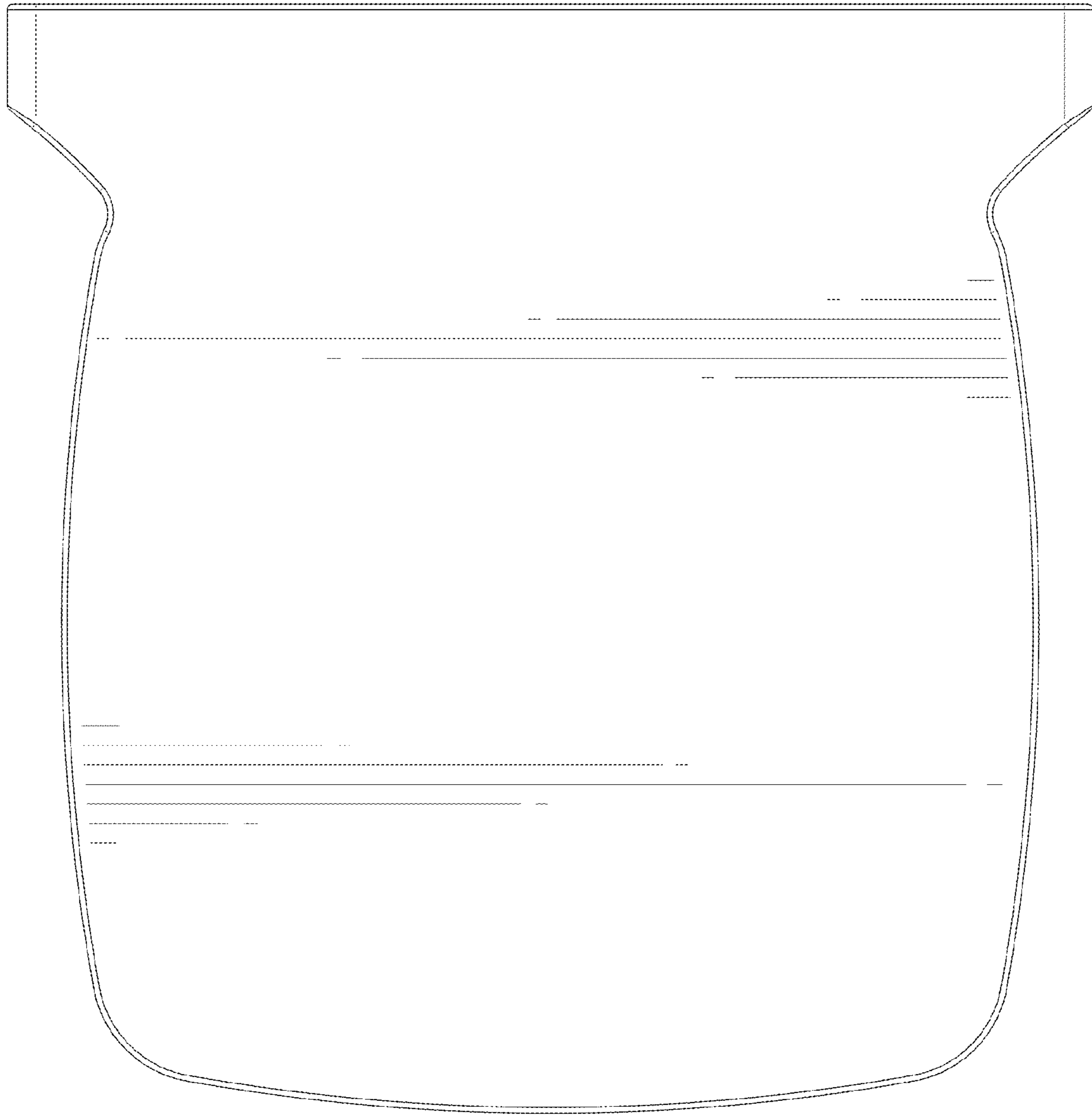


FIG. 4

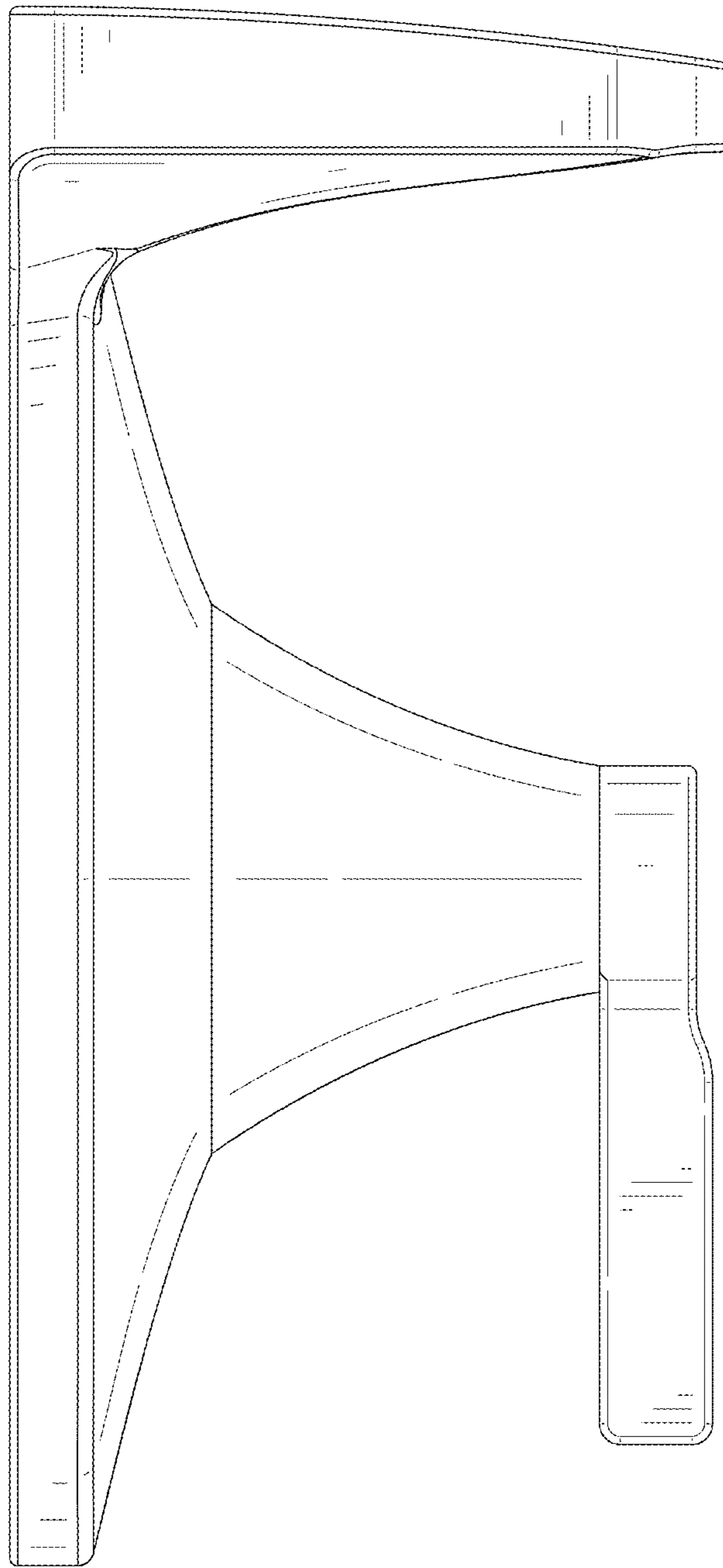


FIG. 5

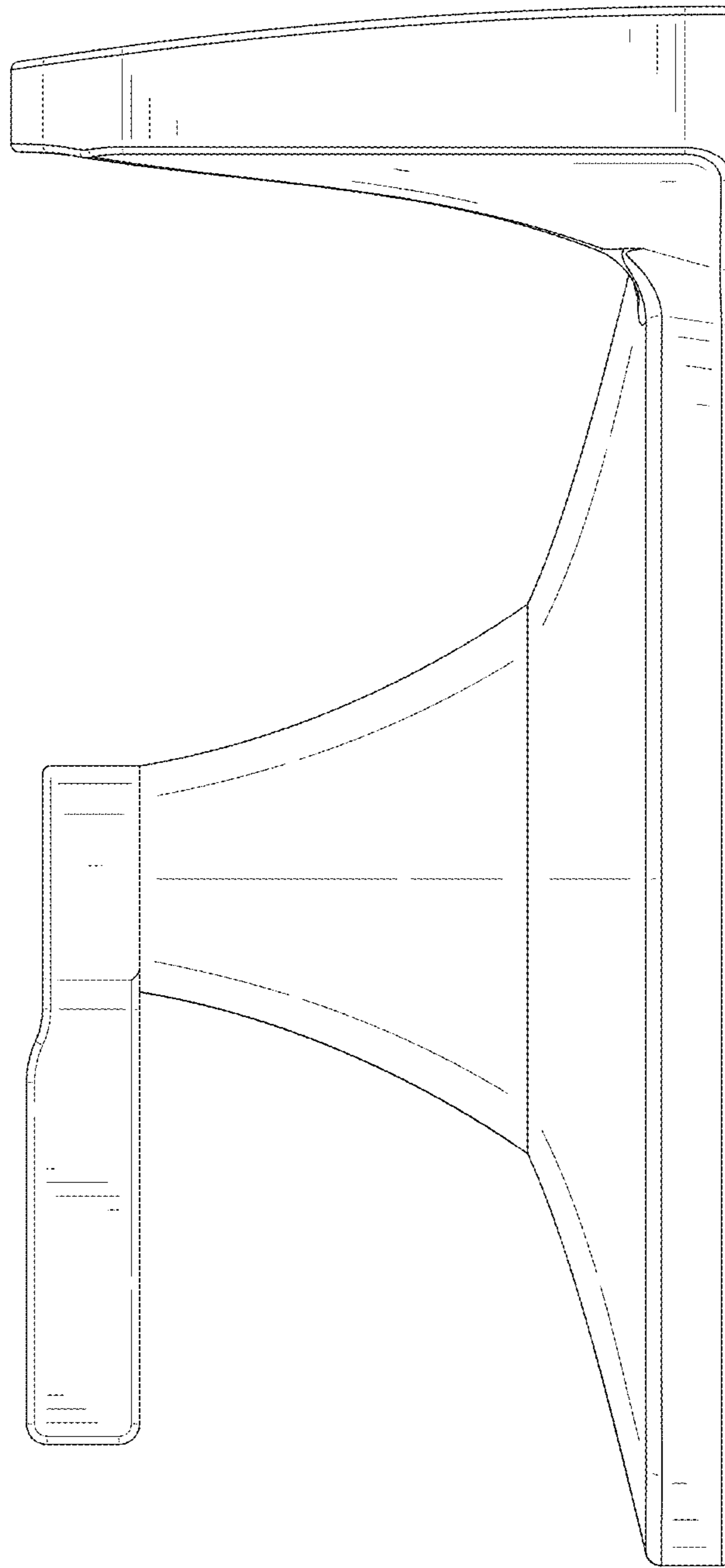


FIG. 6

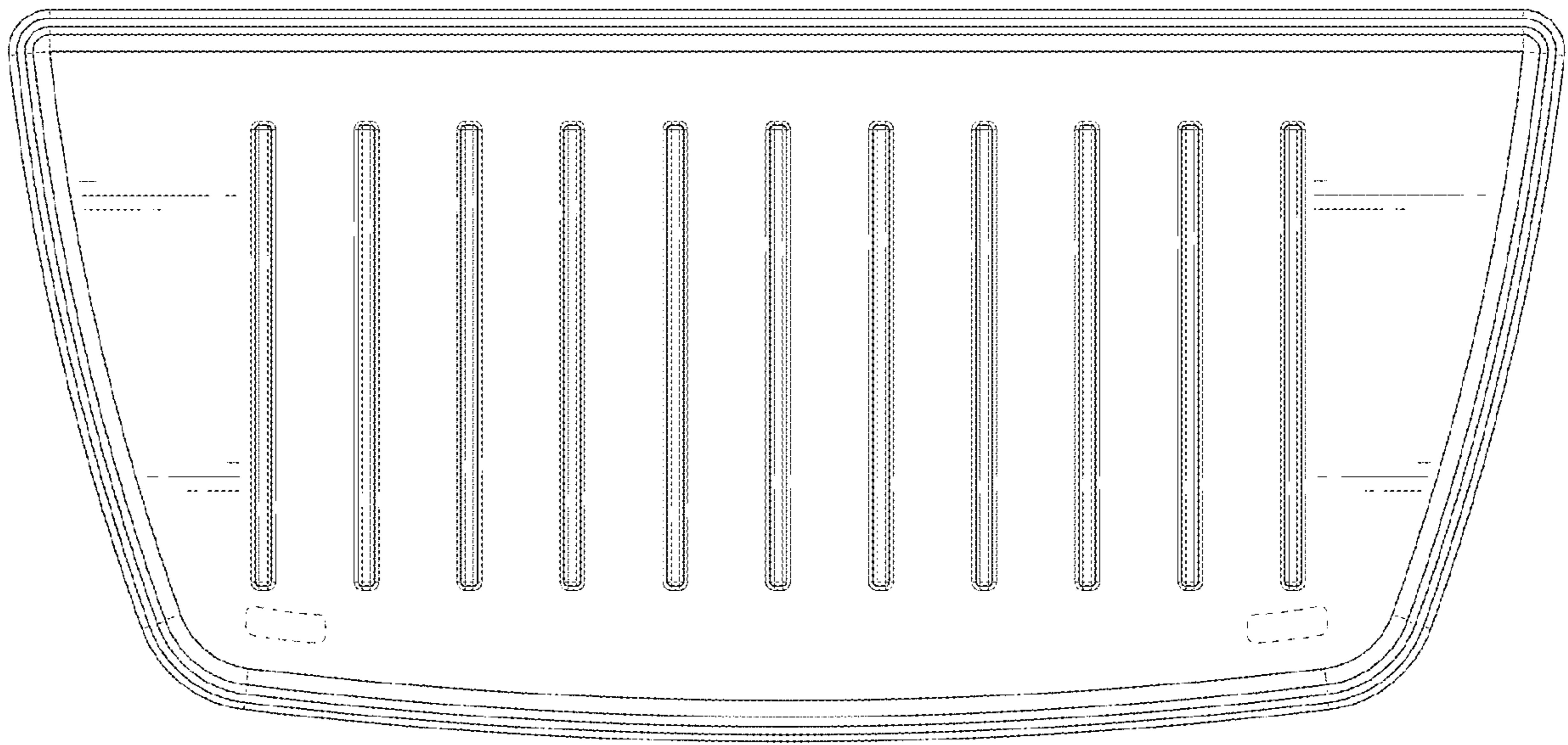


FIG. 7

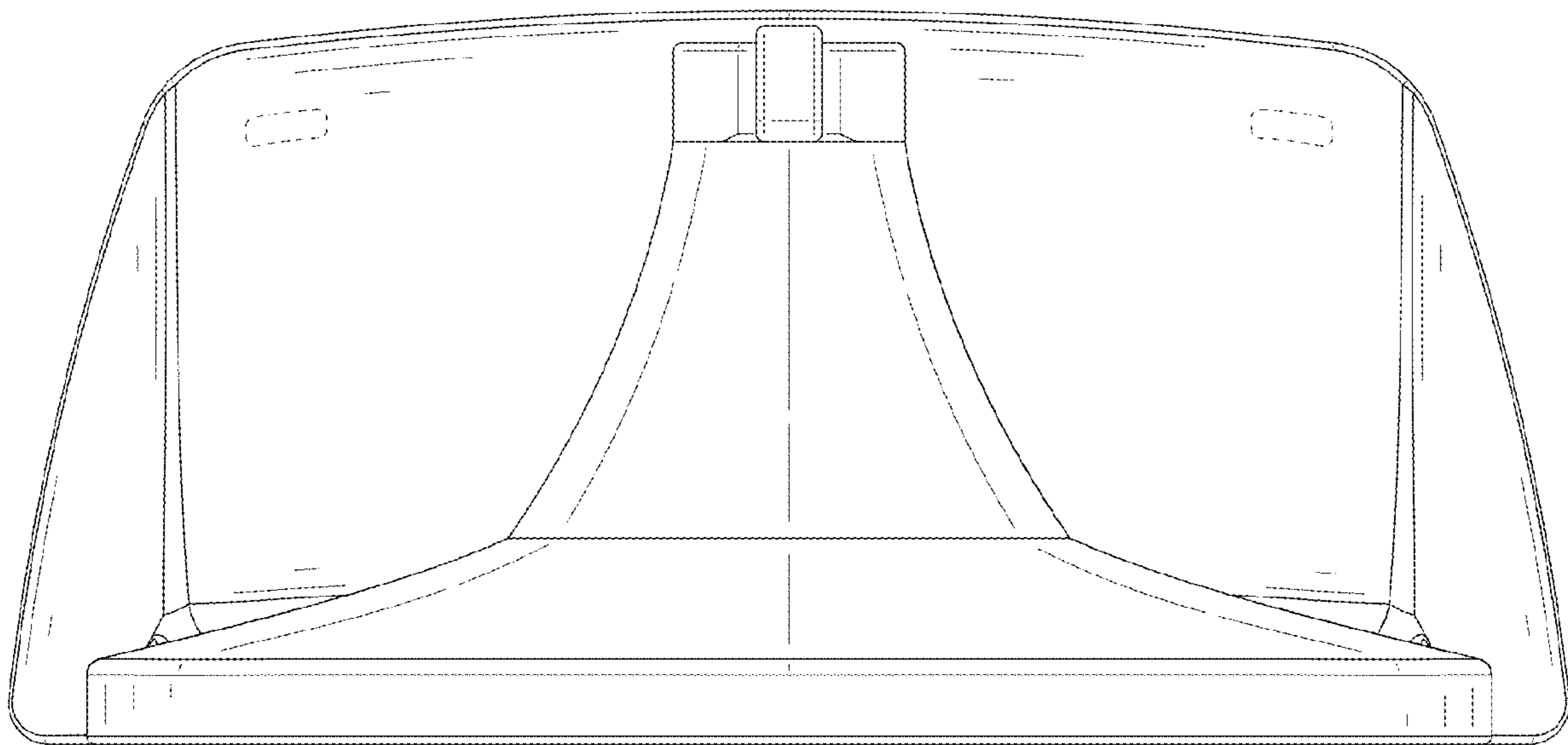


FIG. 8