



US00D932593S

(12) **United States Design Patent** (10) **Patent No.:** **US D932,593 S**
Smith (45) **Date of Patent:** **** Oct. 5, 2021**

(54) **FAUCET**

FOREIGN PATENT DOCUMENTS

(71) Applicant: **DELTA FAUCET COMPANY,**
Indianapolis, IN (US)

CA 130514 * 3/2009

(72) Inventor: **Logan Smith,** Louisville, KY (US)

OTHER PUBLICATIONS

(73) Assignee: **DELTA FAUCET COMPANY,**
Indianapolis, IN (US)

Danze D404457 Kitchen Faucet, first available Jan. 20, 2016 [online], [site visited Mar. 24, 2021]. Available from internet, URL:<https://www.amazon.com/Danze-D404457-Opulence-Handle-Kitchen/dp/B01AUS9D2C> (Year: 2016).*

(**) Term: **15 Years**

* cited by examiner

(21) Appl. No.: **29/725,795**

Primary Examiner — Barbara Fox

(22) Filed: **Feb. 27, 2020**

Assistant Examiner — Jamaal Rasheed

(51) **LOC (13) Cl.** **23-01**

(74) *Attorney, Agent, or Firm* — Nirav D. Parikh; Edgar A. Zarins

(52) **U.S. Cl.**
USPC **D23/242**

(58) **Field of Classification Search**
USPC D23/238–244, 252, 254–255, 257;
D8/307–308
CPC F16K 31/602; F16K 31/605; F16K 31/607;
E03C 1/0412
See application file for complete search history.

(57) **CLAIM**

The ornamental design for a faucet, as shown and described.

(56) **References Cited**

DESCRIPTION

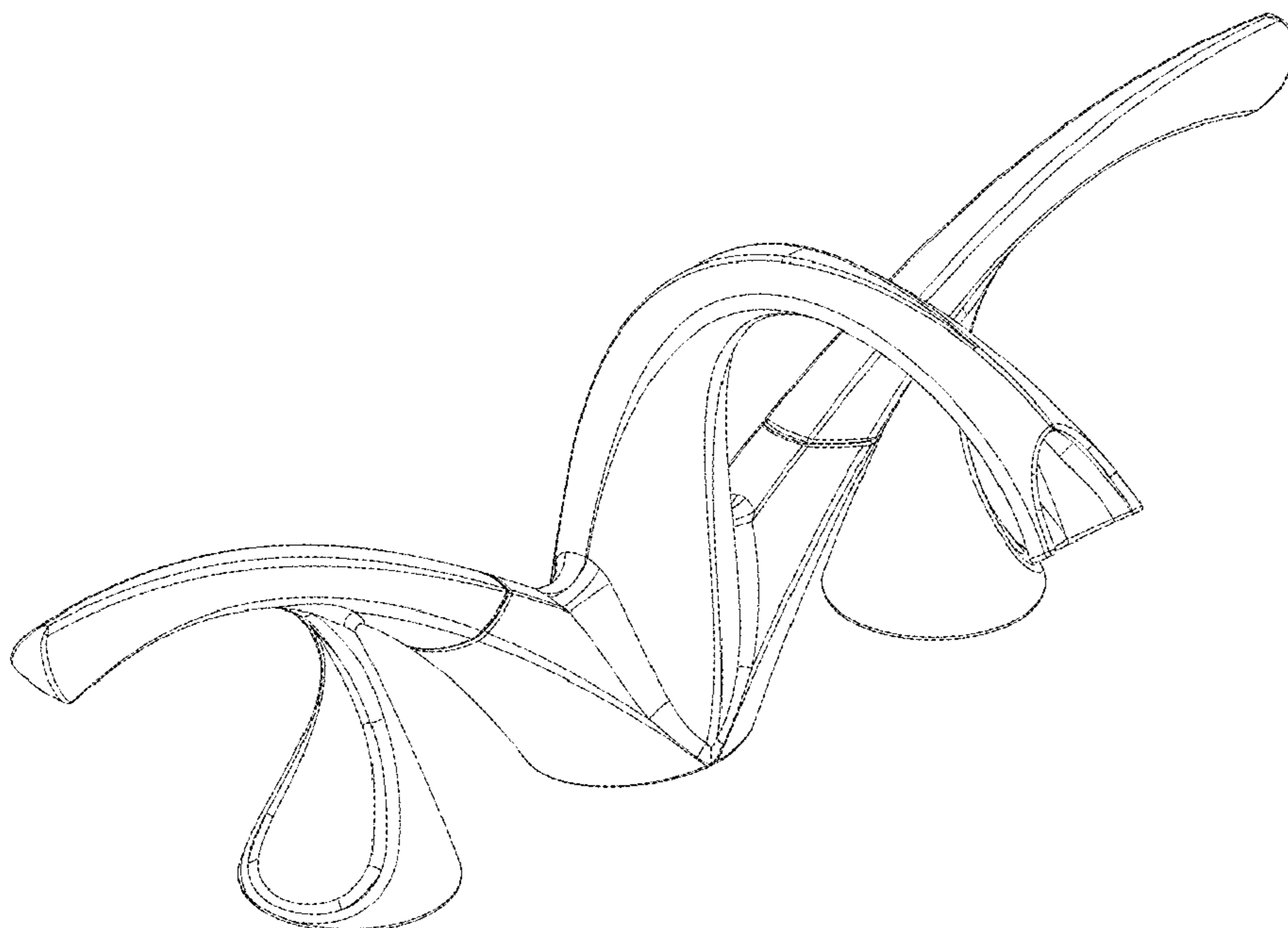
U.S. PATENT DOCUMENTS

D532,871 S *	11/2006	Berberet	D23/241
D540,918 S *	4/2007	Haug	D23/241
D569,482 S *	5/2008	Hanna	D23/238
D589,595 S *	3/2009	Eilmus	D23/238
D590,920 S *	4/2009	Eckhaus	D23/238
D601,664 S *	10/2009	Bailey	D23/241
D608,862 S *	1/2010	Bailey	D23/249
D792,560 S *	7/2017	Kulig	D23/249
D840,510 S *	2/2019	Garland	D23/242
D852,327 S *	6/2019	Garland	D23/242
2014/0150896 A1 *	6/2014	Guan	E03C 1/0404 137/315.01

FIG. 1 is a front perspective view of a faucet showing my new design;
FIG. 2 is a rear perspective view thereof;
FIG. 3 is a front elevational view thereof;
FIG. 4 is a left side view thereof;
FIG. 5 is a rear view thereof;
FIG. 6 is a right side view thereof;
FIG. 7 is a top plan view thereof; and,
FIG. 8 is a bottom view thereof.

The broken lines shown in the drawings depict portions of the faucet that form no part of the claimed design.

1 Claim, 4 Drawing Sheets



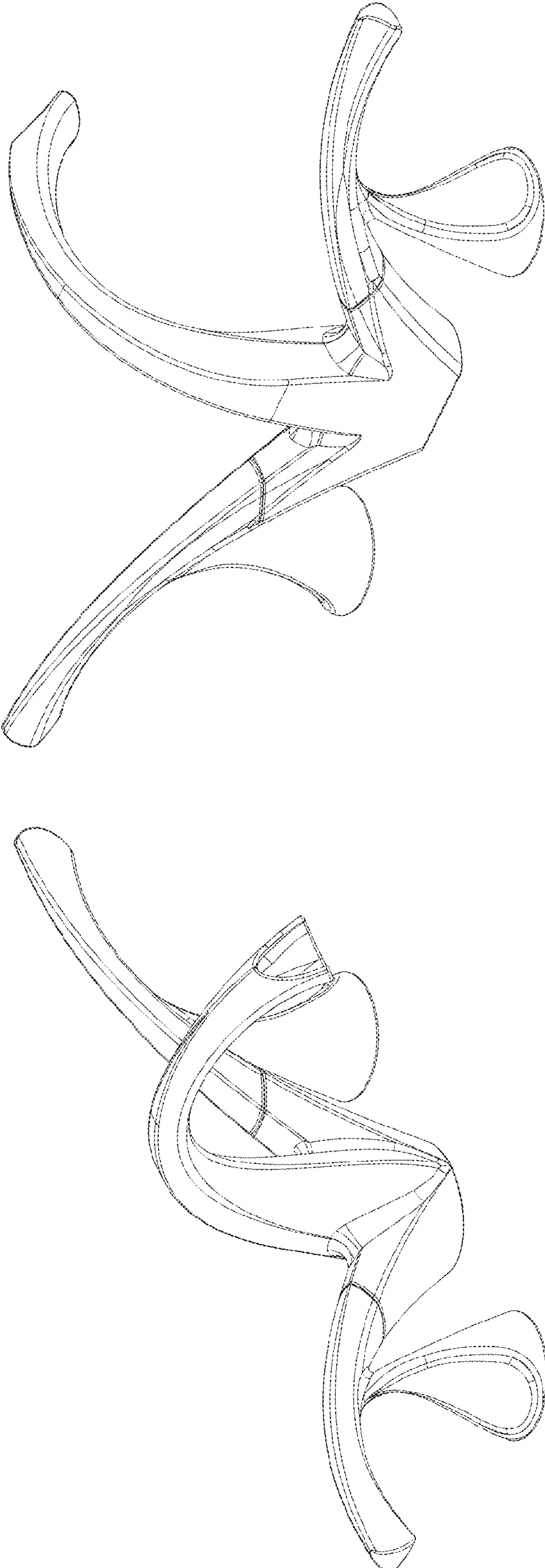


FIG. 2

FIG. 1

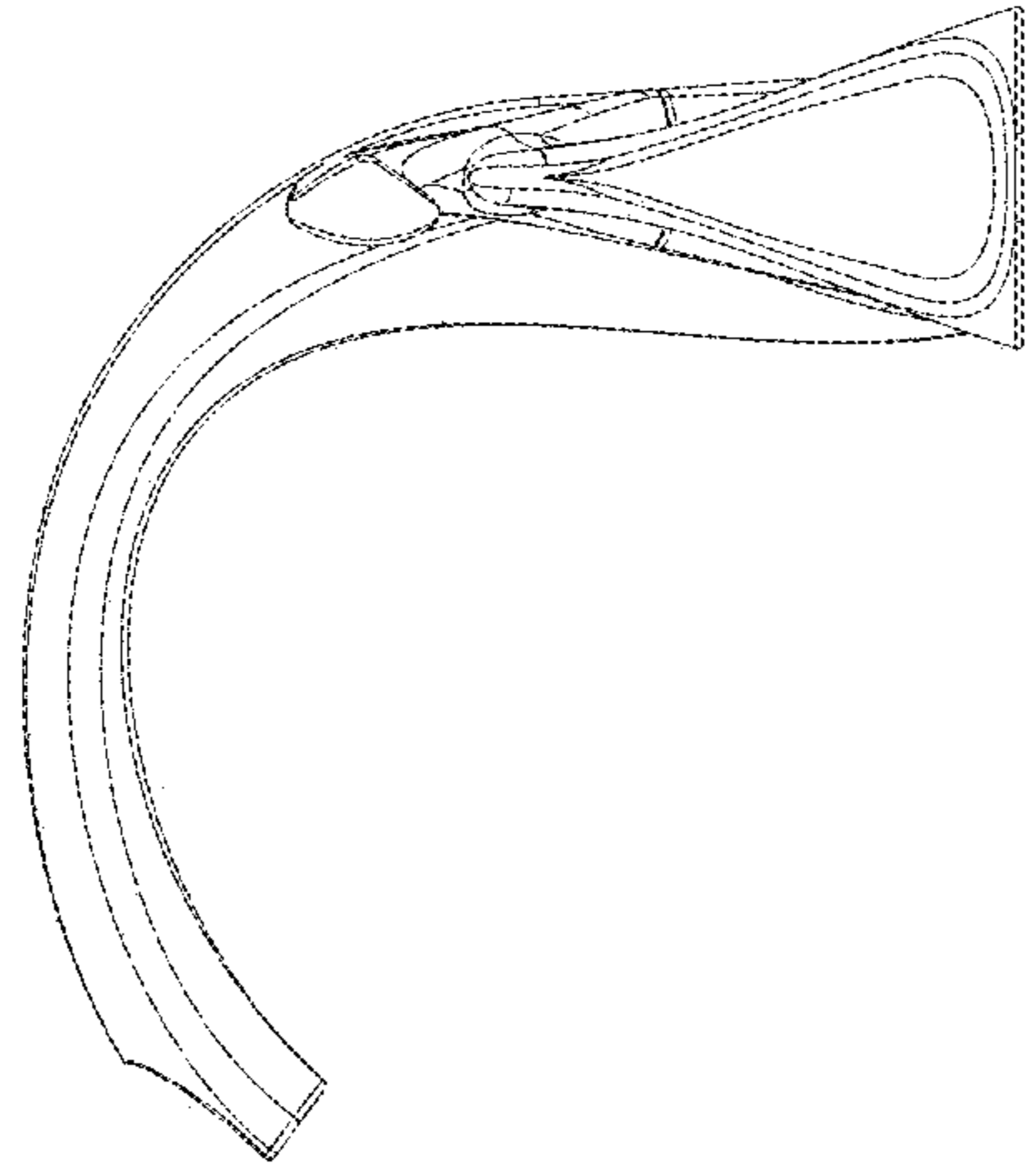


FIG. 4

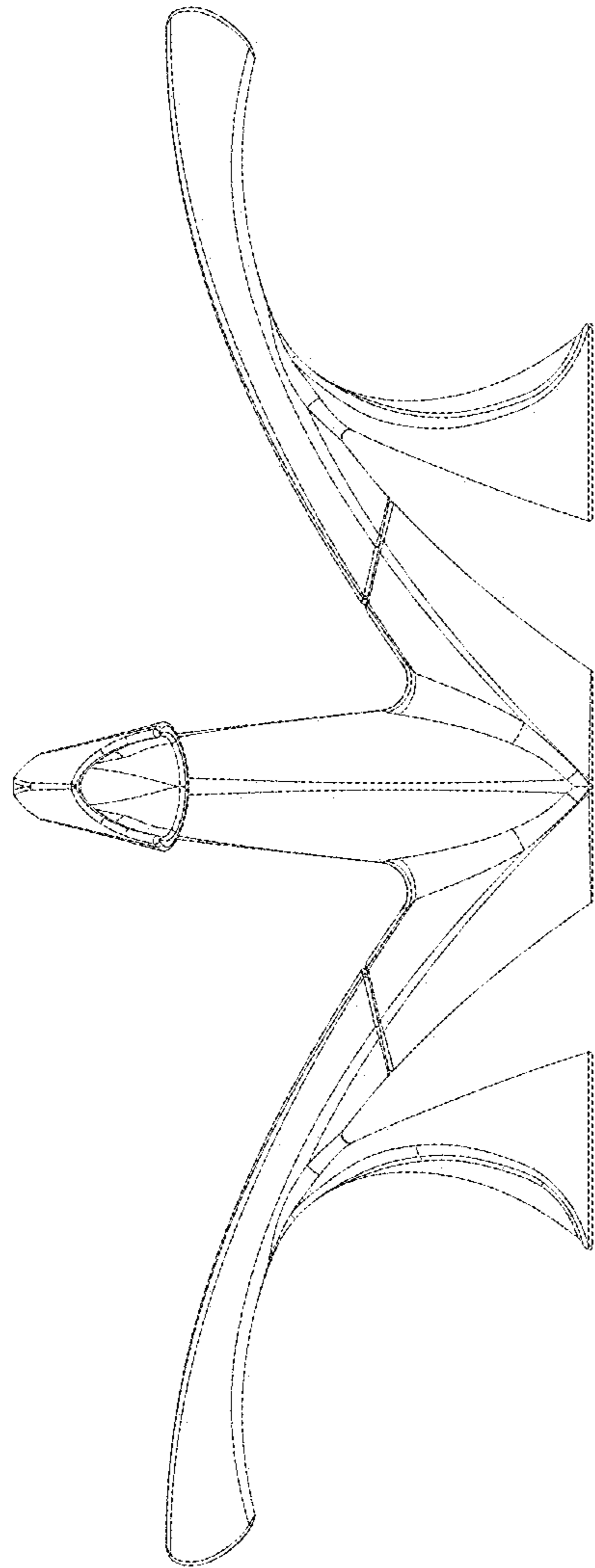


FIG. 3

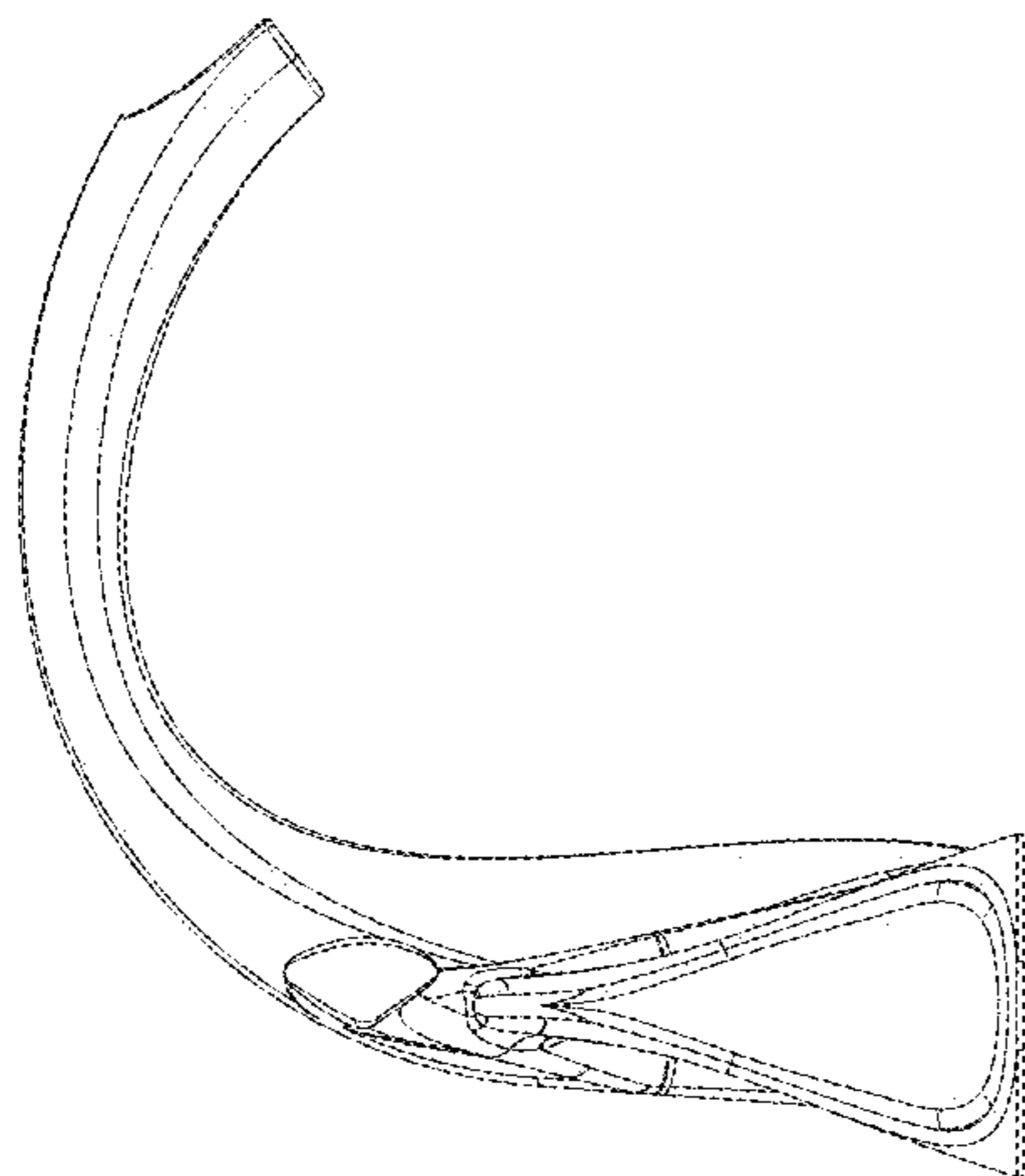


FIG. 6

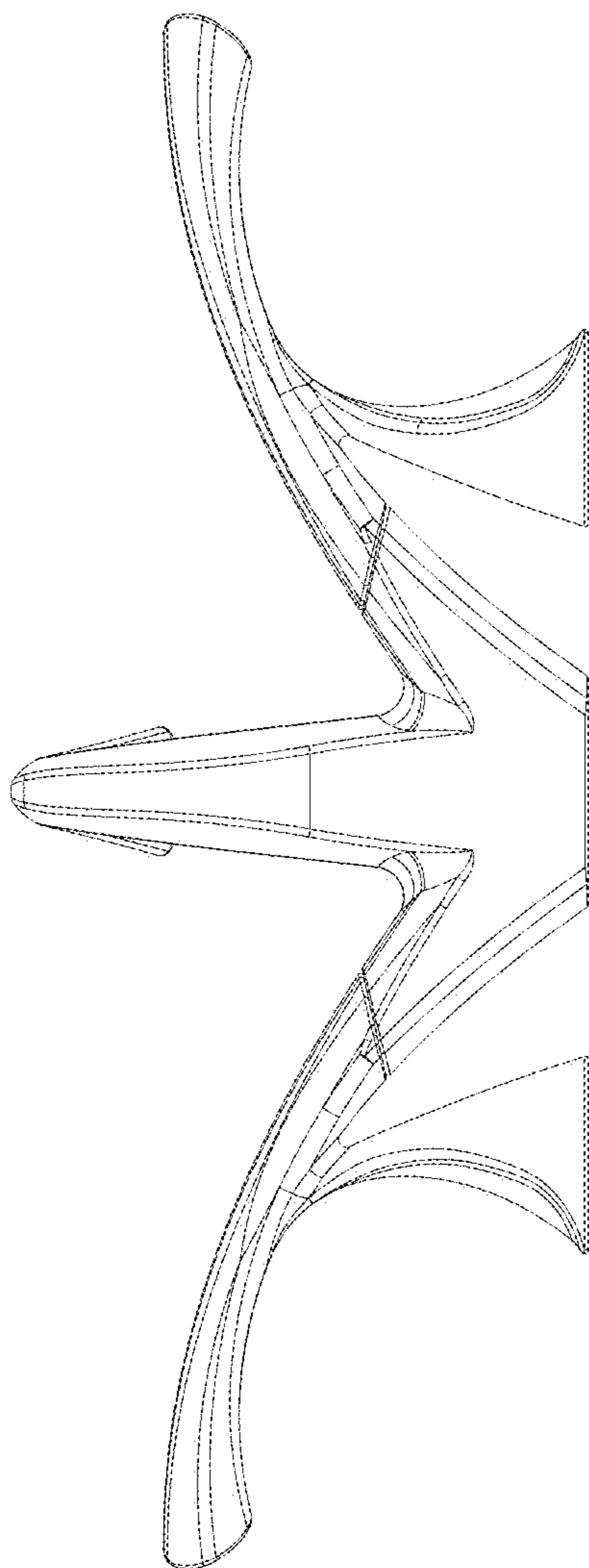


FIG. 5

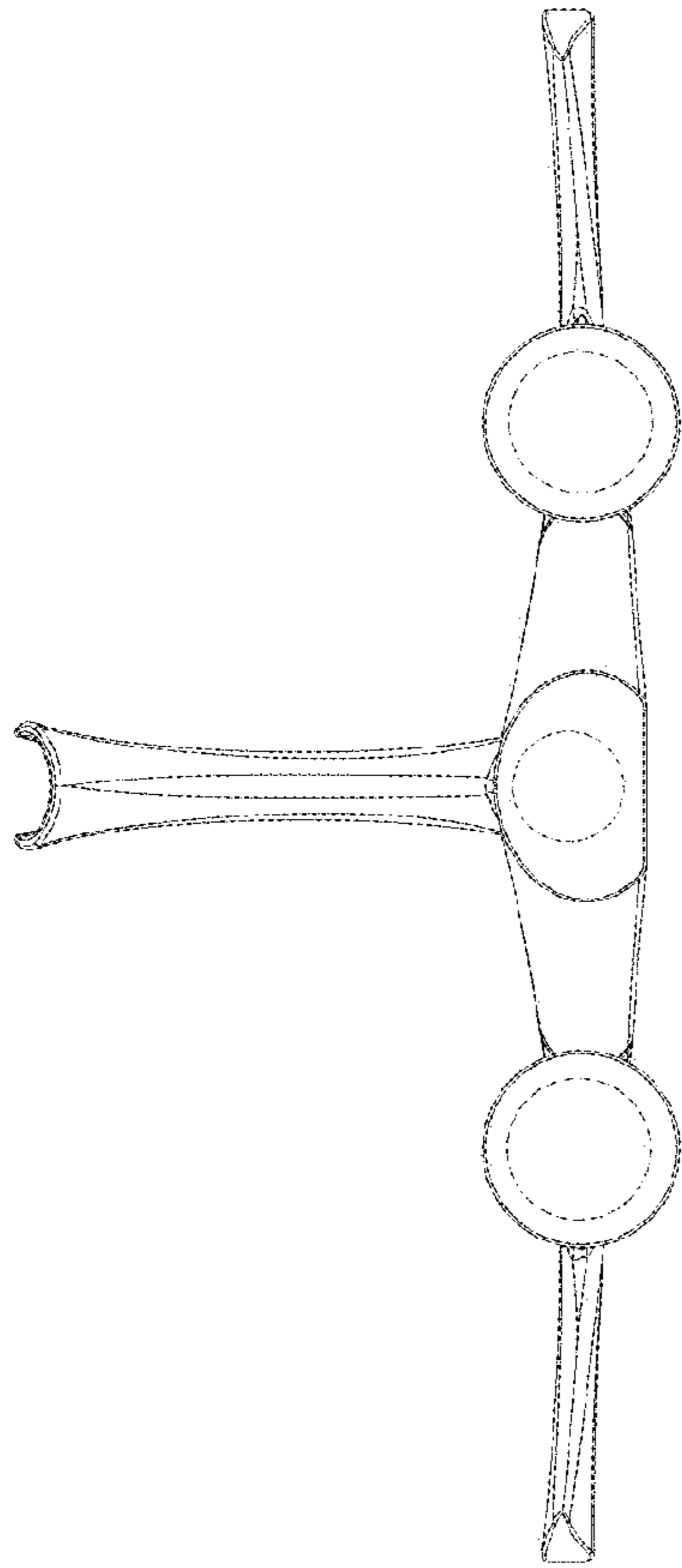


FIG. 8

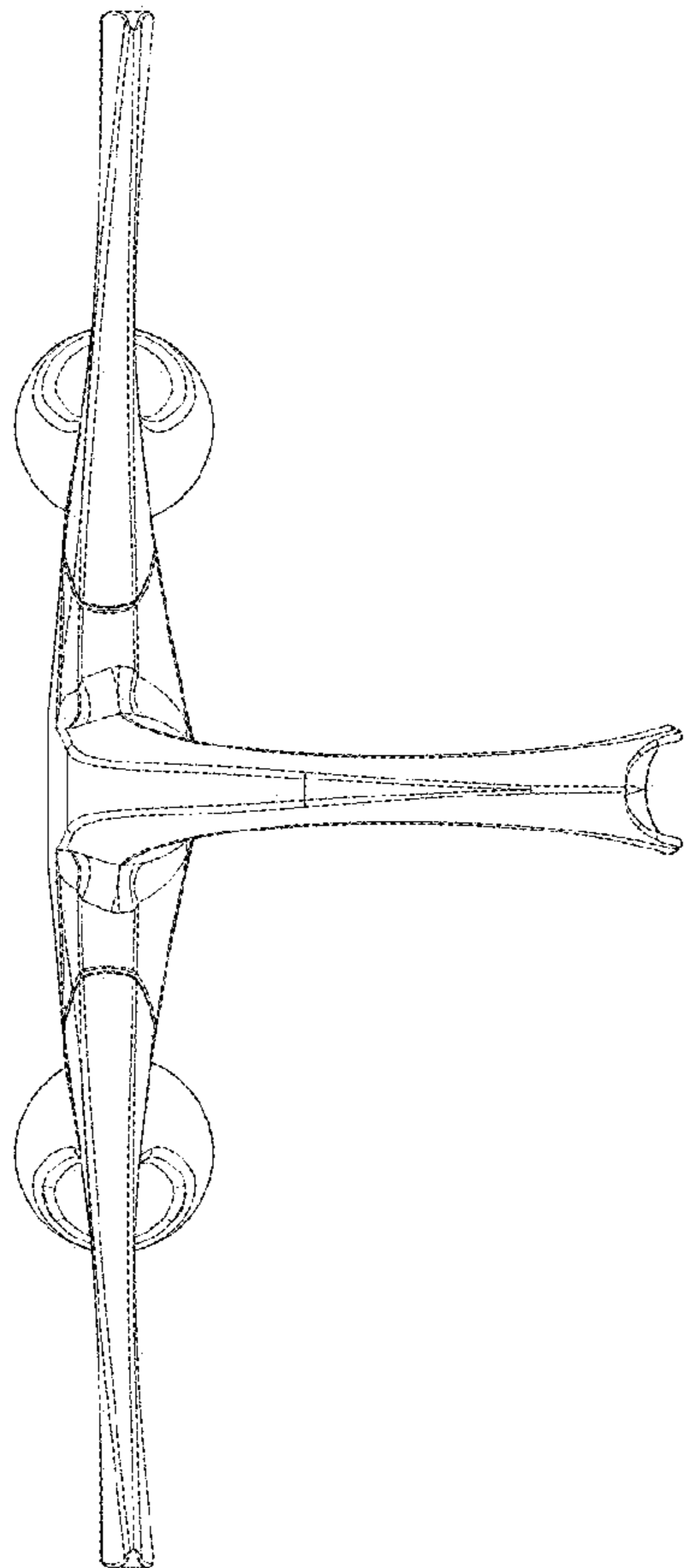


FIG. 7