



US00D932592S

(12) **United States Design Patent** (10) **Patent No.:** **US D932,592 S**  
**Lazarini** (45) **Date of Patent:** **\*\* Oct. 5, 2021**

(54) **FAUCET**

(71) Applicant: **DELTA FAUCET COMPANY,**  
Indianapolis, IN (US)

(72) Inventor: **Alejandra Lazarini,** Carmel, IN (US)

(73) Assignee: **DELTA FAUCET COMPANY,**  
Indianapolis, IN (US)

(\*\*) Term: **15 Years**

(21) Appl. No.: **29/710,393**

(22) Filed: **Oct. 23, 2019**

(51) **LOC (13) Cl.** ..... **23-01**

(52) **U.S. Cl.**  
USPC ..... **D23/238**

(58) **Field of Classification Search**  
USPC ..... D23/238-244, 252, 254-255, 257;  
D8/307-308

CPC .... F16K 31/602; F16K 31/605; F16K 31/607;  
E03C 1/0412

See application file for complete search history.

(56) **References Cited**

**U.S. PATENT DOCUMENTS**

D511,811 S	*	11/2005	Lord	.....	D23/238
D576,710 S	*	9/2008	Fritz	.....	D23/238
D581,030 S	*	11/2008	Fritz	.....	D23/255
D586,429 S	*	2/2009	Fritz	.....	D23/238
D677,757 S	*	3/2013	Lord	.....	D23/238
D680,622 S	*	4/2013	Berger	.....	D23/238
D790,667 S	*	6/2017	Schaubach	.....	D23/252
D851,733 S	*	6/2019	Spangler	.....	D23/252
D854,662 S	*	7/2019	Schaubach	.....	D23/255
D854,663 S	*	7/2019	Chen	.....	D23/255
D861,137 S	*	9/2019	Chen	.....	D23/255

**FOREIGN PATENT DOCUMENTS**

CA 189740 \* 9/2019

**OTHER PUBLICATIONS**

Waterfall Faucet, announced Date unavailable [online], [site visited Mar. 10, 2021]. Available from internet, URL:<<https://www.homary.com/quad-square-slanted-single-hole-1-handle-waterfall-faucet-solid-brass-for-bathroom-sink-in-matte-black.html>> (Year: 2021).\*

\* cited by examiner

*Primary Examiner* — Barbara Fox

*Assistant Examiner* — Jamaal Rasheed

(74) *Attorney, Agent, or Firm* — Nirav D. Parikh; Edgar A. Zarins

(57) **CLAIM**

The ornamental design for a faucet, as shown and described.

**DESCRIPTION**

FIG. 1 is a front perspective view of a faucet showing my new design;

FIG. 2 is a rear perspective view thereof;

FIG. 3 is a front elevational view thereof;

FIG. 4 is a left side view thereof;

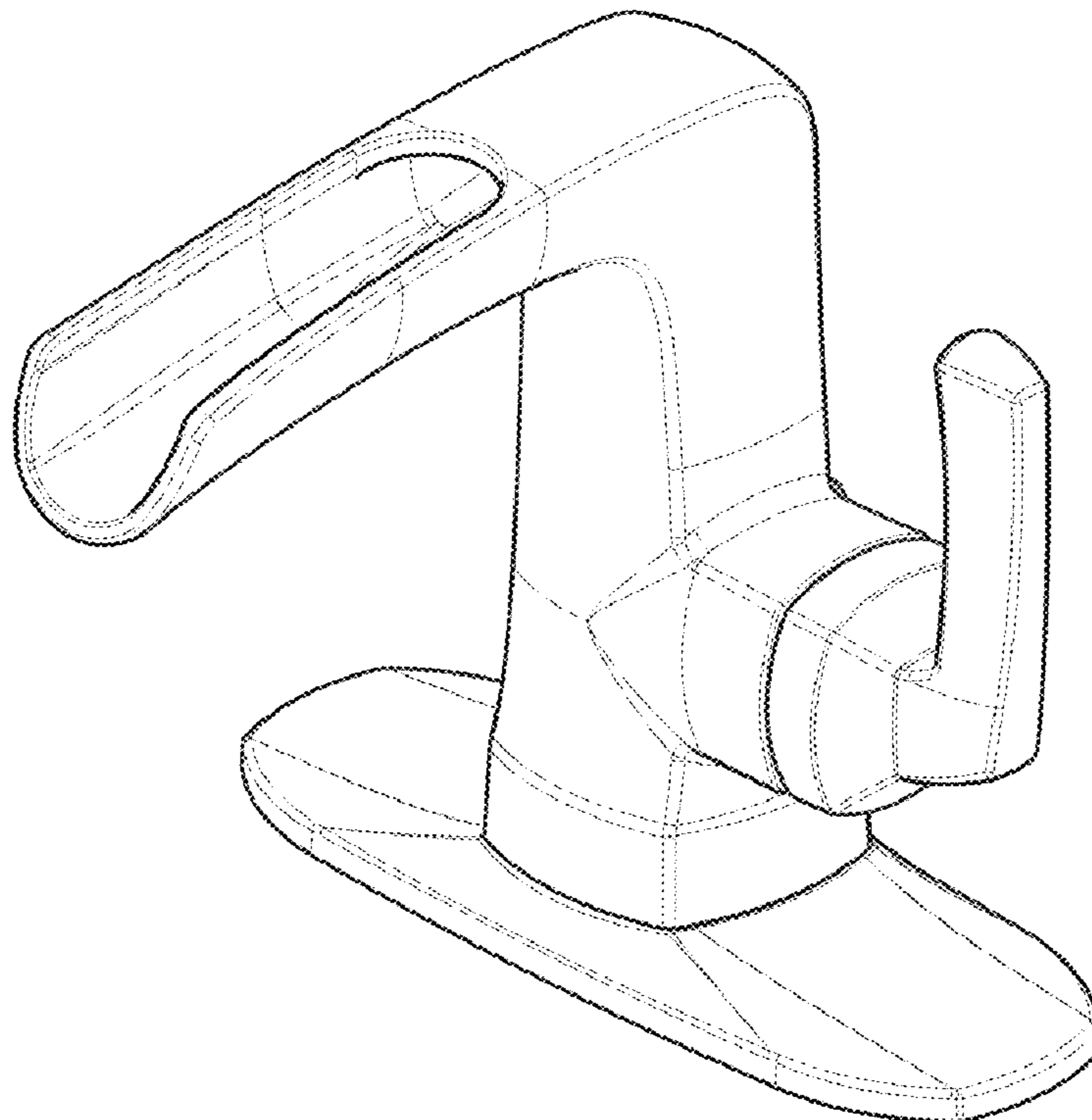
FIG. 5 is a rear view thereof;

FIG. 6 is a right side view thereof;

FIG. 7 is a top plan view thereof; and,

FIG. 8 is a bottom view thereof.

**1 Claim, 4 Drawing Sheets**



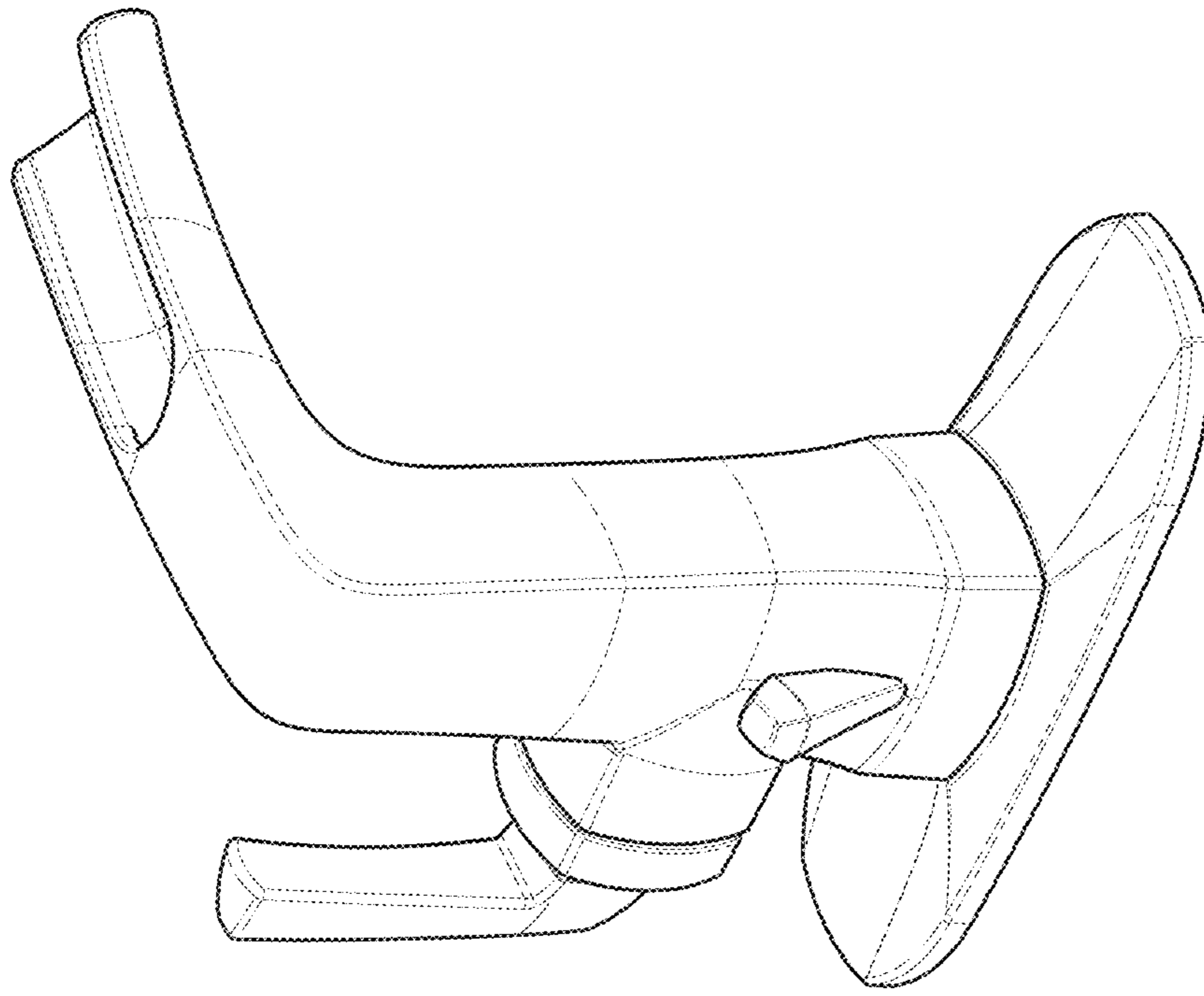


FIG - 2

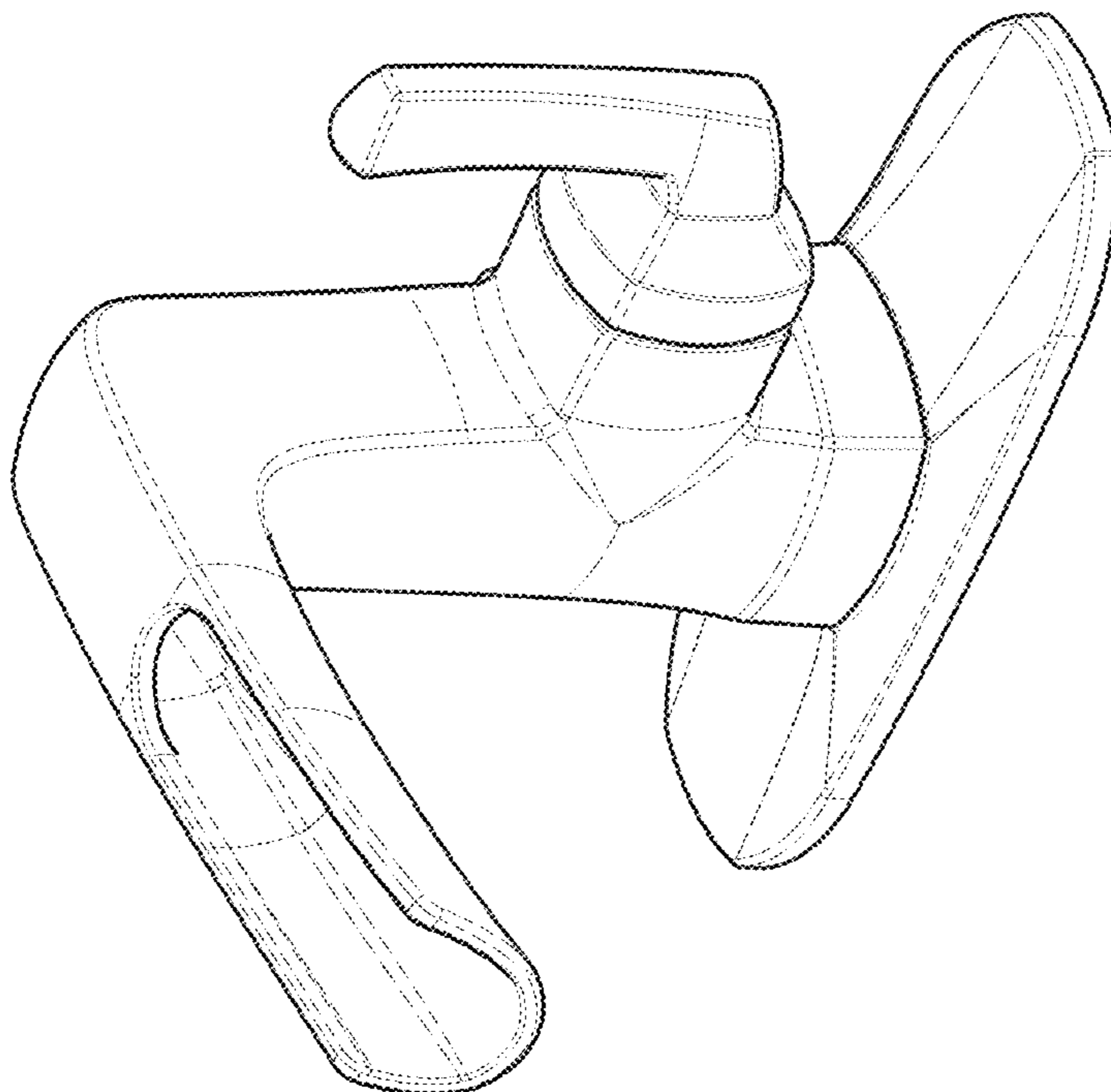


FIG - 1

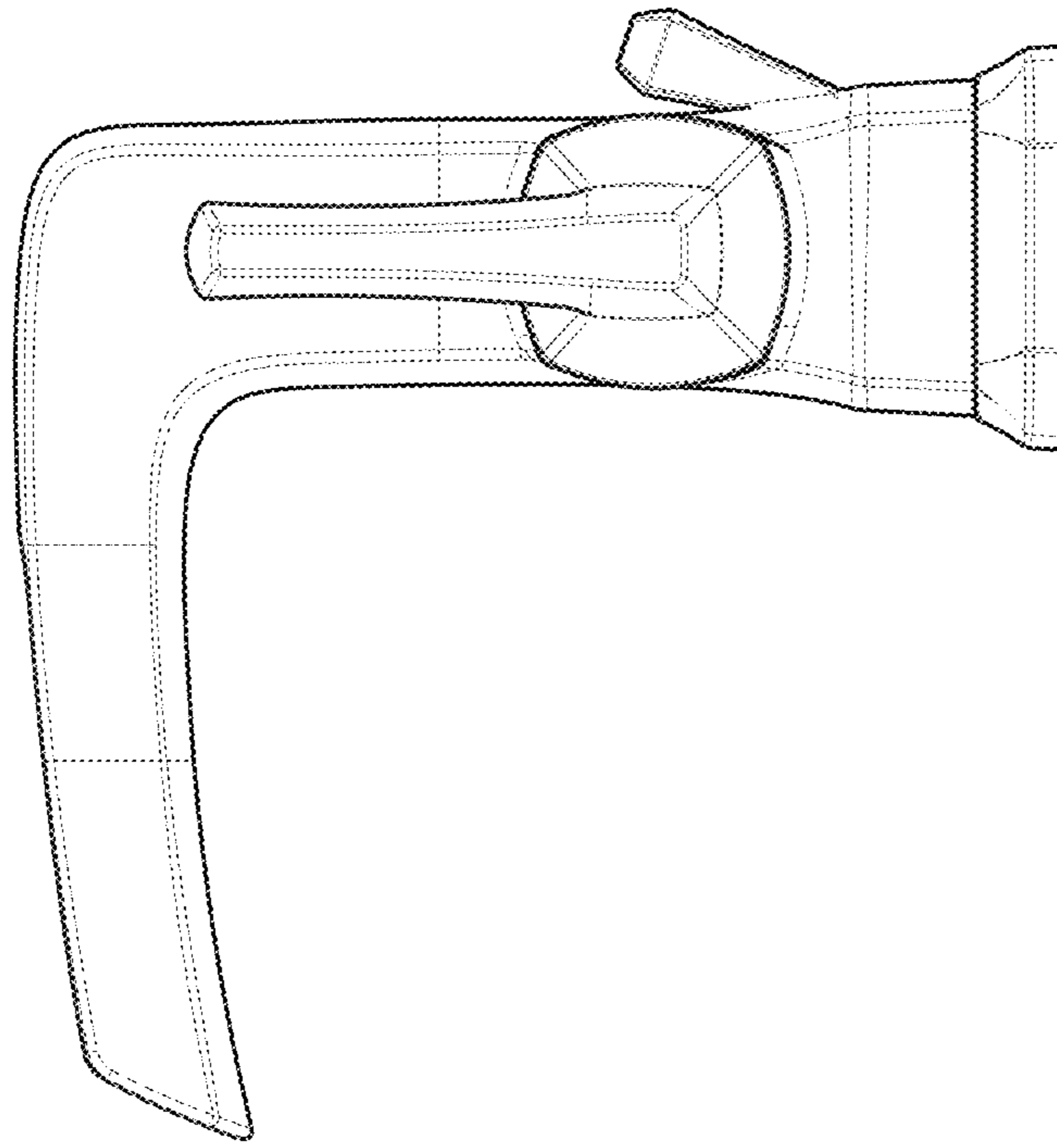


FIG - 4

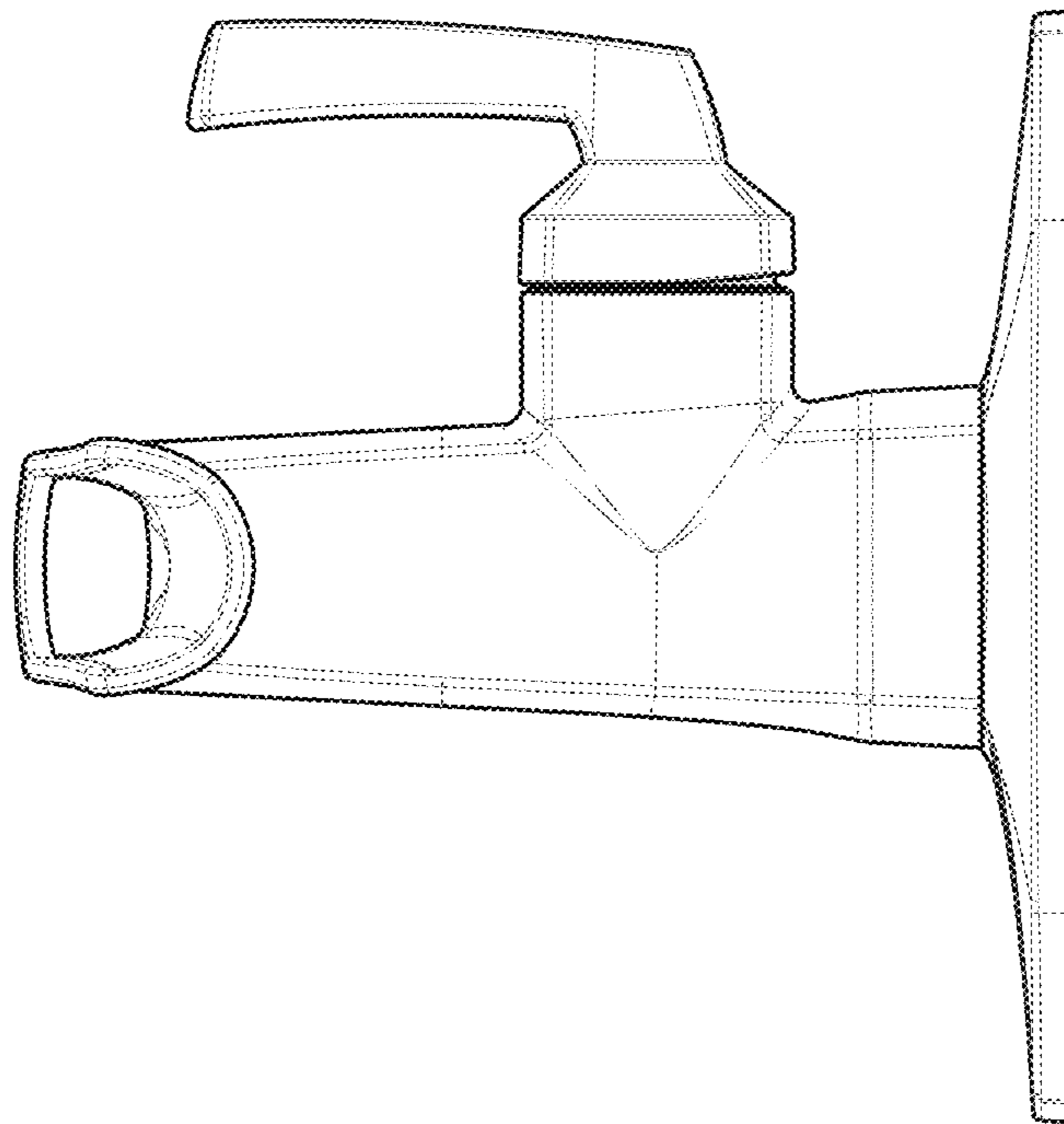


FIG - 3

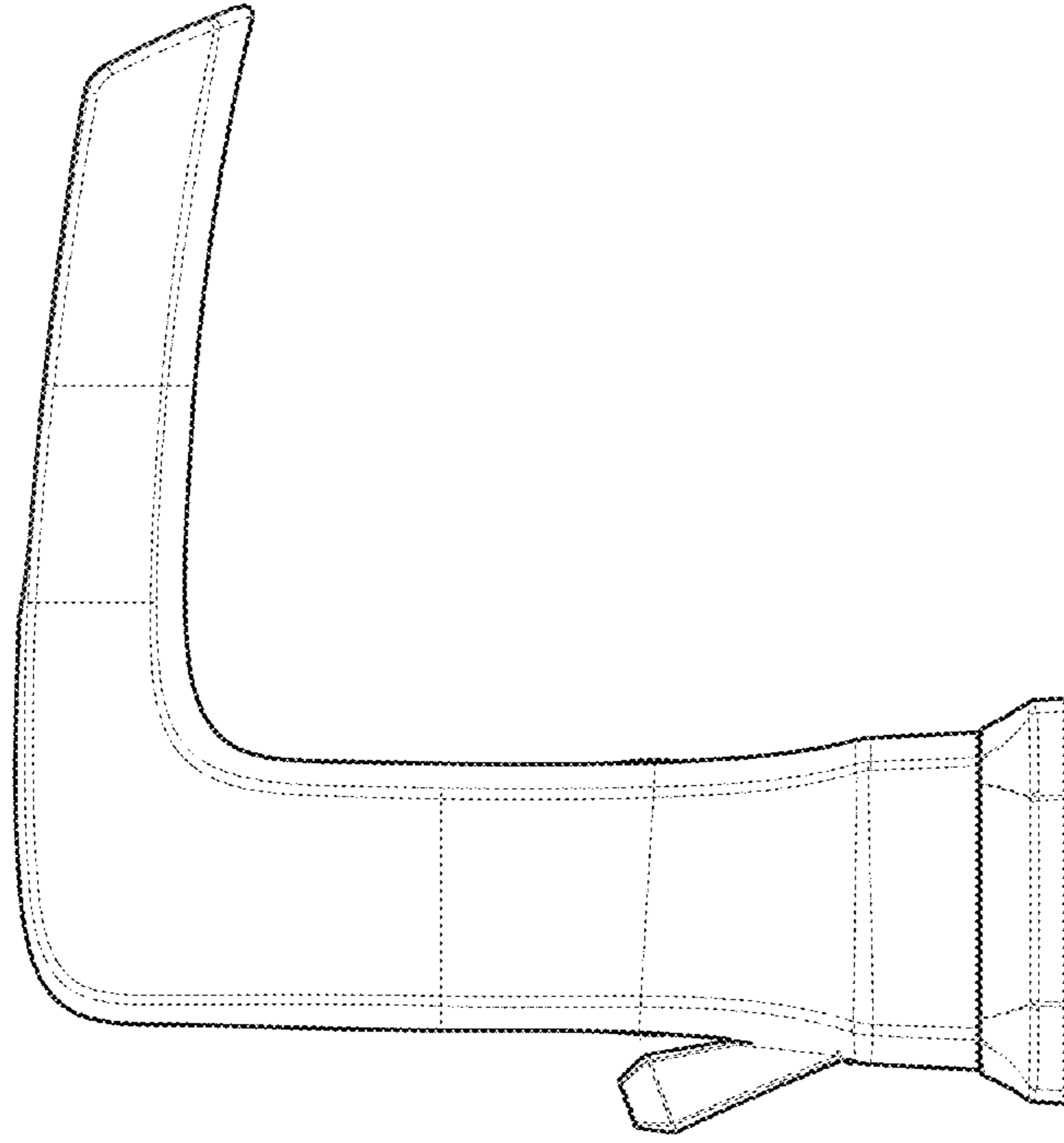


FIG - 6

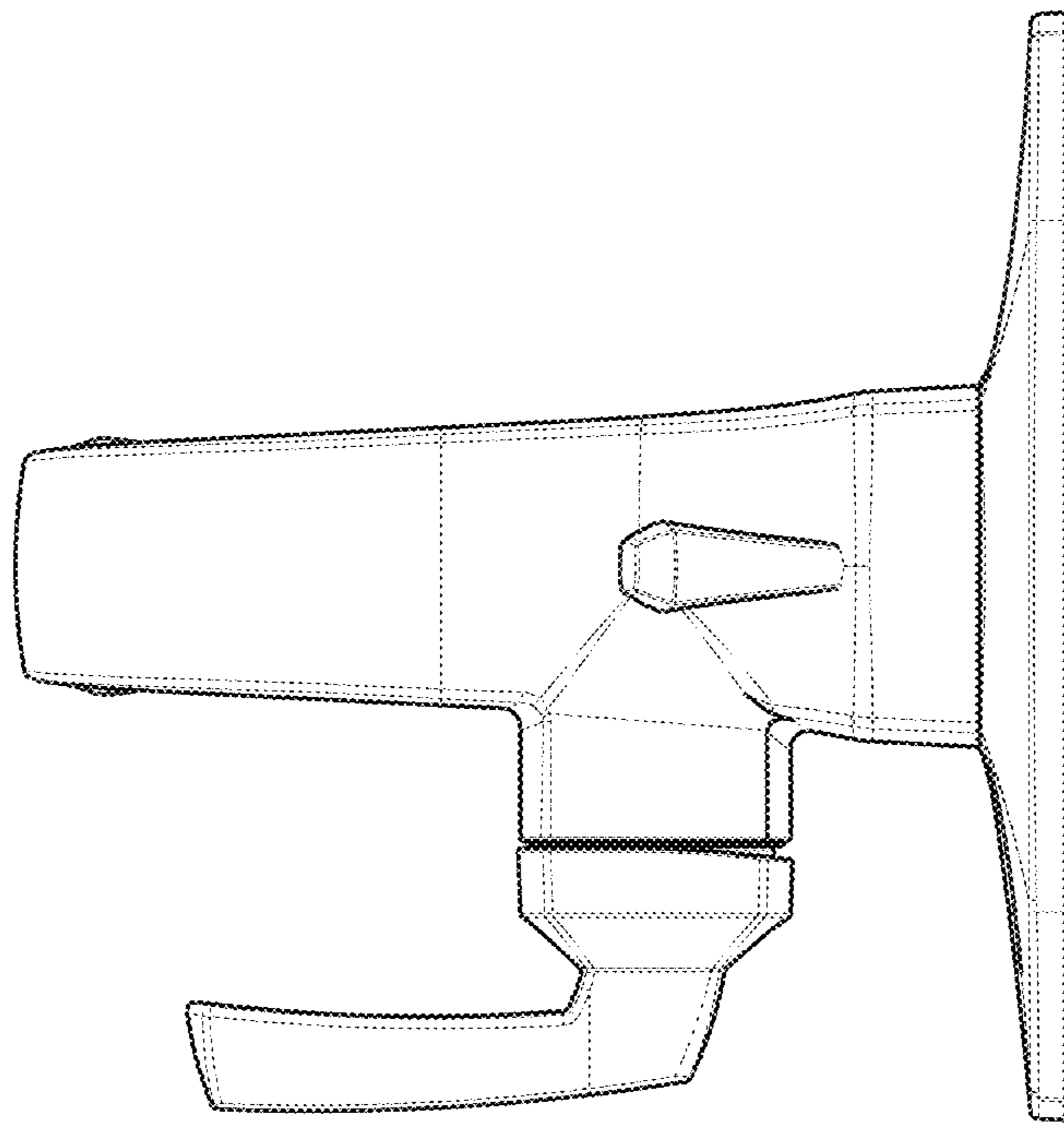


FIG - 5

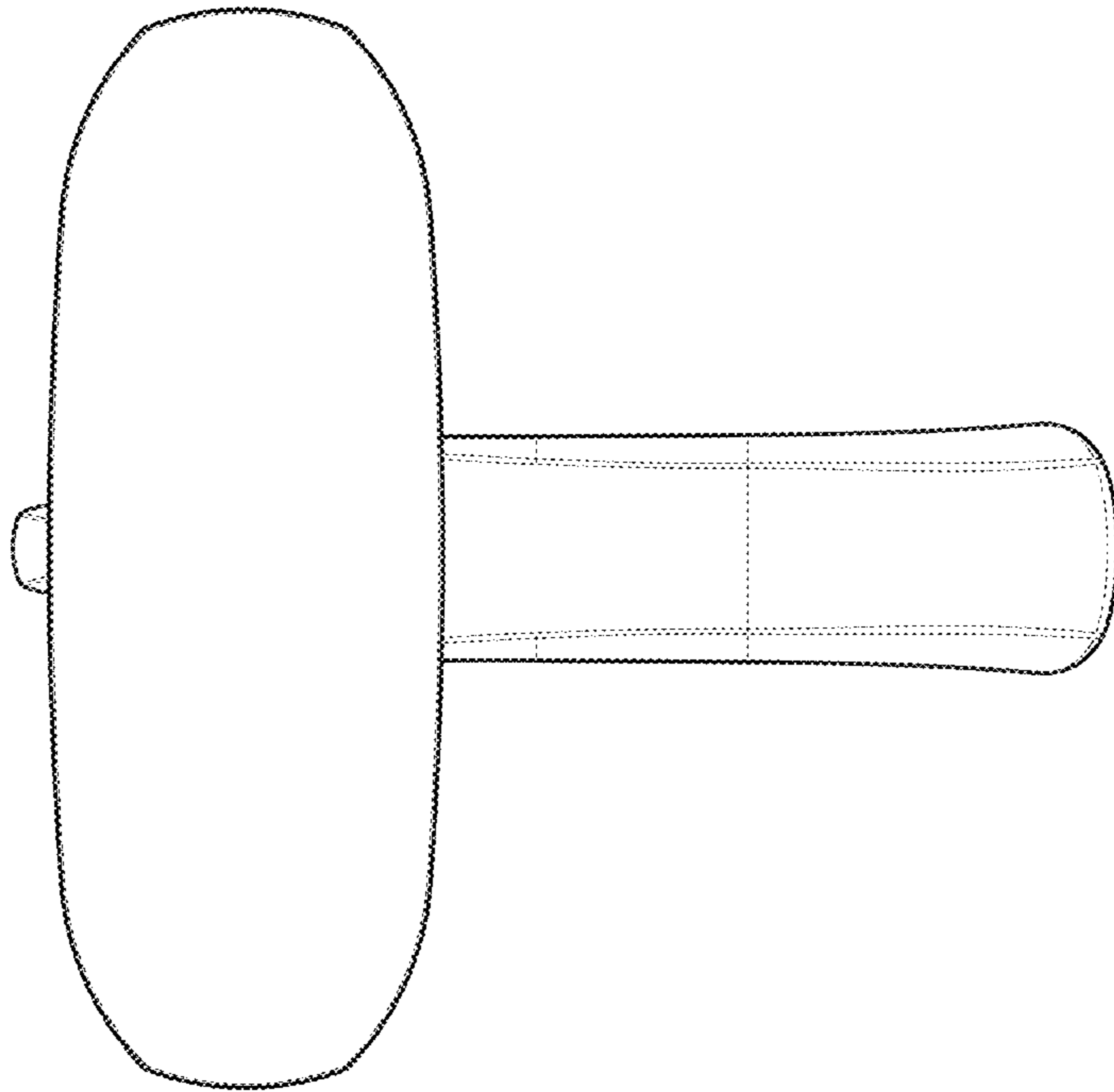


FIG - 8

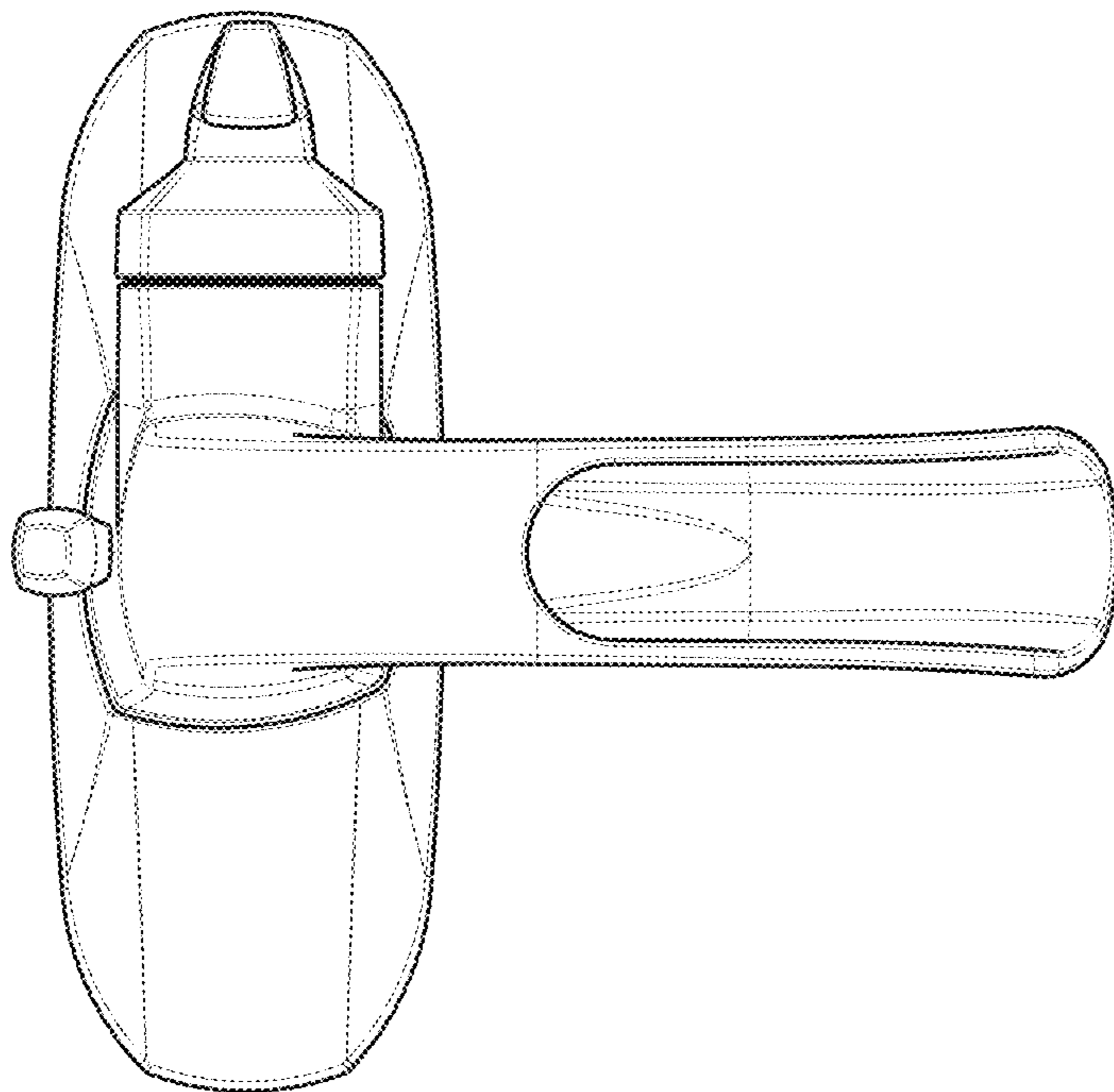


FIG - 7