



US00D932591S

(12) **United States Design Patent** (10) **Patent No.:** **US D932,591 S**
Thun et al. (45) **Date of Patent:** **** Oct. 5, 2021**

(54) **HANDSHOWER**

D810,233 S * 2/2018 Winter D23/213
D832,398 S * 10/2018 Lin D23/223
D901,628 S * 11/2020 Wu D23/213
D914,134 S * 3/2021 Eads D23/213

(71) Applicant: **XIAMEN AXENT CORPORATION LTD**, Xiamen (CN)

(72) Inventors: **Matteo Thun**, Mailand (IT); **Antonio Rodriguez**, Mailand (IT)

(73) Assignee: **XIAMEN AXENT CORPORATION LTD**, Xiamen (CN)

(**) Term: **15 Years**

(21) Appl. No.: **29/736,928**

(22) Filed: **Jun. 4, 2020**

(30) **Foreign Application Priority Data**

Dec. 5, 2019 (CN) 201930676725.6

(51) **LOC (13) Cl.** **23-01**

(52) **U.S. Cl.**
USPC **D23/223**

(58) **Field of Classification Search**
USPC D23/213, 214, 215, 222, 223, 224, 226,
D23/229, 230

CPC A61H 9/0021; A61H 33/00; B05B 1/00;
B05B 1/14; B05B 1/185; B05B 1/08;
B05B 1/02; B05B 1/26; B05B 12/002;
B05B 1/18; B05B 9/01

See application file for complete search history.

(56) **References Cited**

U.S. PATENT DOCUMENTS

D313,267 S * 12/1990 Lenci D23/213
D357,972 S * 5/1995 Huen D23/223
D668,320 S * 10/2012 Weihreter D23/223
D674,046 S * 1/2013 Berger D23/223
D723,137 S * 2/2015 Nikles D23/223
D761,935 S * 7/2016 McCutcheon D23/213

OTHER PUBLICATIONS

Methven Aio Handheld Shower Head Set, High Pressure Hand Held Showerhead, Sep. 17, 2019, Amazon.com, Aug. 10, 2021 <https://www.amazon.com/Methven-Handheld-Shower-Adjustable-Chrome/dp/B075JZYT6Y> (Year: 2019).*

Aquas X-Jet shower head, May 16, 2018, Amazon.com, Aug. 10, 2021. URL: <https://www.youtube.com/watch?v=RSyeuYKFc4Q> (Year: 2018).*

Nebia by Moen, Mar. 20, 2020, Nebia.com, Aug. 10, 2021. URL: <https://nebia.com/products/nebia-by-moen?> (Year: 2020).*

(Continued)

Primary Examiner — Jack Reickel

Assistant Examiner — Keith J Wilson

(74) *Attorney, Agent, or Firm* — Bayramoglu Law Offices LLC

(57) **CLAIM**

The ornamental design for a handshower, as shown and described.

DESCRIPTION

FIG. 1 is a front perspective view of a handshower showing our new design;

FIG. 2 is a front view thereof;

FIG. 3 is a rear view thereof;

FIG. 4 is a top view thereof;

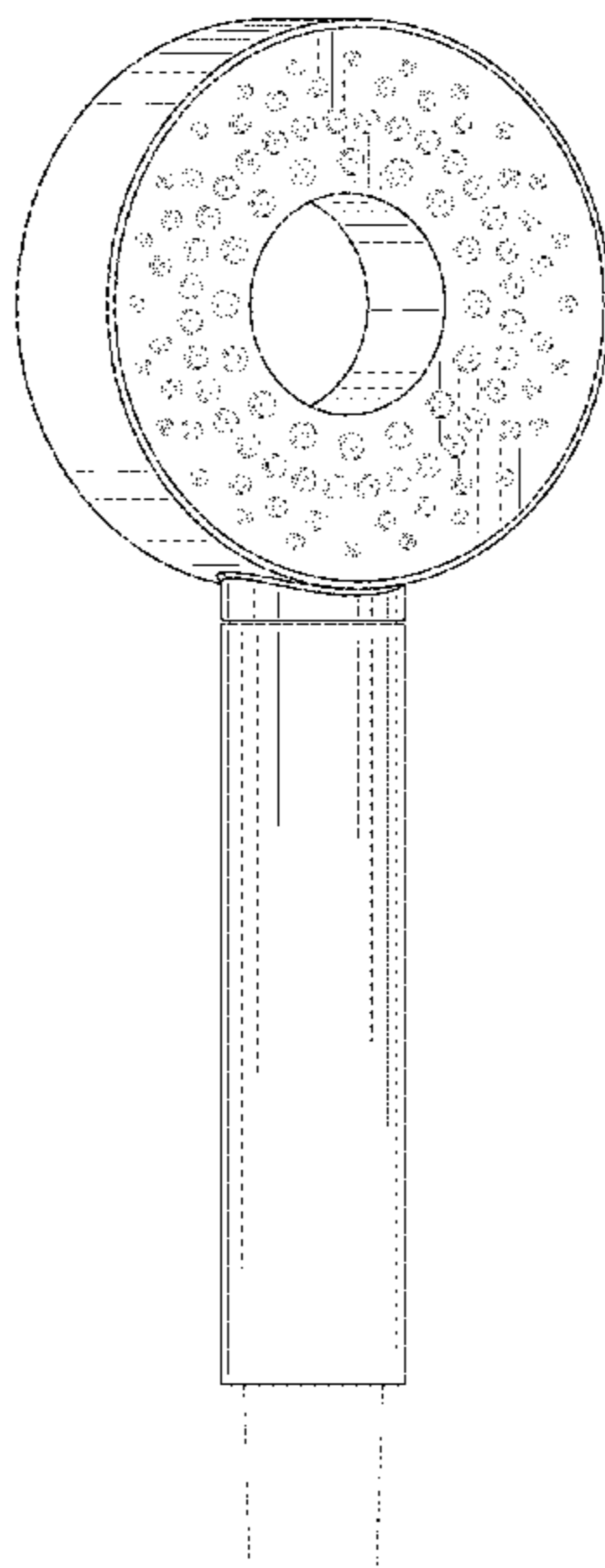
FIG. 5 is a left side view thereof; and,

FIG. 6 is a right side view thereof.

A bottom view is omitted since the bottom view is invisible in normal use.

The broken lines depict portions of the handshower in which the design is embodied that form no part of the claimed design.

1 Claim, 6 Drawing Sheets



(56)

References Cited

OTHER PUBLICATIONS

Solid Metal Brushed Nickel Handheld Shower Head With Extra Long Stainless Steel Hose, Feb. 26, 2019, Amazon.com, Aug. 10, 2021. URL: <https://www.amazon.com/Pressure-Handheld-Showerhead-Stainless-Bracket/dp/B07KT2RTRQ> (Year: 2019).*

* cited by examiner

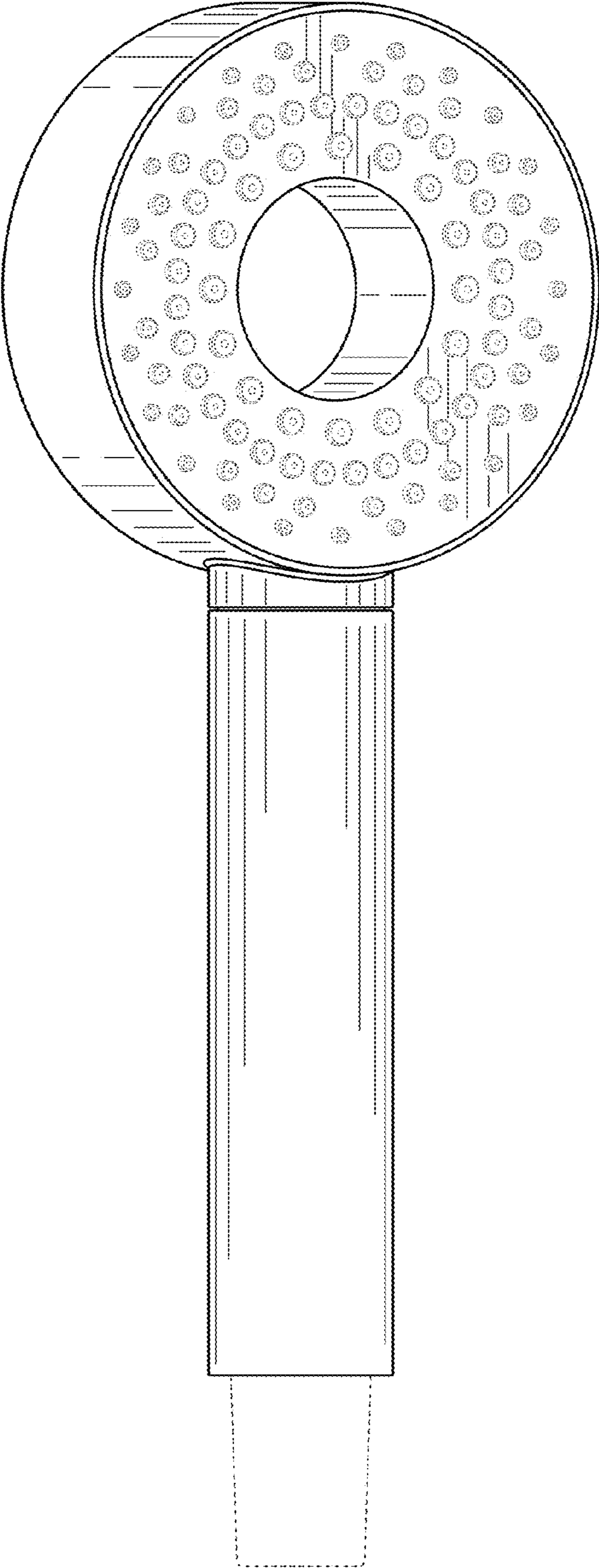


FIG. 1

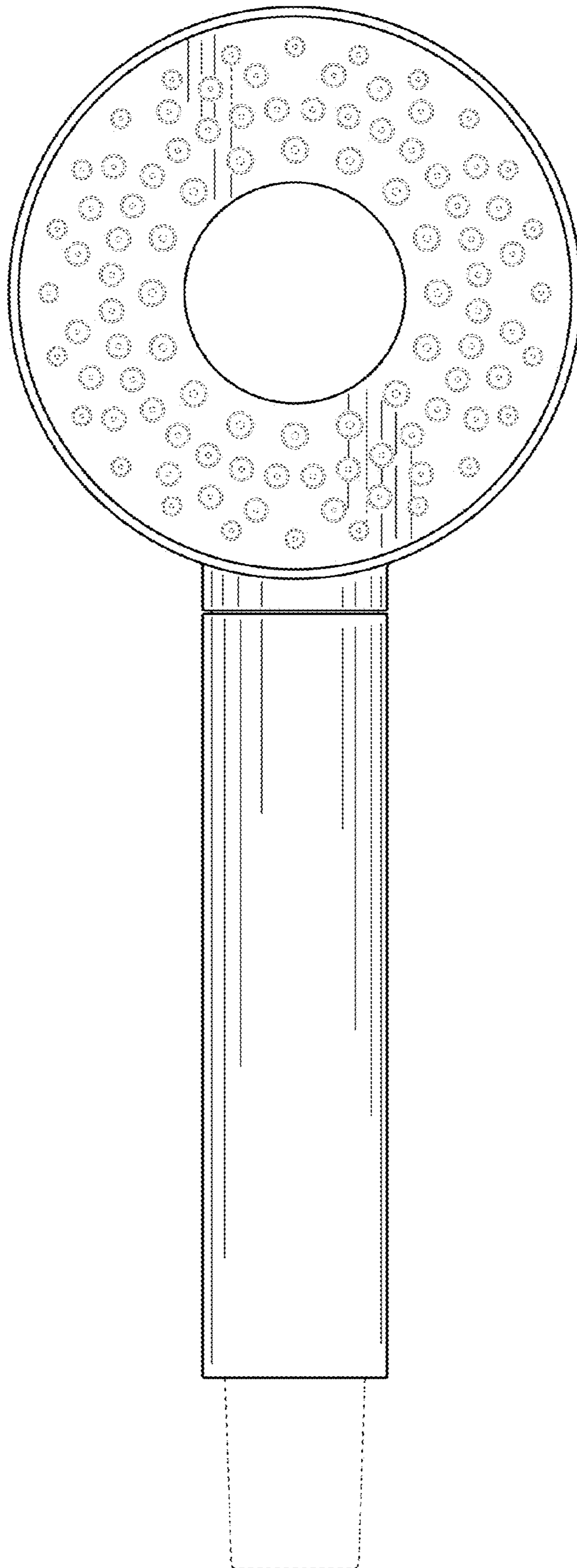


FIG. 2

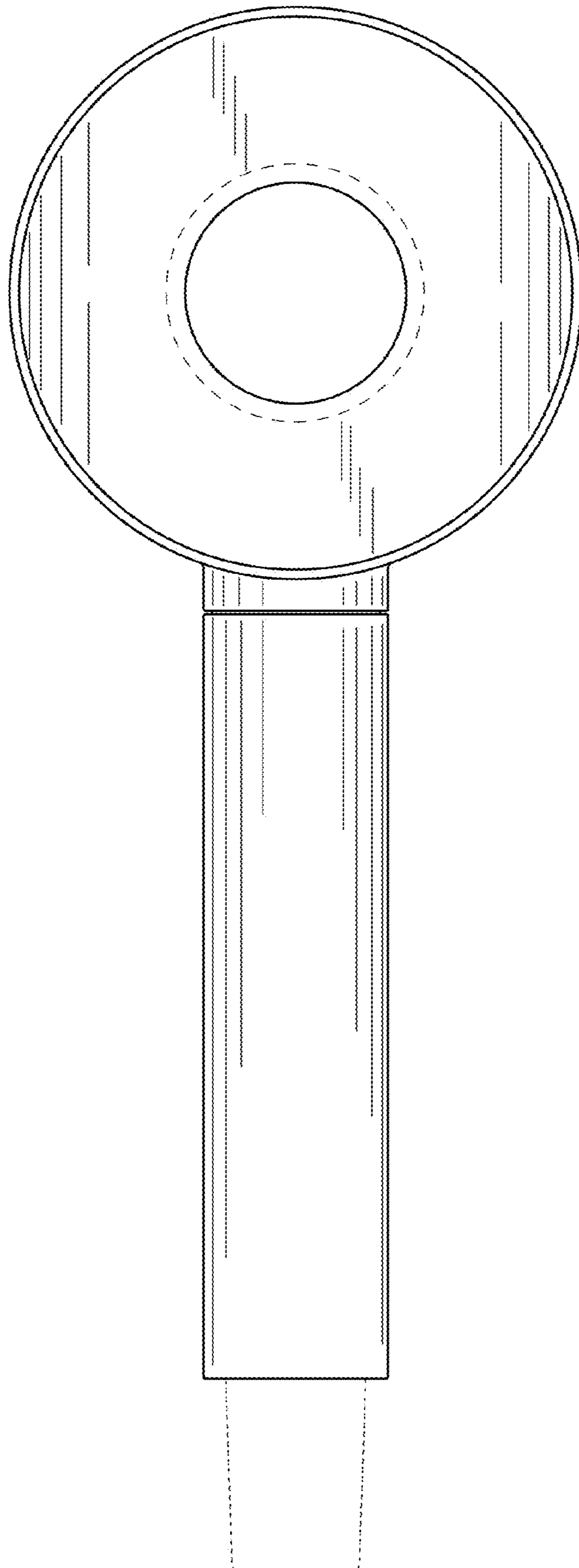


FIG. 3

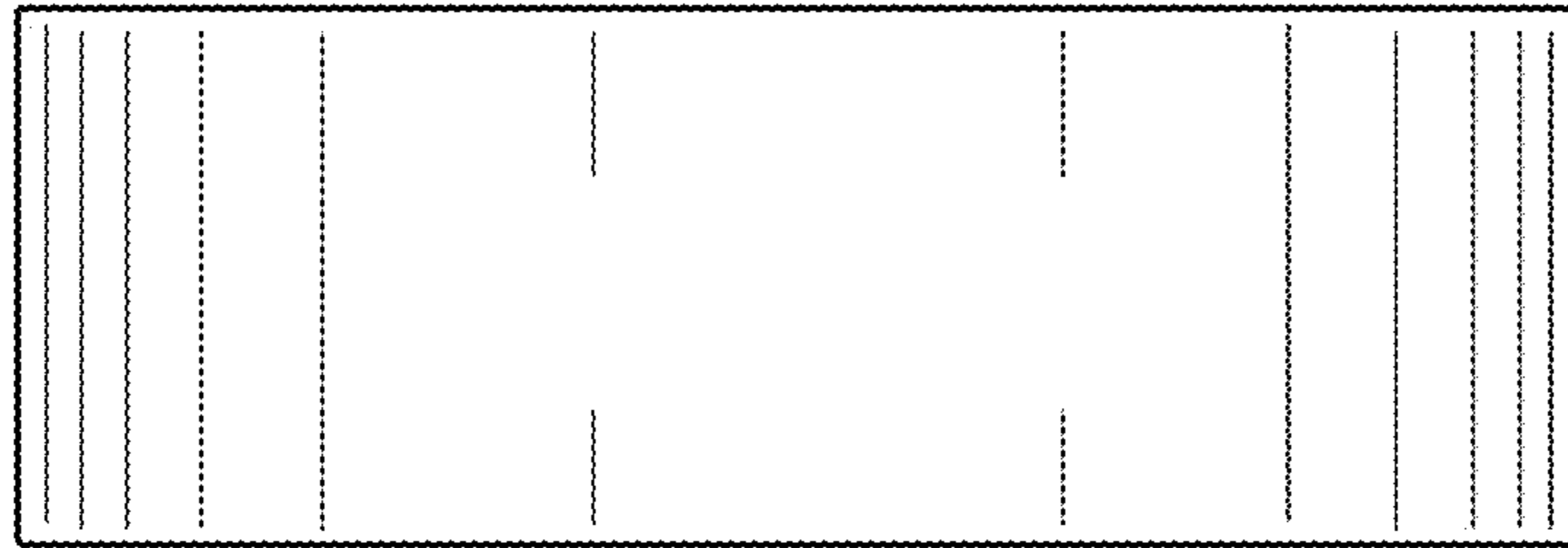


FIG. 4

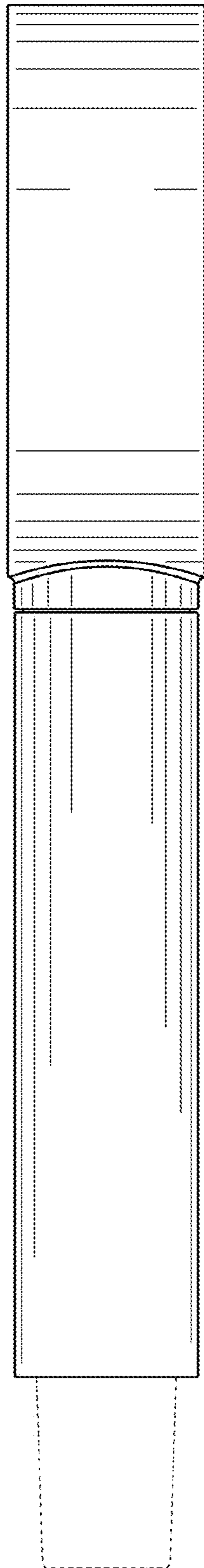


FIG. 5

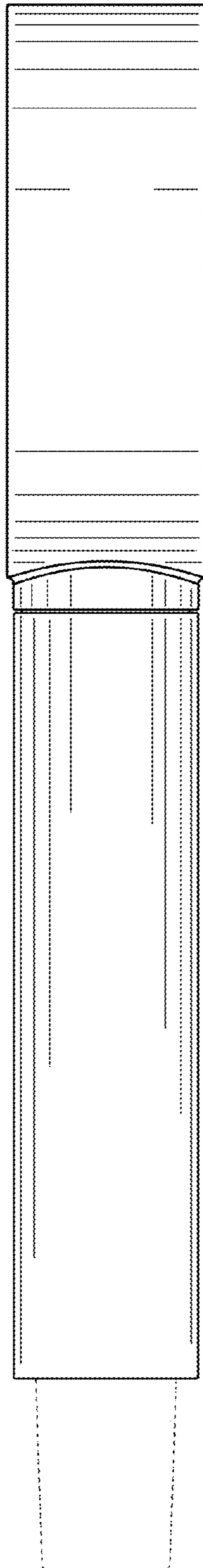


FIG. 6