



US00D932587S

(12) **United States Design Patent** (10) **Patent No.:** **US D932,587 S**
Du (45) **Date of Patent:** **** *Oct. 5, 2021**

(54) **FILTER**
(71) Applicant: **Tianjin Bright Sight Commerce Co., Ltd, Tianjin (CN)**
(72) Inventor: **Zhigang Du, Tianjin (CN)**
(*) Notice: This patent is subject to a terminal disclaimer.
(**) Term: **15 Years**
(21) Appl. No.: **29/729,470**
(22) Filed: **Mar. 26, 2020**

D807,988 S *	1/2018	An	D23/209
D831,786 S *	10/2018	Zou	D23/209
D831,788 S *	10/2018	Zou	D23/209
D845,433 S *	4/2019	Zou	D23/209
D845,434 S *	4/2019	Zou	D23/209
D856,473 S *	8/2019	Zou	D23/209
D856,474 S *	8/2019	Zou	D23/209
D857,840 S *	8/2019	Lu	D23/209
D857,841 S *	8/2019	Lu	D23/209
D858,691 S *	9/2019	Zou	D23/209
D858,692 S *	9/2019	Zou	D23/209
D858,693 S *	9/2019	Zou	D23/209
D858,694 S *	9/2019	Zou	D23/209

(Continued)

(30) **Foreign Application Priority Data**
Jan. 7, 2020 (CN) 202030007502.3
(51) **LOC (13) Cl.** **23-01**
(52) **U.S. Cl.**
USPC **D23/209**
(58) **Field of Classification Search**
USPC D23/209, 235, 341, 358, 363-365;
D15/5
CPC B01D 46/0002; B01D 46/10; F02M 35/04;
F02M 35/10; F02M 35/024
See application file for complete search history.

OTHER PUBLICATIONS

Pureline LT700P Water Filter Replacement, Jan. 3, 2017, Amazon.com, Aug. 19, 2021.URL: <https://www.amazon.com/dp/B01N70M7C8> (Year: 2017).*

(Continued)

Primary Examiner — Jack Reickel
Assistant Examiner — Keith J Wilson
(74) *Attorney, Agent, or Firm* — Yanling Jiang

(57) **CLAIM**

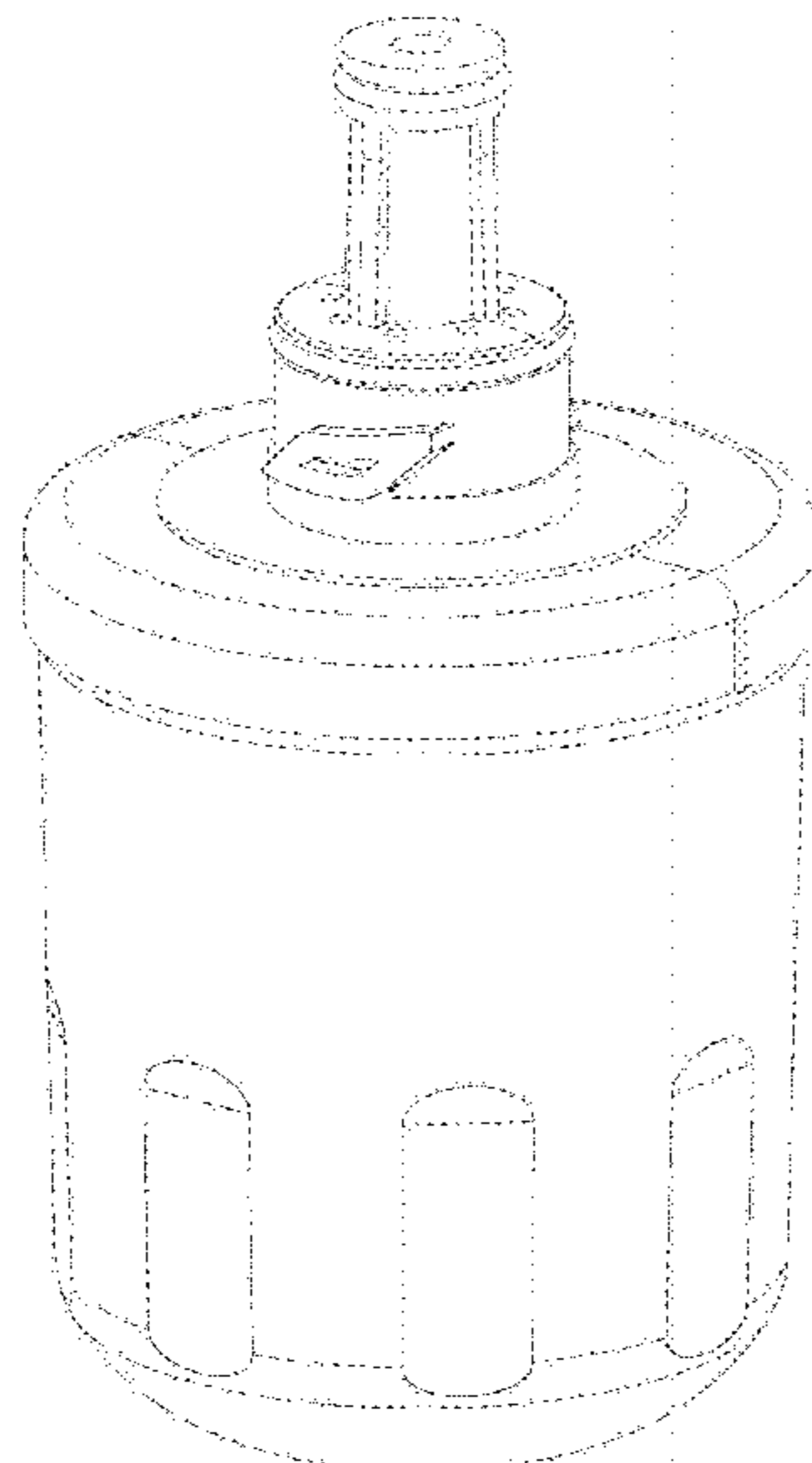
The ornamental design for filter, as shown and described.

DESCRIPTION

FIG. 1 is a top right perspective view showing filter, showing my new design;
FIG. 2 is a front elevation view thereof;
FIG. 3 is a rear elevation view thereof;
FIG. 4 is a top plan view thereof;
FIG. 5 is a bottom plan view thereof;
FIG. 6 is a left side view thereof; and,
FIG. 7 is a right side view thereof.
The broken lines represent portions of a filter and form no part of the claimed design.

1 Claim, 7 Drawing Sheets

(56) **References Cited**
U.S. PATENT DOCUMENTS
D679,779 S * 4/2013 Reid D23/209
D750,738 S * 3/2016 Baird D23/209
D776,237 S * 1/2017 Dong D23/207
D780,887 S * 3/2017 Huda D23/209
D788,880 S * 6/2017 Zou D23/209
D792,943 S * 7/2017 Zou D23/209
D794,749 S * 8/2017 Zou D23/209
D794,750 S * 8/2017 Zou D23/209
D795,995 S * 8/2017 Zou D23/209
D795,997 S * 8/2017 Zou D23/209
D798,997 S * 10/2017 Zou D23/209



(56)

References Cited

U.S. PATENT DOCUMENTS

D861,127 S * 9/2019 Lu D23/209
 D865,119 S * 10/2019 An D23/209
 D875,209 S * 2/2020 Zou D23/209
 D878,517 S * 3/2020 Zou D23/209
 D883,426 S * 5/2020 Lu D23/209
 D886,940 S * 6/2020 Zou D23/209
 D886,941 S * 6/2020 Zou D23/209
 D890,296 S * 7/2020 Chandler D23/209
 D891,577 S * 7/2020 Zou D23/209
 D892,264 S * 8/2020 Zou D23/209
 D894,333 S * 8/2020 Huaping D23/209
 D894,336 S * 8/2020 Huaping D23/209
 D894,337 S * 8/2020 Huaping D23/209
 D899,563 S * 10/2020 Wei D23/209
 D913,416 S * 3/2021 Qiang D23/209
 D917,661 S * 4/2021 Wei D23/209
 D917,662 S * 4/2021 Lu D23/209

D918,335 S * 5/2021 Wei D23/209
 D919,041 S * 5/2021 Lu D23/209
 D924,354 S * 7/2021 Huang D23/209

OTHER PUBLICATIONS

Waterdrop Plus DA29-00020B NSF 401&53&42 Certified Refrigerator Water Filter, May 28, 2016, Amazon.com, Aug. 19, 2021. URL: <https://www.amazon.com/Waterdrop-DA29-00020B-Refrigerator-Compatible-DA29-00020A/dp/B01GAAYTGY> (Year: 2016).*

Refresh Replacement for Samsung DA29-00020A, DA29-00020B, HAF-CIN/EXP, 46-9101 Refrigerator Water Filter, Apr. 13, 2015, Amazon.com, Aug. 19, 2021. URL: <https://www.amazon.com/dp/B00W0W8LMK/> (Year: 2015).*

Glacier Fresh Water Filter, Oct. 22, 2018, Amazon.com, Aug. 20, 2021. URL: <https://www.amazon.com/GLACIER-FRESH-Refrigerator-Water-Filter/dp/B07XY63ZDS> (Year: 2018).*

WaterSentinel WSW-2 Refrigerator Replacement Filter, Jul. 29, 2009, Amazon.com, URL: <https://www.amazon.com/WaterSentinel-WSW-2-Refrigerator-Replacement-Filter/dp/B002J13L84> (Year: 2009).*

* cited by examiner

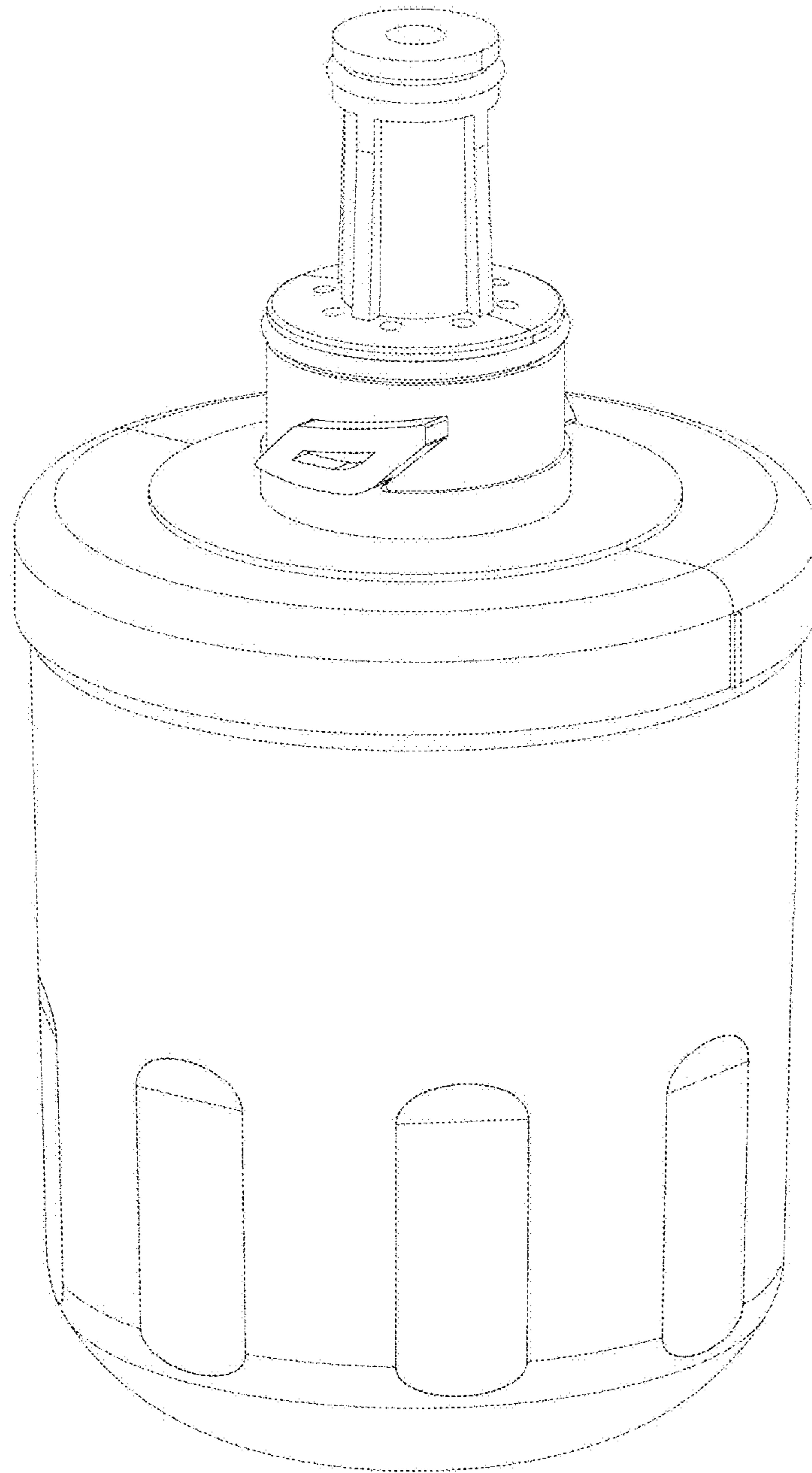


Fig. 1

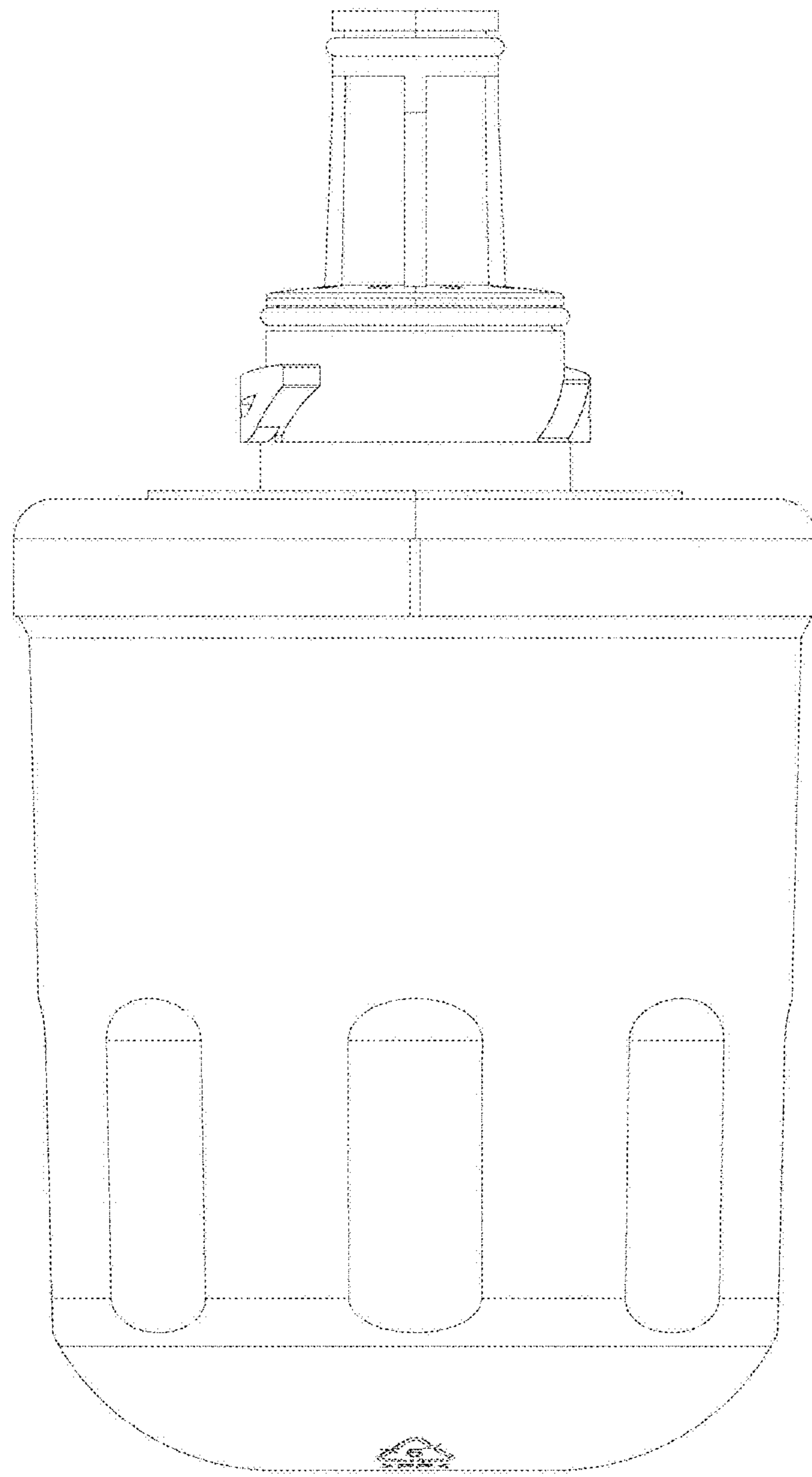


Fig. 2

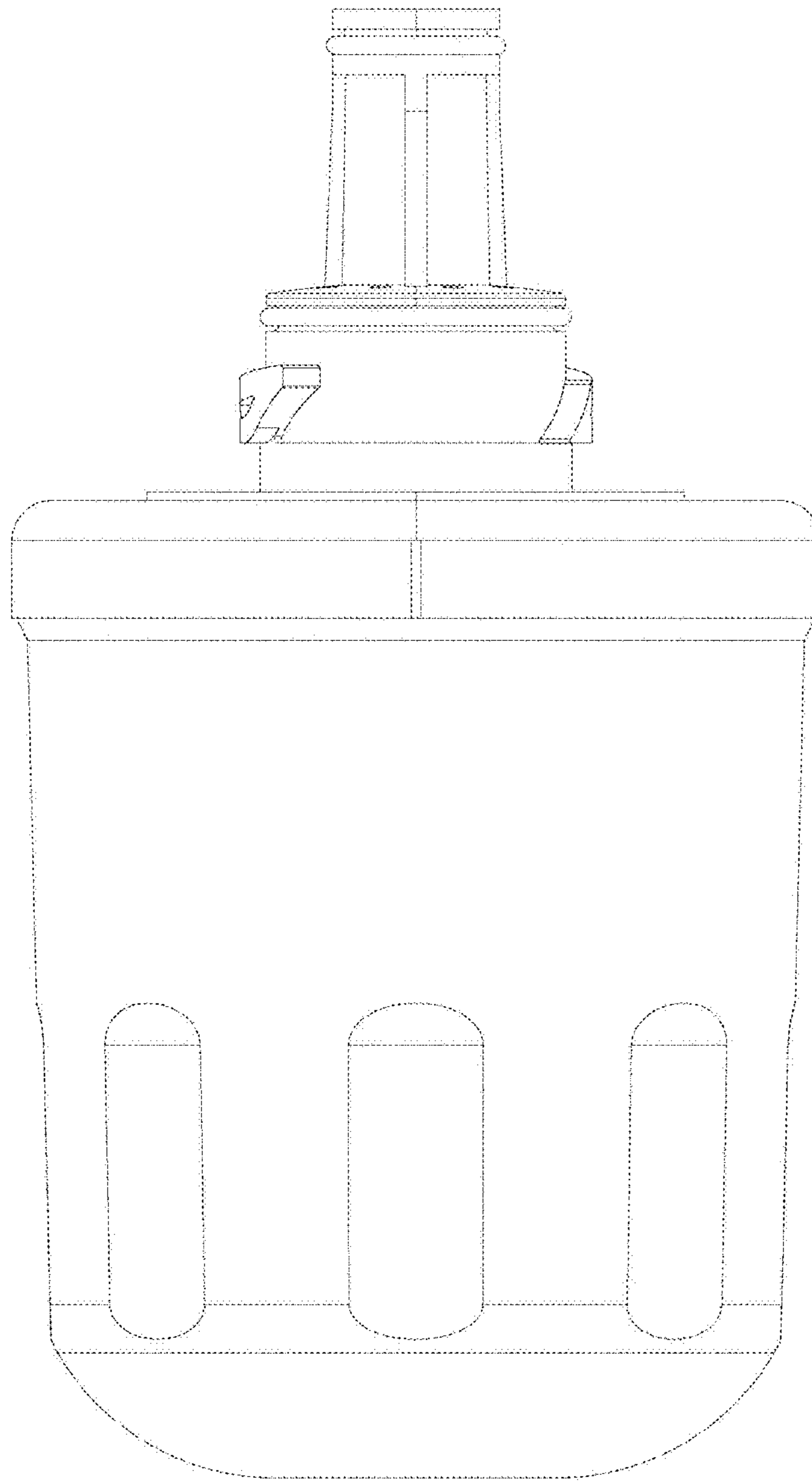


Fig. 3

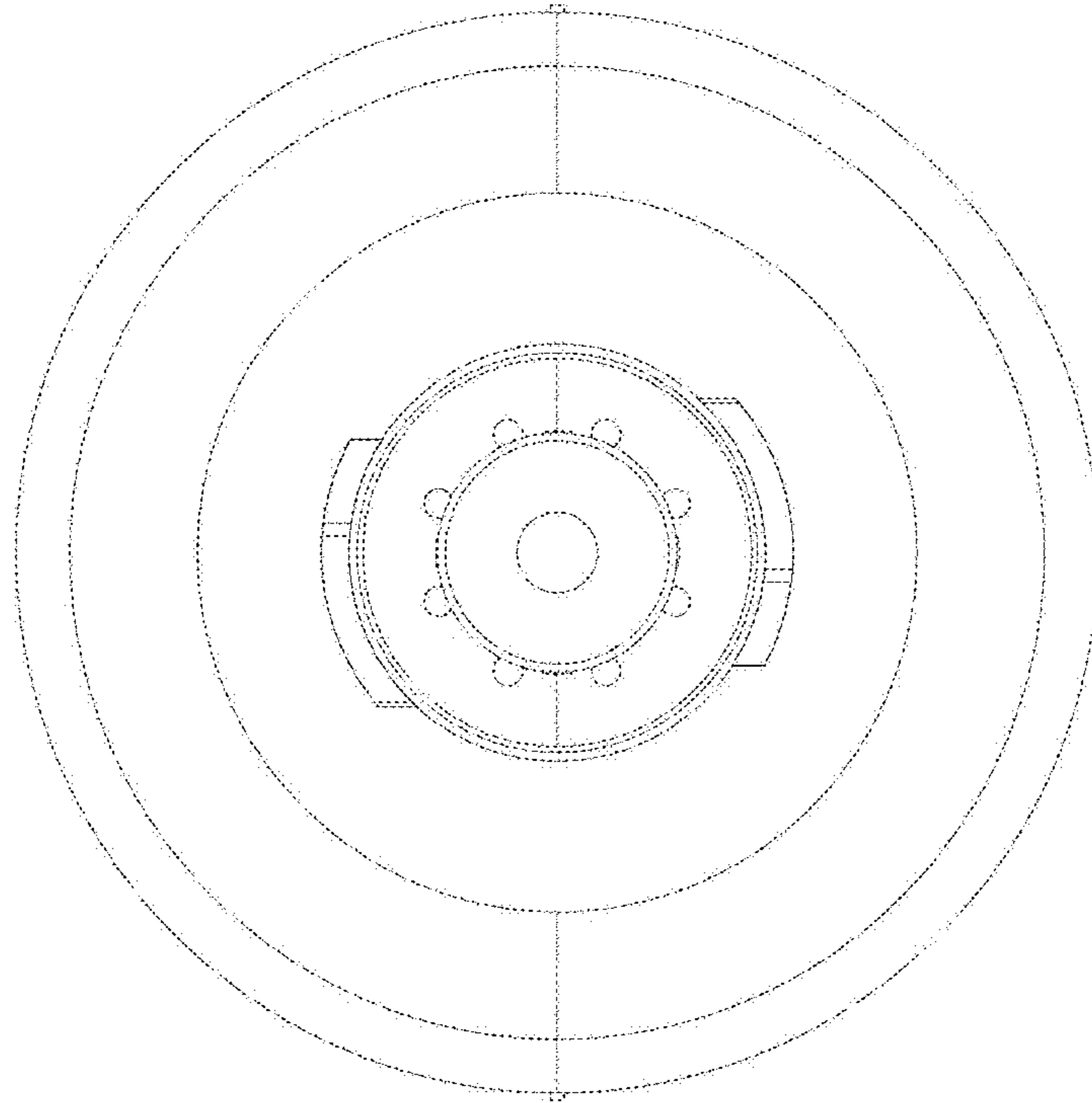


Fig. 4

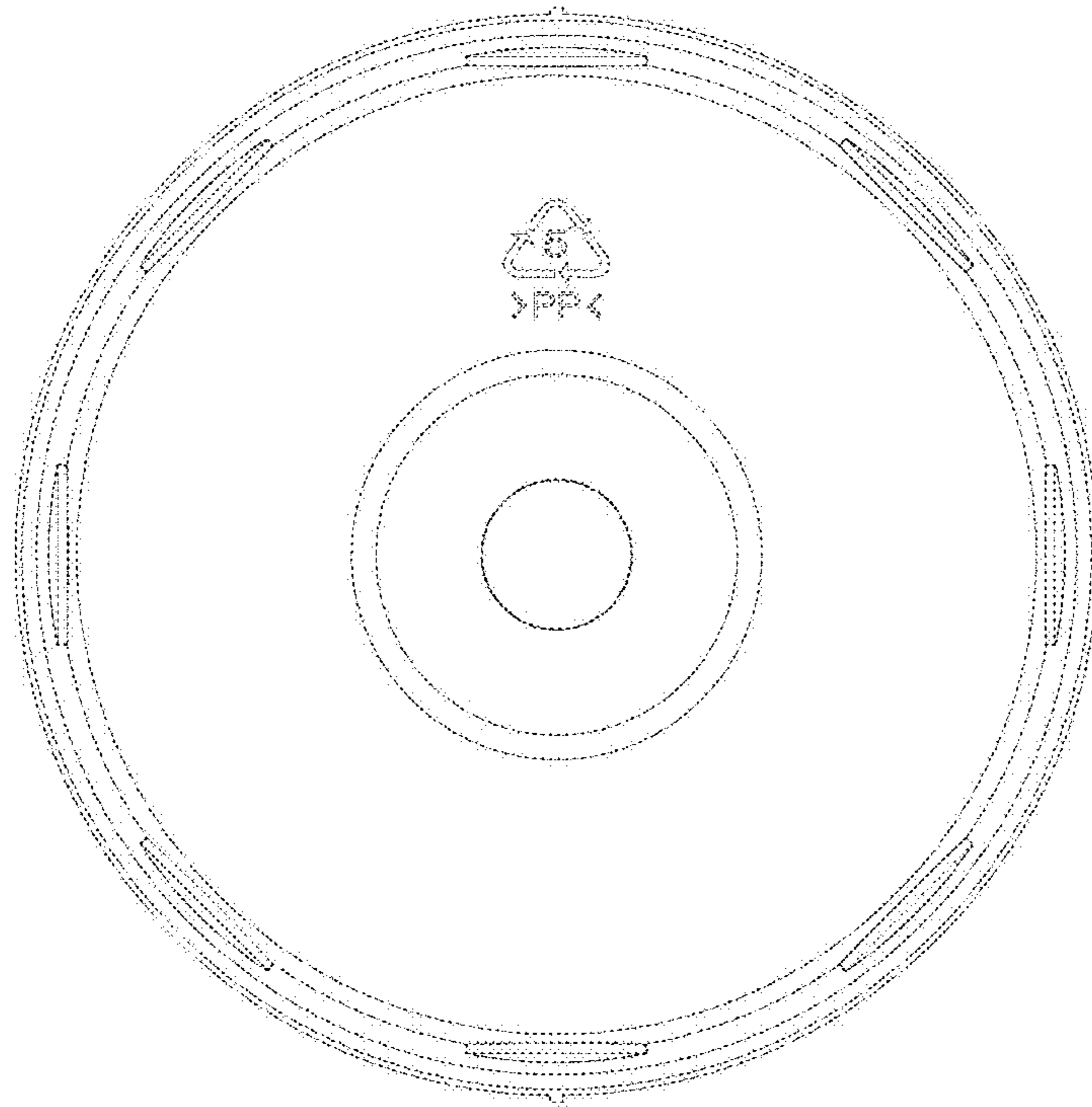


Fig. 5

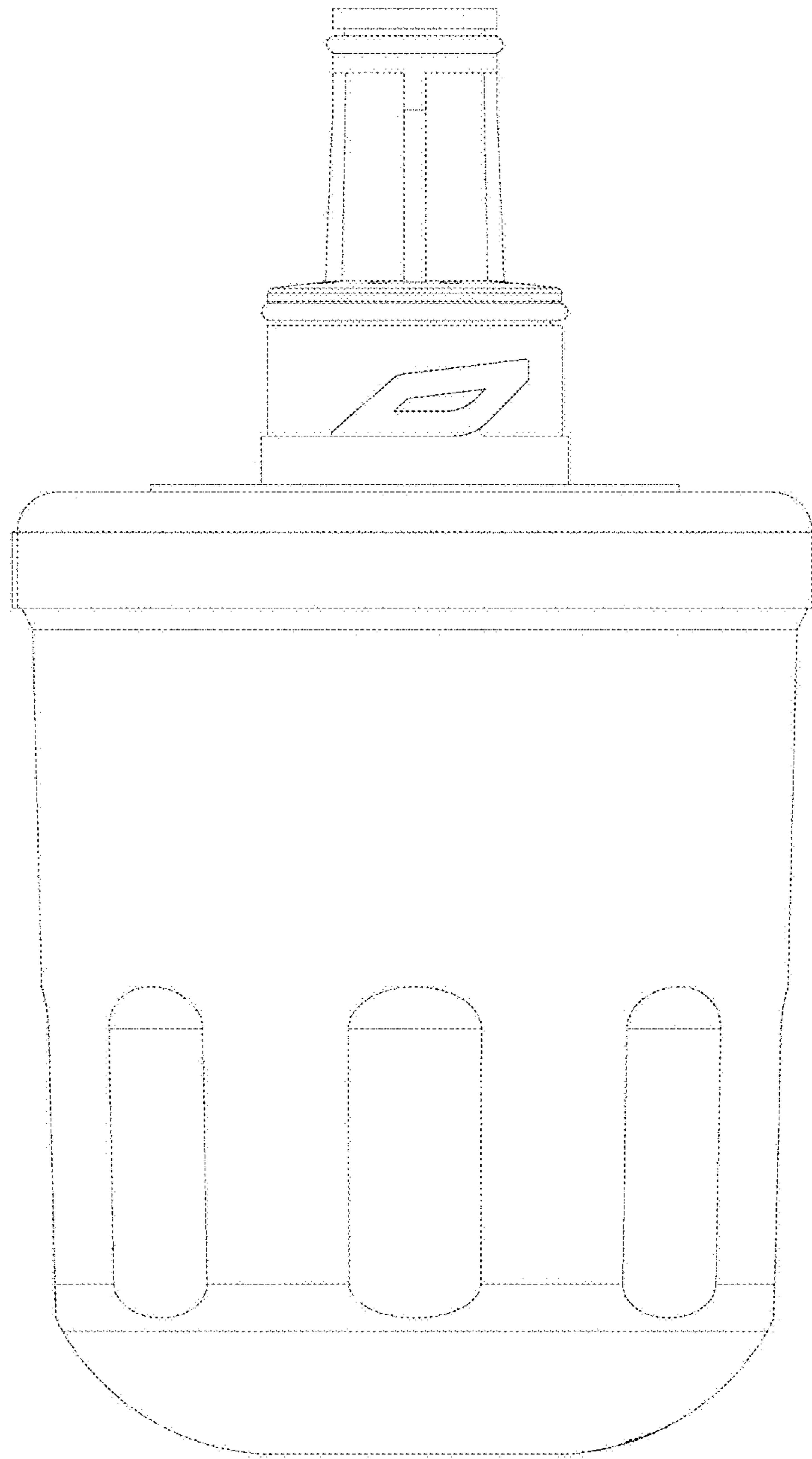


Fig. 6

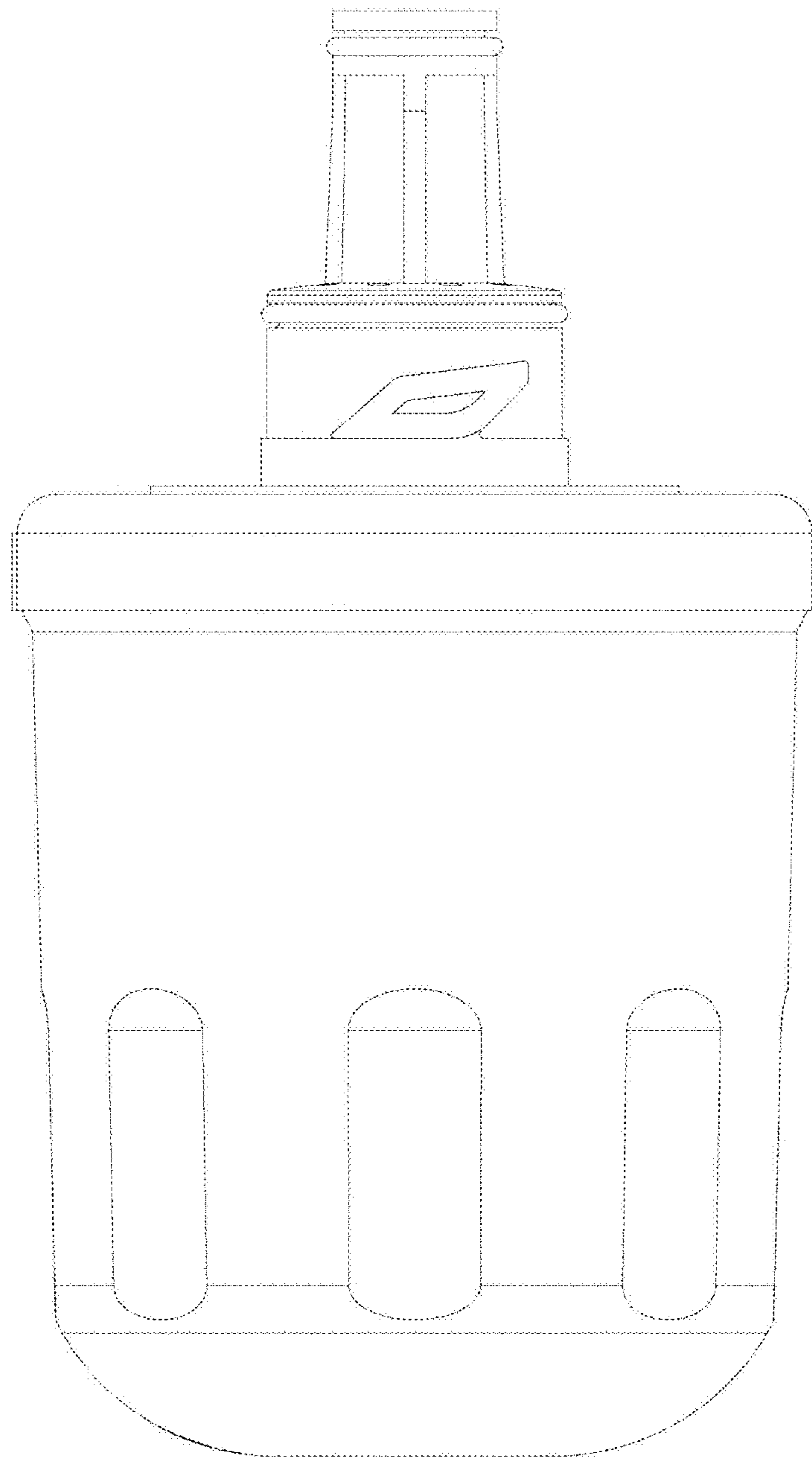


Fig. 7