



US00D932586S

(12) **United States Design Patent** (10) **Patent No.:** **US D932,586 S**  
**Du** (45) **Date of Patent:** **\*\* \*Oct. 5, 2021**

(54) **FILTER**

(71) Applicant: **Tianjin Bright Sight Commerce Co., Ltd, Tianjin (CN)**

(72) Inventor: **Zhigang Du, Tianjin (CN)**

(\* ) Notice: This patent is subject to a terminal disclaimer.

(\*\*) Term: **15 Years**

(21) Appl. No.: **29/728,961**

(22) Filed: **Mar. 23, 2020**

(30) **Foreign Application Priority Data**

Jan. 7, 2020 (CN) ..... 202030007502.3

(51) **LOC (13) Cl.** ..... **23-01**

(52) **U.S. Cl.**  
USPC ..... **D23/209**

(58) **Field of Classification Search**  
USPC ..... D23/209, 235, 341, 358, 363-365;  
D15/5

CPC .... B01D 46/0002; B01D 46/10; F02M 35/04;  
F02M 35/10; F02M 35/024

See application file for complete search history.

(56) **References Cited**

**U.S. PATENT DOCUMENTS**

D679,779 S *	4/2013	Reid	.....	D23/209
D750,738 S *	3/2016	Baird	.....	D23/209
D776,237 S *	1/2017	Dong	.....	D23/207
D780,887 S *	3/2017	Huda	.....	D23/209
D788,880 S *	6/2017	Zou	.....	D23/209
D792,943 S *	7/2017	Zou	.....	D23/209
D794,749 S *	8/2017	Zou	.....	D23/209
D794,750 S *	8/2017	Zou	.....	D23/209
D795,995 S *	8/2017	Zou	.....	D23/209
D795,997 S *	8/2017	Zou	.....	D23/209
D798,997 S *	10/2017	Zou	.....	D23/209

D807,988 S *	1/2018	An	.....	D23/209
D831,786 S *	10/2018	Zou	.....	D23/209
D831,788 S *	10/2018	Zou	.....	D23/209
D845,433 S *	4/2019	Zou	.....	D23/209
D845,434 S *	4/2019	Zou	.....	D23/209
D856,473 S *	8/2019	Zou	.....	D23/209
D856,474 S *	8/2019	Zou	.....	D23/209
D857,840 S *	8/2019	Lu	.....	D23/209
D857,841 S *	8/2019	Lu	.....	D23/209
D858,691 S *	9/2019	Zou	.....	D23/209
D858,692 S *	9/2019	Zou	.....	D23/209
D858,693 S *	9/2019	Zou	.....	D23/209
D858,694 S *	9/2019	Zou	.....	D23/209

(Continued)

**OTHER PUBLICATIONS**

Pureline LT700P Water Filter Replacement, Jan. 3, 2017, Amazon.com, Aug. 19, 2021.URL: <https://www.amazon.com/dp/B01N70M7C8> (Year: 2017).\*

(Continued)

*Primary Examiner* — Jack Reickel

*Assistant Examiner* — Keith J Wilson

(74) *Attorney, Agent, or Firm* — Yanling Jiang

(57) **CLAIM**

The ornamental design for filter, as shown and described.

**DESCRIPTION**

FIG.1 is a top right perspective view showing filter, showing my new design;

FIG. 2 is a front elevation view thereof;

FIG. 3 is a rear elevation view thereof;

FIG. 4 is a top plan view thereof;

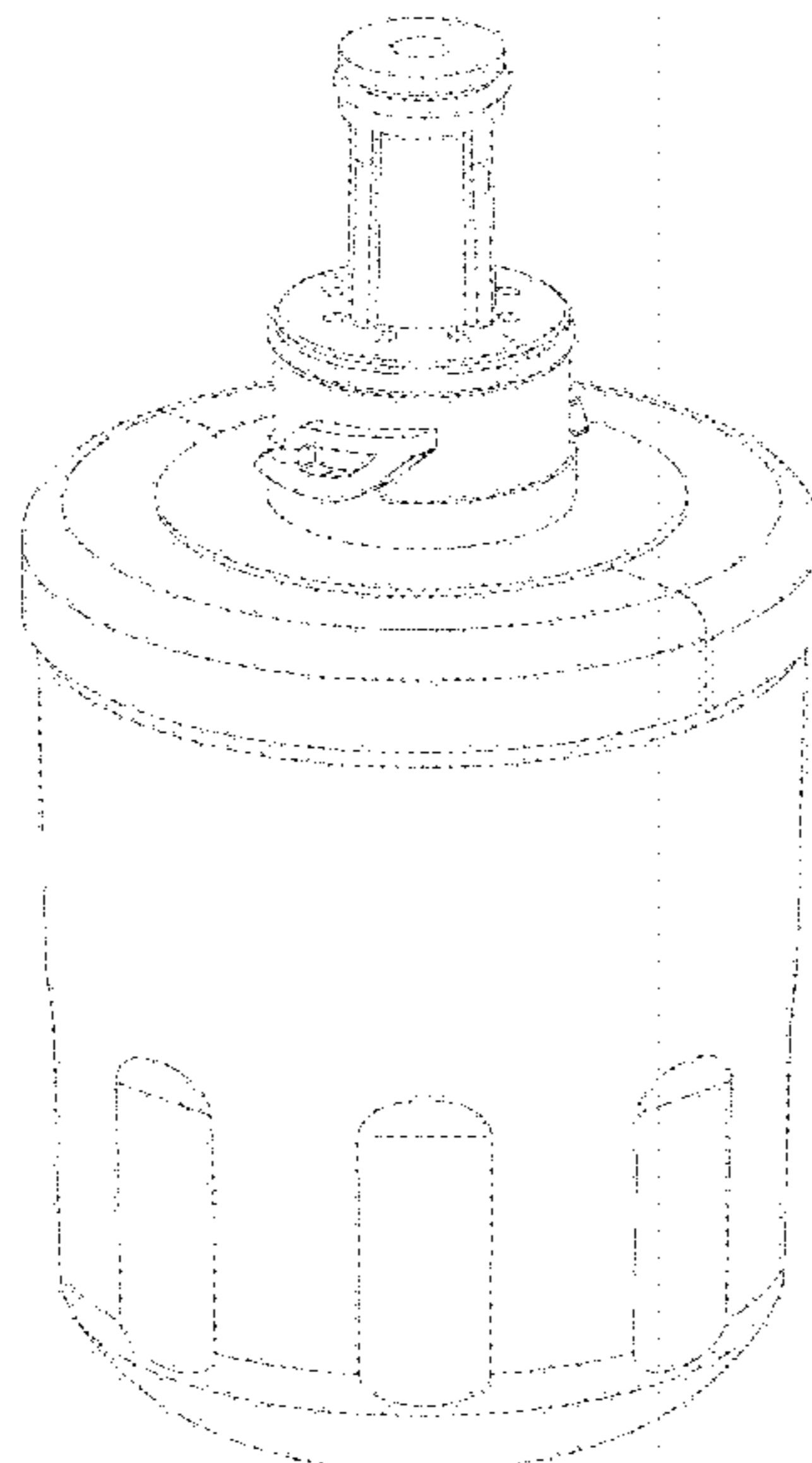
FIG. 5 is a bottom plan view thereof;

FIG. 6 is a left side view thereof; and,

FIG. 7 is a right side view thereof.

The broken lines represent portions of a filter and form no part of the claimed design.

**1 Claim, 7 Drawing Sheets**



(56)

References Cited

U.S. PATENT DOCUMENTS

D861,127 S \* 9/2019 Lu ..... D23/209  
 D865,119 S \* 10/2019 An ..... D23/209  
 D875,209 S \* 2/2020 Zou ..... D23/209  
 D878,517 S \* 3/2020 Zou ..... D23/209  
 D883,426 S \* 5/2020 Lu ..... D23/209  
 D886,940 S \* 6/2020 Zou ..... D23/209  
 D886,941 S \* 6/2020 Zou ..... D23/209  
 D890,296 S \* 7/2020 Chandler ..... D23/209  
 D891,577 S \* 7/2020 Zou ..... D23/209  
 D892,264 S \* 8/2020 Zou ..... D23/209  
 D894,333 S \* 8/2020 Huaping ..... D23/209  
 D894,336 S \* 8/2020 Huaping ..... D23/209  
 D894,337 S \* 8/2020 Huaping ..... D23/209  
 D899,563 S \* 10/2020 Wei ..... D23/209  
 D913,416 S \* 3/2021 Qiang ..... D23/209  
 D917,661 S \* 4/2021 Wei ..... D23/209  
 D917,662 S \* 4/2021 Lu ..... D23/209

D918,335 S \* 5/2021 Wei ..... D23/209  
 D919,041 S \* 5/2021 Lu ..... D23/209  
 D924,354 S \* 7/2021 Huang ..... D23/209

OTHER PUBLICATIONS

Waterdrop Plus DA29-00020B NSF 401&53&42 Certified Refrigerator Water Filter, May 28, 2016, Amazon.com, Aug. 19, 2021. URL: <https://www.amazon.com/Waterdrop-DA29-00020B-Refrigerator-Compatible-DA29-00020A/dp/B01GAAYTGY> (Year: 2016).\*

Refresh Replacement for Samsung DA29-00020A, DA29-00020B, HAF-CIN/EXP, 46-9101 Refrigerator Water Filter, Apr. 13, 2015, Amazon.com, Aug. 19, 2021. URL: <https://www.amazon.com/dp/B00W0W8LMK/> (Year: 2015).\*

Glacier Fresh Water Filter, Oct. 22, 2018, Amazon.com, Aug. 20, 2021. URL: <https://www.amazon.com/GLACIER-FRESH-Refrigerator-Water-Filter/dp/B07XY63ZDS> (Year: 2018).\*

WaterSentinel WSW-2 Refrigerator Replacement Filter, Jul. 29, 2009, Amazon.com, URL: <https://www.amazon.com/WaterSentinel-WSW-2-Refrigerator-Replacement-Filter/dp/B002J13L84> (Year: 2009).\*

\* cited by examiner

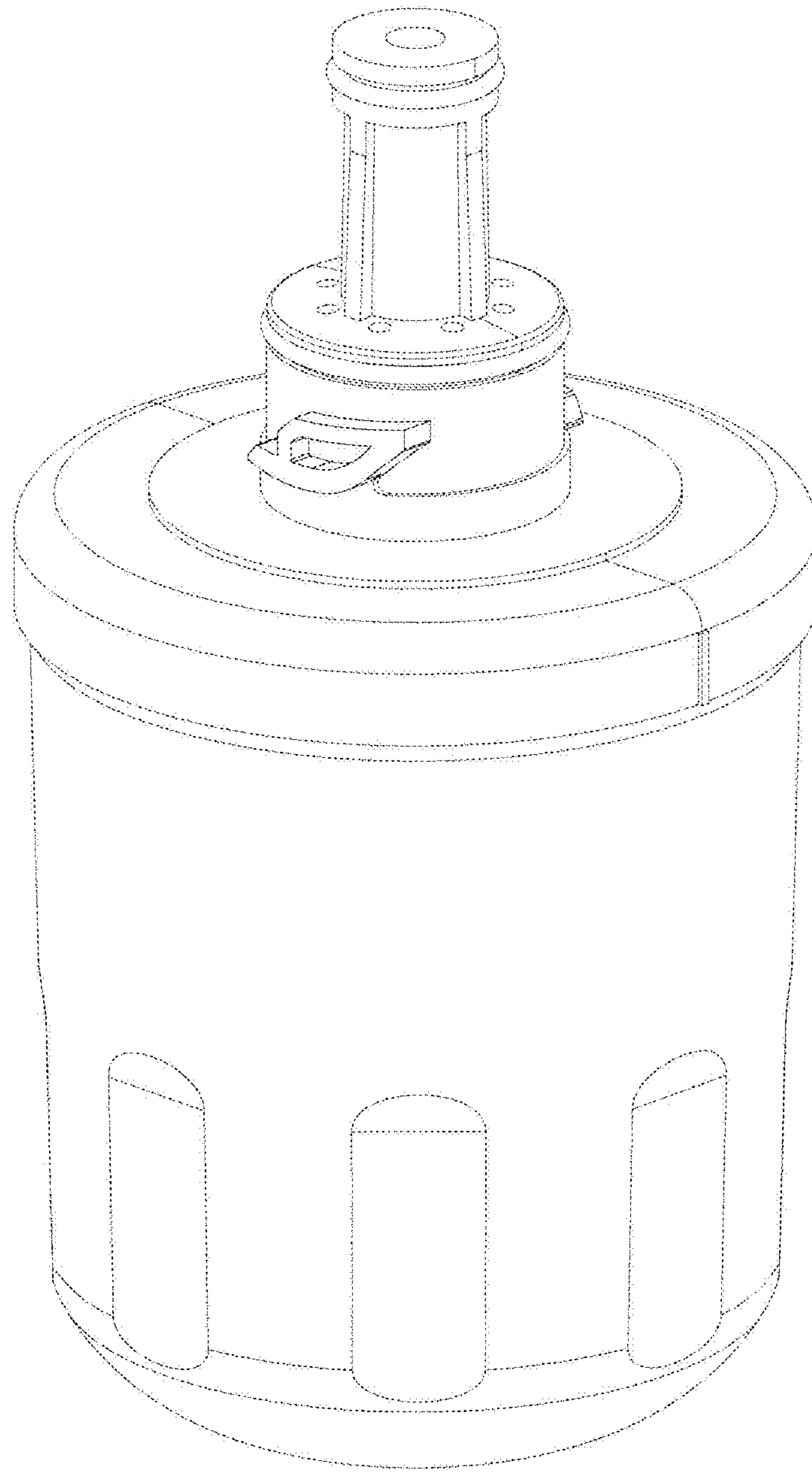


Fig. 1

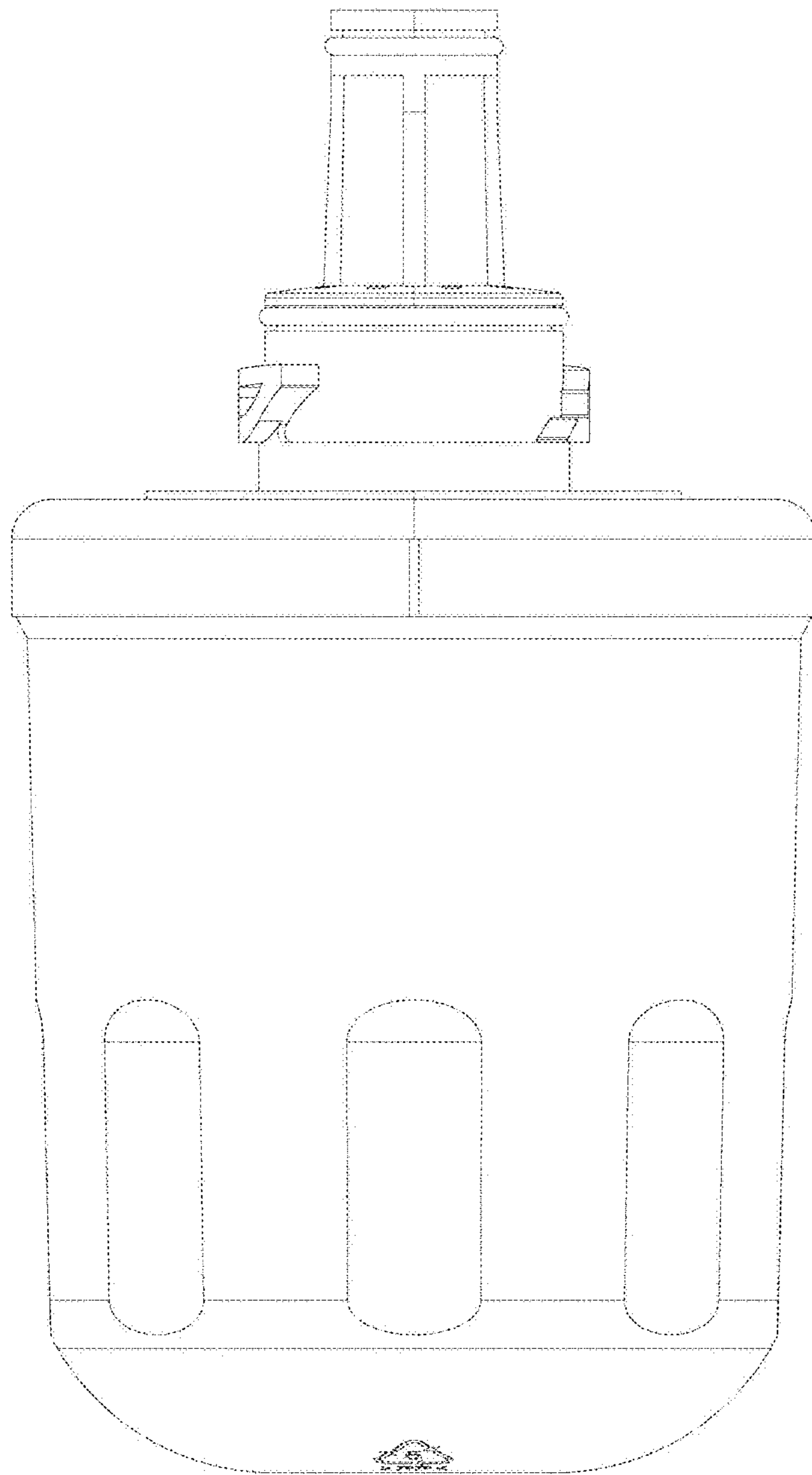


Fig. 2

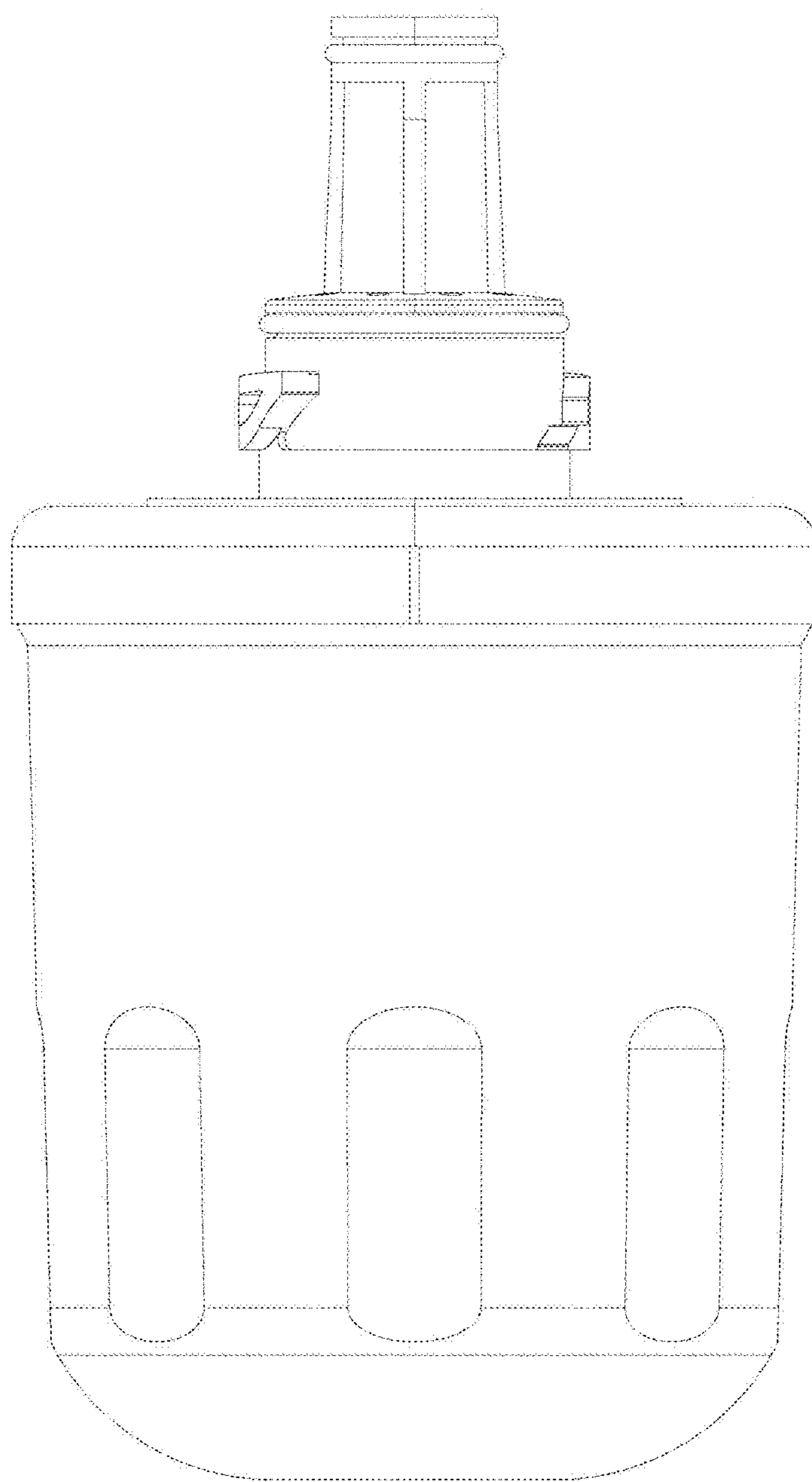


Fig. 3

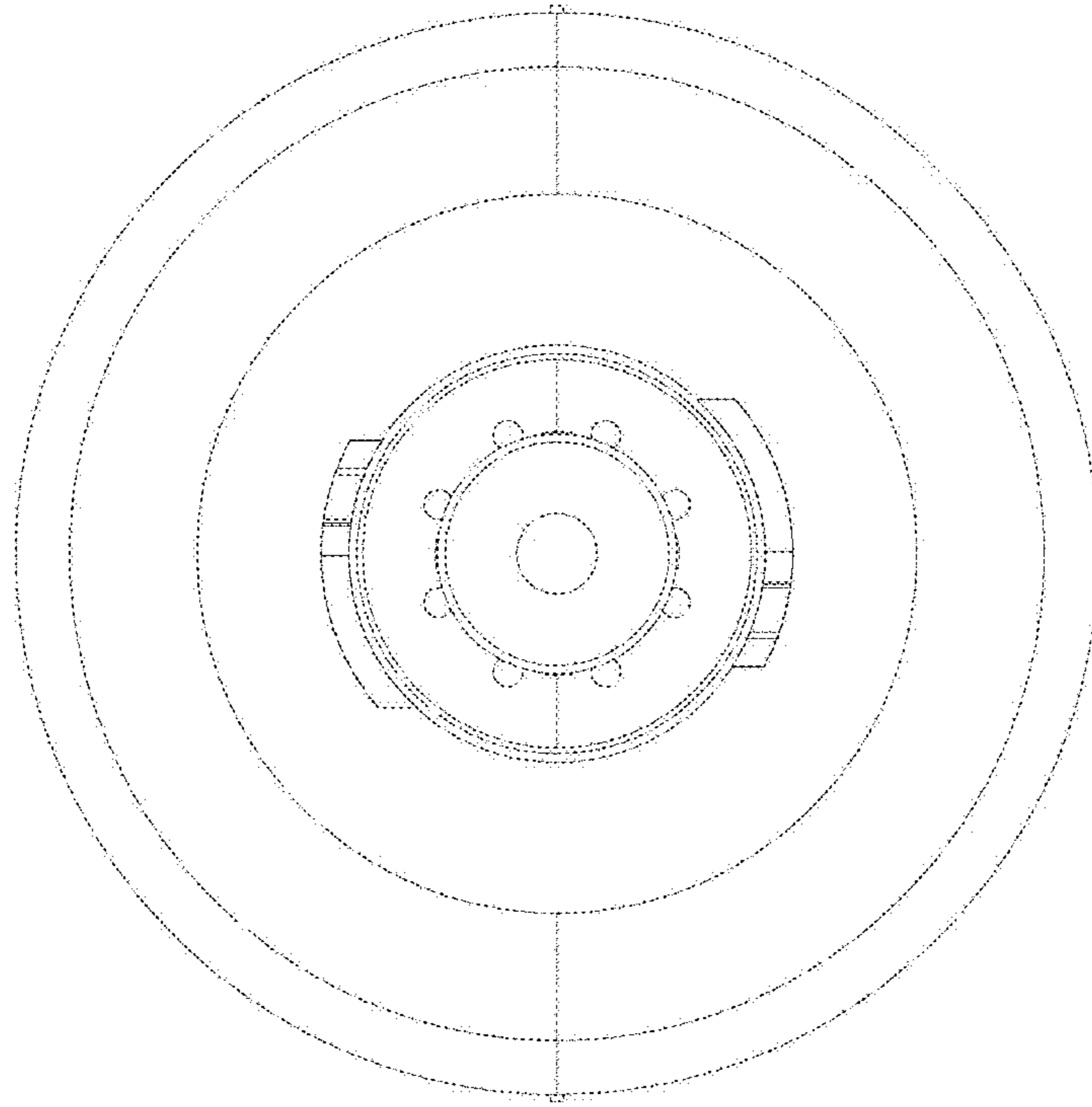


Fig. 4

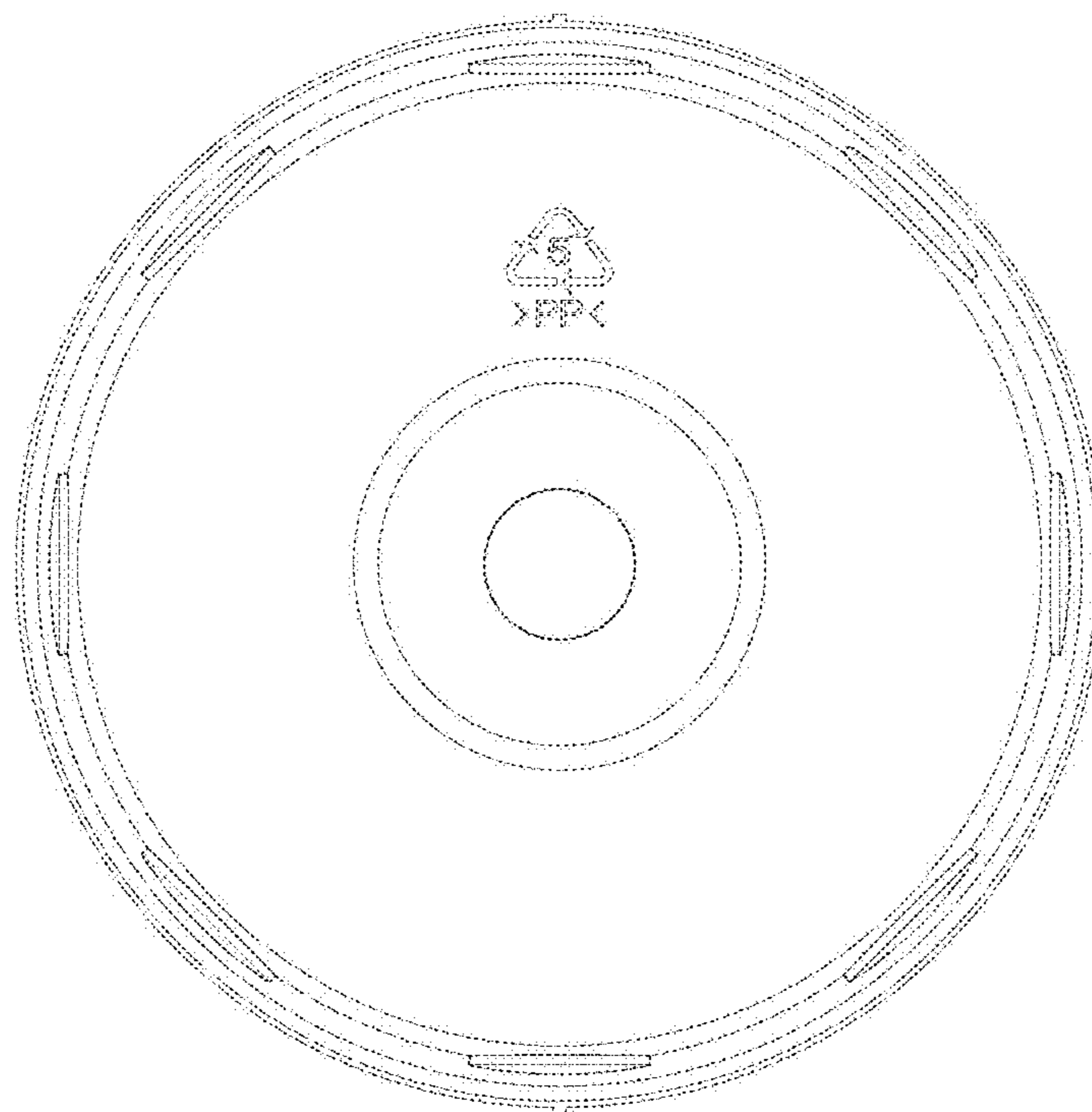


Fig. 5

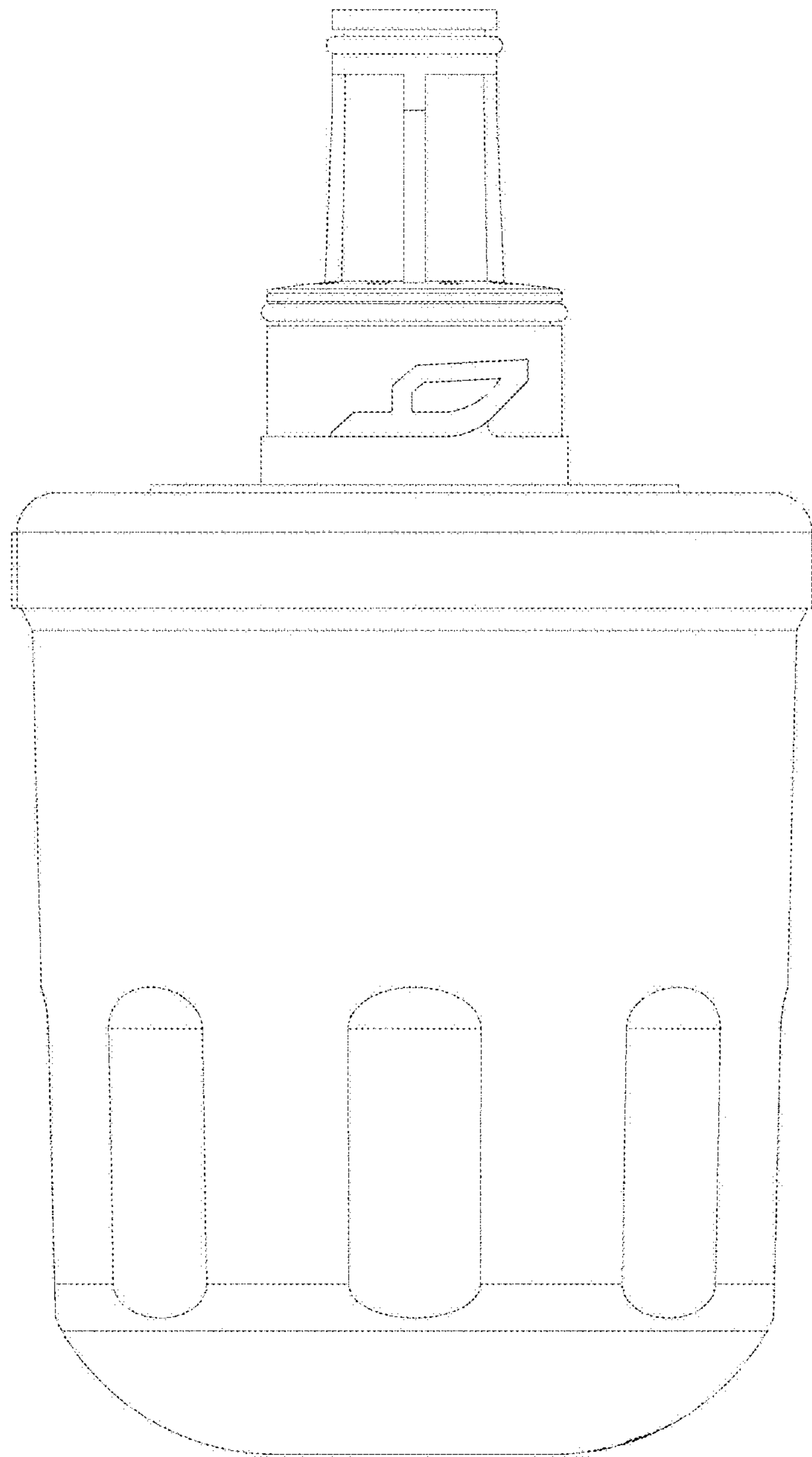


Fig. 6



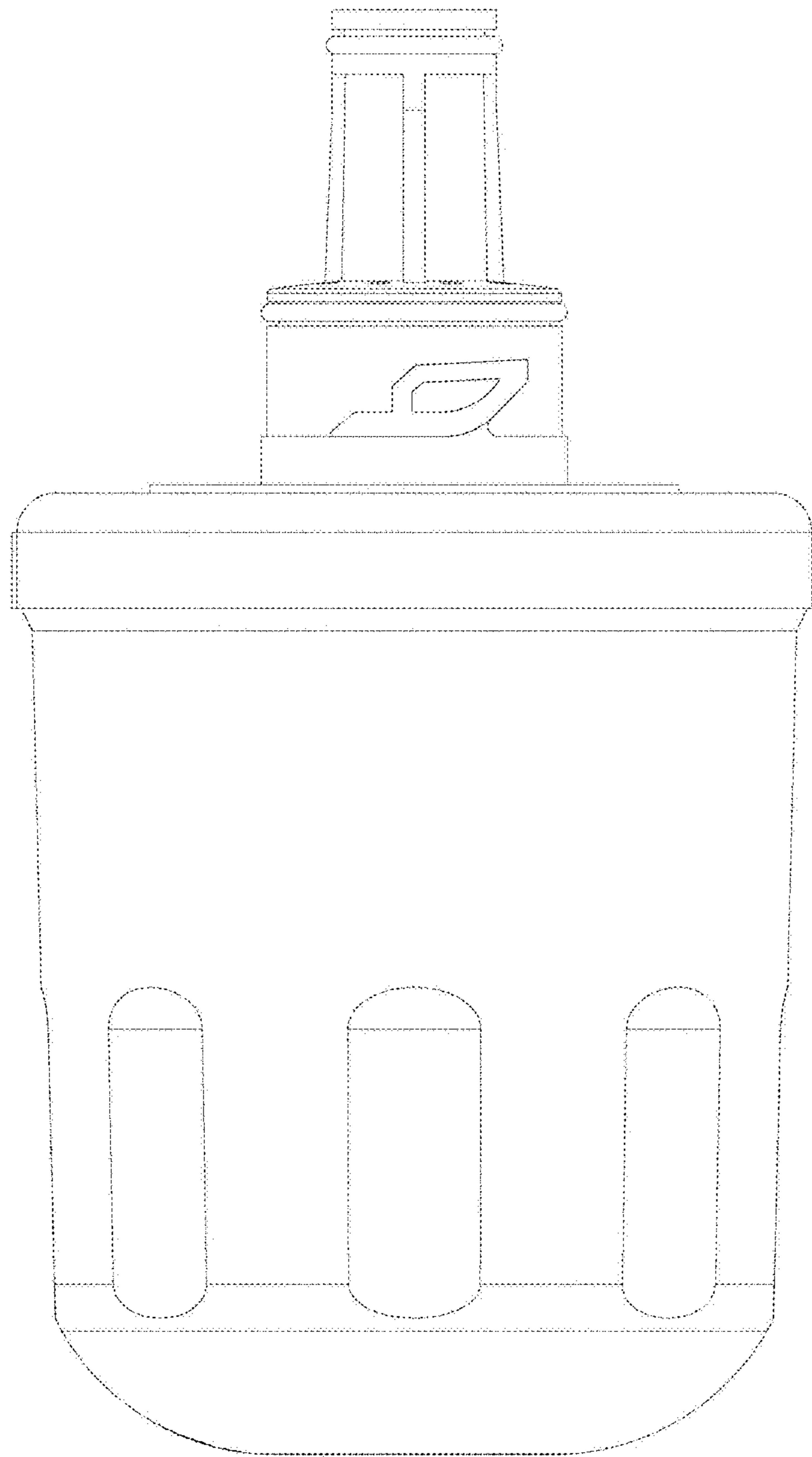


Fig. 7