



US00D932581S

(12) **United States Design Patent** (10) **Patent No.:** **US D932,581 S**
Summers et al. (45) **Date of Patent:** **** *Oct. 5, 2021**

(54) **PORTION OF AN ARCHERY BOW RISER**
(71) Applicant: **QTM, LLC**, Madison Heights, VA (US)
(72) Inventors: **Daniel A. Summers**, Alpine, WY (US);
Jonathan M. Loomis, Lynchburg, VA (US)
(73) Assignee: **QTM, LLC**, Madison Heights, VA (US)
(*) Notice: This patent is subject to a terminal disclaimer.
(**) Term: **15 Years**
(21) Appl. No.: **29/670,063**
(22) Filed: **Nov. 13, 2018**
(51) **LOC (13) Cl.** **22-01**
(52) **U.S. Cl.**
USPC **D22/107; D21/571**
(58) **Field of Classification Search**
USPC **D22/102, 106, 107, 115, 117, 199;**
D21/387, 567, 570, 571, 746
(Continued)

(56) **References Cited**
U.S. PATENT DOCUMENTS
D300,762 S * 4/1989 Jennings D22/107
D316,588 S * 4/1991 Highby D22/107
(Continued)

OTHER PUBLICATIONS
Hoyt Integra Direct Sight Manual Excerpt; "Hoyt Integra Direct Sight Mounting;" Dated on or Before Aug. 24, 2015; p. No. 11, 1 page.
(Continued)

Primary Examiner — Mojtaba Tehrani
(74) *Attorney, Agent, or Firm* — Barclay Damon LLP

(57) **CLAIM**
The ornamental design for a portion of an archery bow riser, as shown and described.

DESCRIPTION
FIG. 1 is a front elevation view of the first embodiment of a portion of an archery bow riser;
FIG. 2 is a rear elevation view thereof;
FIG. 3 is a left side elevation view thereof;
FIG. 4 is a right side elevation view thereof;
FIG. 5 is a top view thereof;
FIG. 6 is a bottom view thereof;
FIG. 7 is a front isometric view thereof;
FIG. 8A is a left side isometric view thereof;
FIG. 8B is an enlarged view of a portion thereof;
FIG. 9A is another left side isometric view thereof;
FIG. 9B is an enlarged view thereof;
FIG. 10A is a bottom left isometric thereof;
FIG. 10B is an enlarged view of a portion thereof;
FIG. 11A is a top isometric view thereof;
FIG. 11B is an enlarged view of a portion thereof;
FIG. 12A is another bottom left isometric view thereof;
FIG. 12B is an enlarged view of a portion thereof;
FIG. 13A is a bottom right isometric view thereof;
FIG. 13B is an enlarged view of a portion thereof;
FIG. 14A is another right isometric view thereof;
FIG. 14B is an enlarged view of a portion thereof;
FIG. 15A is another top isometric view thereof;
FIG. 15B is an enlarged view of a portion thereof;
FIG. 16 is a cross sectional view thereof, taken along line 16-16;
FIG. 17 is a front elevation view of a second embodiment of a portion of an archer bow riser;
FIG. 18 is a rear elevation view thereof;
FIG. 19 is a left side elevation view thereof;
FIG. 20 is a right side elevation view thereof;
FIG. 21 is a top view thereof;
FIG. 22 is a bottom view thereof;
FIG. 23 is a front isometric view thereof;
FIG. 24A is a left side isometric view thereof;
FIG. 24B is an enlarged view of a portion thereof;
FIG. 25A is another left side isometric view thereof;
FIG. 25B is an enlarged view of a portion thereof;
(Continued)

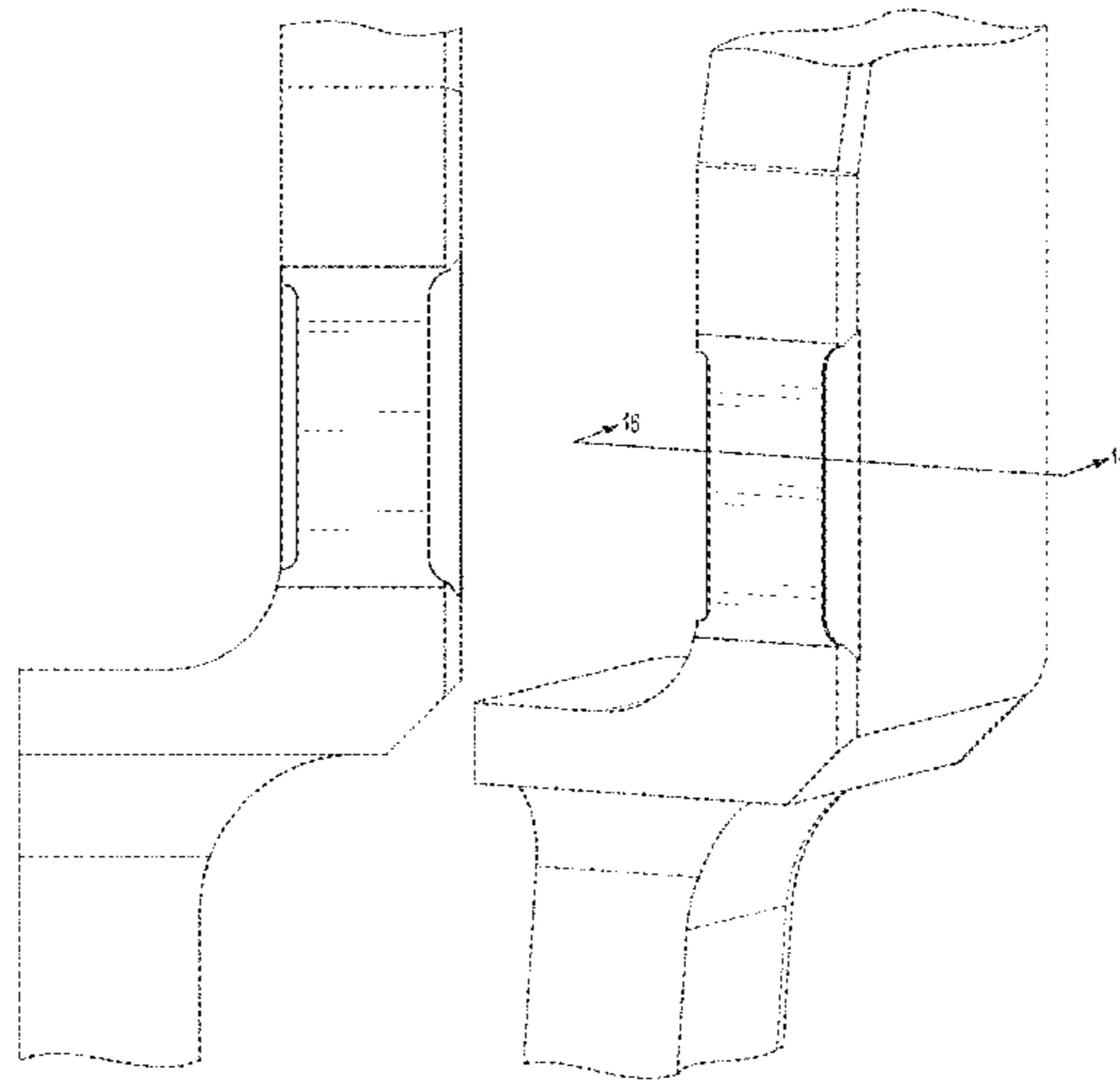


FIG. 26A is a bottom left isometric view thereof;
 FIG. 26B is an enlarged view of a portion thereof;
 FIG. 27A is a top isometric view thereof;
 FIG. 27B is an enlarged view of a portion thereof;
 FIG. 28A is another bottom left isometric view thereof;
 FIG. 28B is an enlarged view of a portion thereof;
 FIG. 29A is a bottom right isometric view thereof;
 FIG. 29B is an enlarged view of a portion thereof;
 FIG. 30A is another right isometric view thereof;
 FIG. 30B is an enlarged view of a portion thereof;
 FIG. 31A is another top isometric view thereof;
 FIG. 31B is an enlarged view of a portion thereof; and,
 FIG. 32 is a cross sectional view thereof, taken along line 32-32.

1 Claim, 48 Drawing Sheets

(58) **Field of Classification Search**

CPC .. F42B 6/08; F42B 6/04; F42B 12/362; A61F
 2002/30306; A61F 2230/0097

See application file for complete search history.

(56) **References Cited**

U.S. PATENT DOCUMENTS

5,289,814	A	3/1994	Maisano	
5,341,791	A	8/1994	Shafer	
5,372,119	A	12/1994	Kidney	
5,379,746	A	1/1995	Sappington	
5,507,272	A	4/1996	Scantlen	
5,529,049	A	6/1996	Antalosky	
5,845,388	A *	12/1998	Andrews	B29C 70/545 29/527.1
5,853,001	A	12/1998	Vyprachticky	
D416,067	S *	11/1999	Epling	D22/100
D439,627	S *	3/2001	D'Acquisto	D22/107
D453,544	S *	2/2002	Pullin	D22/107
6,557,541	B2	5/2003	Pinto, Jr.	
D503,958	S *	4/2005	Kronengold	D22/107
6,895,676	B1	5/2005	Mendyk	
D528,625	S *	9/2006	Blosser	D22/107
D533,250	S *	12/2006	Sims	D22/107
7,464,908	B2	12/2008	Files	
7,775,201	B2	8/2010	Cooper	
D637,255	S *	5/2011	McPherson	D22/107
D637,256	S *	5/2011	McPherson	D22/107
D637,257	S *	5/2011	McPherson	D22/107

D637,679	S *	5/2011	McPherson	D22/107
8,065,994	B2	11/2011	Holmberg	
8,328,147	B2	12/2012	Gardner et al.	
8,342,161	B2	1/2013	Harwath et al.	
8,505,527	B2	8/2013	Kempf	
8,784,628	B2 *	7/2014	Grace, Jr.	F41B 5/1403 124/25.6
8,839,772	B2	9/2014	Lee	
8,839,775	B2 *	9/2014	Wasilewski	F41B 5/1426 124/89
D737,395	S *	8/2015	Rodich	D22/107
D738,441	S *	9/2015	Cummings	D21/571
D741,439	S *	10/2015	Rodich	D21/571
D775,704	S *	1/2017	Nevels	D22/107
D819,158	S *	5/2018	Pell	D22/107
D820,936	S *	6/2018	Kelly	D22/107
D844,089	S *	3/2019	Rodich	D22/107
D871,534	S *	12/2019	McPherson	D22/107
D872,213	S *	1/2020	McPherson	D22/107
D881,999	S *	4/2020	Lin	D21/571
2006/0144382	A1 *	7/2006	Achkar	F41B 5/14 124/86
2010/0083943	A1 *	4/2010	Grace	F41B 5/14 124/25.6
2012/0042861	A1 *	2/2012	Anselmo	F41B 5/10 124/25.6
2013/0081605	A1	4/2013	Lee, Jr.	
2013/0233292	A1	9/2013	Gardner	
2018/0187997	A1 *	7/2018	Summers	F41B 5/1403
2018/0224237	A1 *	8/2018	McPherson	F41B 5/123
2018/0306550	A1 *	10/2018	McPherson	F41B 5/1426

OTHER PUBLICATIONS

“Hoyt Intensity Bow and Integra Sight Mount;” Dated on or Before Aug. 24, 2015; retrieved from the Internet: <https://www.popscreen.com/prod/MTI2MTM4ODY5/Hoyt-USA-Intensity-Compound-Bow-with-Integra-Sight-eBay>; 1 page.
 Hoyt Bow User Manual; Dated on or Before Aug. 24, 2015; 23 pages.
 Trophy Ridge; “Vertical Drop Away Arrow Rest Manual;” Dated on or Before Apr. 11, 2015; 2 pages.
 Hunter’s Friend; “Bow Sight Selection Guide—Archery Help—Hunter’s Friend;” Feb. 12, 2007; retrieved from the Internet, <https://www.huntersfriend.com/archery-help/bow-sight-selection-guide.html>; 3 pages.
 Barnett Outdoors, LLC; “Barnett Outdoors Lil Banshee Jr. Compound Youth Archery Set;” Dated on or Before Aug. 12, 2013; 11 pages.

* cited by examiner

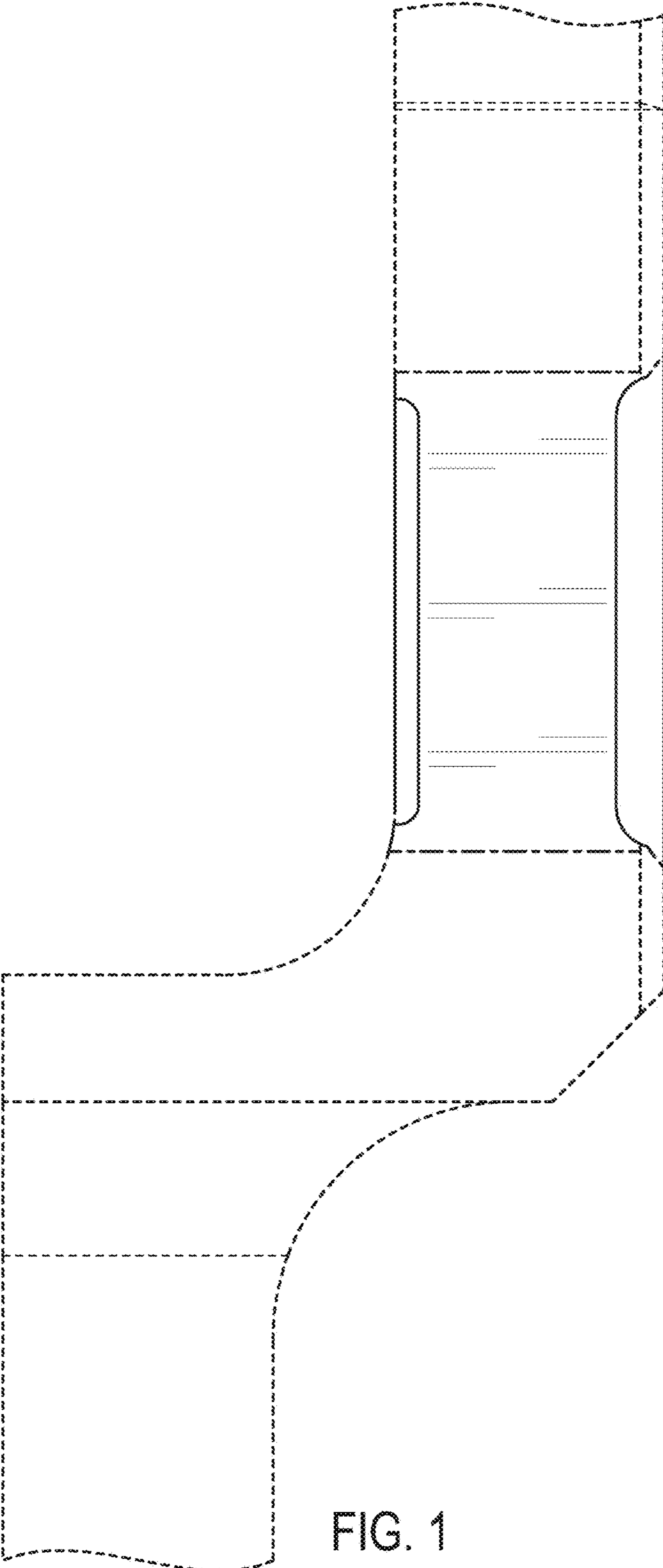


FIG. 1

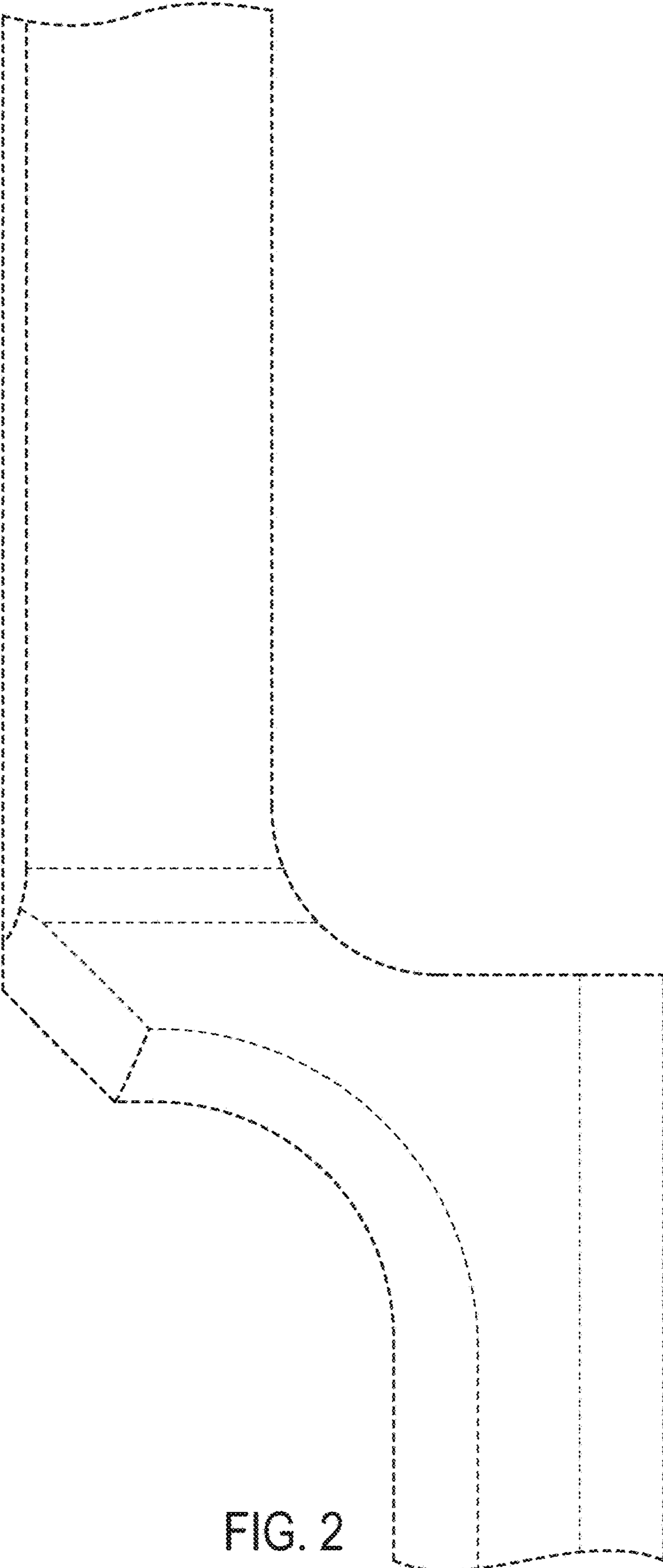


FIG. 2

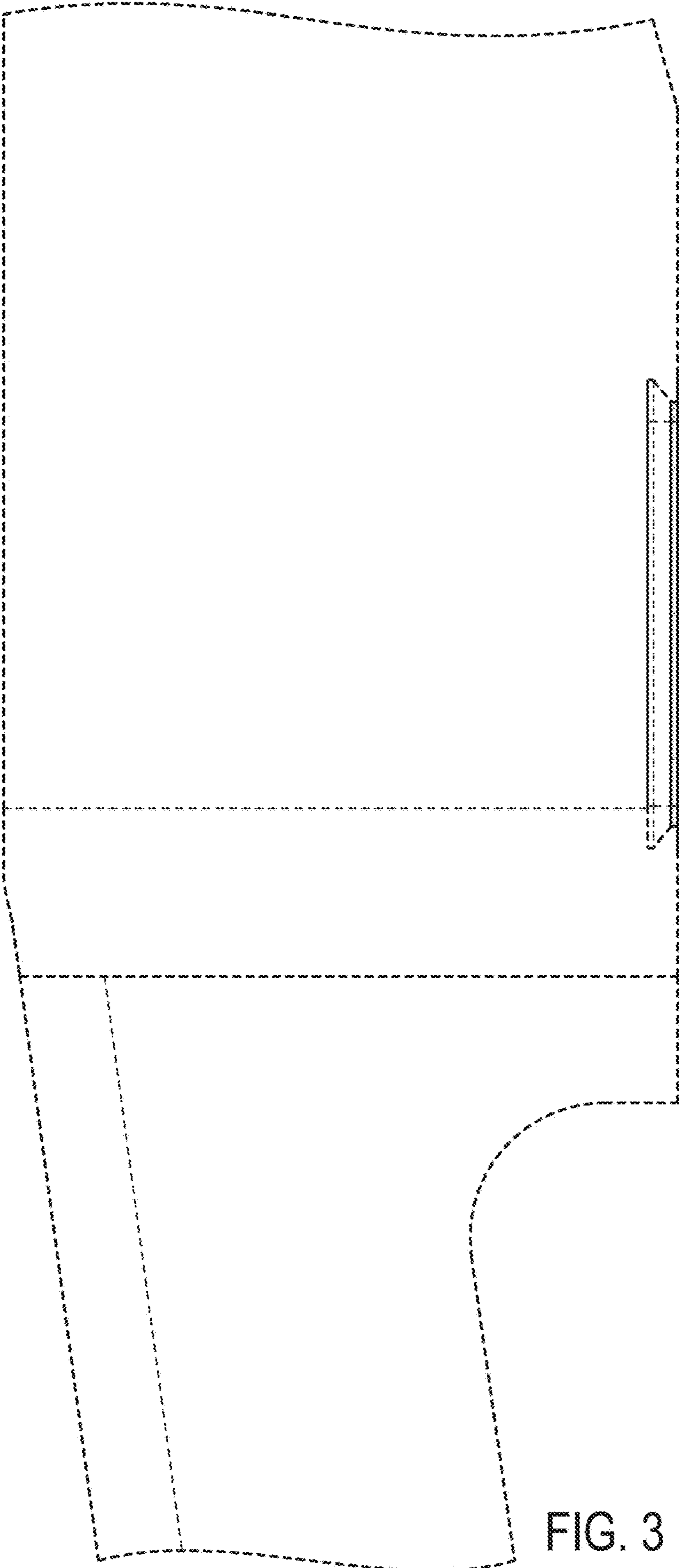


FIG. 3

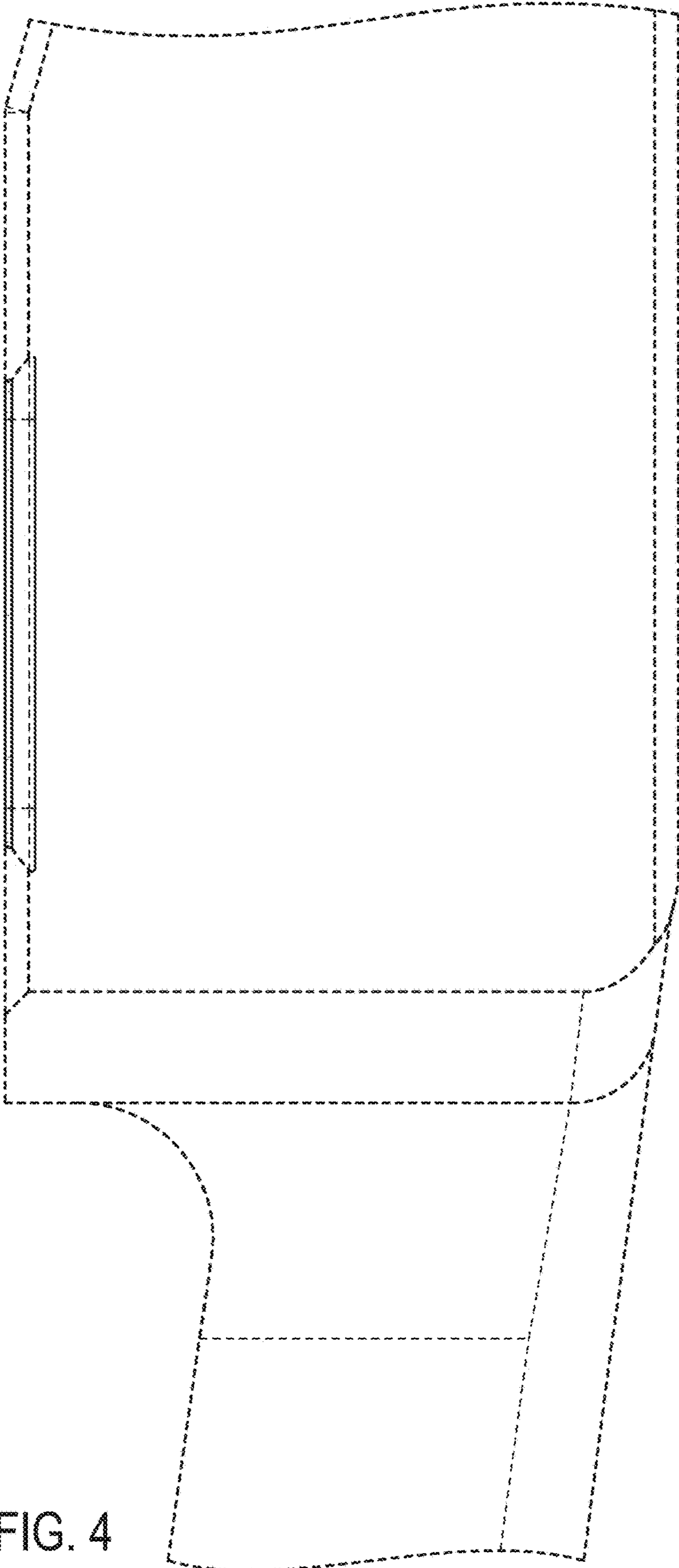


FIG. 4

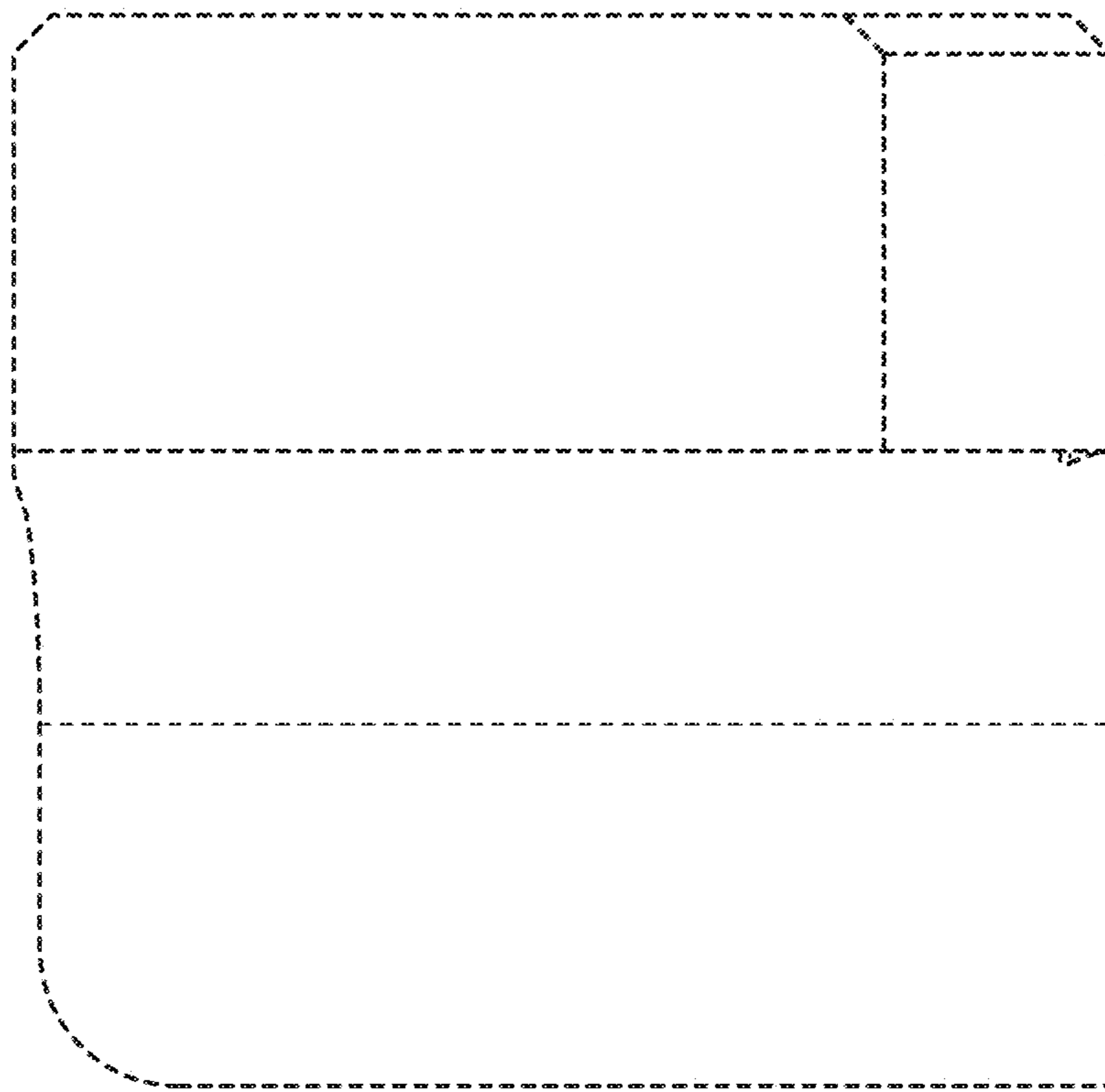


FIG. 5

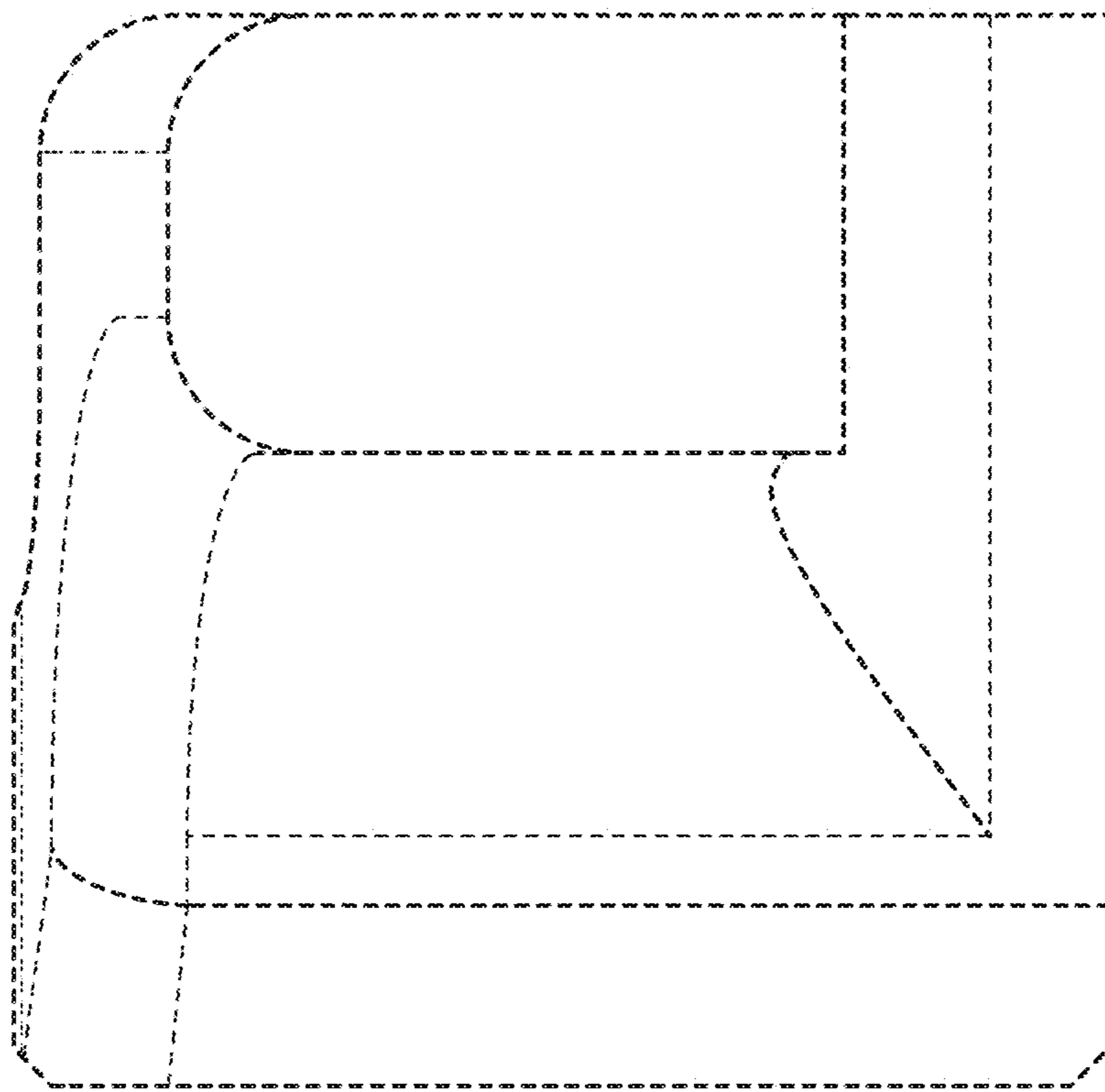


FIG. 6

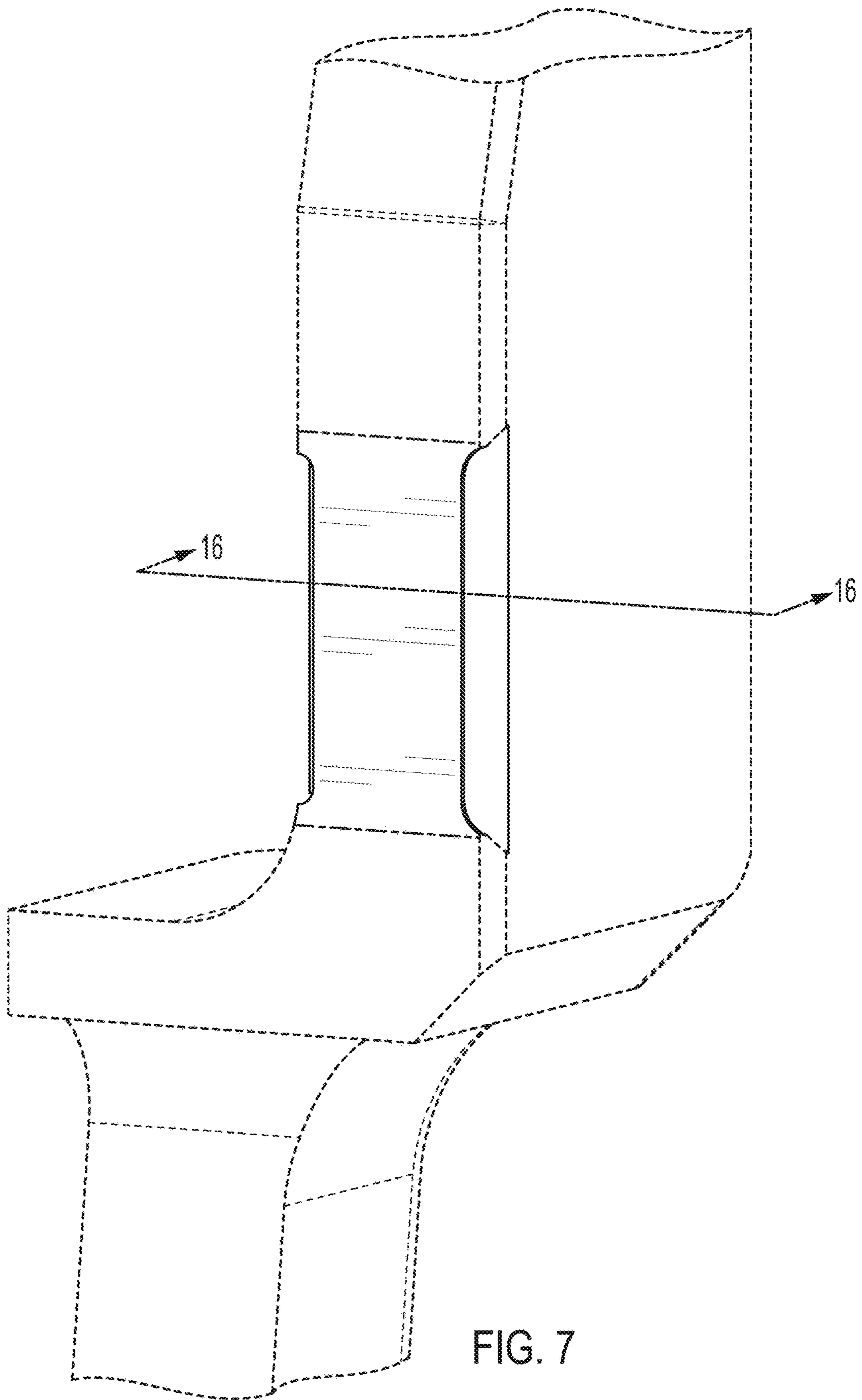
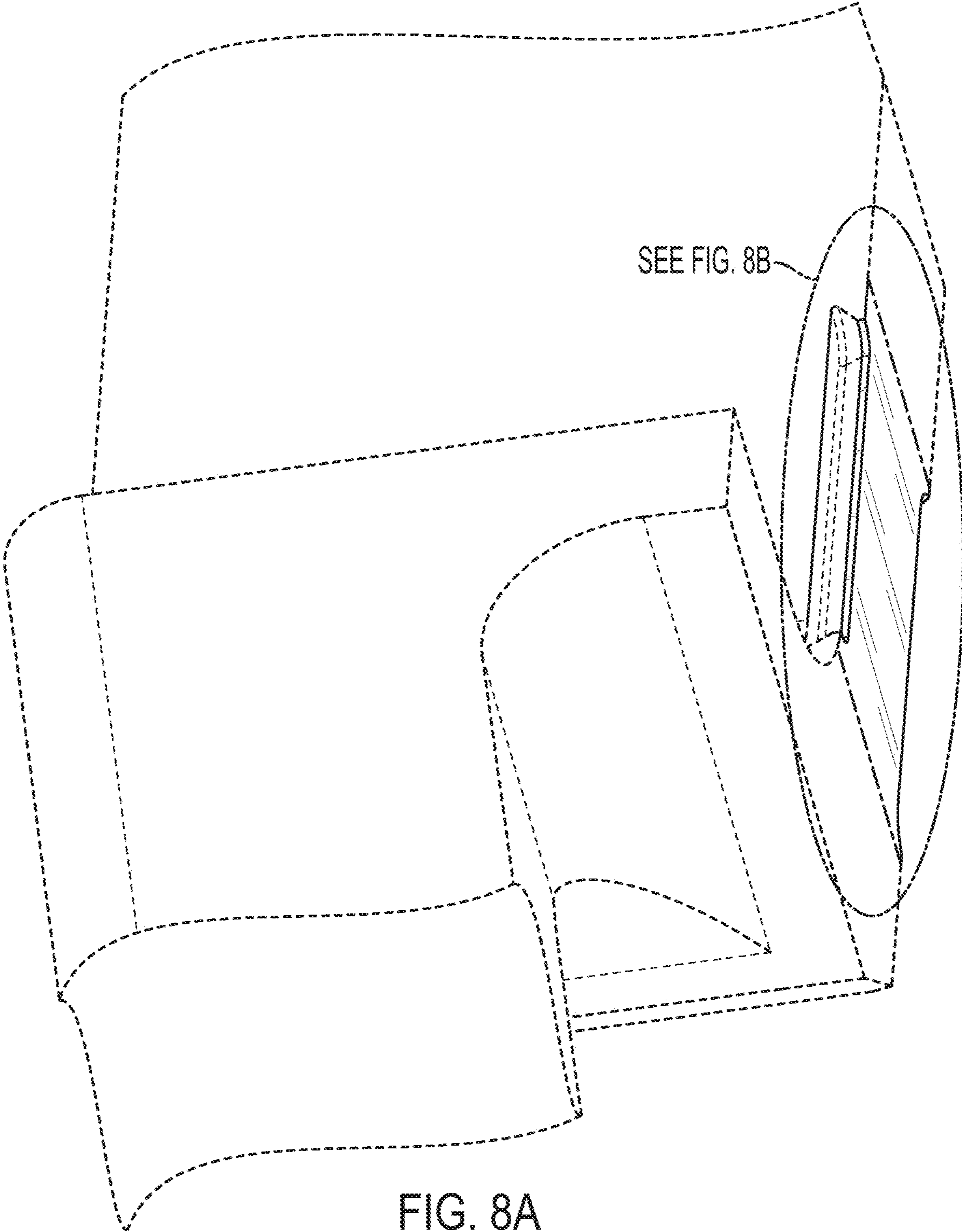


FIG. 7



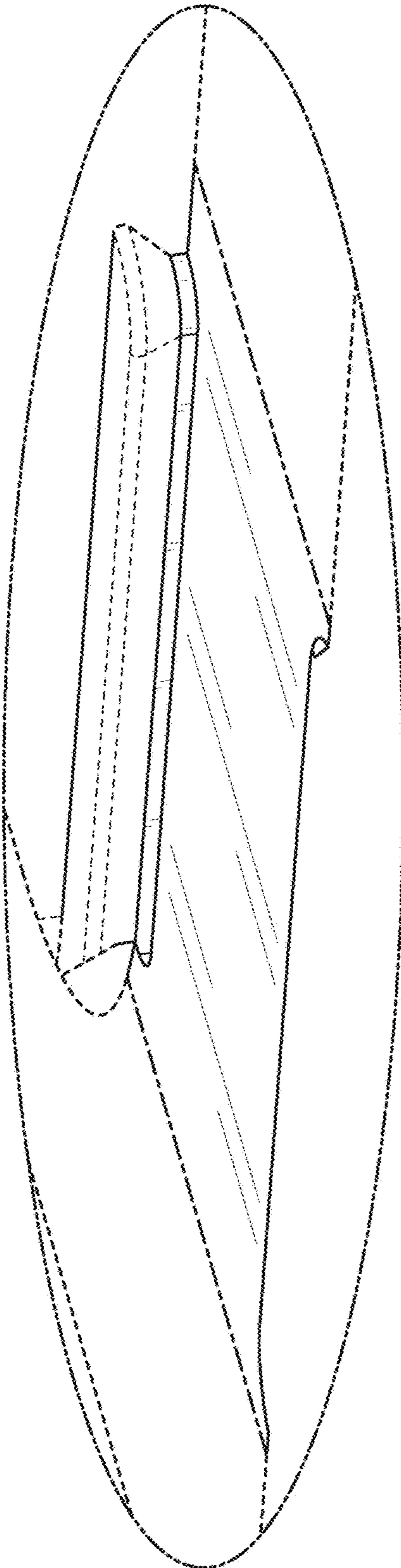


FIG. 8B

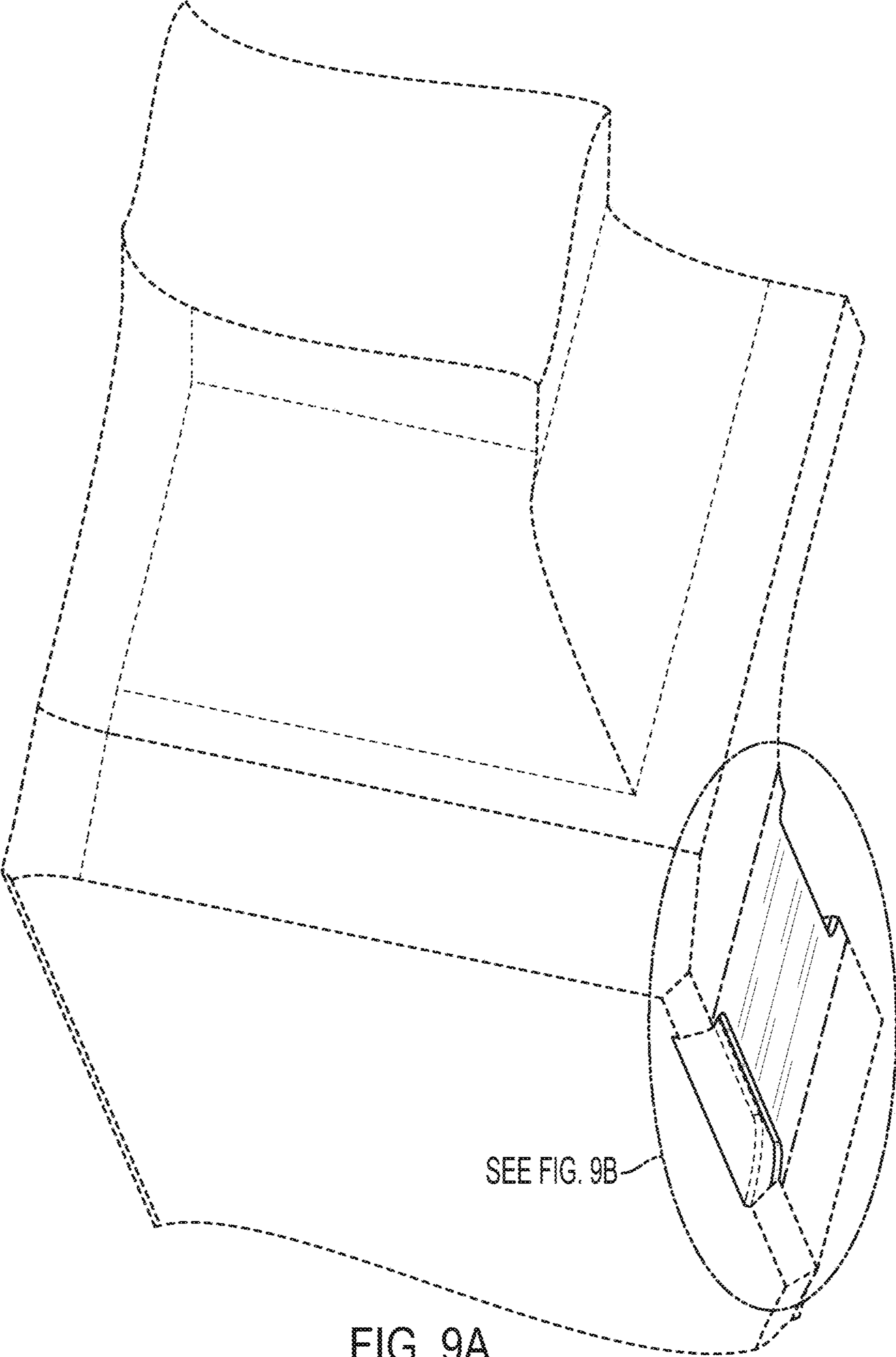


FIG. 9A

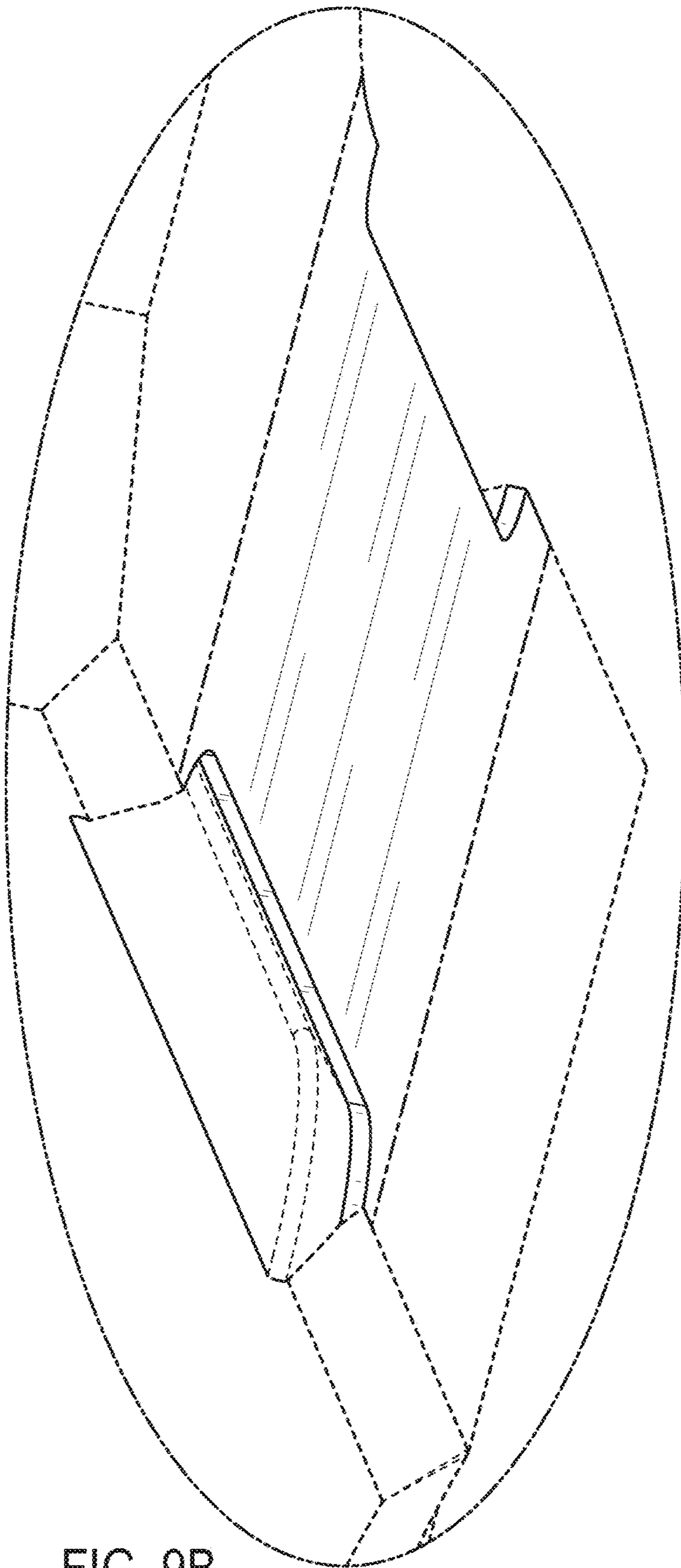


FIG. 9B

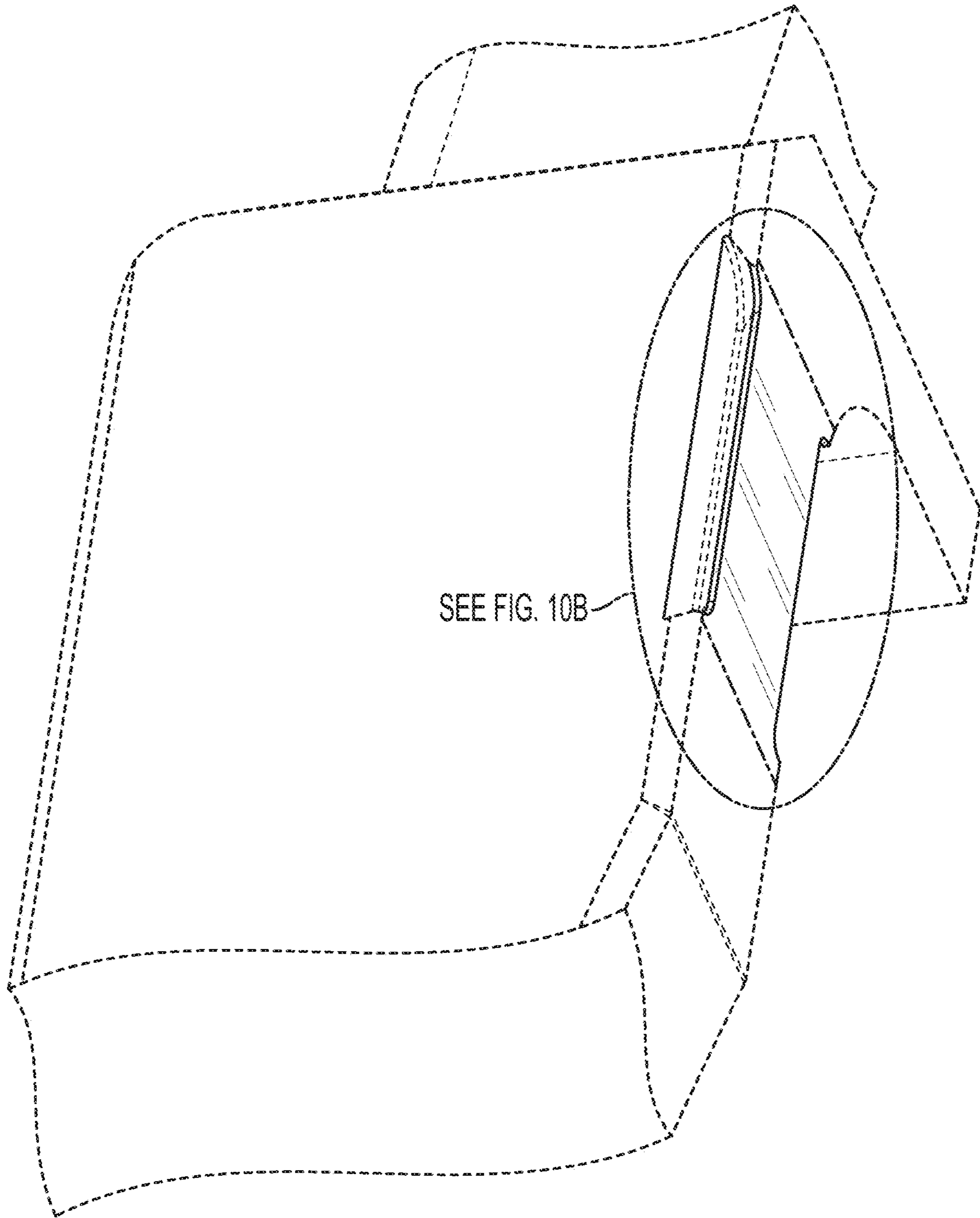


FIG. 10A

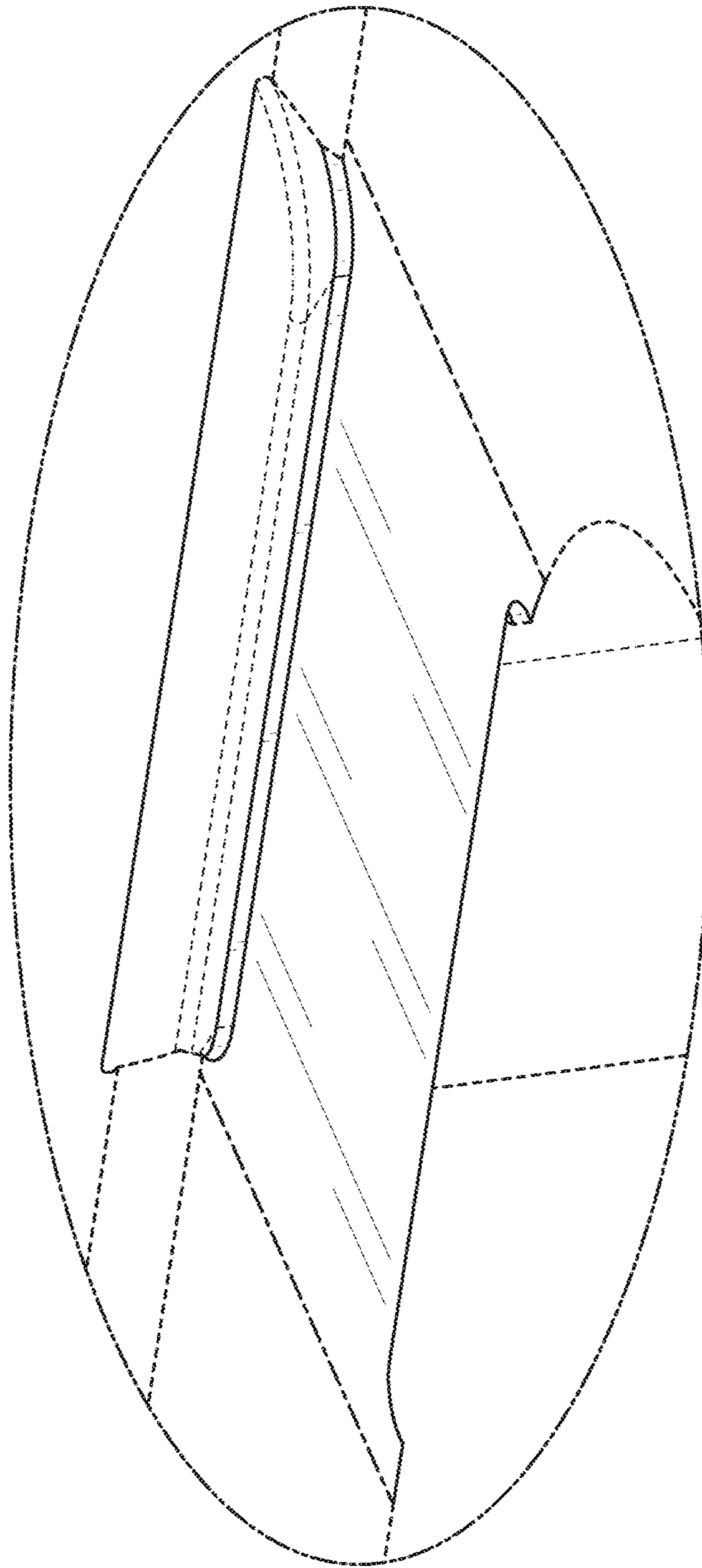


FIG. 10B

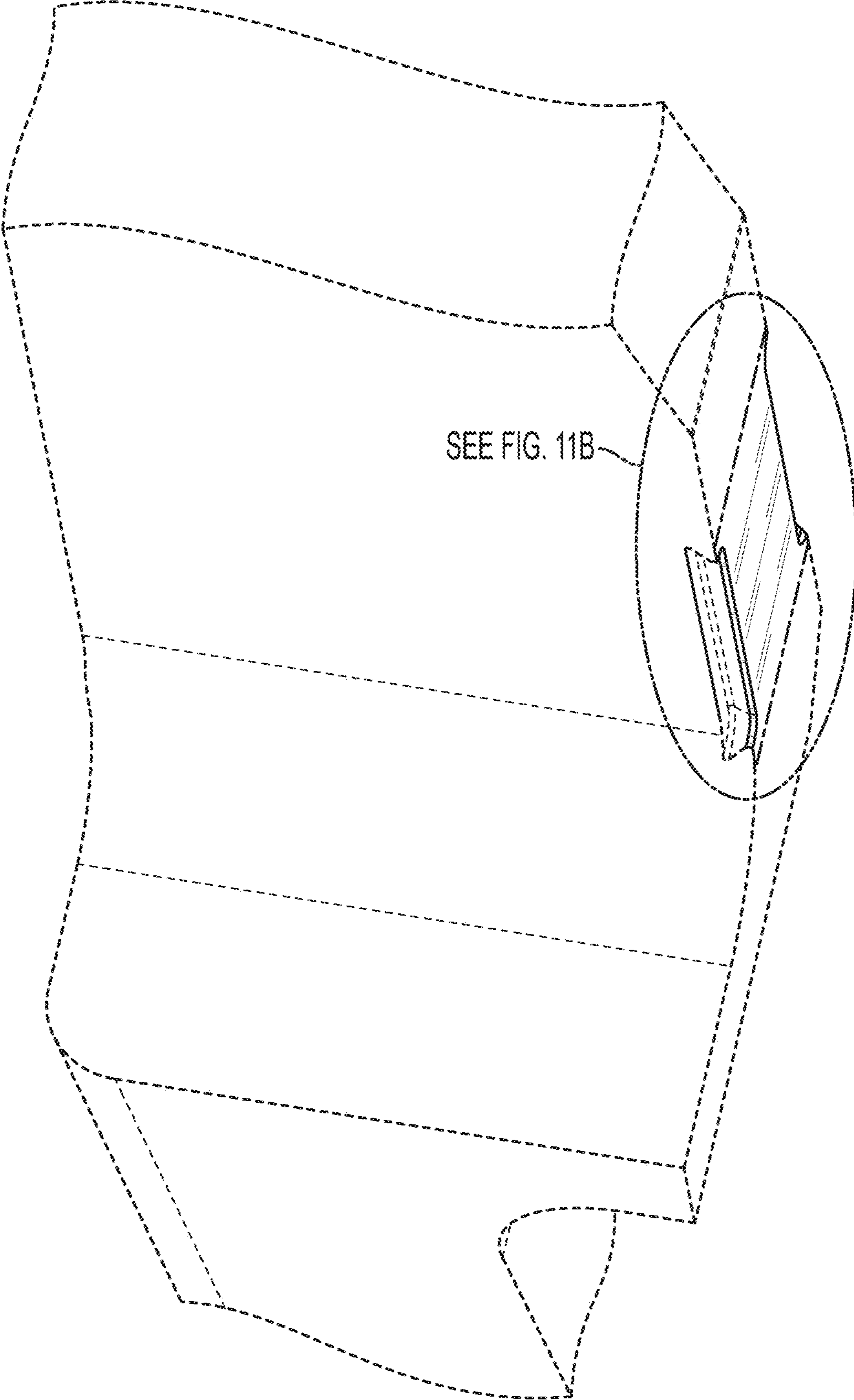


FIG. 11A

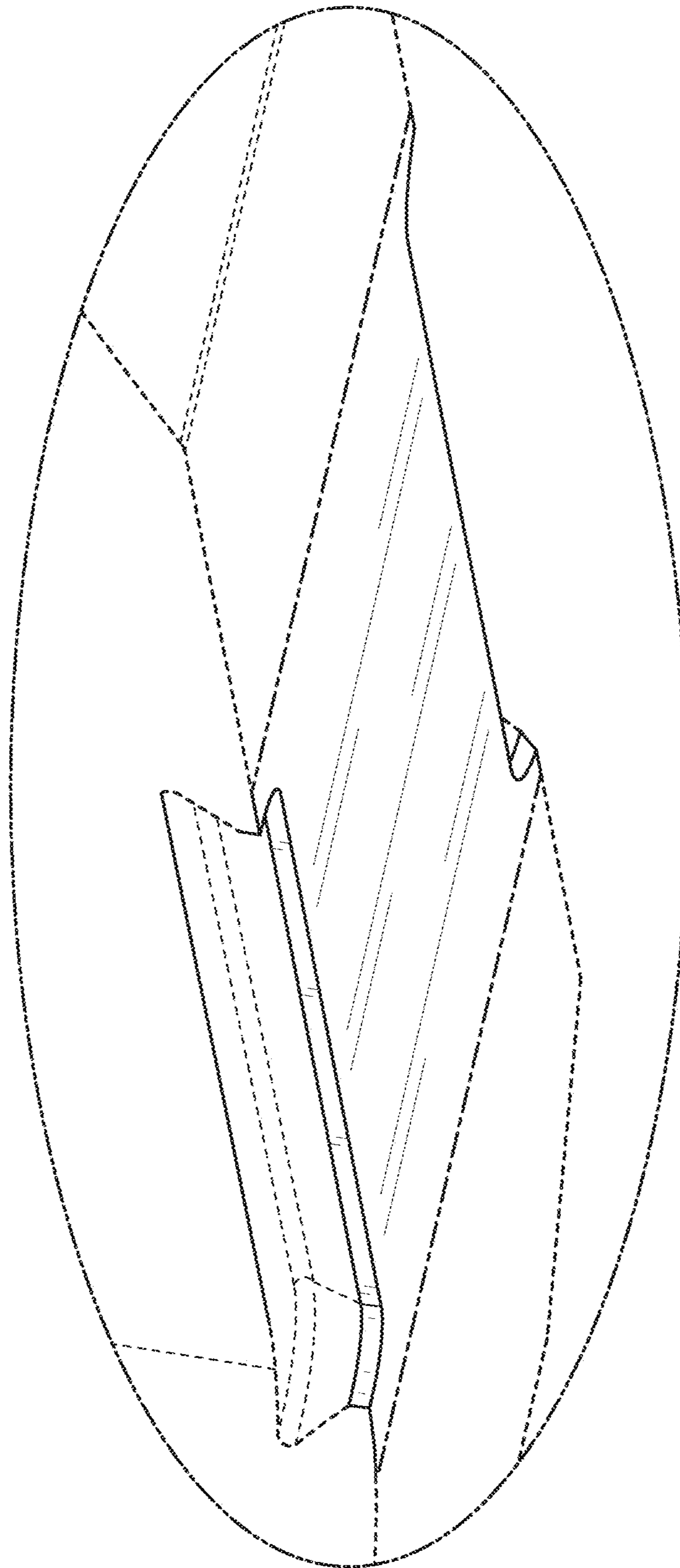


FIG. 11B

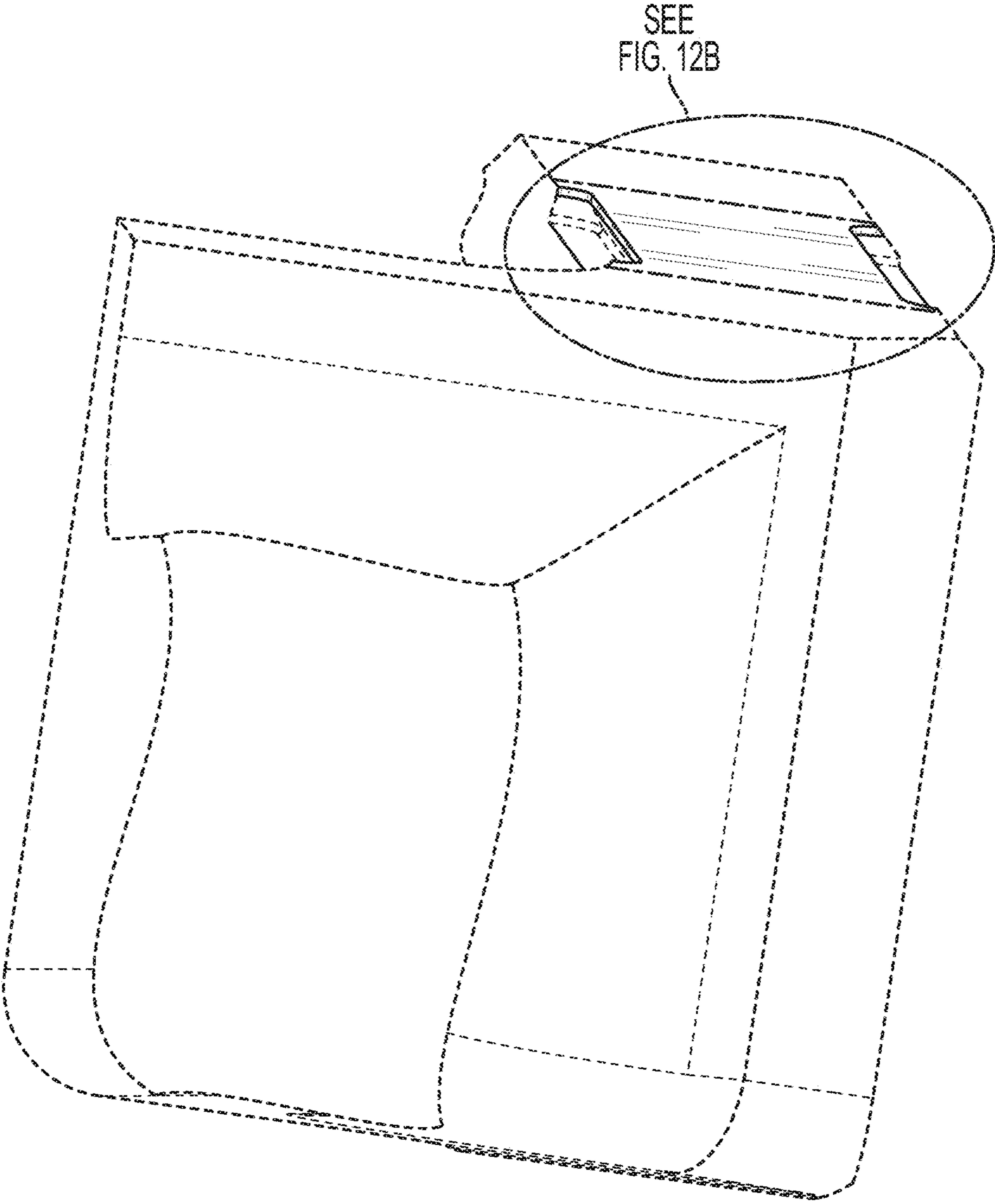


FIG. 12A

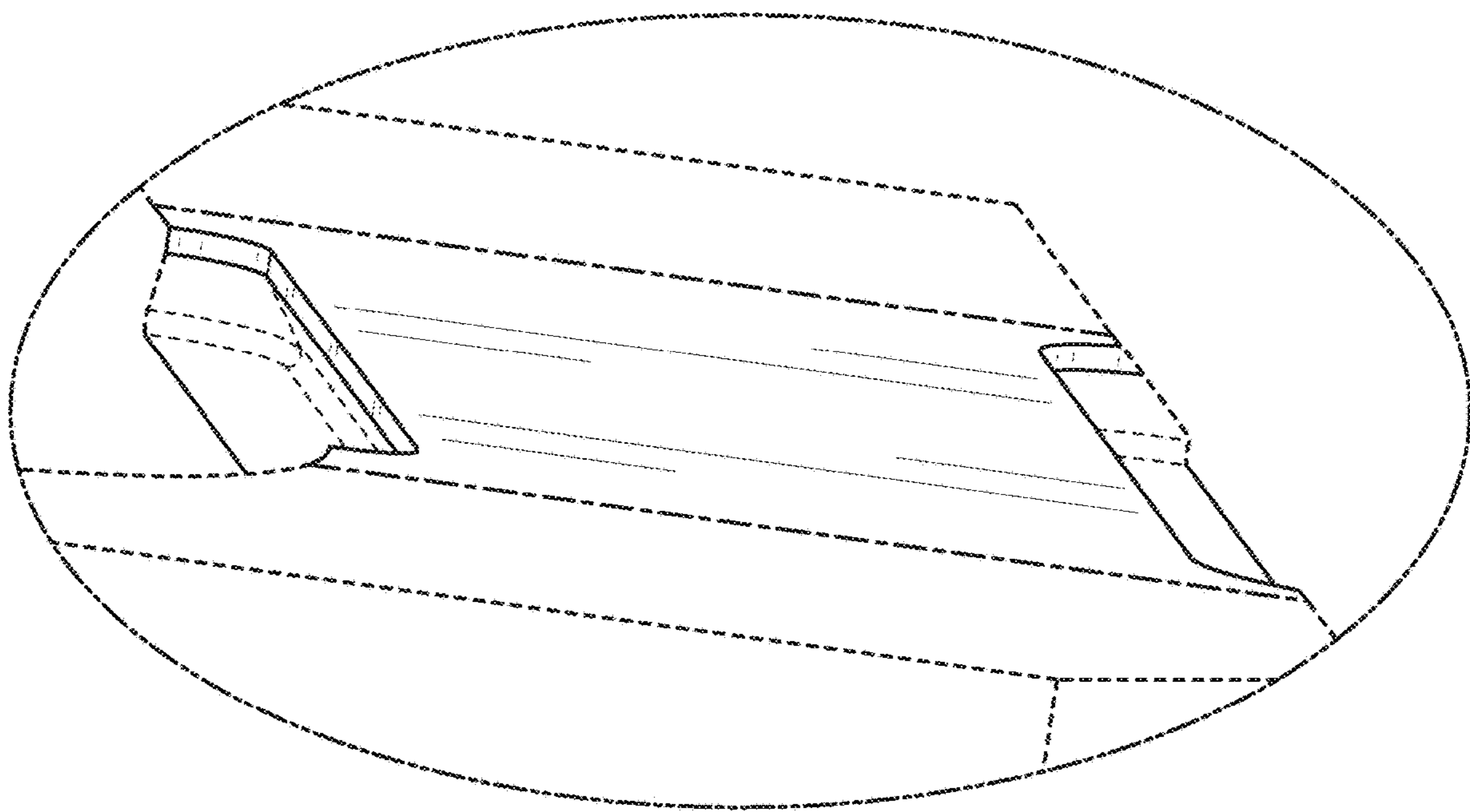


FIG. 12B

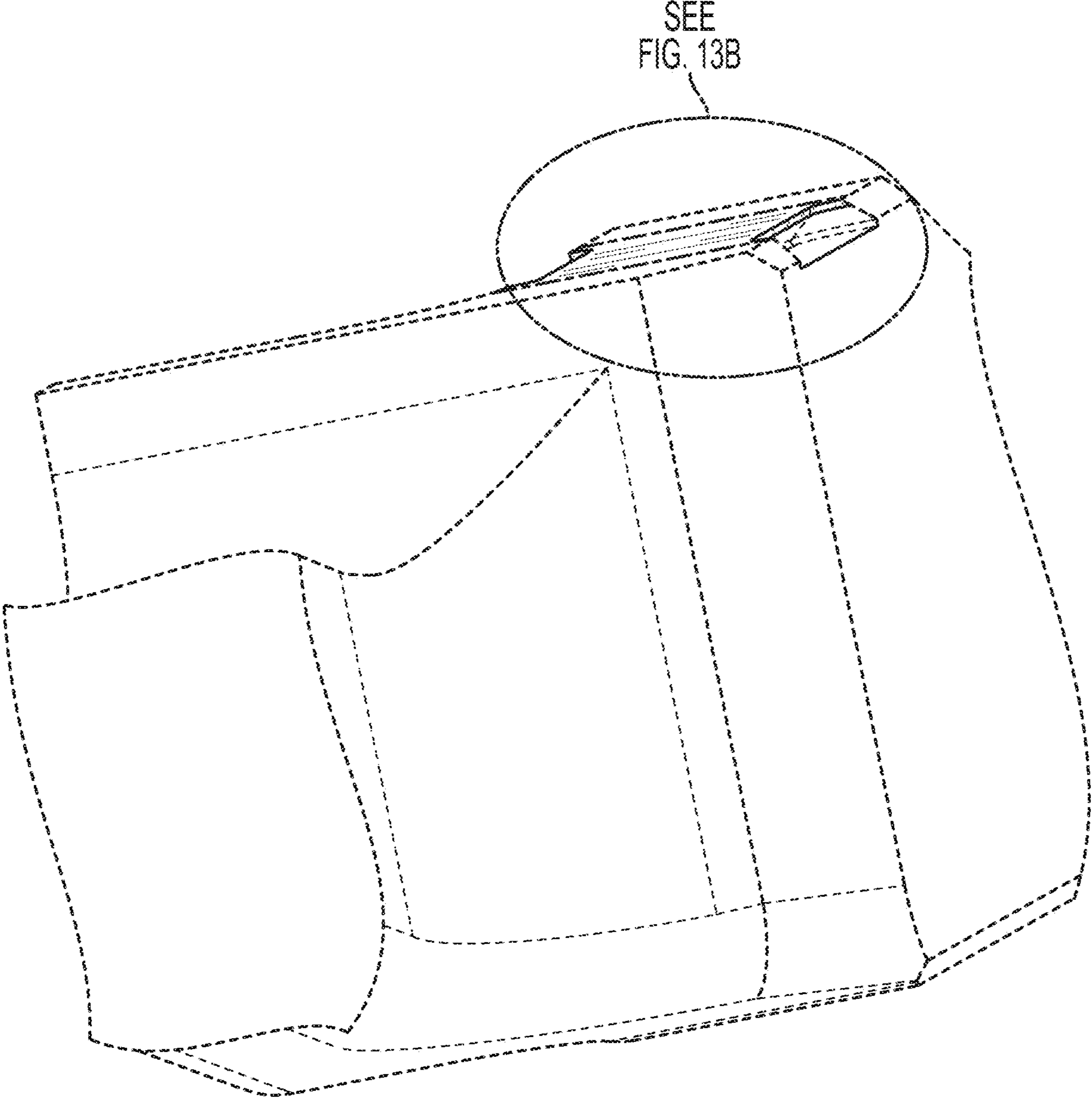


FIG. 13A

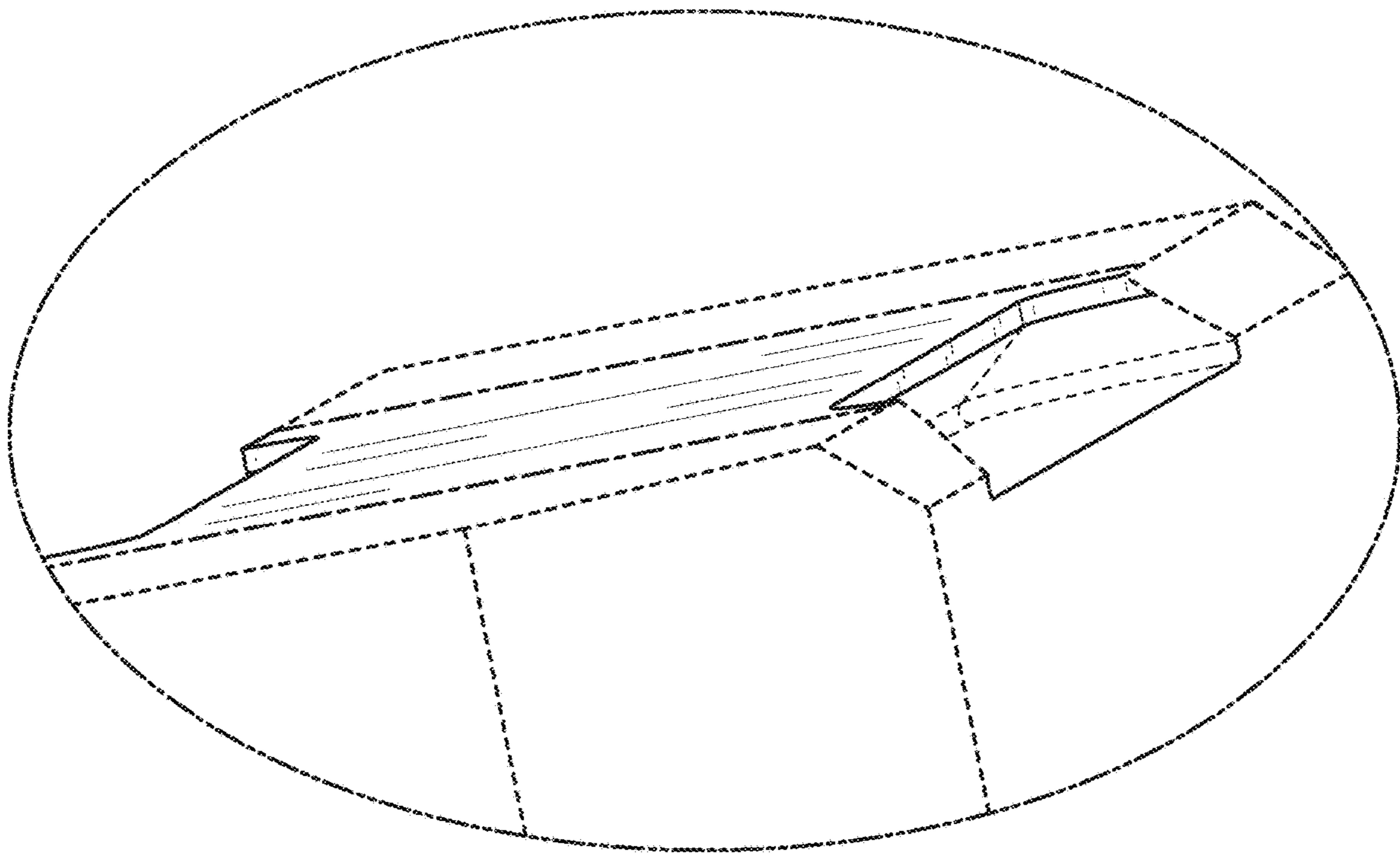
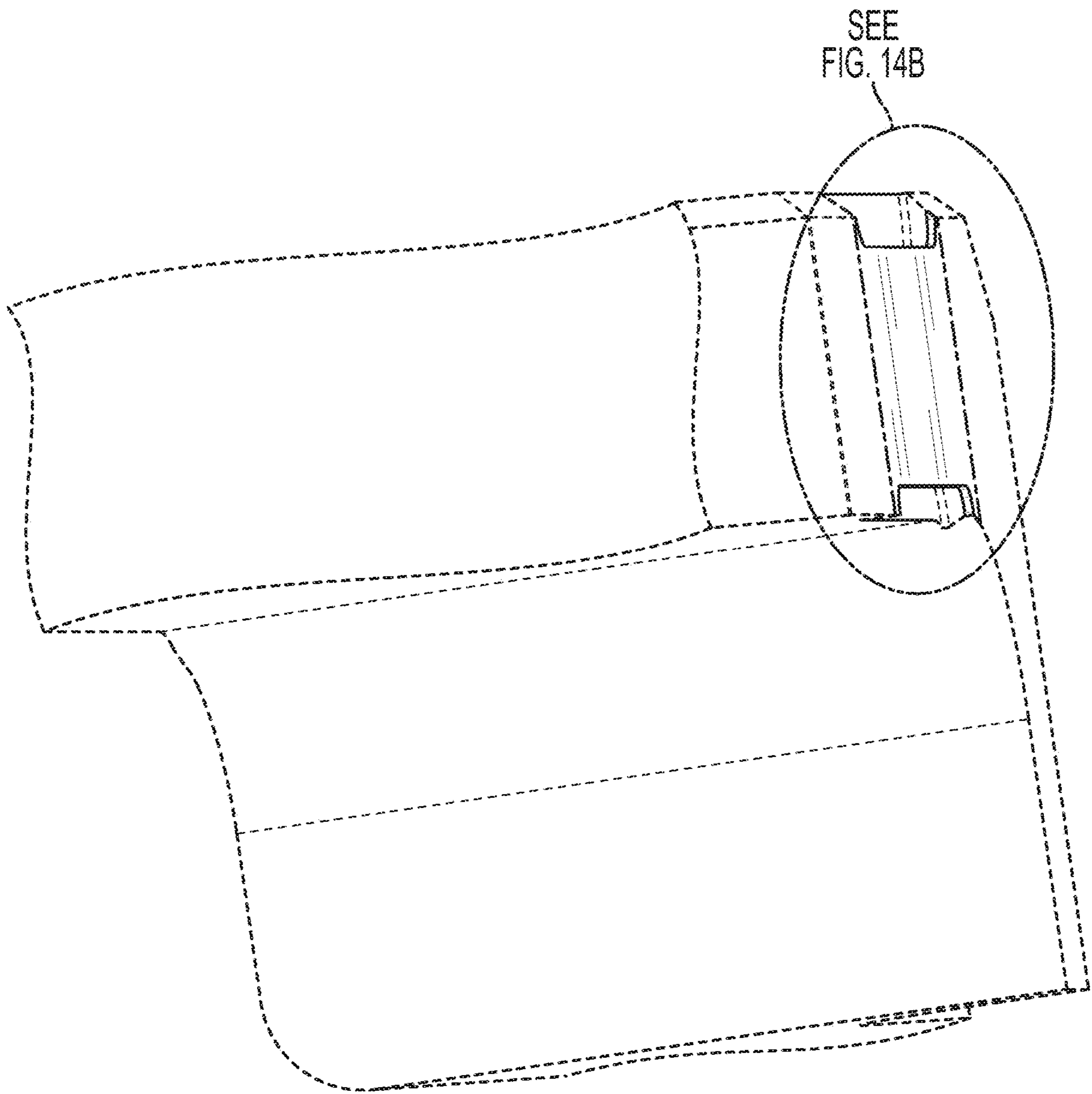


FIG. 13B



SEE
FIG. 14B

FIG. 14A

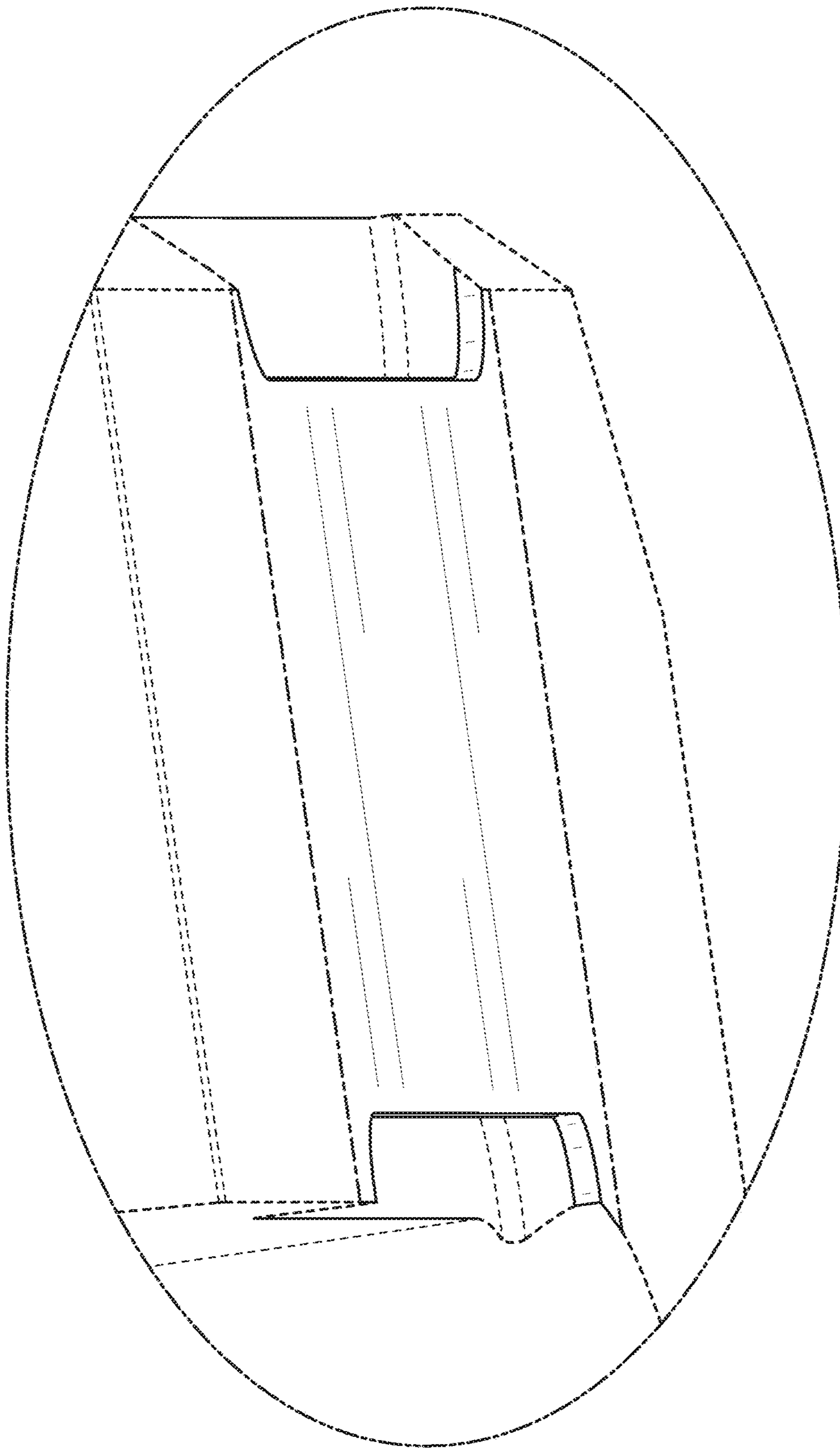


FIG. 14B

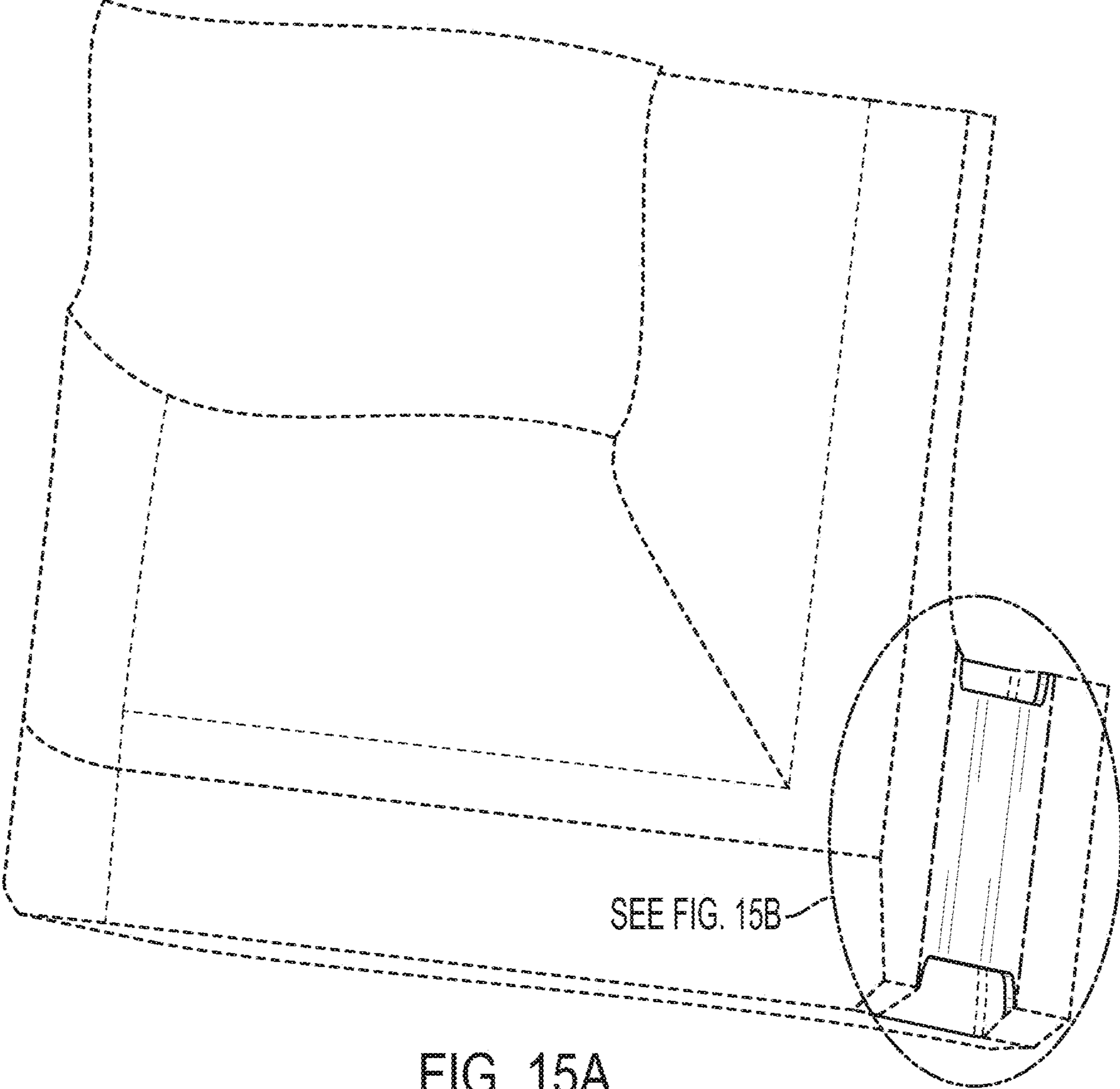


FIG. 15A

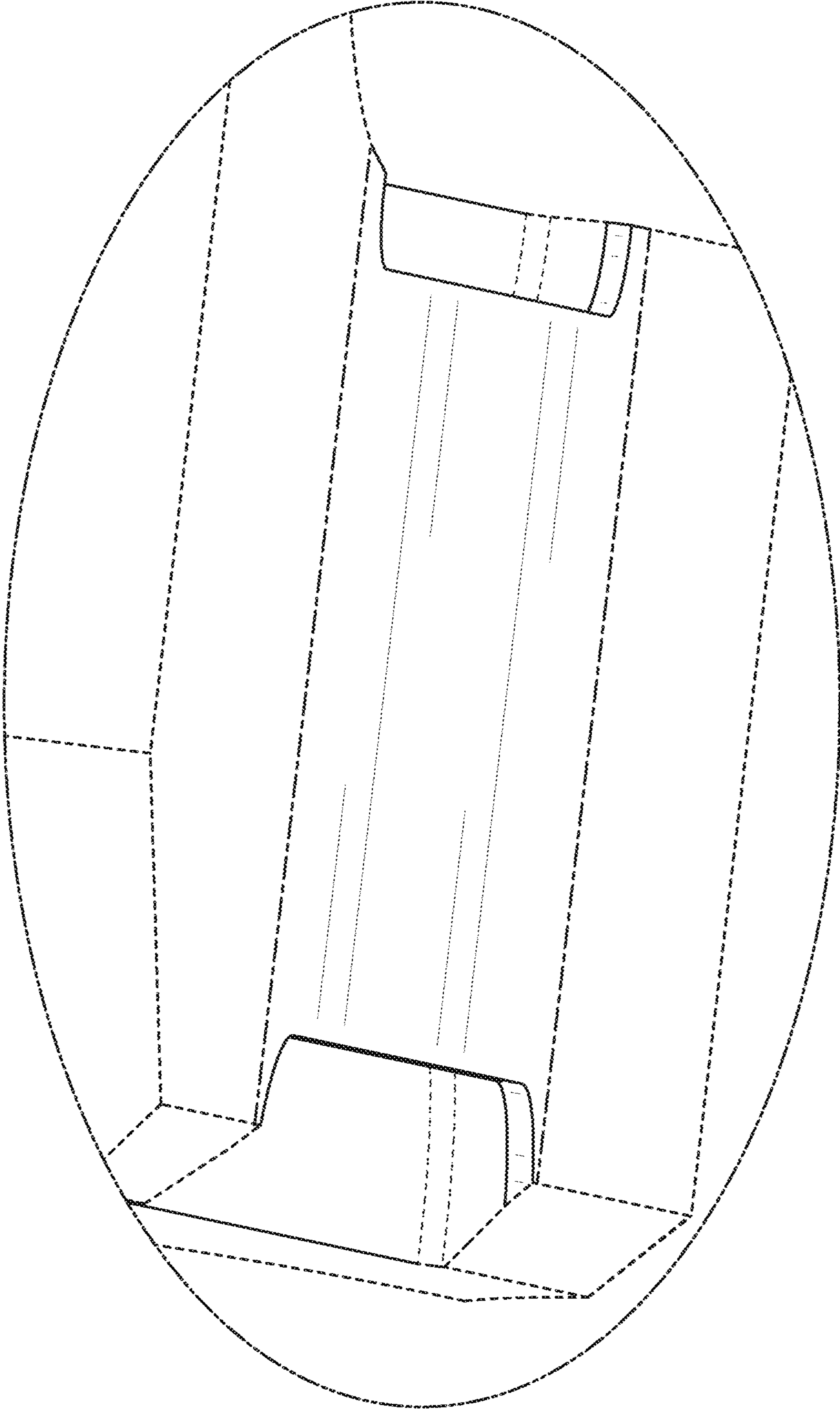


FIG. 15B

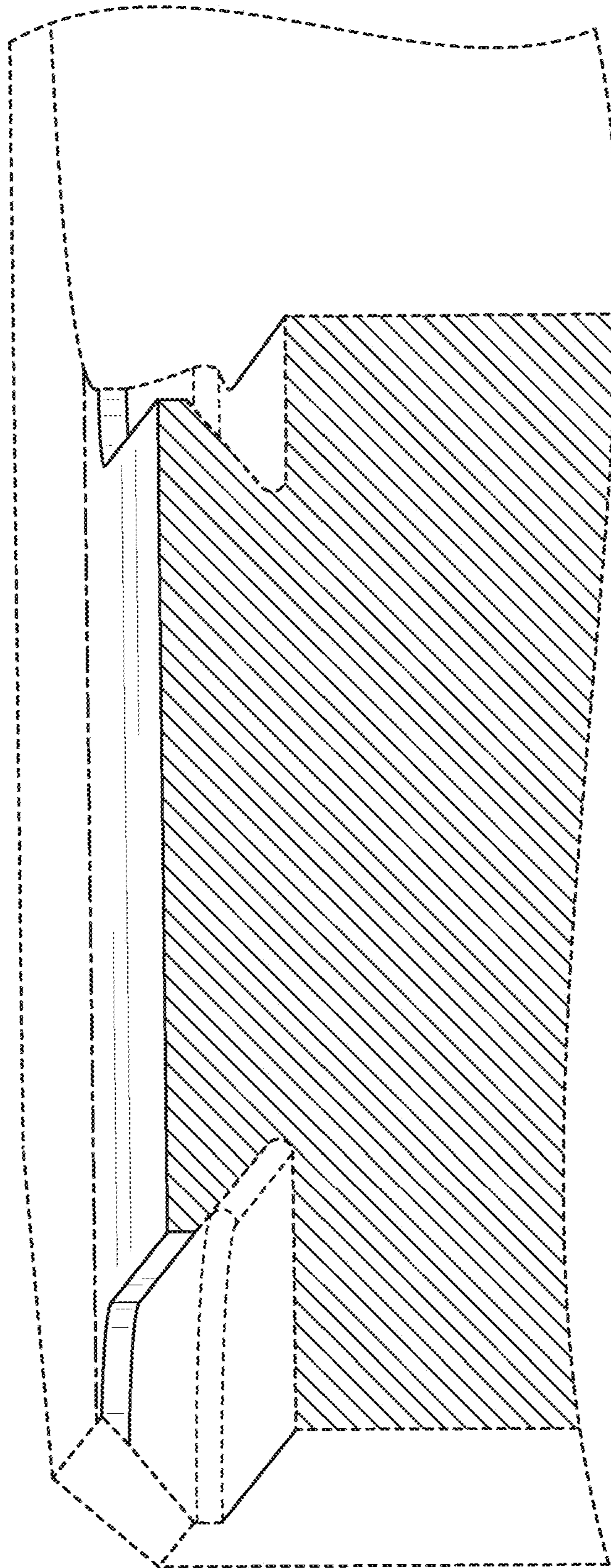


FIG. 16

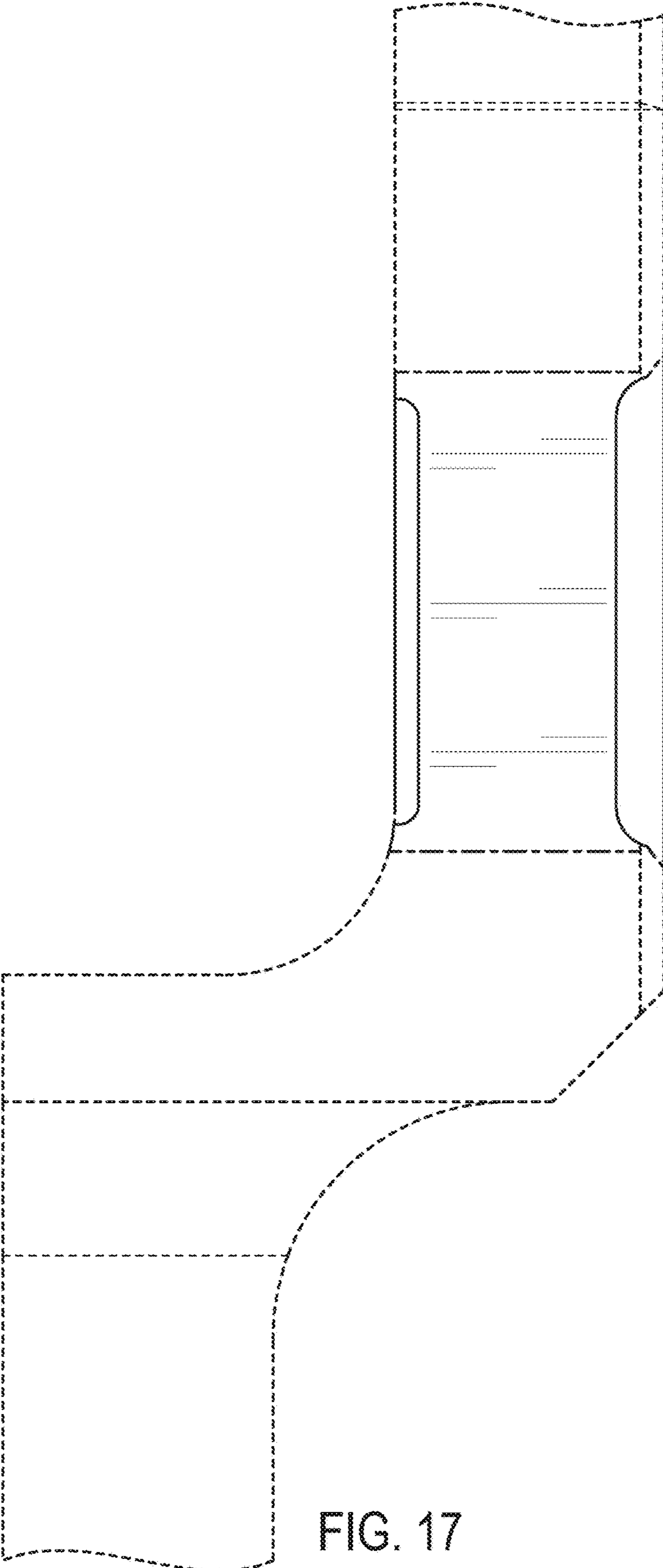


FIG. 17

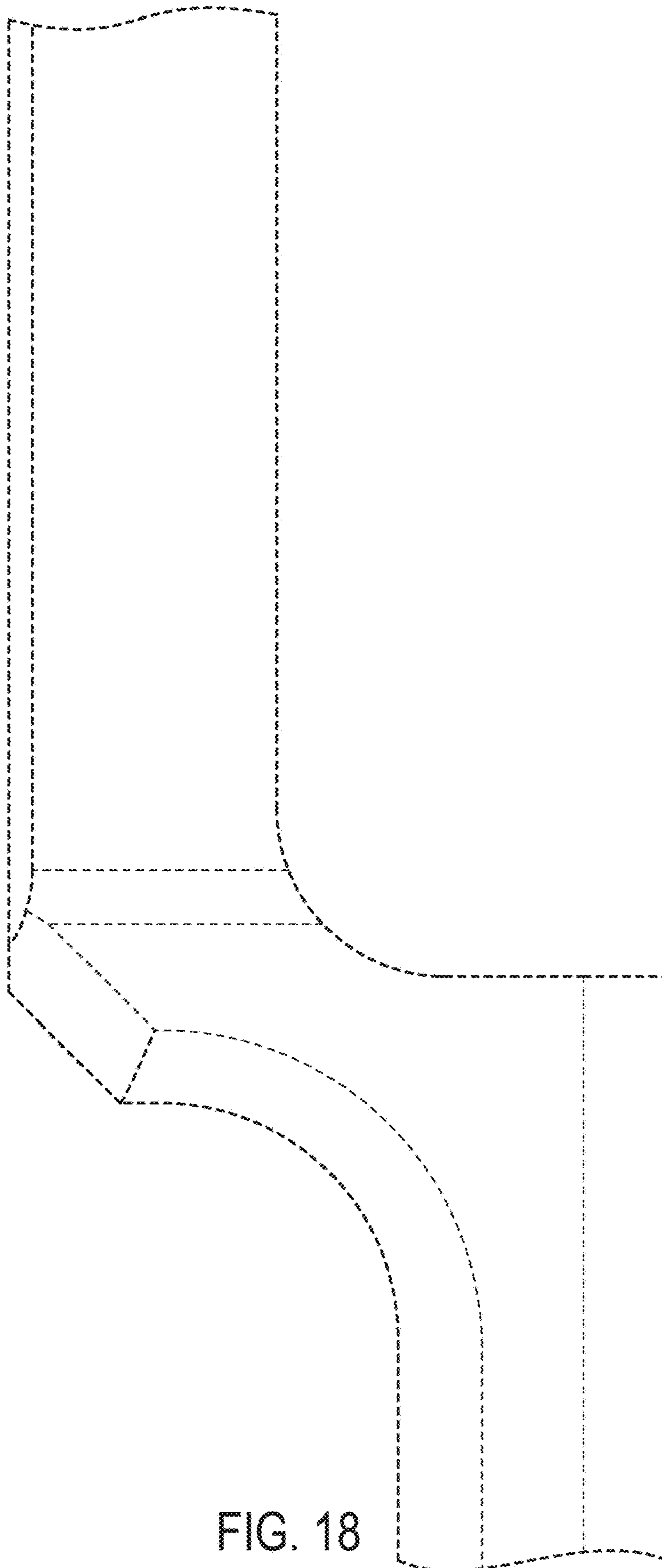


FIG. 18

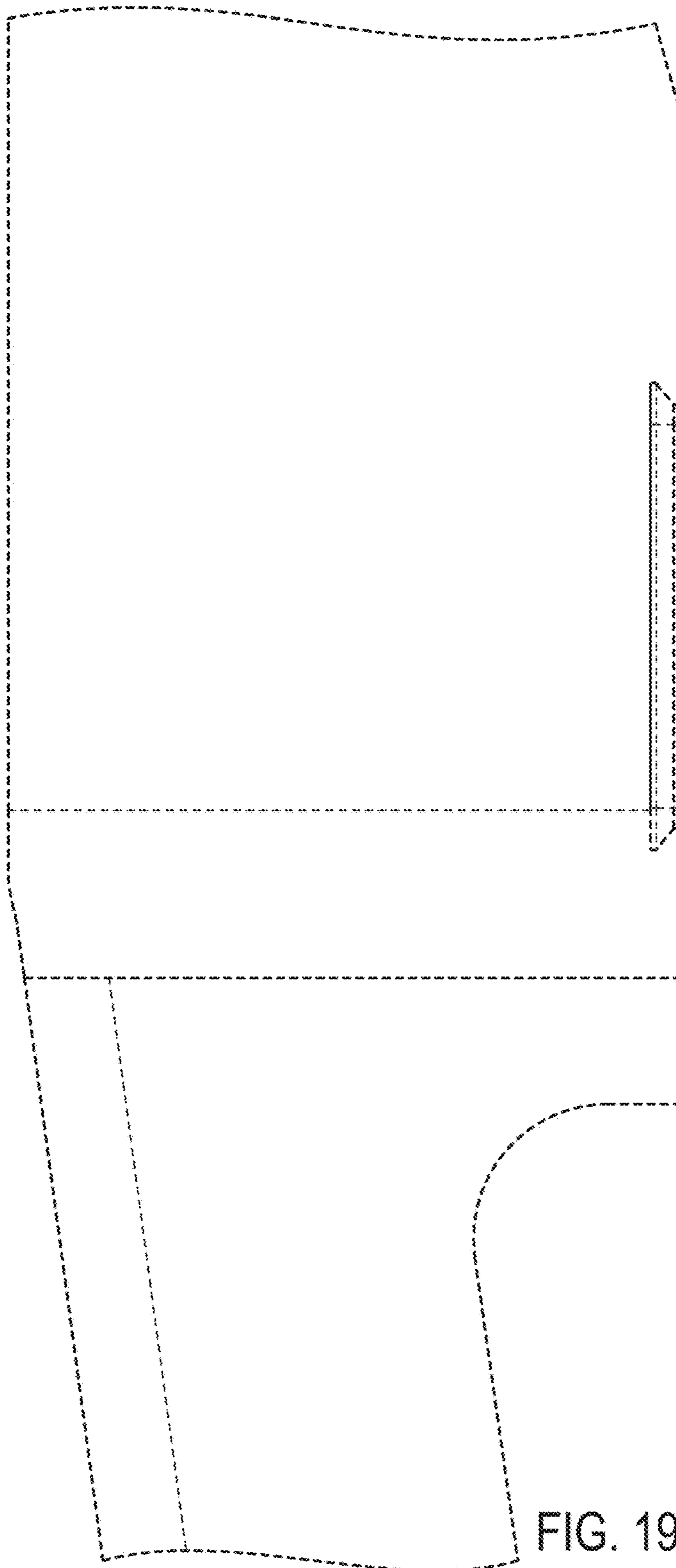


FIG. 19

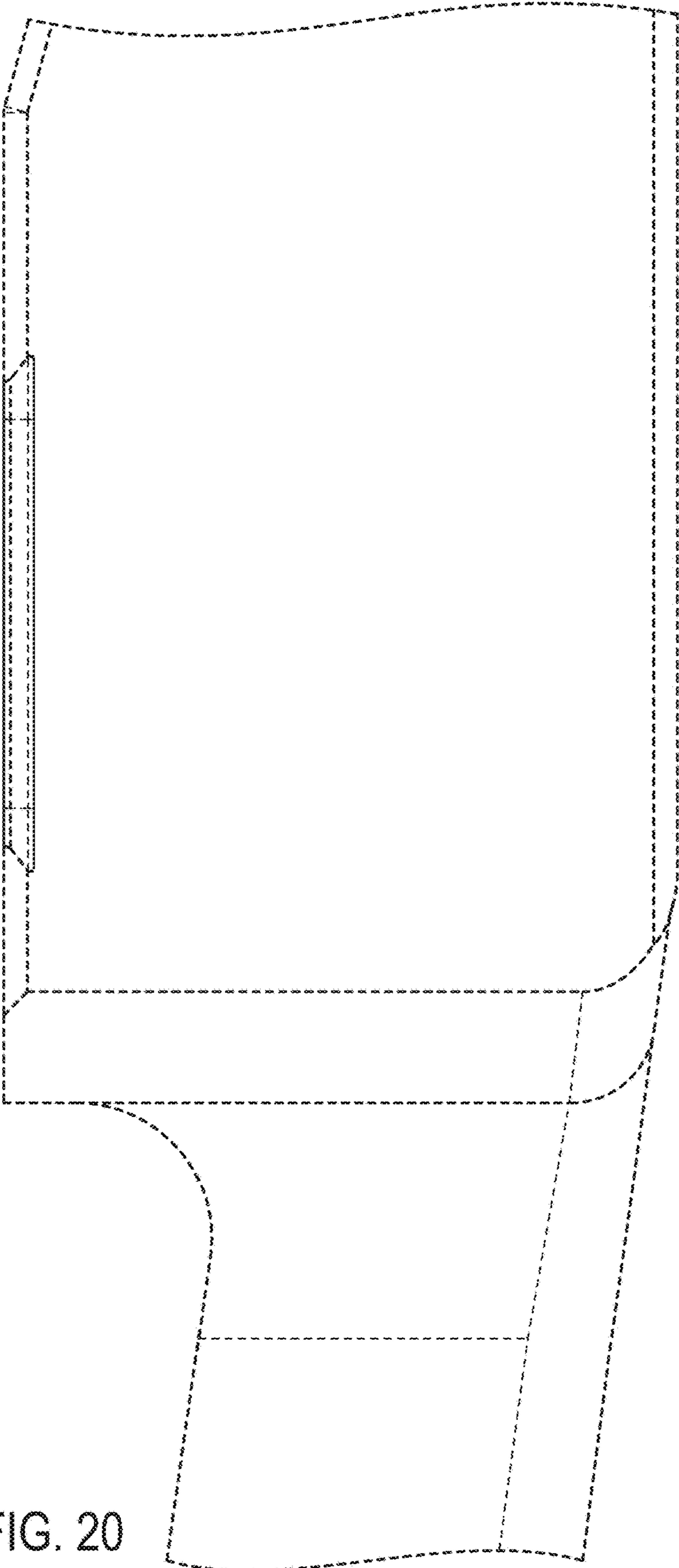


FIG. 20

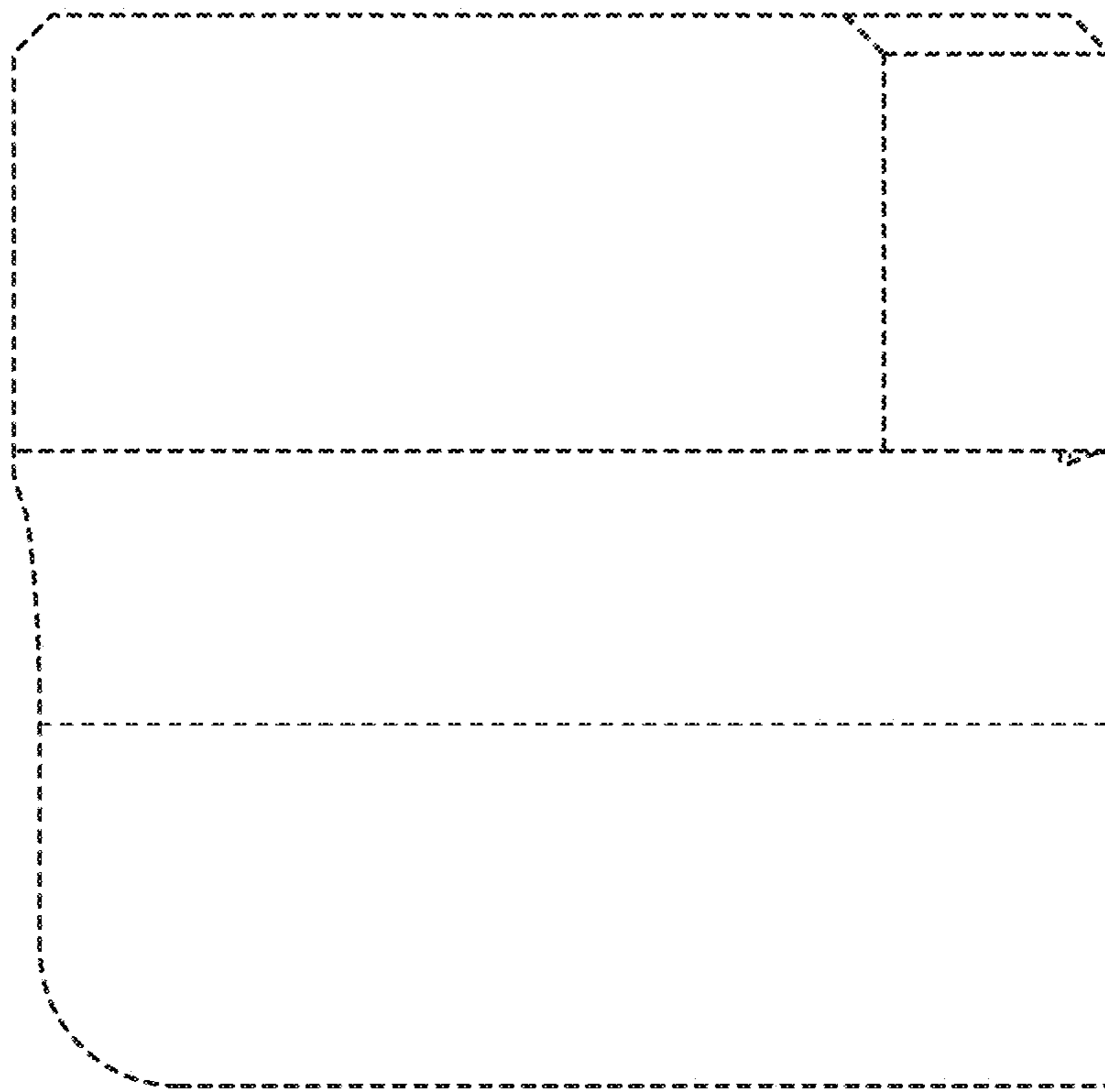


FIG. 21

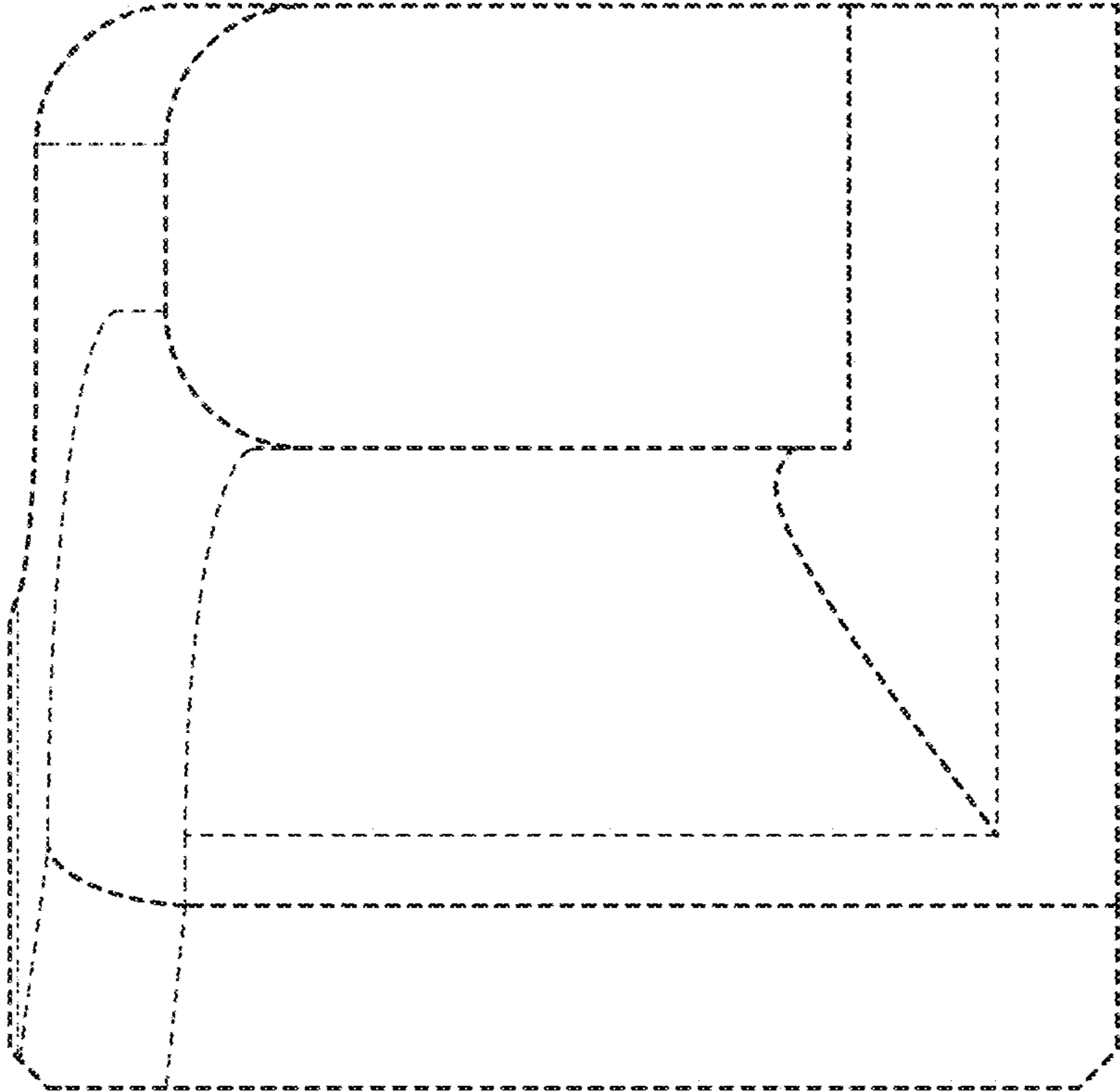


FIG. 22

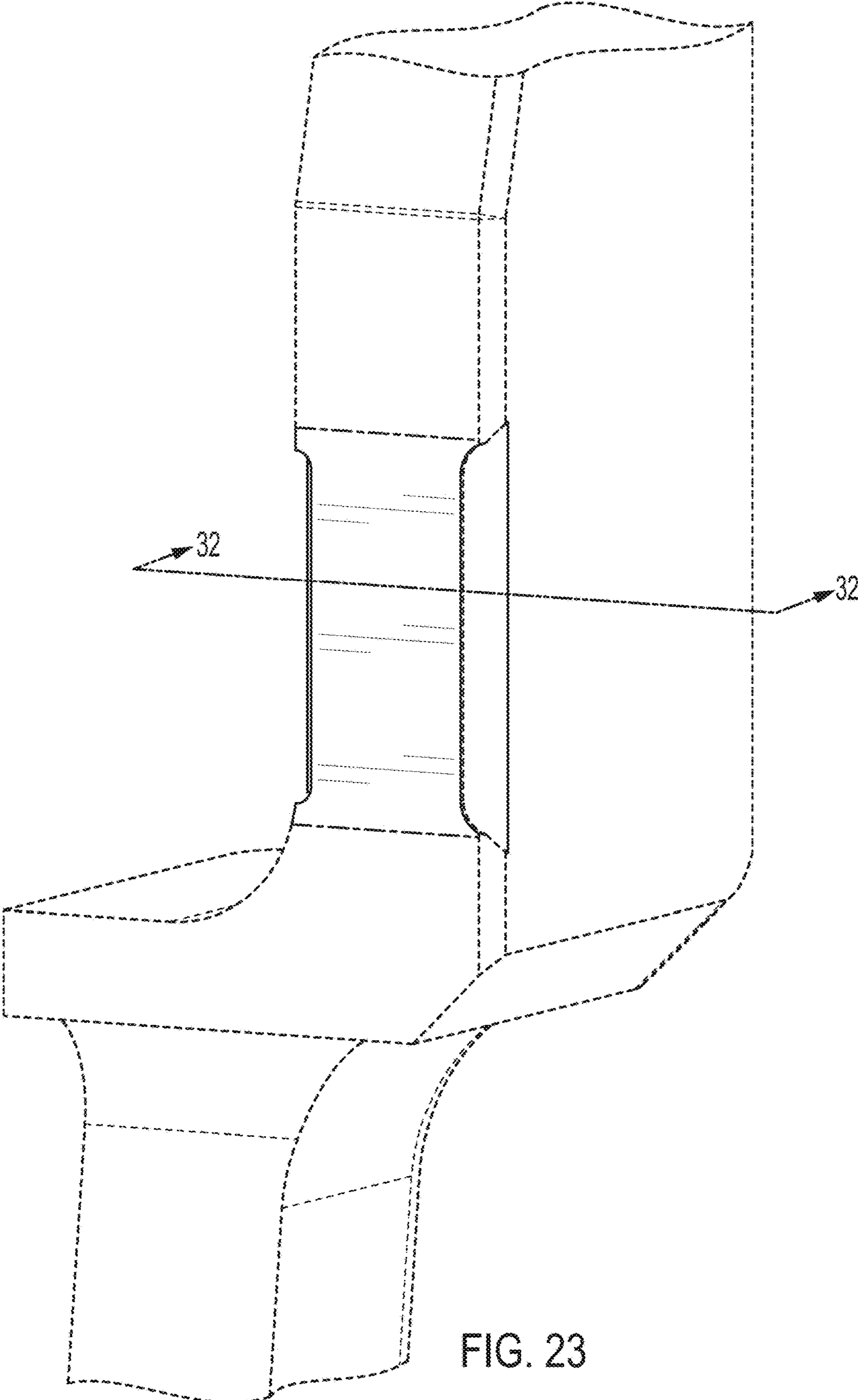
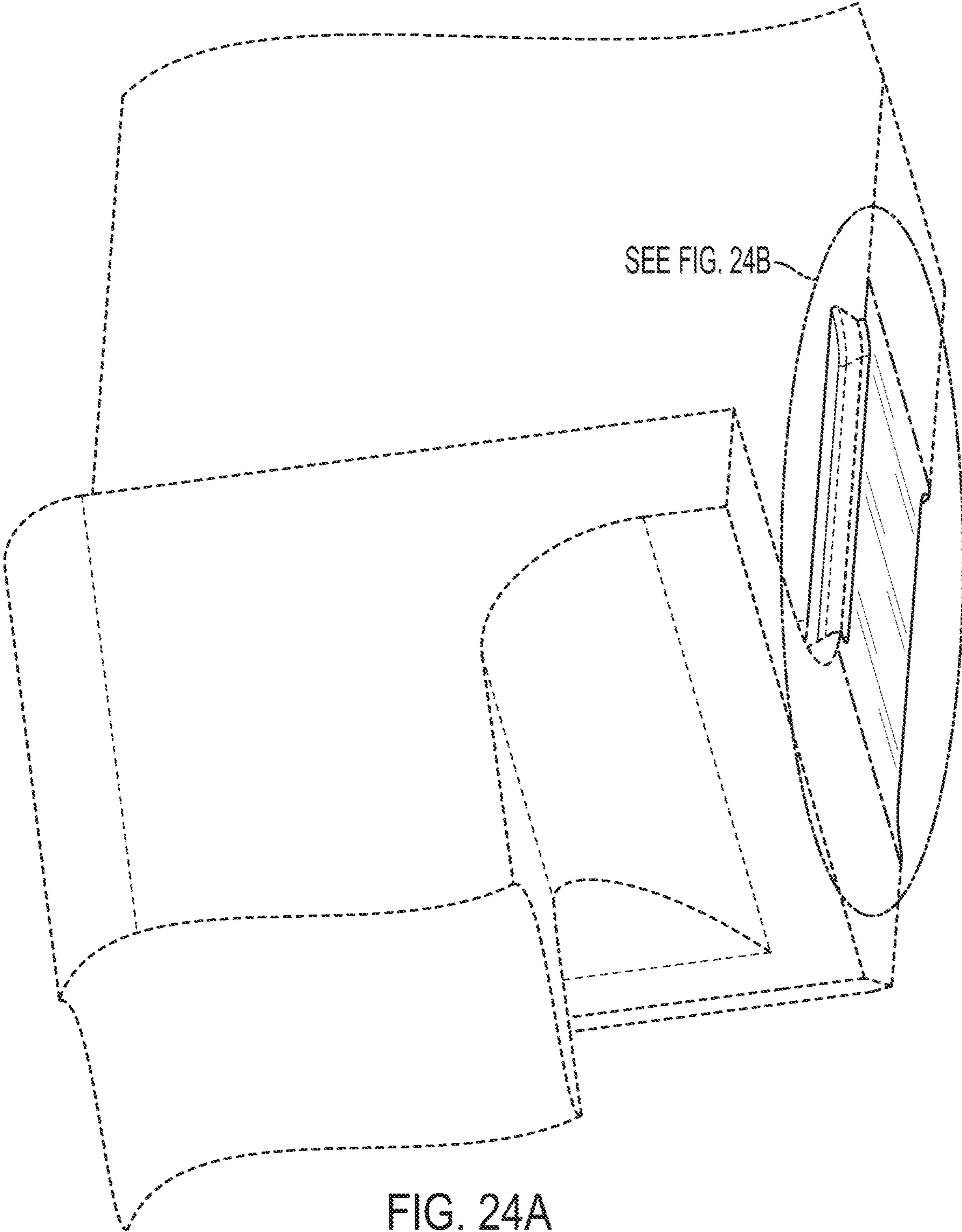


FIG. 23



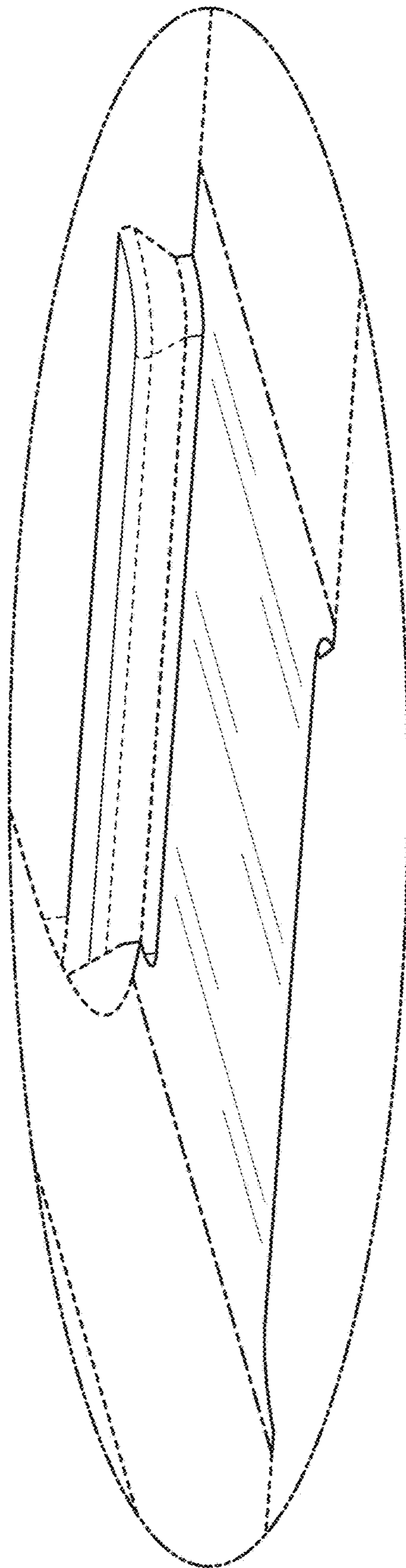
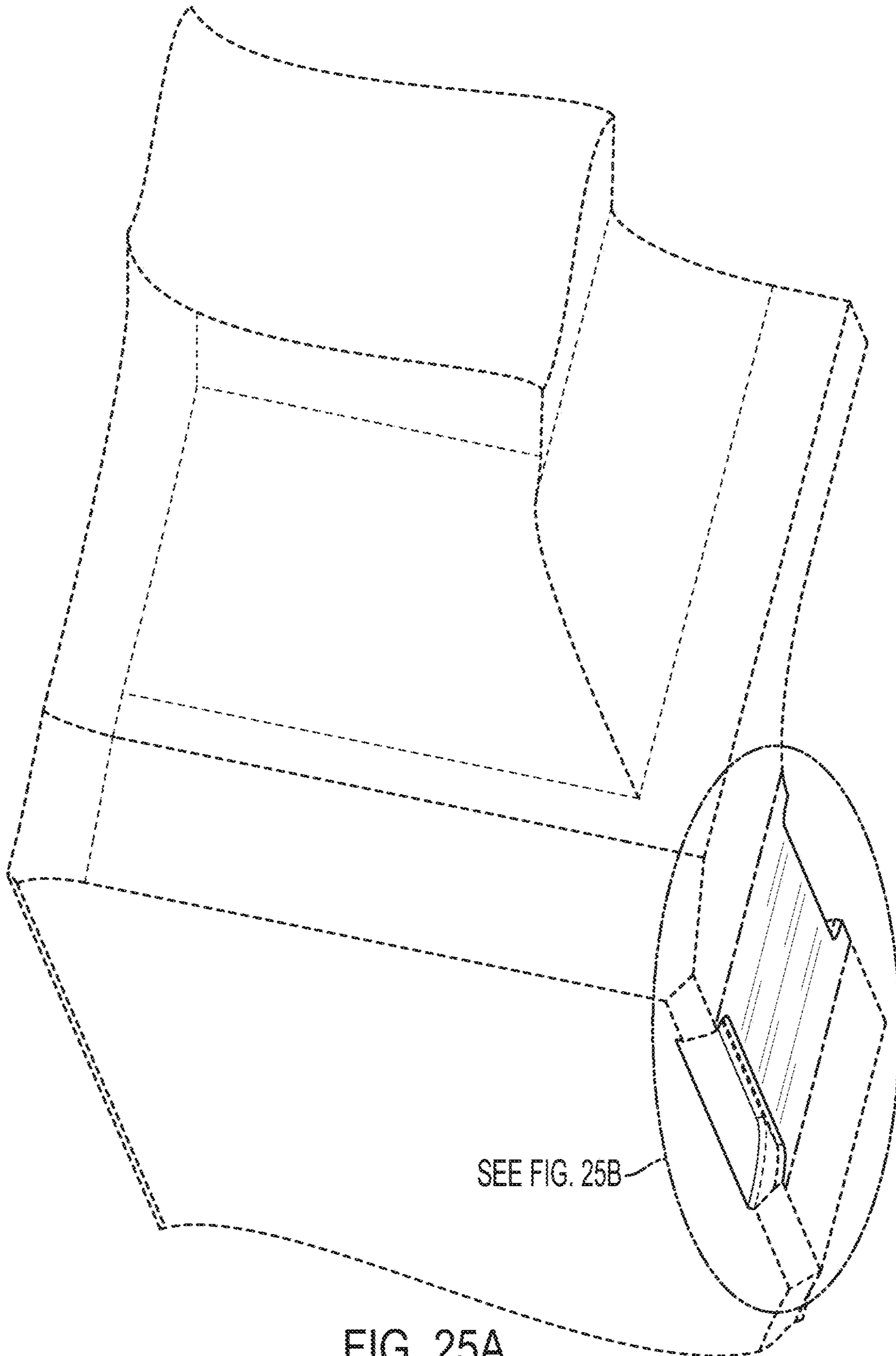


FIG. 24B



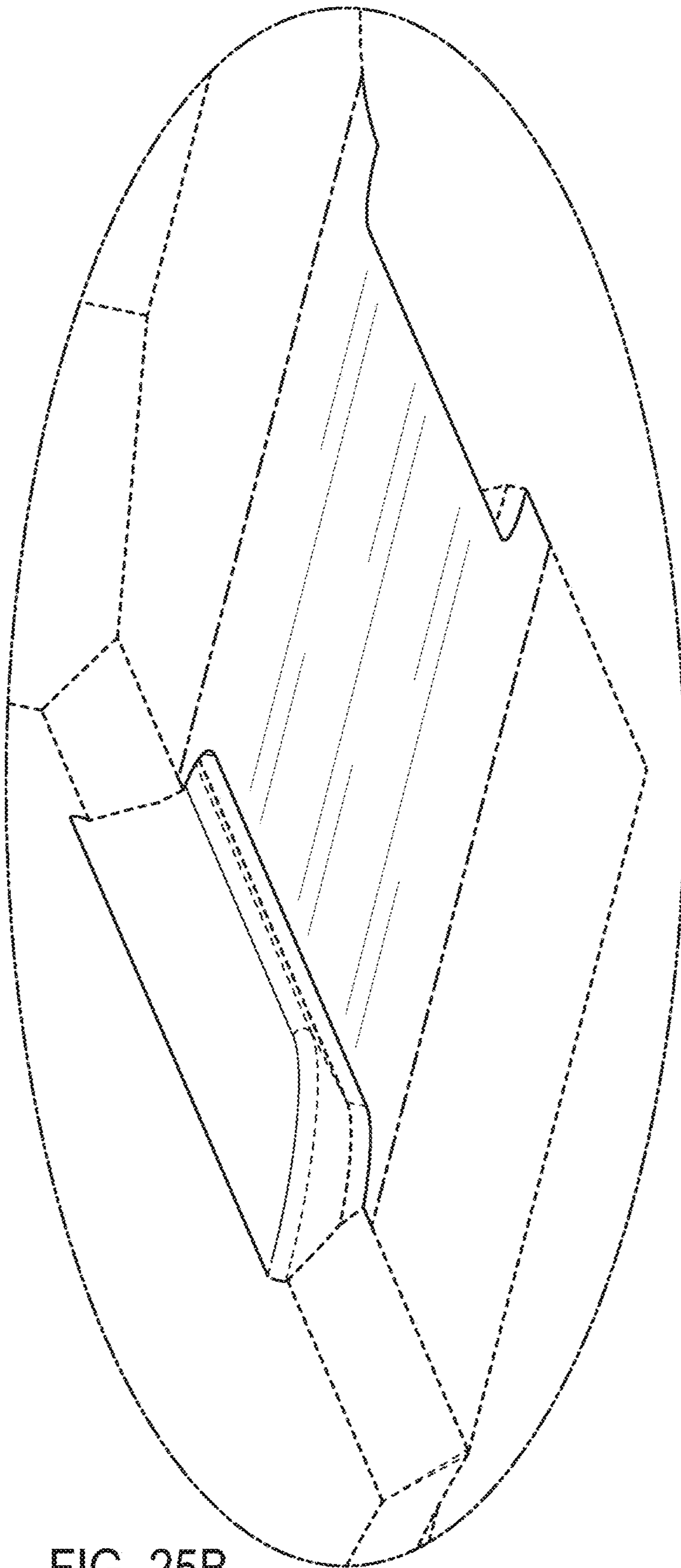


FIG. 25B

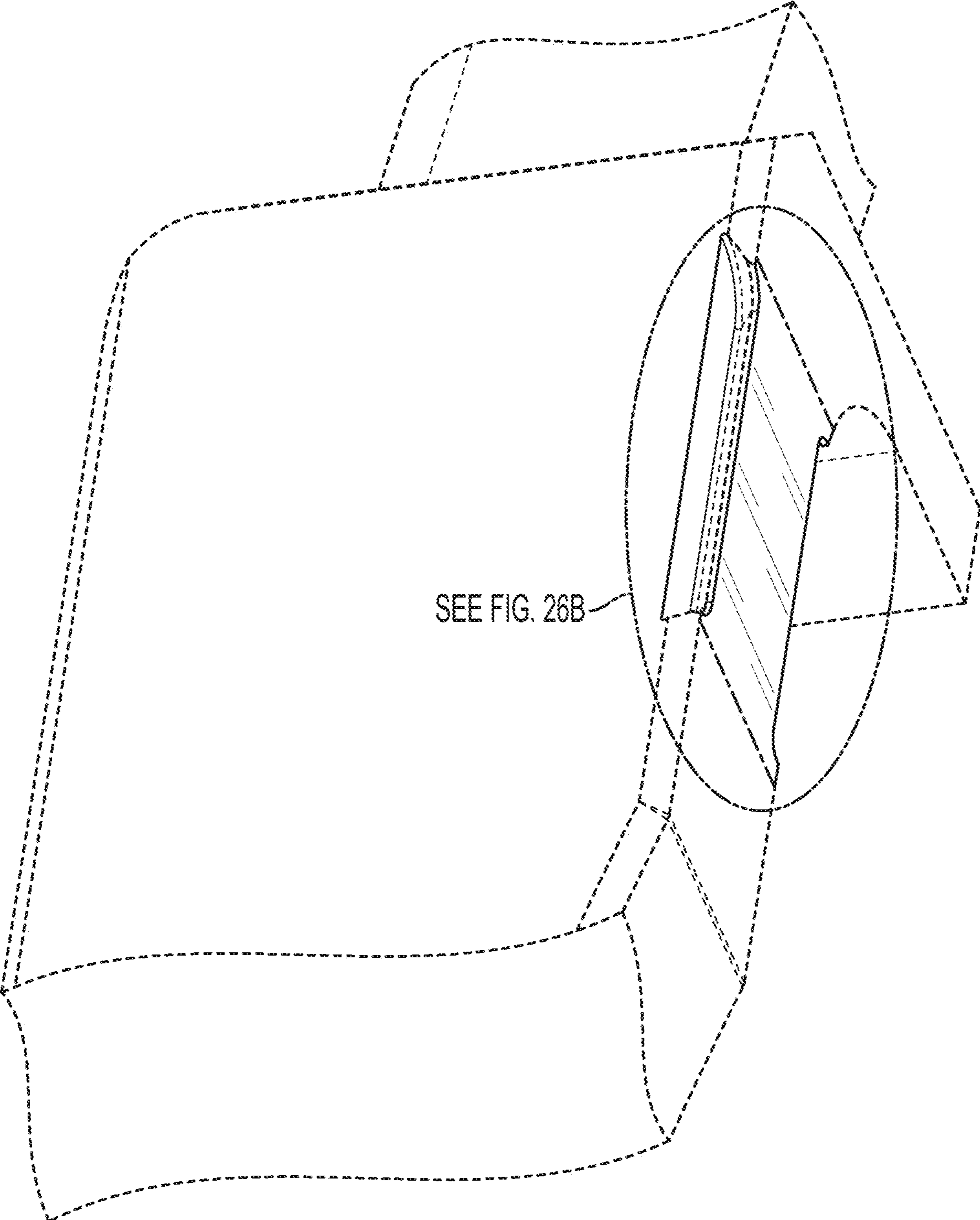


FIG. 26A

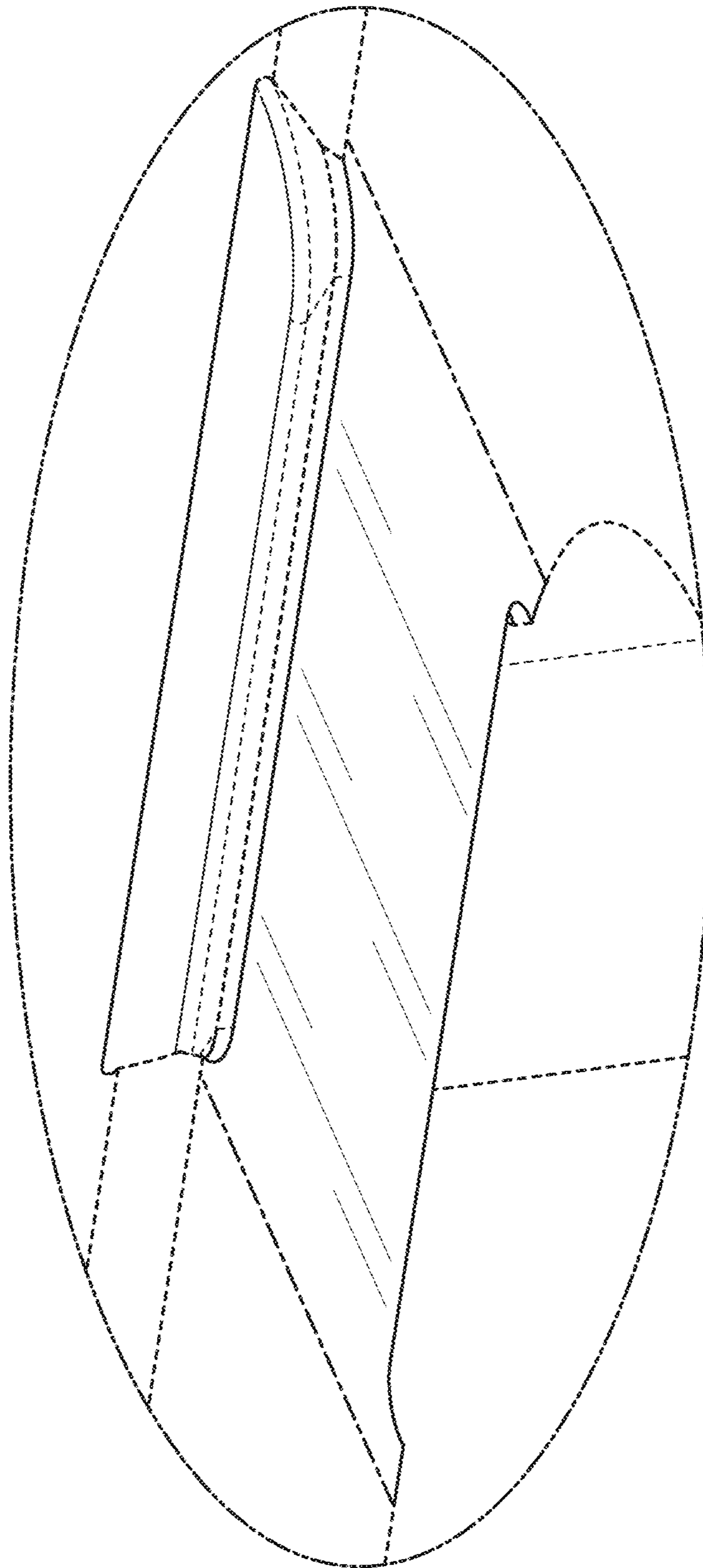


FIG. 26B

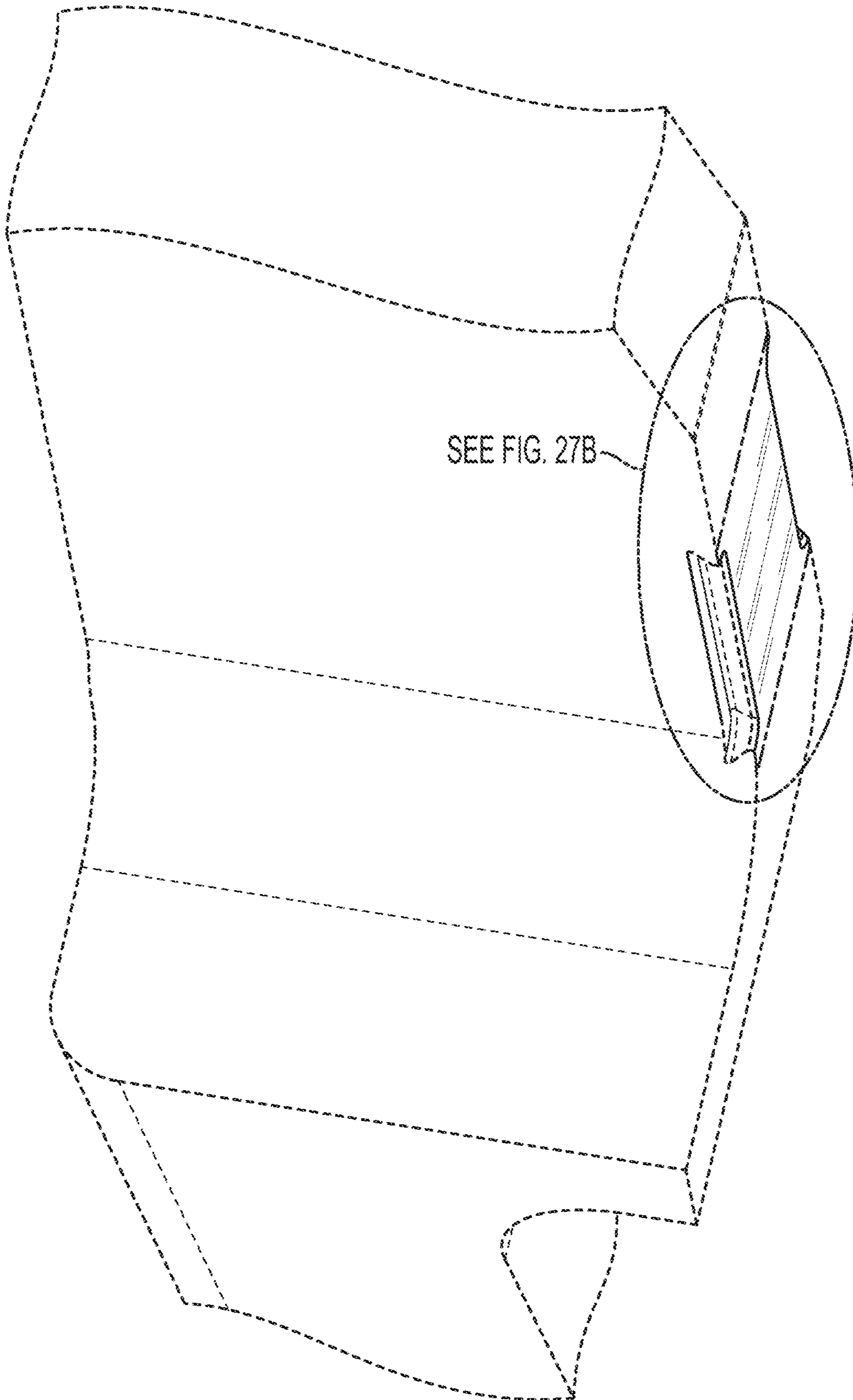


FIG. 27A

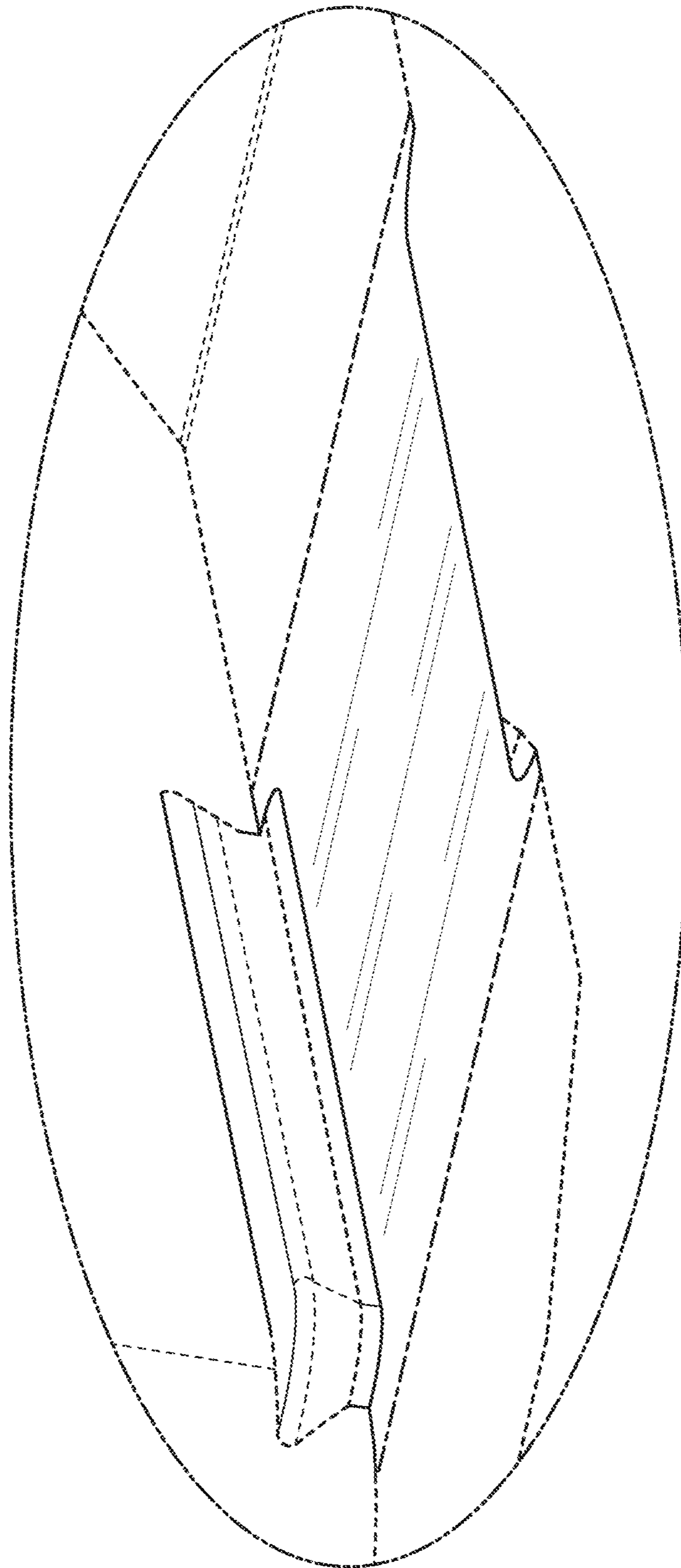


FIG. 27B

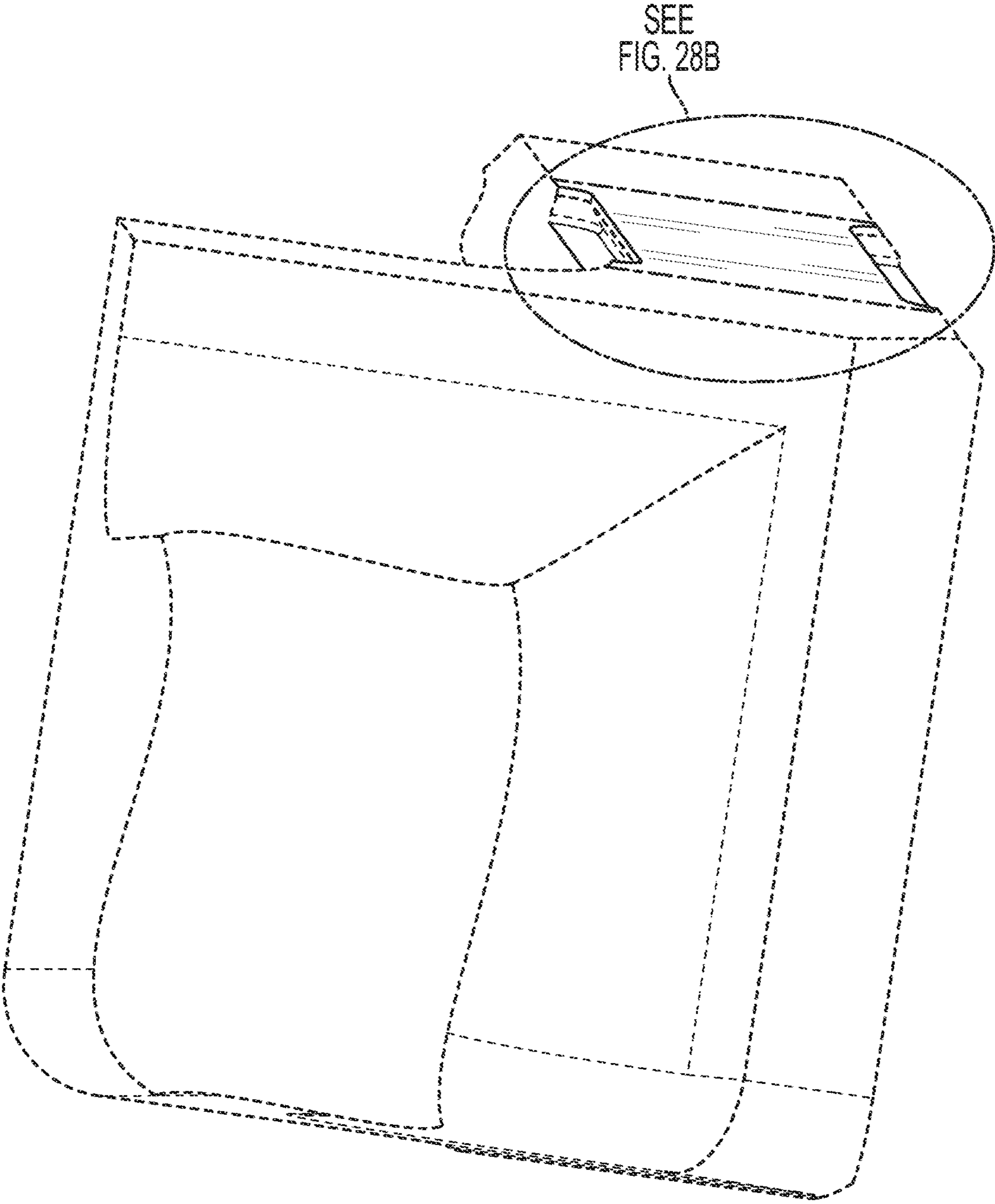


FIG. 28A

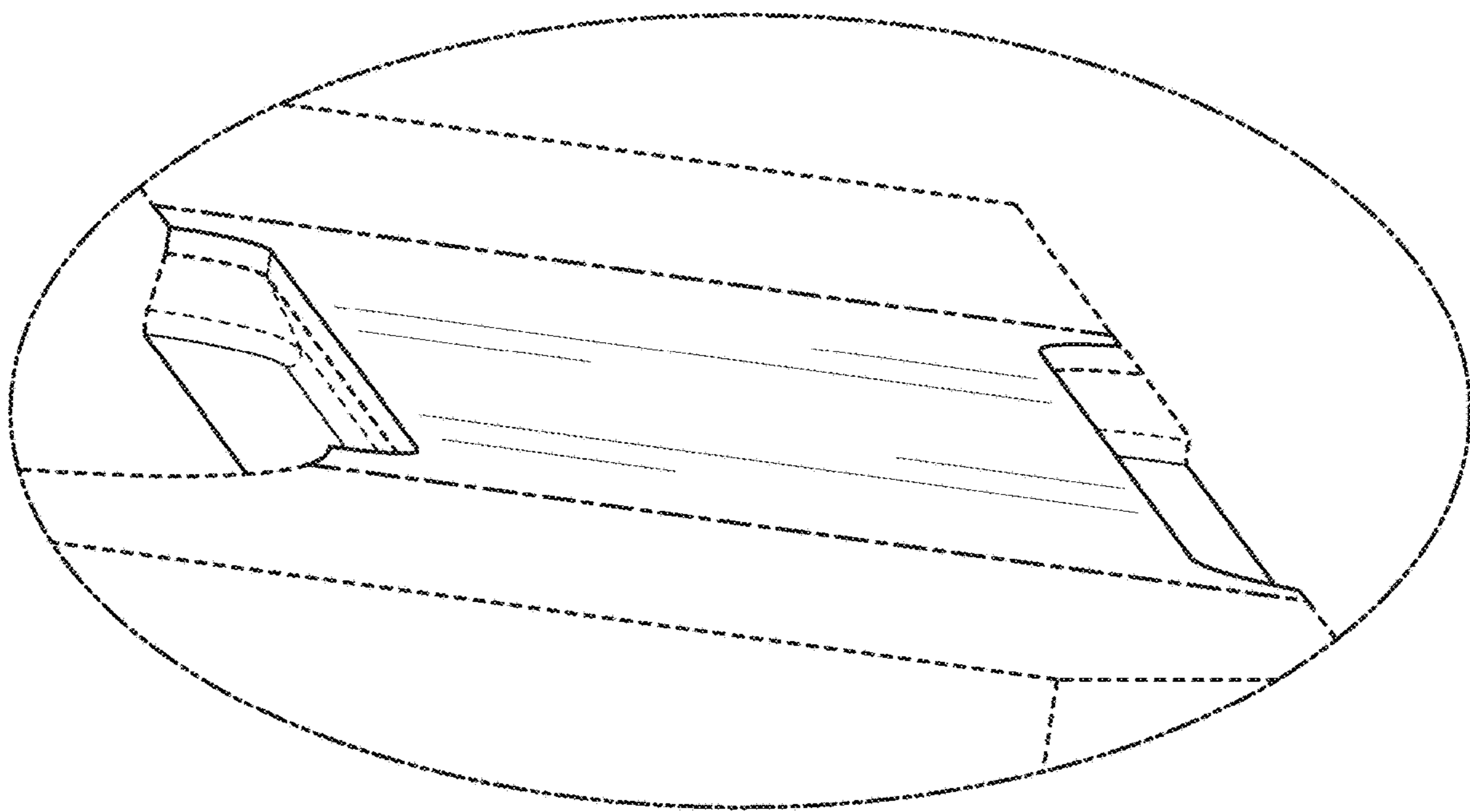


FIG. 28B

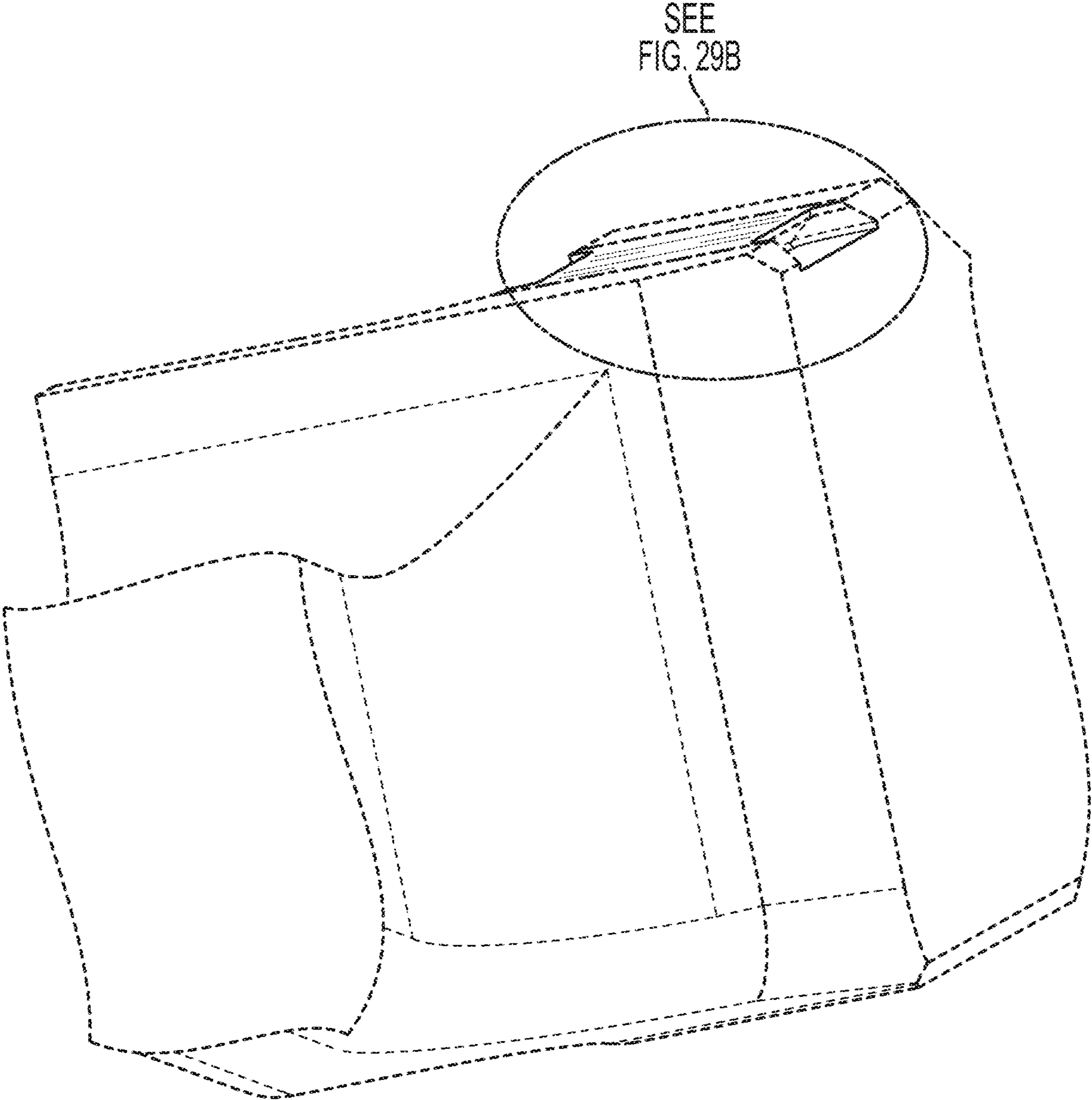


FIG. 29A

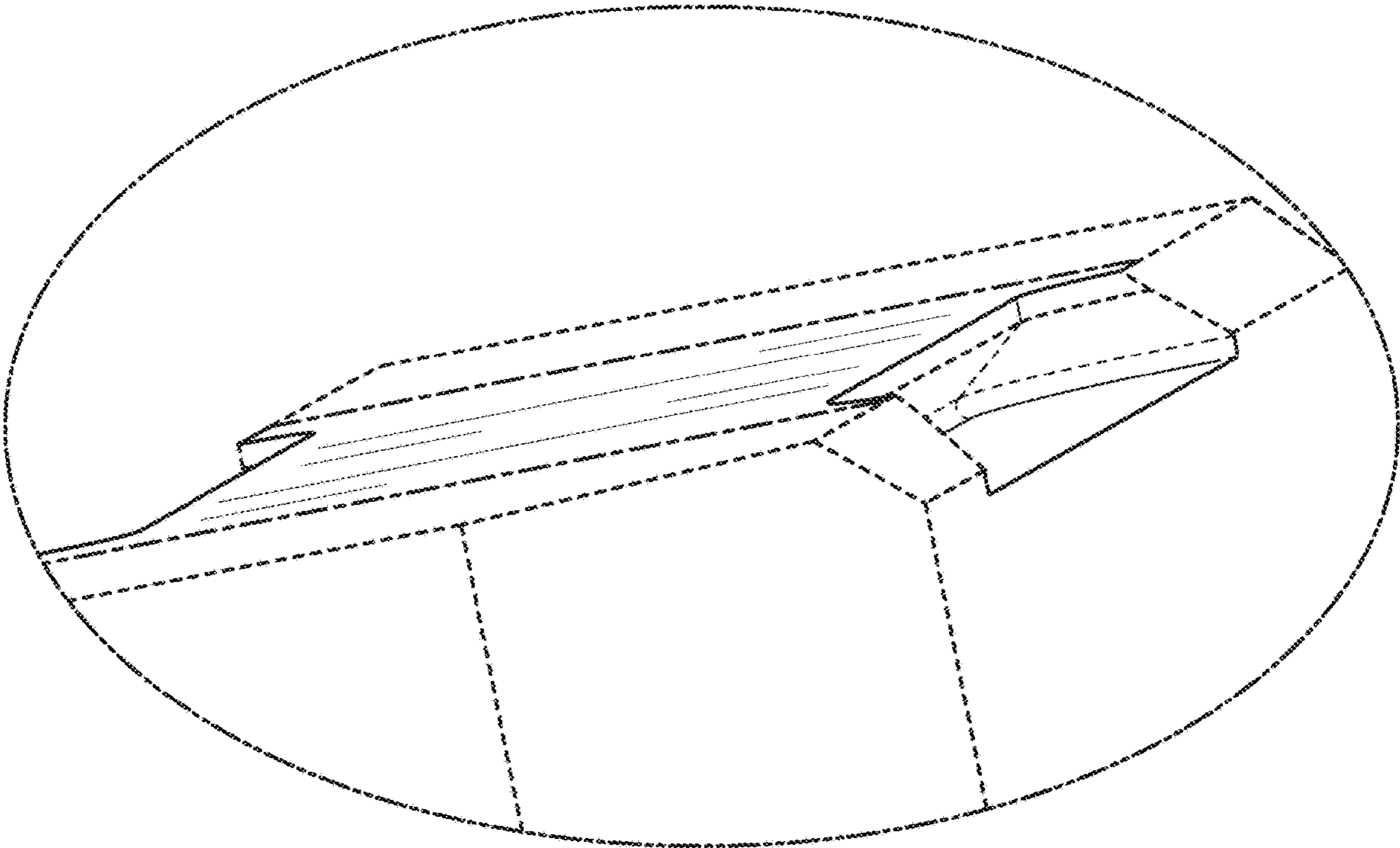


FIG. 29B

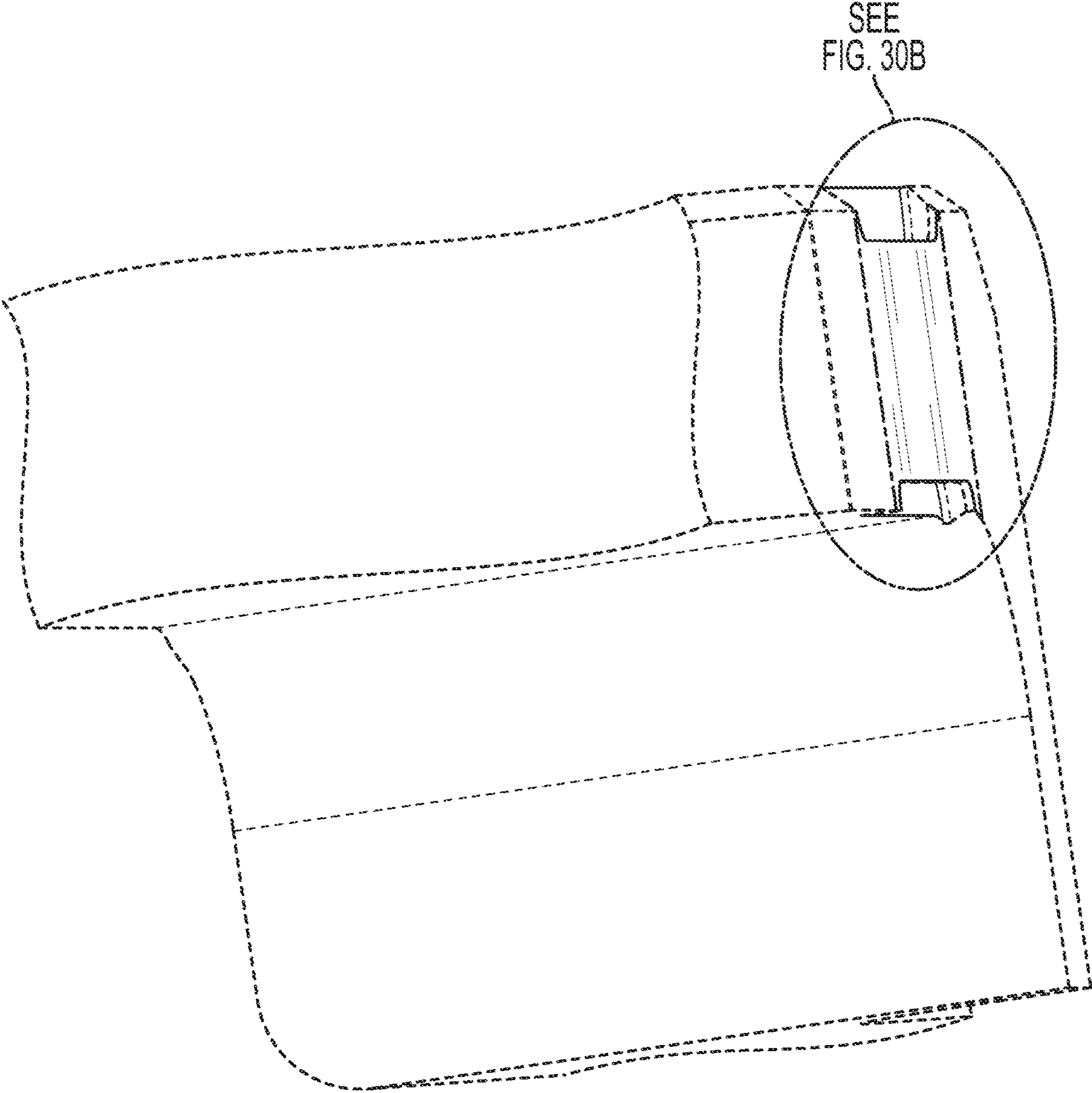


FIG. 30A

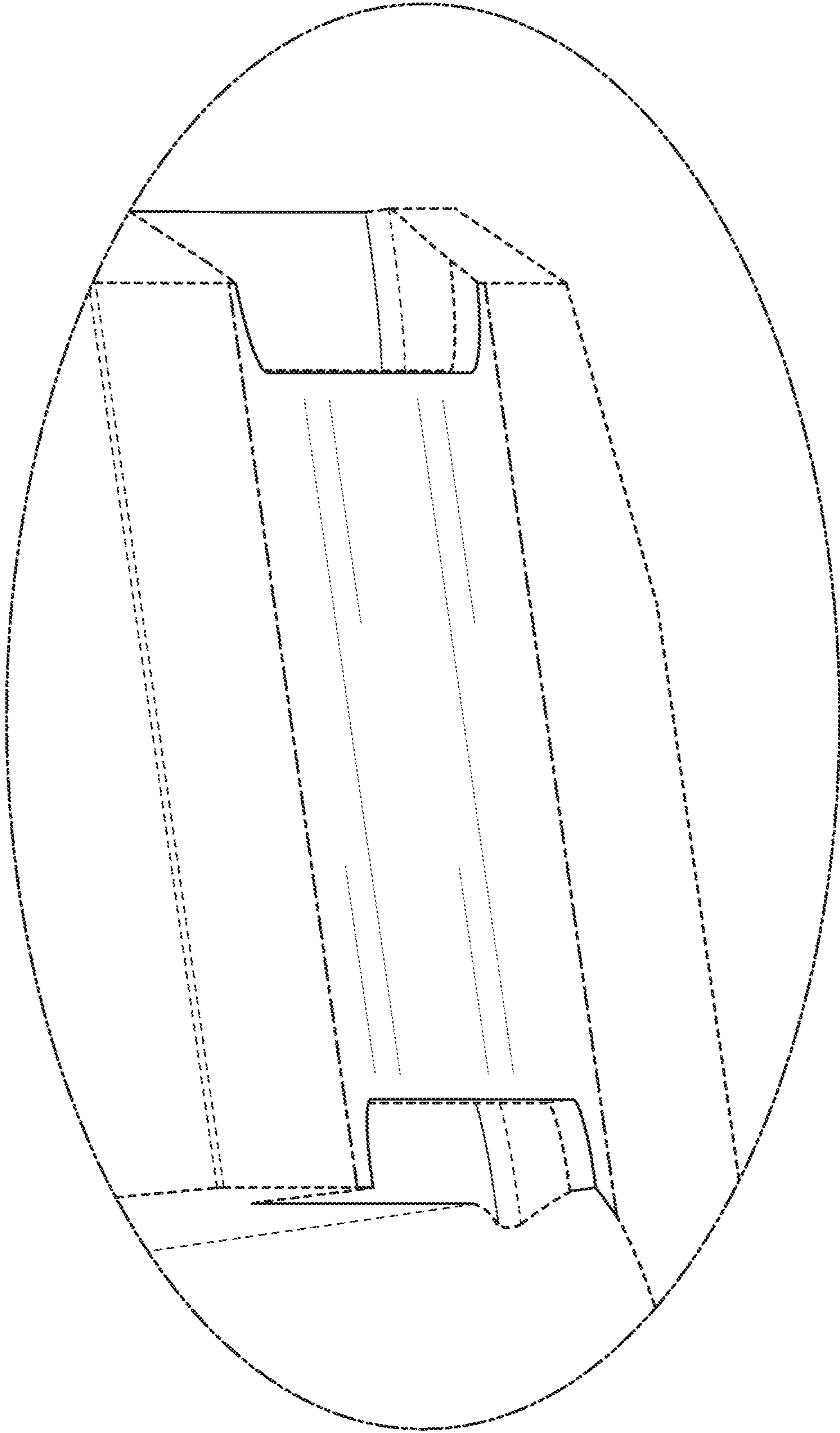


FIG. 30B

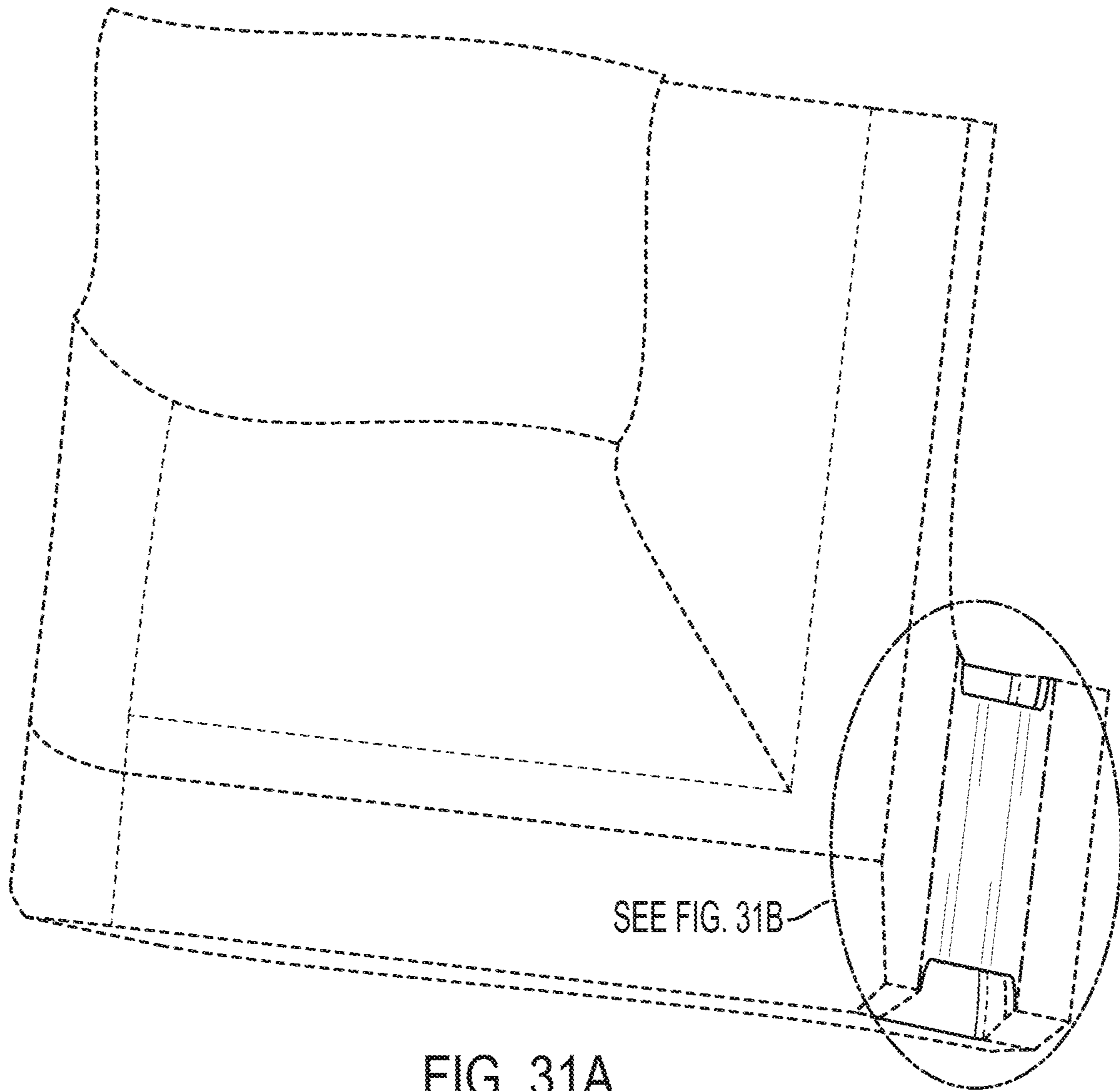


FIG. 31A

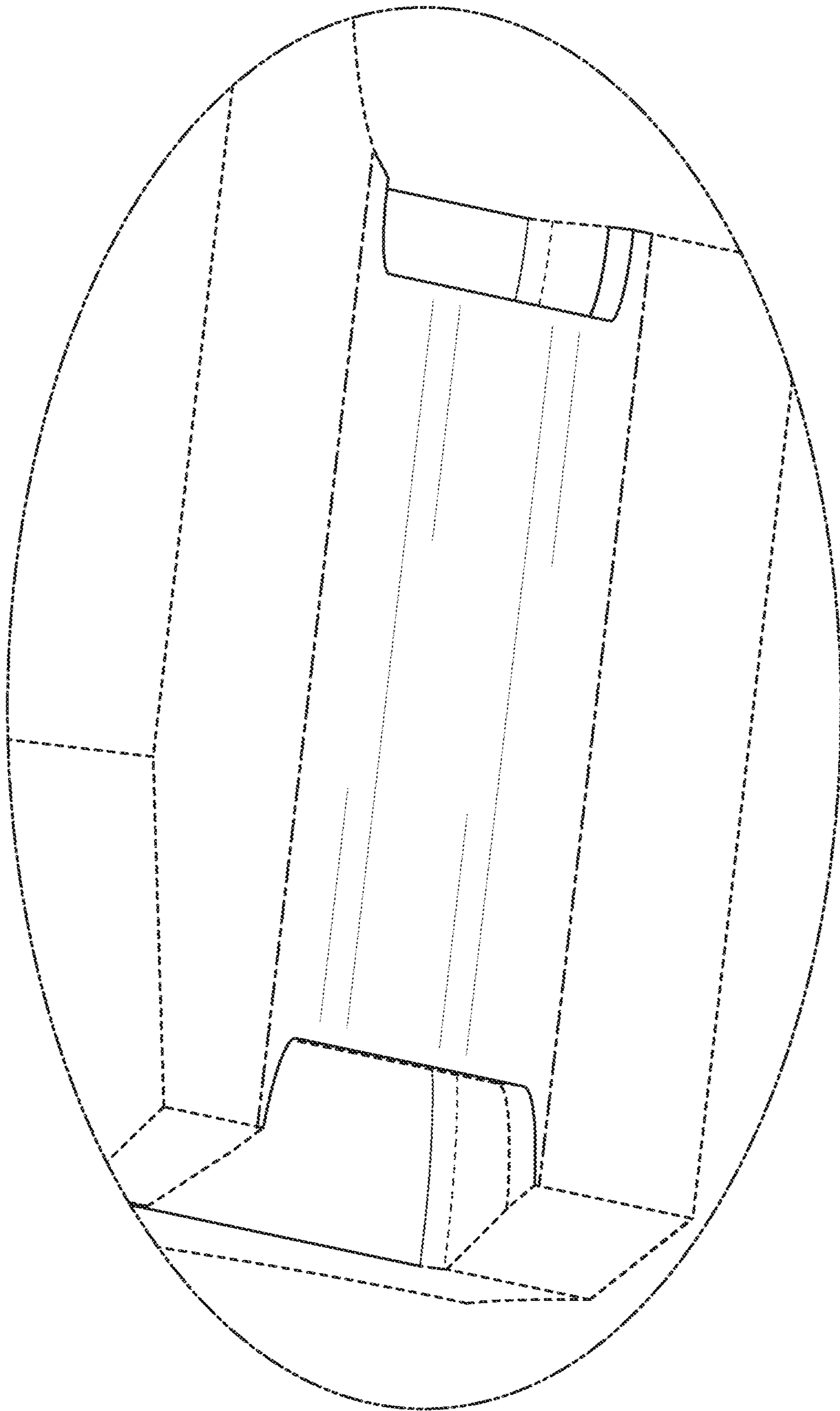


FIG. 31B

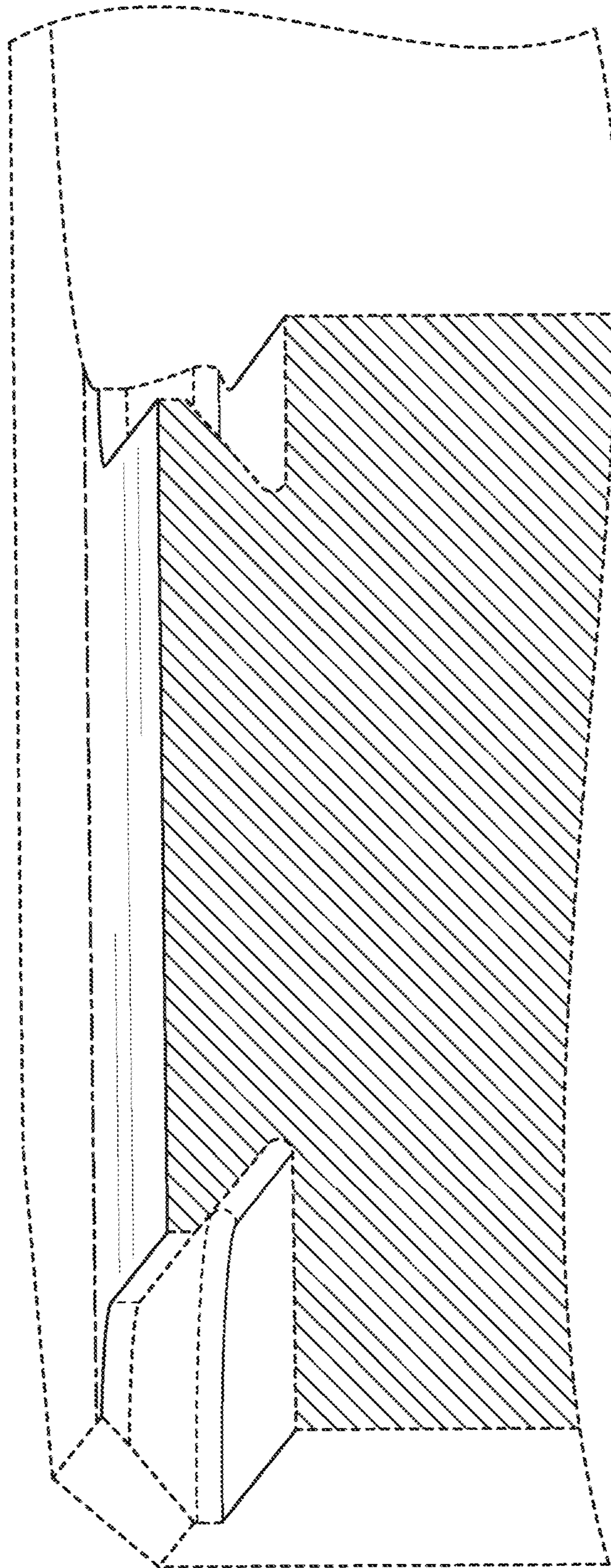


FIG. 32