



US00D932578S

(12) **United States Design Patent**
Zhu

(10) **Patent No.:** **US D932,578 S**

(45) **Date of Patent:** **** Oct. 5, 2021**

(54) **FLOATING CHAIR**

(71) Applicant: **Shangming Zhu**, Qiandongnan Miao (CN)

(72) Inventor: **Shangming Zhu**, Qiandongnan Miao (CN)

(**) Term: **15 Years**

(21) Appl. No.: **29/746,984**

(22) Filed: **Aug. 19, 2020**

(51) **LOC (13) Cl.** **21-02**

(52) **U.S. Cl.**
USPC **D21/803**

(58) **Field of Classification Search**
USPC D21/801, 803, 808, 809; D6/380, 595, D6/596, 597, 598, 601
CPC B63B 32/20; B63B 32/22; B63B 32/51; B63B 32/54; B63B 35/58; B63B 35/607; B63B 35/613; B63B 35/62
See application file for complete search history.

(56) **References Cited**

U.S. PATENT DOCUMENTS

D315,592 S	*	3/1991	Tager	D21/803
D340,495 S	*	10/1993	Mitch	D21/803
D393,038 S	*	3/1998	Peterson	D21/803
D393,680 S	*	4/1998	Peterson	D21/809

D476,712 S	*	7/2003	Peterson	D21/803
D725,209 S	*	3/2015	Wampold	D21/803
D813,997 S	*	3/2018	McGuire	D23/296
D846,678 S	*	4/2019	Arias	D21/803
D864,330 S	*	10/2019	Dufault	D21/803
D897,473 S	*	9/2020	de Grasse	D21/803
D913,398 S	*	3/2021	Joseph	D21/803

* cited by examiner

Primary Examiner — Zenia I Bennett

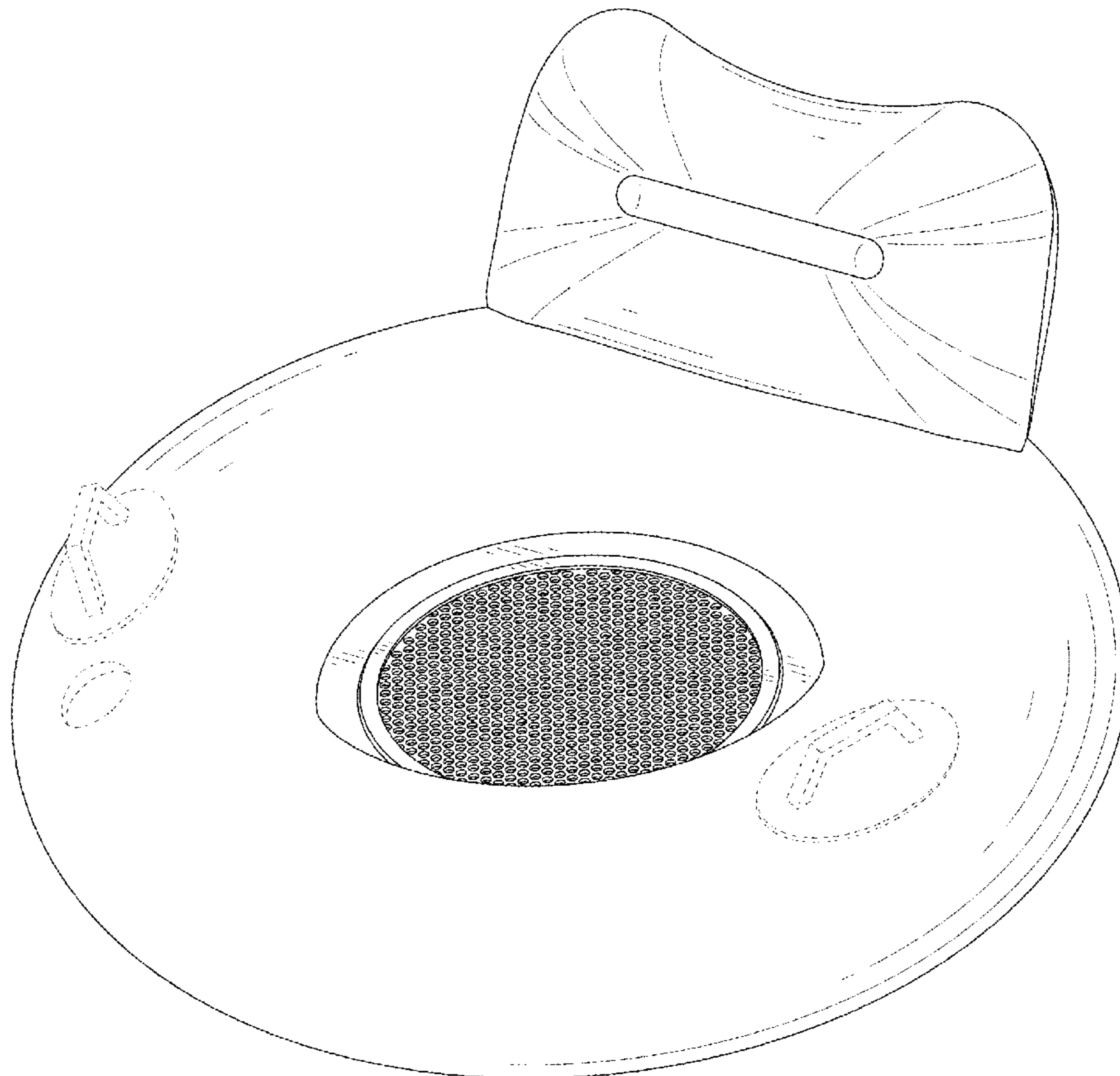
(57) **CLAIM**

The ornamental design for a floating chair, as shown and described.

DESCRIPTION

FIG. 1 is a perspective view of a floating chair showing my new design;
FIG. 2 is another perspective view thereof;
FIG. 3 is a front elevational view thereof;
FIG. 4 is a rear elevational view thereof;
FIG. 5 is a left side elevational view thereof;
FIG. 6 is a right side elevational view thereof;
FIG. 7 is a top plan view thereof; and,
FIG. 8 is a bottom plan view thereof.
The broken lines in the drawings depict portions of the floating chair that form no part of the claimed design.

1 Claim, 8 Drawing Sheets



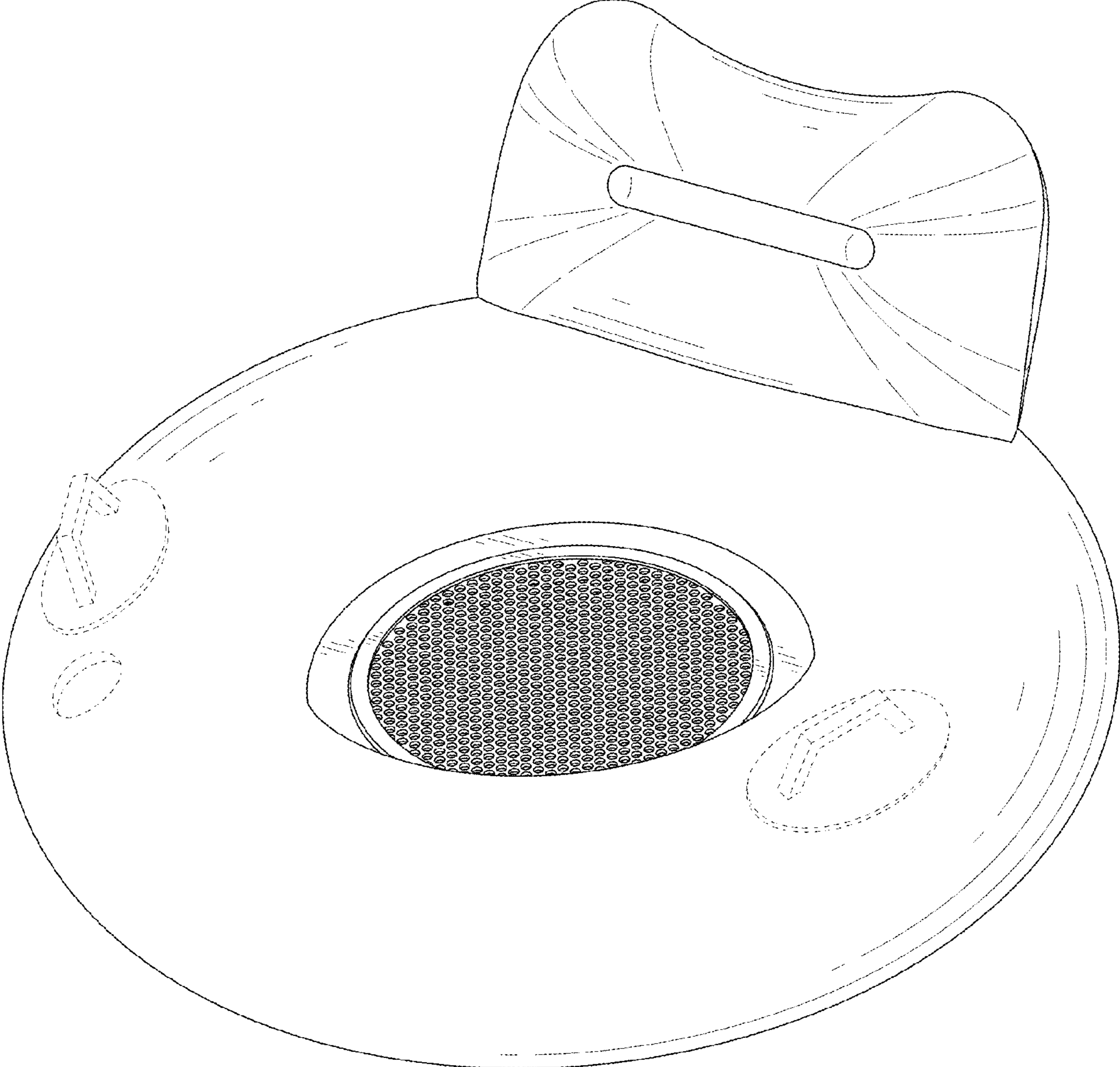


FIG. 1

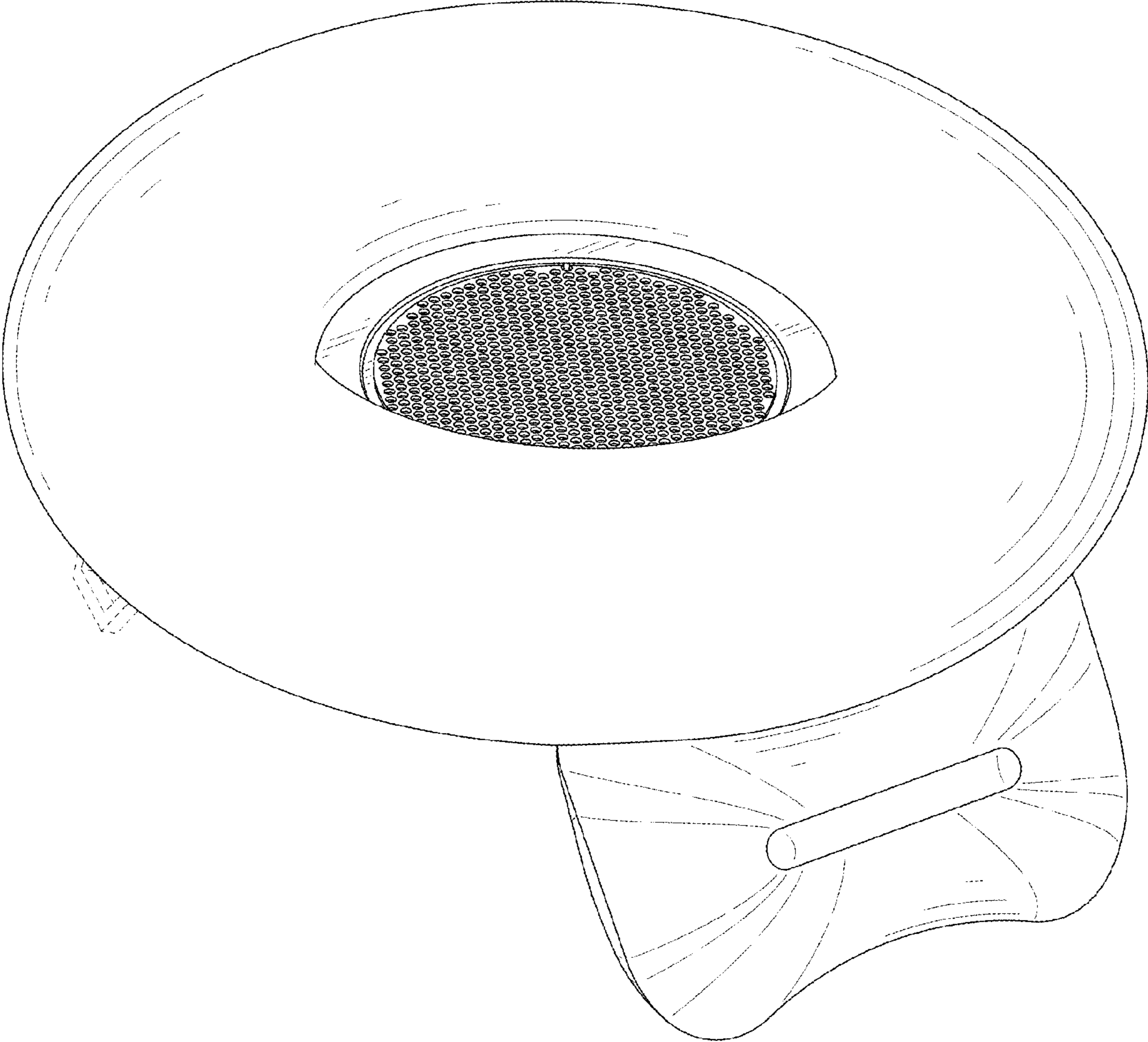


FIG. 2

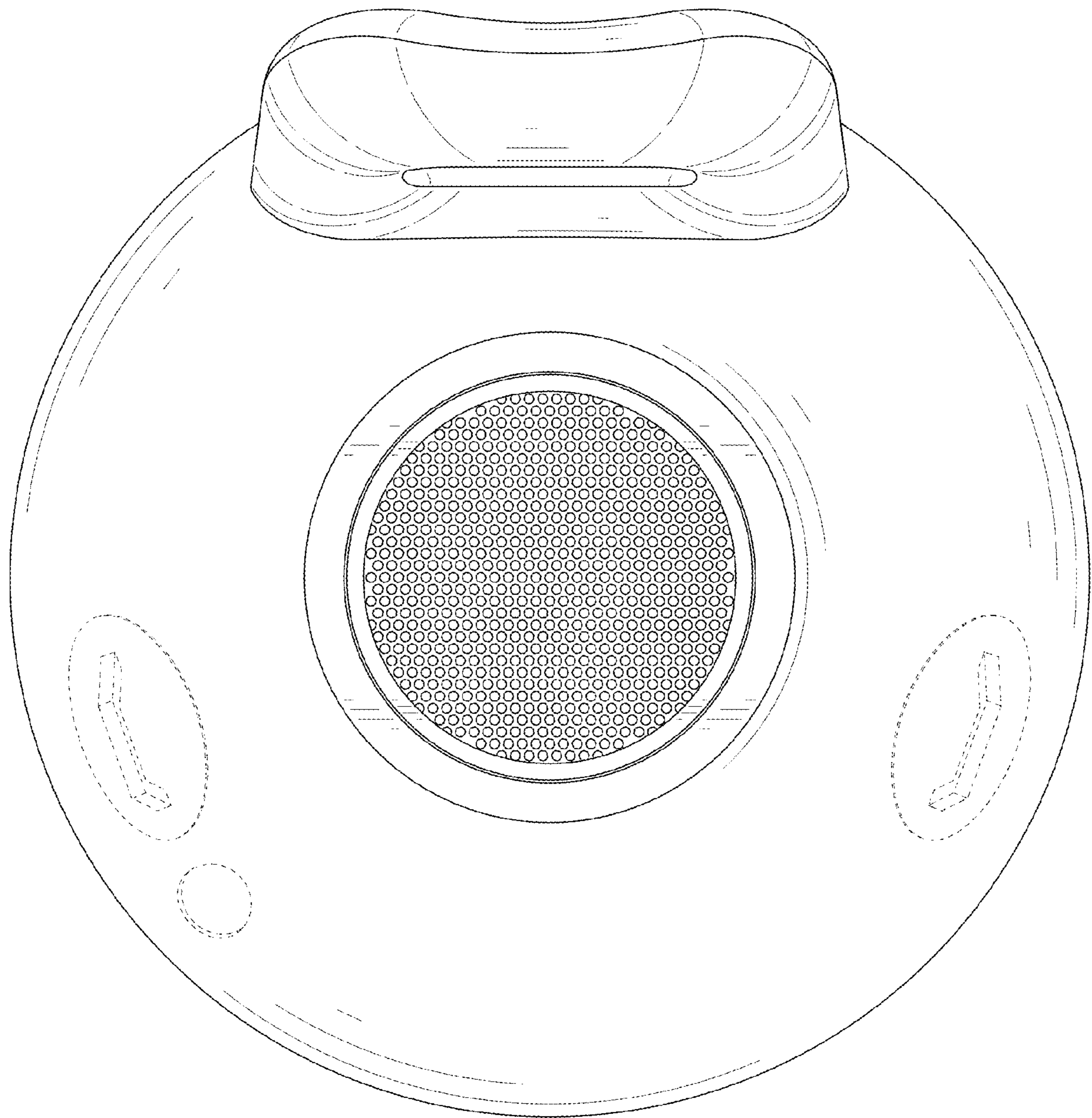


FIG. 3

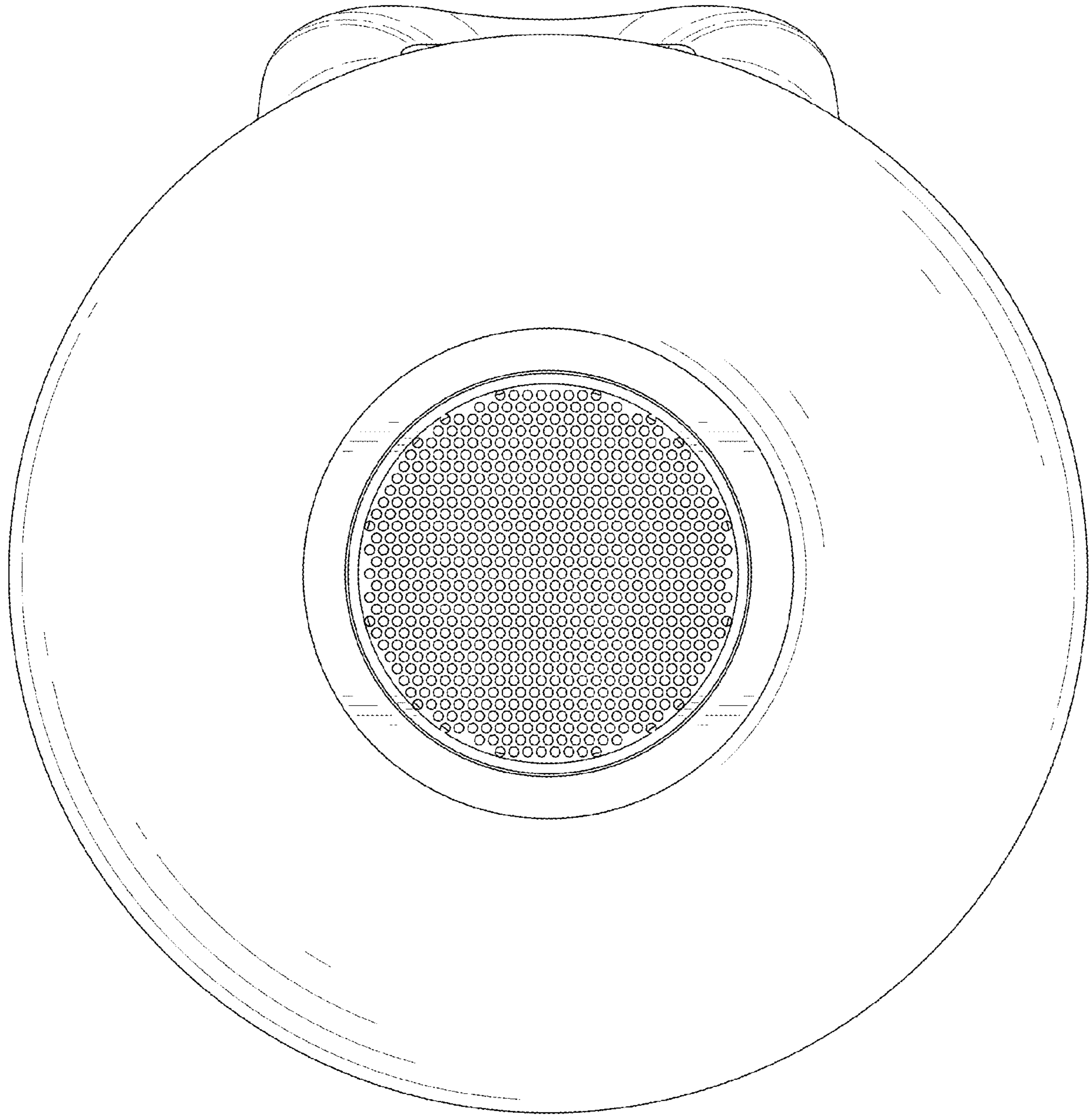


FIG. 4

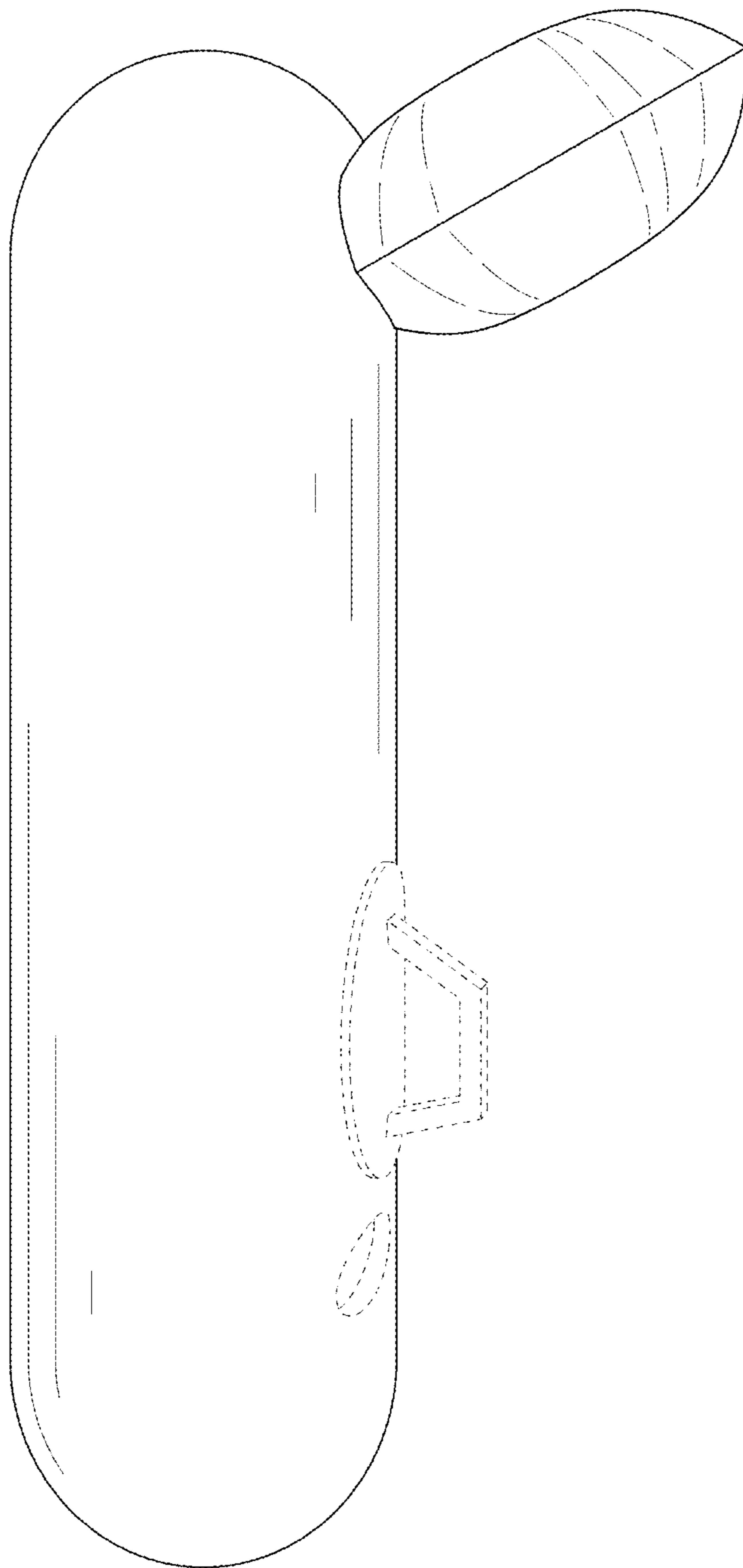


FIG. 5

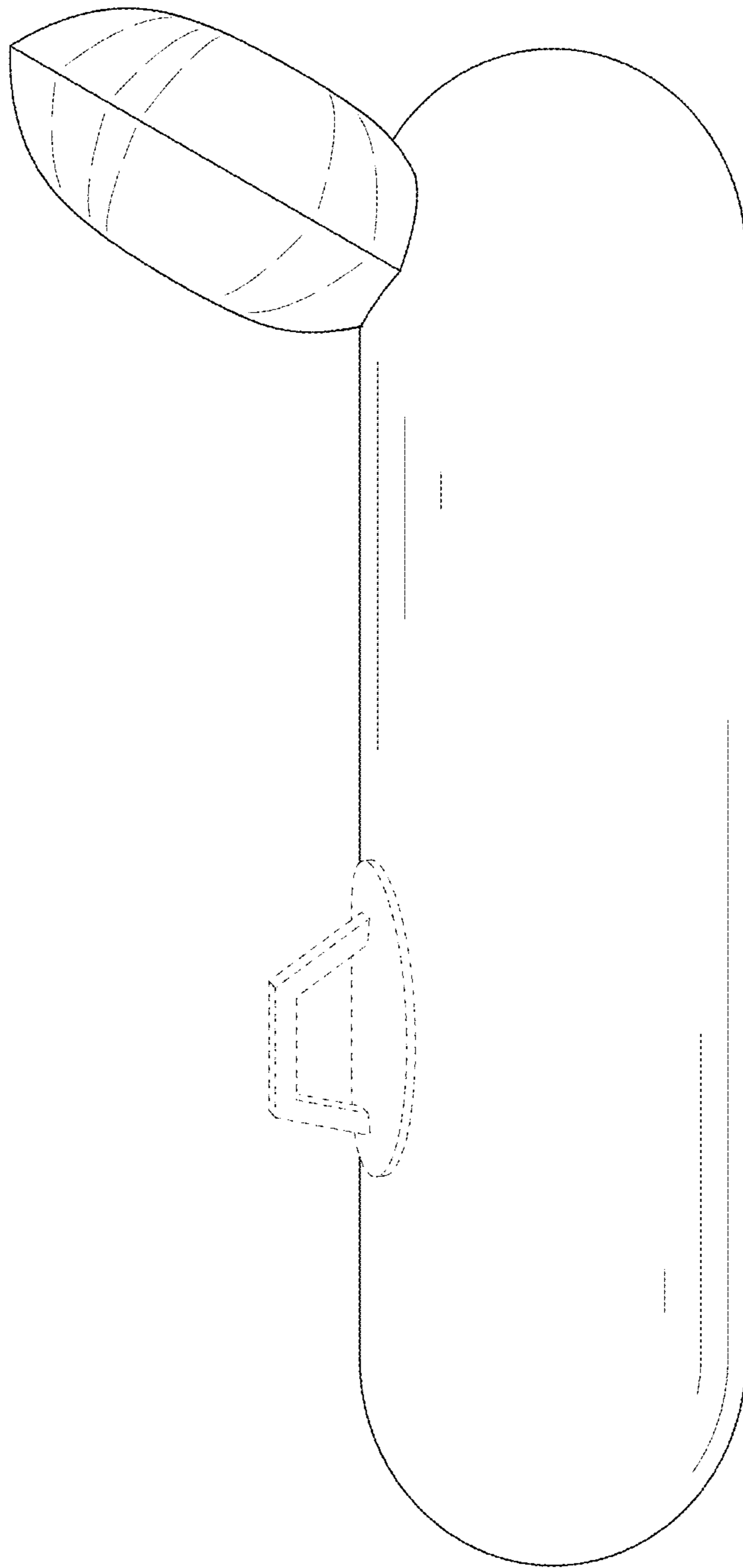


FIG. 6

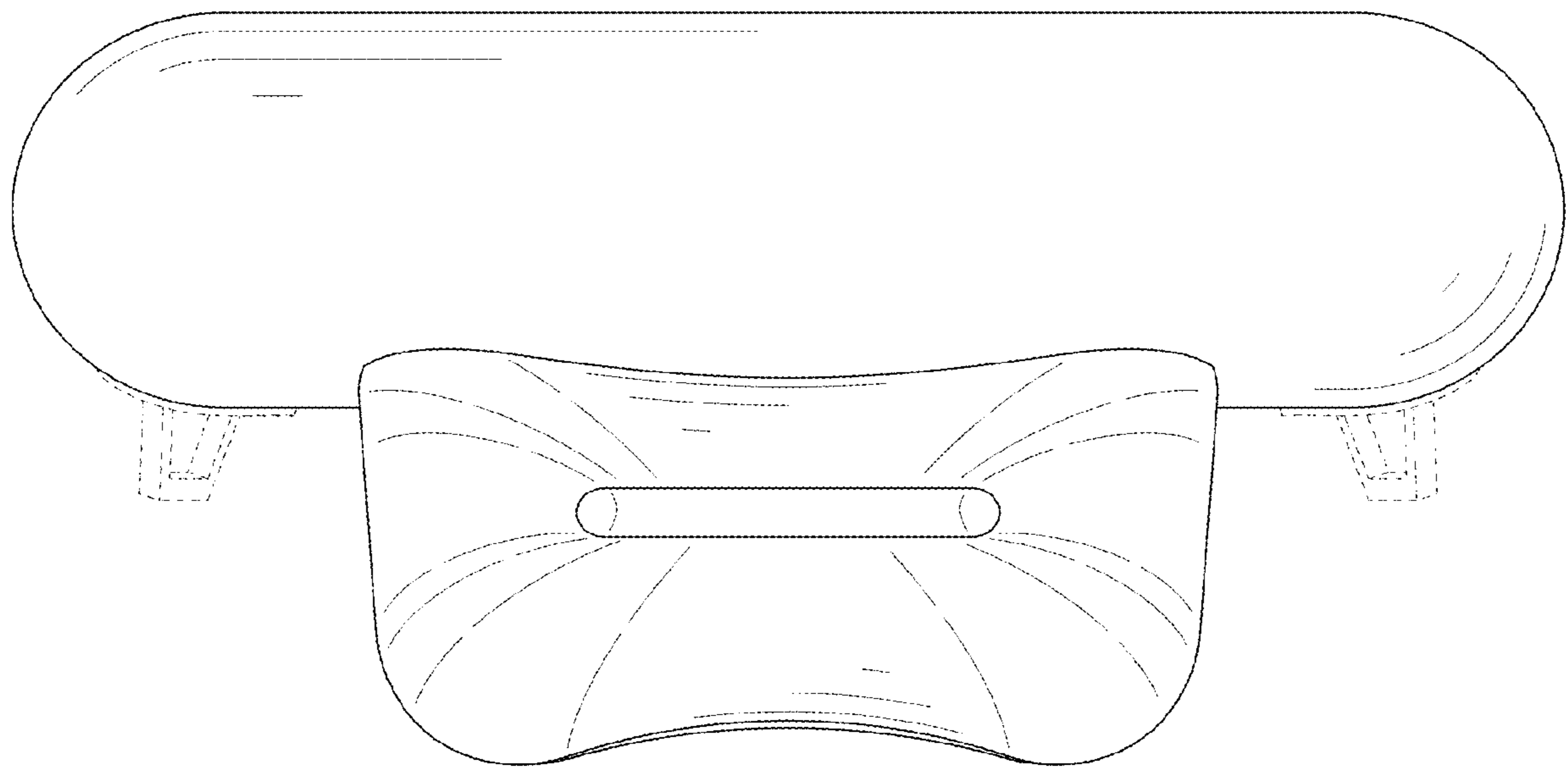


FIG. 7

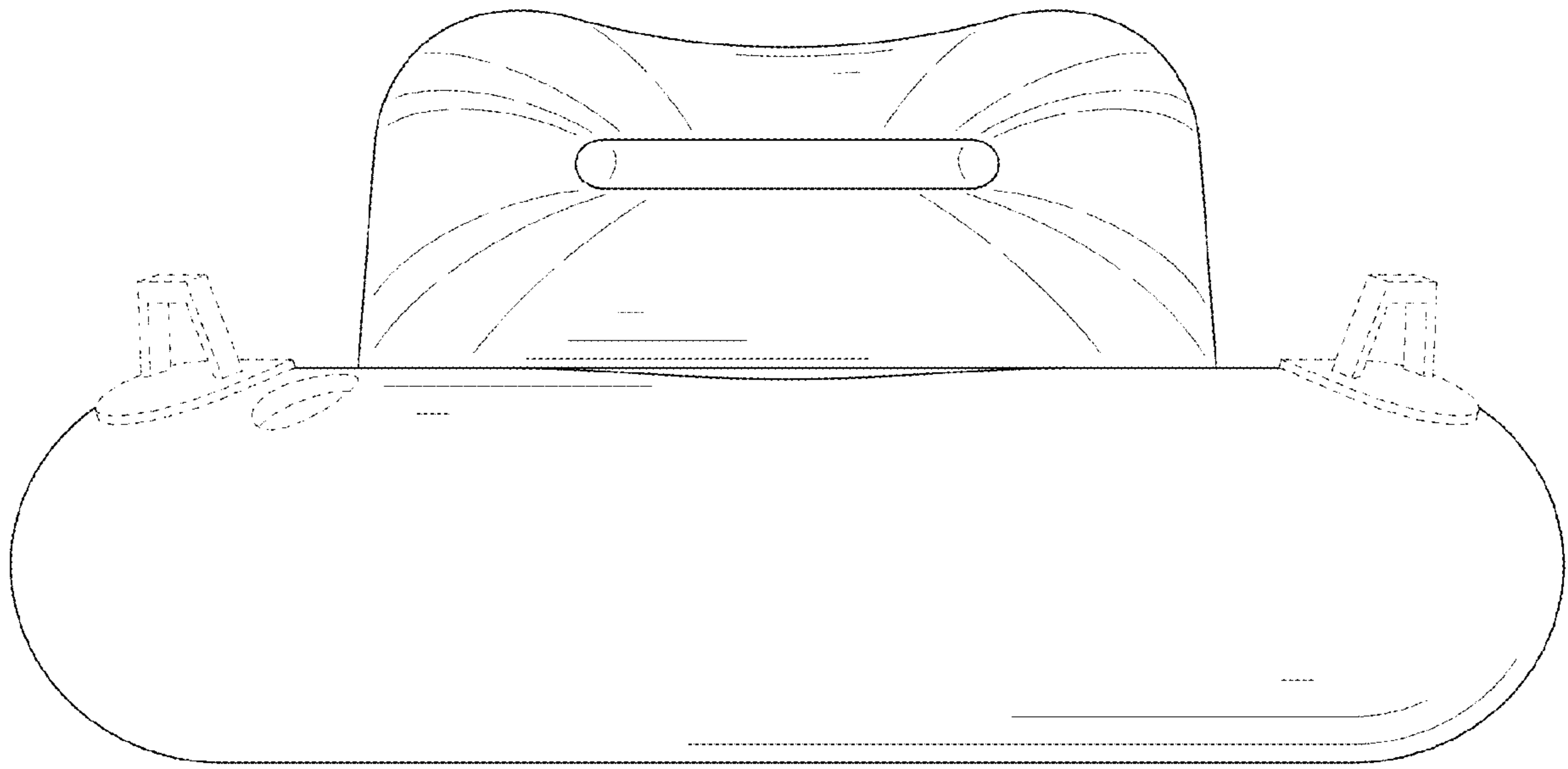


FIG. 8