



US00D932574S

(12) **United States Design Patent**
Adams et al.

(10) **Patent No.:** **US D932,574 S**

(45) **Date of Patent:** **** Oct. 5, 2021**

(54) **FEET FOR A WEIGHT RACK**

(71) Applicant: **Coulter Ventures, LLC.**, Columbus, OH (US)

(72) Inventors: **Bryan Adams**, Columbus, OH (US);
William Henniger, Columbus, OH (US)

(73) Assignee: **Coulter Ventures, LLC.**, Columbus, OH (US)

(**) Term: **15 Years**

(21) Appl. No.: **29/720,375**

(22) Filed: **Jan. 13, 2020**

(51) **LOC (13) Cl.** **21-02**

(52) **U.S. Cl.**
USPC **D21/694**

(58) **Field of Classification Search**

USPC D21/686, 682, 694, 662, 665, 673, 690,
D21/691, 798, 826, 676, 681, 680, 688,
D21/663, 679, 674; D25/62, 66, 68, 119,
D25/126, 136, 134, 133, 144, 156, 159,
D25/148, 109; D6/329, 536, 553;
D8/323, 354, 330; D12/203, 130, 406;
D24/188

See application file for complete search history.

(56) **References Cited**

U.S. PATENT DOCUMENTS

2,067,403 A 1/1937 Lea
D238,963 S * 2/1976 Vinci D15/9
D258,128 S * 2/1981 Baker D12/203
D263,730 S * 4/1982 Oribin D21/839
4,527,797 A 7/1985 Slade, Jr. et al.
4,666,154 A 5/1987 Lipscomb et al.
D291,338 S 8/1987 Ringel et al.
4,907,798 A 3/1990 Burchatz
5,203,752 A 4/1993 Frankel

5,273,506 A 12/1993 Dawson, Jr.
5,302,164 A 4/1994 Austin
5,372,556 A 12/1994 Ropp
5,395,296 A 3/1995 Webster et al.
D358,623 S 5/1995 Macasieb
(Continued)

OTHER PUBLICATIONS

Product listing for Rogue RM-6 Monster Rack from <https://web.archive.org/web/20180725062357/https://www.roguefitness.com/rogue-rm-6-bolt-together-monster-rack-2-0>, dated Jul. 25, 2018.

(Continued)

Primary Examiner — Khawaja Anwar

Assistant Examiner — Julice Seung Eun Oum

(74) *Attorney, Agent, or Firm* — Banner & Witcoff, Ltd.

(57) **CLAIM**

The ornamental design for feet for a weight rack, as shown and described.

DESCRIPTION

FIG. 1 is a top, front, left perspective view of feet for a weight rack showing our new design;

FIG. 2 is front view thereof;

FIG. 3 is a rear view thereof;

FIG. 4 is a right side view thereof;

FIG. 5 is a left side view thereof;

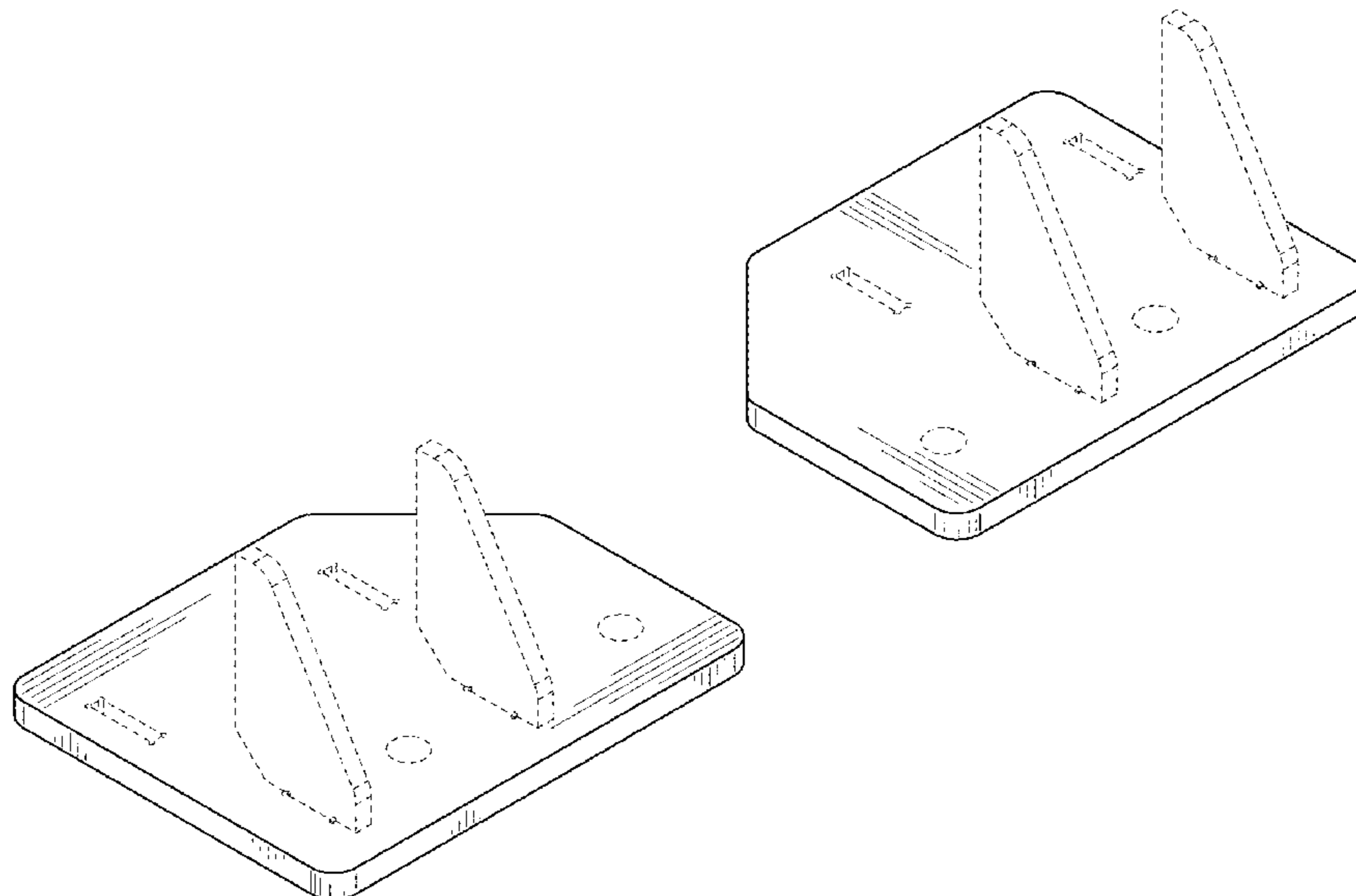
FIG. 6 is a top view thereof;

FIG. 7 is a bottom view thereof; and,

FIG. 8 is a top, front, left perspective view showing our new design of FIGS. 1-7 in its exemplary environment.

The even-length broken lines immediately adjacent to the shaded areas define the bounds of the claimed design and form no part thereof. The even-length broken lines depicting the remainder of the feet for a weight rack and the exemplary environment show features that form no part of the claimed design.

1 Claim, 7 Drawing Sheets



(56)

References Cited

U.S. PATENT DOCUMENTS

5,411,453 A 5/1995 Wilson
 5,802,790 A 9/1998 Lamont et al.
 5,928,119 A 7/1999 Dinkel
 6,220,988 B1 4/2001 Williams
 D496,248 S 9/2004 Liebendorfer
 D529,633 S 10/2006 Zarb
 D550,790 S 9/2007 Staten
 D550,791 S 9/2007 Rogers et al.
 D550,792 S 9/2007 Rogers et al.
 D550,793 S 9/2007 Rogers et al.
 D551,306 S 9/2007 Rogers et al.
 D603,976 S 11/2009 Pearce
 D629,472 S 12/2010 Rhodes
 D635,206 S 3/2011 Henniger
 D636,038 S 4/2011 Henniger
 D636,040 S 4/2011 Henniger
 8,016,686 B2 9/2011 Liggett et al.
 RE43,397 E 5/2012 Rogers et al.
 D664,622 S 7/2012 Orsulak et al.
 D664,624 S 7/2012 Orsulak et al.
 D666,251 S * 8/2012 Yanagita D21/335
 D672,419 S 12/2012 Stroitz
 D697,988 S 1/2014 Januszek
 D698,402 S 1/2014 Saletta
 D699,805 S 2/2014 Green
 D710,724 S * 8/2014 Kulkarni D10/113.3
 D711,477 S * 8/2014 Fittingoff D21/385
 8,876,673 B2 11/2014 Inglut
 8,998,781 B1 4/2015 Nelson
 D734,410 S 7/2015 Childs et al.
 D735,820 S 8/2015 Alenaddaf
 9,095,742 B2 8/2015 Henniger et al.
 D737,863 S * 9/2015 Singh D15/7
 D742,979 S 11/2015 Post
 9,192,799 B2 11/2015 Alenaddaf
 9,278,246 B2 3/2016 Tambornino et al.
 D762,789 S 8/2016 Gilchrist
 9,409,220 B2 8/2016 Henniger et al.
 D767,692 S 9/2016 Kuka
 D767,693 S 9/2016 Kuka
 9,492,701 B1 11/2016 Bognatz
 D781,453 S 3/2017 Gomez
 9,610,490 B2 4/2017 Tambornino et al.
 D788,945 S 6/2017 Meyer
 D794,144 S 8/2017 Abelbeck et al.
 D815,305 S 4/2018 Alvarado et al.
 D818,547 S 5/2018 Meredith et al.
 D836,172 S 12/2018 Kuka
 10,226,661 B2 3/2019 Henniger et al.
 D852,291 S 6/2019 Meredith et al.
 10,307,634 B2 6/2019 Young
 D852,907 S 7/2019 Sergakis
 D883,406 S 5/2020 Sergakis
 D888,850 S 6/2020 Smith, Jr.
 D909,502 S * 2/2021 Adams D21/694
 2005/0032612 A1 2/2005 Keiser
 2007/0032357 A1 2/2007 Piane
 2007/0155594 A1 7/2007 Rogers et al.
 2007/0155595 A1 7/2007 Rogers et al.
 2007/0155596 A1 7/2007 Rogers et al.
 2012/0142506 A1 6/2012 Hetrick et al.
 2012/0202656 A1 8/2012 Dorsay
 2012/0329613 A1 12/2012 Schiano
 2013/0274080 A1 10/2013 Matsushita
 2013/0296143 A1 11/2013 Staten et al.
 2013/0296146 A1 11/2013 Staten et al.
 2013/0324382 A1 12/2013 Wilson
 2014/0014604 A1 1/2014 de Moraes Correia
 2014/0087928 A1 3/2014 Luedeka
 2014/0135182 A1 5/2014 Inglut
 2014/0135183 A1 5/2014 Inglut
 2014/0135184 A1 5/2014 Hoole
 2014/0274563 A1 9/2014 Sheta
 2014/0274584 A1 9/2014 Hoole
 2015/0011370 A1 1/2015 Henniger

2015/0014212 A1 1/2015 Beaver et al.
 2015/0016919 A1 1/2015 Tambornino et al.
 2015/0059257 A1 3/2015 Beaver et al.
 2015/0065316 A1 3/2015 Towley, III et al.
 2015/0196119 A1 7/2015 Henniger
 2015/0290488 A1 10/2015 Hopperstad et al.
 2016/0023035 A1 1/2016 Meyer
 2017/0007877 A1 1/2017 Leipheimer
 2017/0056705 A1 3/2017 Zha et al.
 2017/0080276 A1 3/2017 Lopes Rodrigues
 2017/0120099 A1 5/2017 Biddix, Jr.
 2017/0189736 A1 7/2017 Martin
 2017/0246496 A1 8/2017 Nelson et al.
 2017/0282002 A1 10/2017 Lee
 2018/0036573 A1 2/2018 Lennox et al.
 2018/0117382 A1 5/2018 Johanson et al.
 2018/0178051 A1 6/2018 Shaw, Jr.
 2018/0243597 A1 8/2018 Schlegel
 2018/0326250 A1 11/2018 Henniger et al.
 2018/0353795 A1 12/2018 Ostmeyer et al.
 2019/0009157 A1 1/2019 Sudeith et al.
 2019/0240521 A1 8/2019 Staten
 2019/0269992 A1 9/2019 Dunahay
 2019/0275363 A1 9/2019 Jones et al.
 2020/0139186 A1 * 5/2020 Sorin A63B 21/08
 2020/0179744 A1 6/2020 Arroyo

OTHER PUBLICATIONS

Product listing for Rogue Monster Lite Crossmembers from <https://web.archive.org/web/20180726214651/https://www.roguefitness.com/monster-lite-crossmembers>, dated Jul. 26, 2018.
 Product listing for Rogue Monster Crossmembers from <https://web.archive.org/web/20151005121212/http://www.roguefitness.com/rogue-monster-crossmembers>, dated Oct. 5, 2015.
 Product listing for Rogue Monster Lite Crossmembers from <https://web.archive.org/web/20150831043319/http://www.roguefitness.com/monster-lite-crossmembers>, dated Aug. 31, 2015.
 Product listing for Monster Lite Monkey Rig 2.0 from <https://web.archive.org/web/20161202195146/http://www.roguefitness.com/rogue-monster-lite-monkey-rig-2-0>, dated Dec. 2, 2016.
 Product listing for Rogue Echo Rig from <https://web.archive.org/web/20160518084653/http://www.roguefitness.com/echo-rig>, dated May 18, 2016.
 Product listing for Rogue Monster Lite Rig 2.0 from <https://web.archive.org/web/20160511215330/http://www.roguefitness.com/monster-lite-rig-2-0>, dated May 11, 2016.
 Product listing for Rogue Monster Rig 2.0 from <https://web.archive.org/web/20160511213413/http://www.roguefitness.com/monster-rig-2-0>, dated May 11, 2016.
 Product listing for Rogue Infinity Rig from <https://web.archive.org/web/20160518082947/http://www.roguefitness.com/infinity-rig>, dated May 18, 2016.
 Product listing for Rogue Monster Rig from <https://web.archive.org/web/20160317072250/http://www.roguefitness.com/monster-rig>, dated Mar. 17, 2016.
 Photos of Rogue Regional Rig, known to be publicly disclosed prior to Apr. 25, 2017.
 Photos of Rogue Regional Rig from <https://twitter.com/roguefitness/status/865599795754180608>, dated May 19, 2017.
 Screenshots taken from https://www.youtube.com/watch?v=OWN6HYHR0_Y, dated Jul. 28, 2017.
 Roguefitness, “Rogue Monster Climbing Hold Crossmembers”, Jan. 14, 2020. https://www.roguefitness.com/rogue-monster-climbing-hold-crossmember?prod_id=67426&gclid=CjwKCAiA6vXwBRBKEiwAYE7iS_Zy9bmf6yJAtCsxaQrVrJkdDypcRxqH6MGaAQf7xiwX6WZlco0xoCGLAQAvD_BwE. Shown on p. 1 (Year: 2020).
 Product listing for Rogue Monster Lite Monkey Rig 2.0 from <https://web.archive.org/web/20170629153857/http://www.roguefitness.com/rogue-monster-lite-monkey-rig-2-0>, dated Jun. 29, 2017.
 Product listing for Rogue Monster Wingspan Rig from <https://www.roguefitness.com/rogue-monster-wingspan-rig>, dated Mar. 20, 2020, product available prior to Jul. 31, 2018.

(56)

References Cited

OTHER PUBLICATIONS

Product listing for Rogue Monster Crossmembers from <https://web.archive.org/web/20180831022022/https://www.roguefitness.com/rogue-monster-crossmembers>, dated Aug. 31, 2018.

Product listing for Rogue Monster Crossmembers from <https://web.archive.org/web/20151005121212/https://www.roguefitness.com/rogue-monster-crossmembers>, dated Oct. 5, 2015.

Product listing for Monster Lite Crossmembers from <https://web.archive.org/web/20180726214651/https://www.roguefitness.com/monster-lite-crossmembers>, dated Jul. 26, 2018.

Product listing for Rogue Infinity Crossmembers from <https://web.archive.org/web/20171106183221/http://www.roguefitness.com/rogue-infinity-crossmembers>, dated Nov. 6, 2017.

Product listing for Rogue Infinity Crossmembers from <https://web.archive.org/web/20151005114744/http://www.roguefitness.com/rogue-infinity-crossmembers>, dated Oct. 5, 2015.

Product listing for Rogue Echo Crossmembers from <https://web.archive.org/web/20151005124555/http://www.roguefitness.com/rogue-echo-crossmembers>, dated Oct. 5, 2015.

* cited by examiner

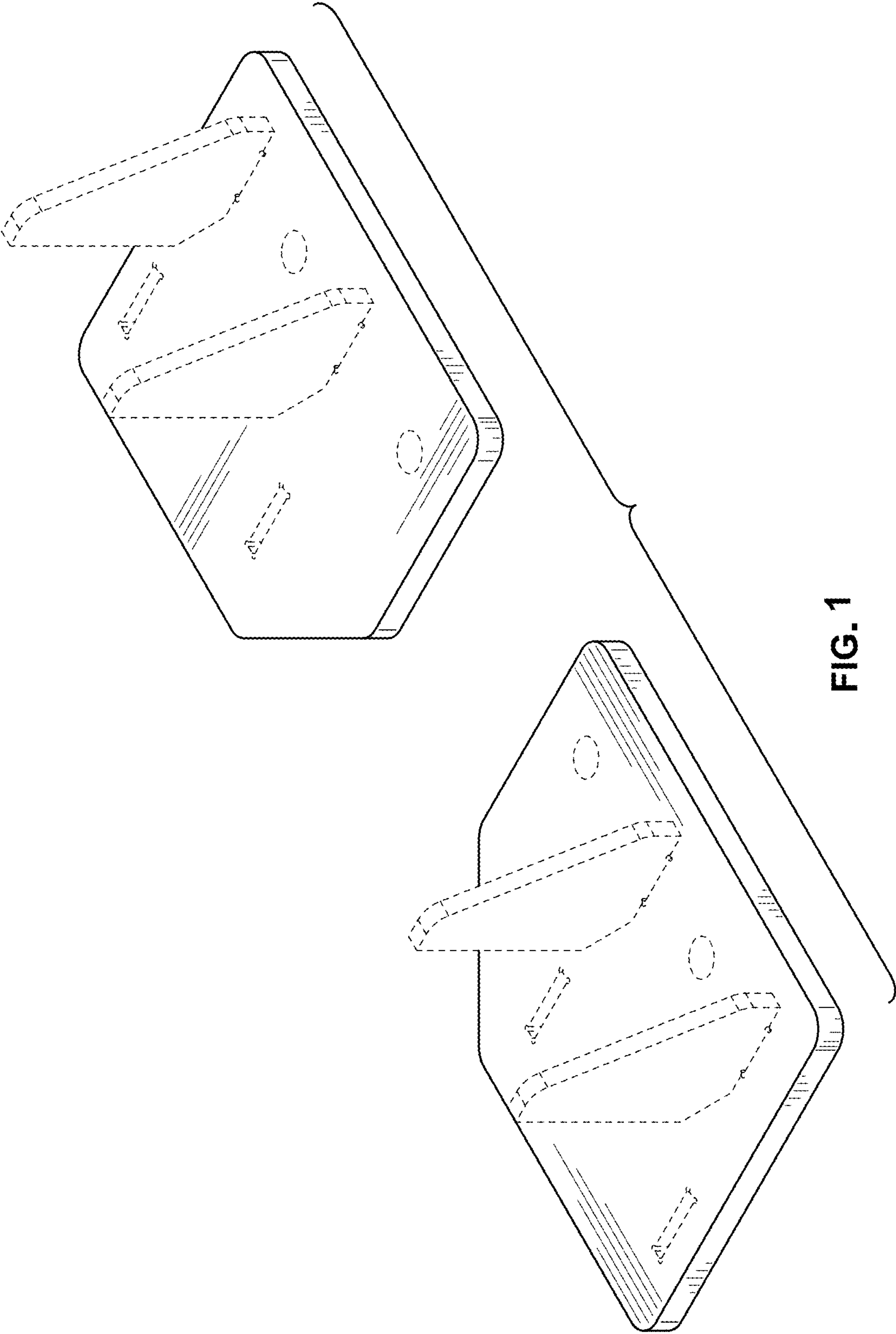


FIG. 1

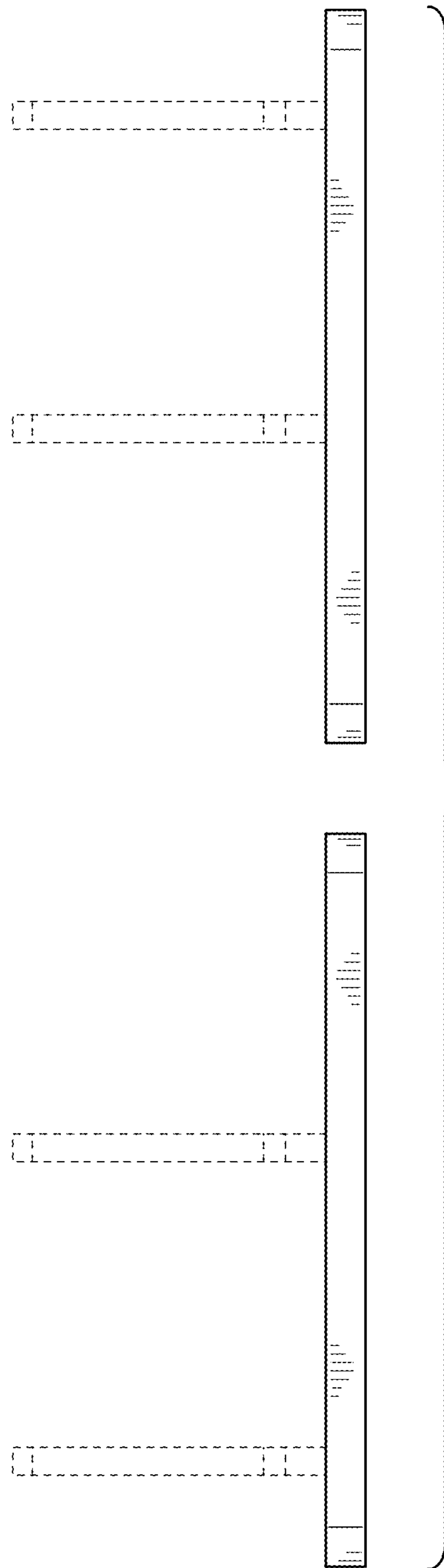


FIG. 2

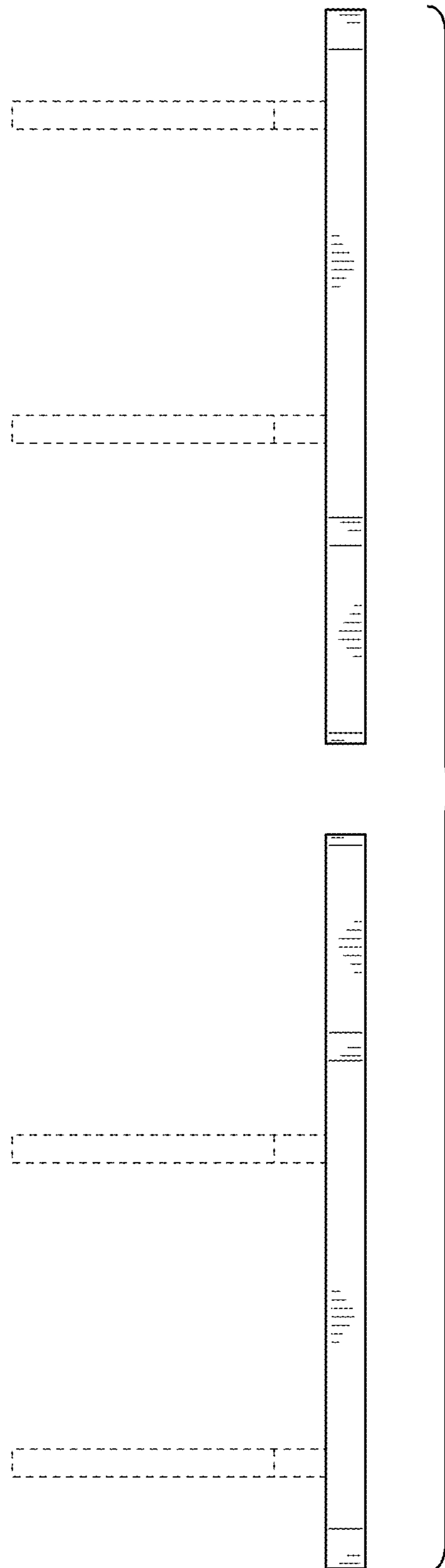


FIG. 3

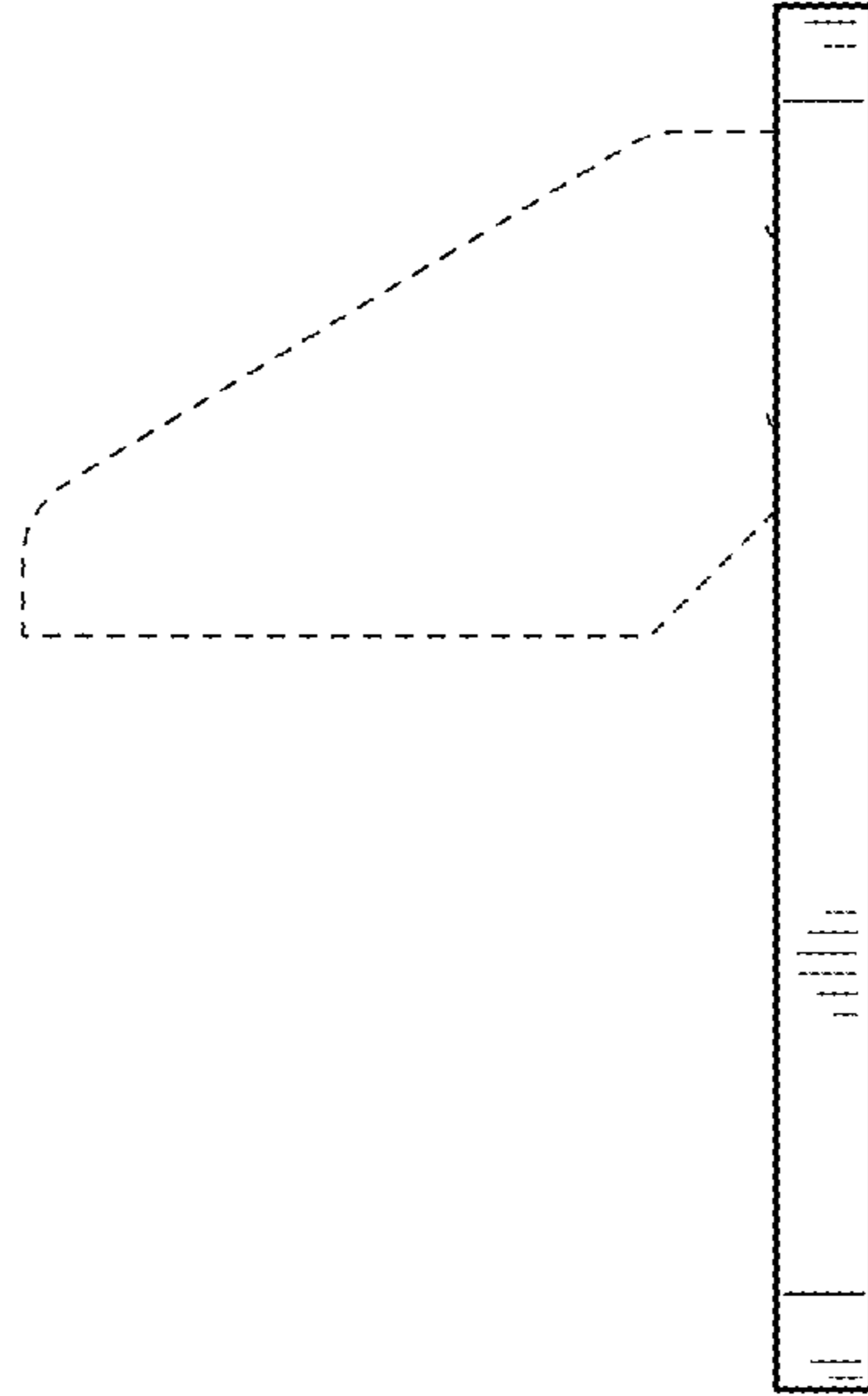


FIG. 5

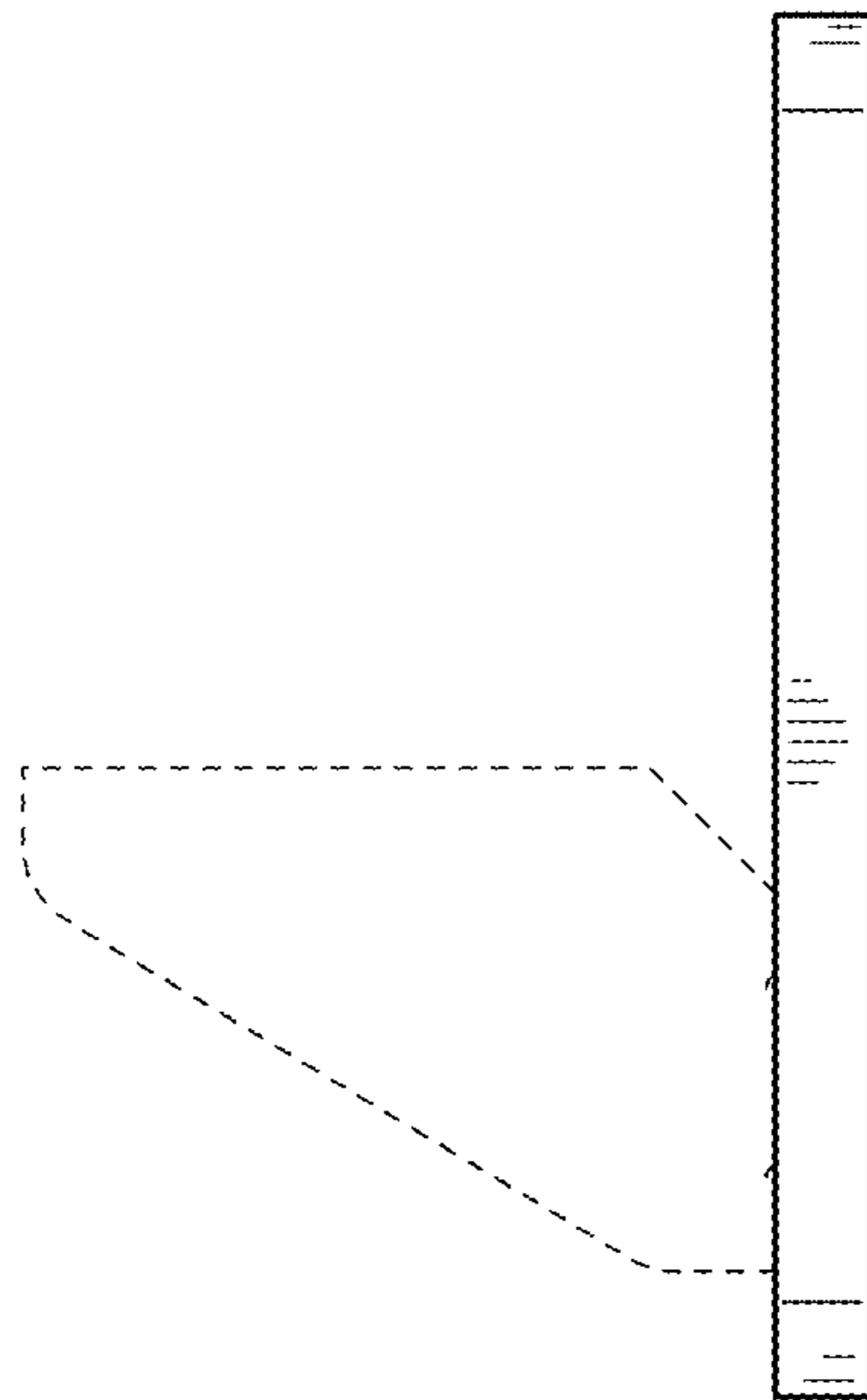


FIG. 4

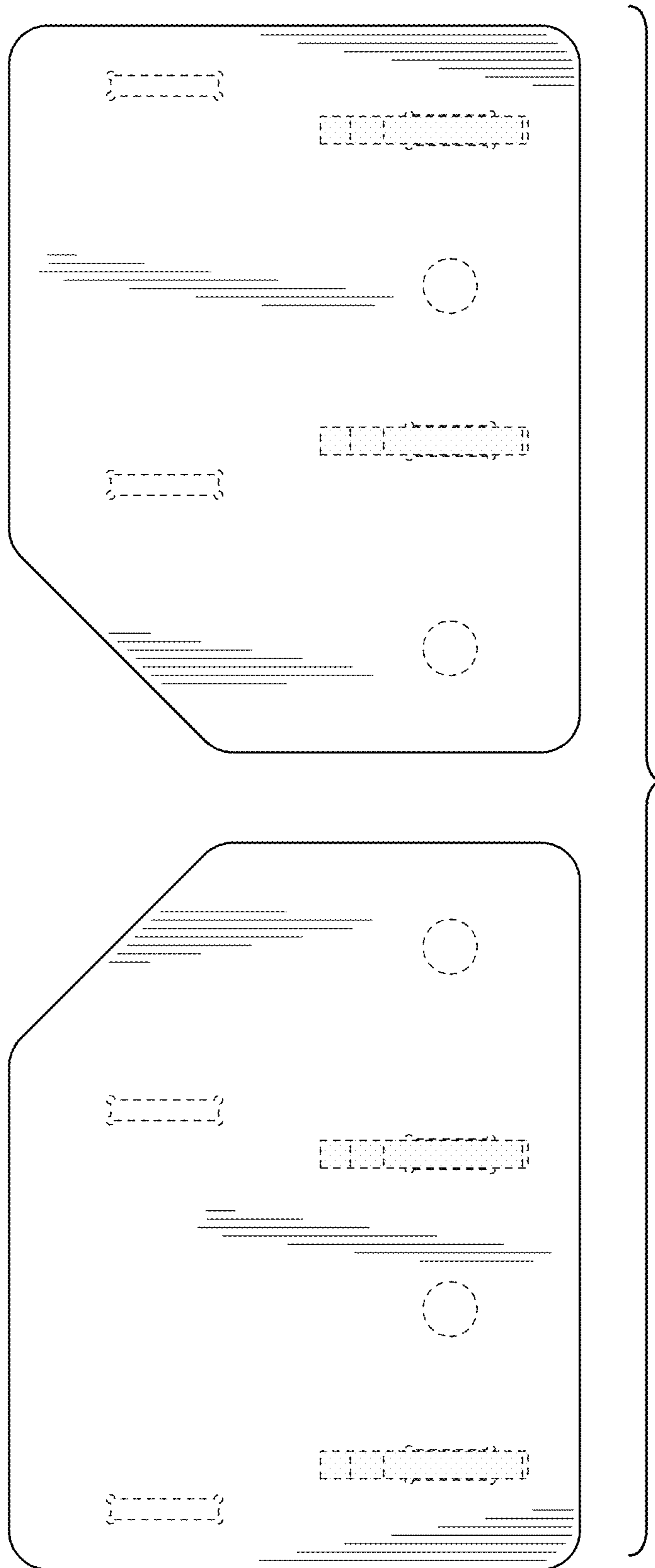
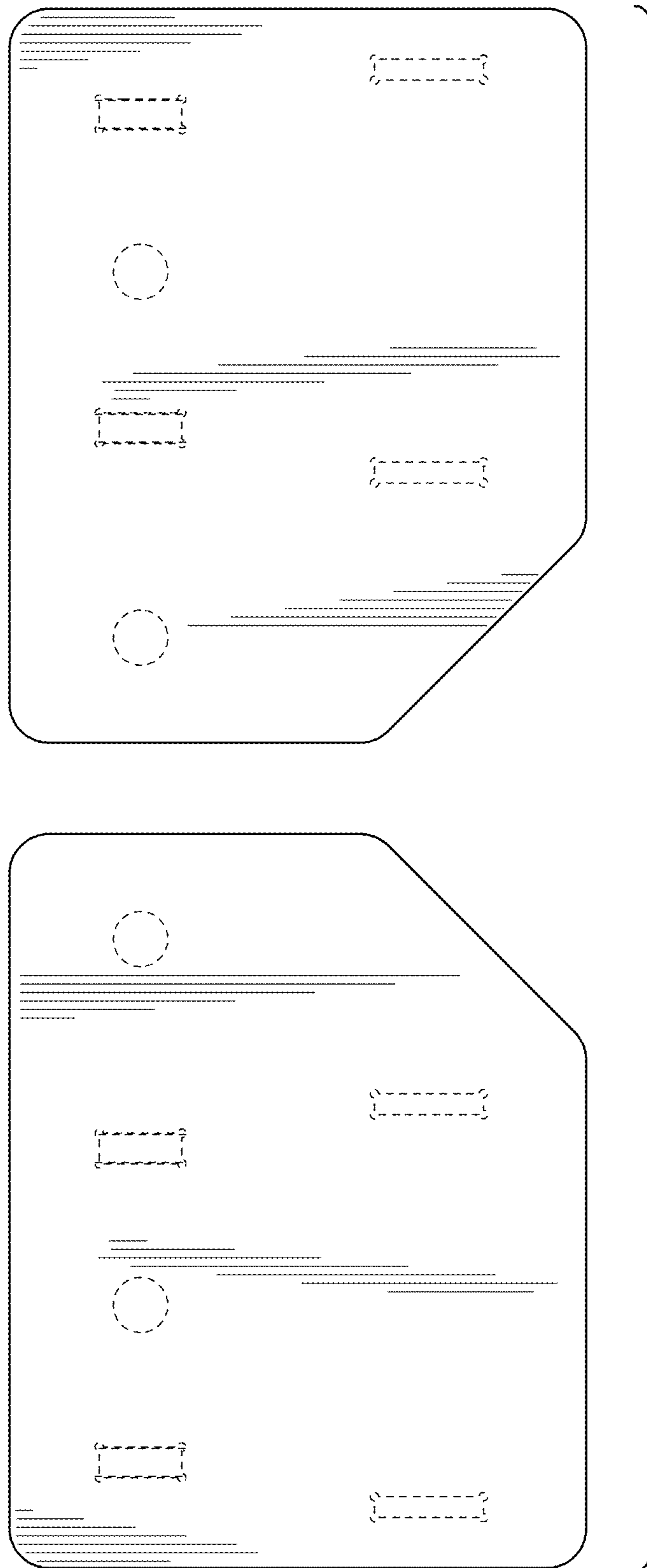


FIG. 6



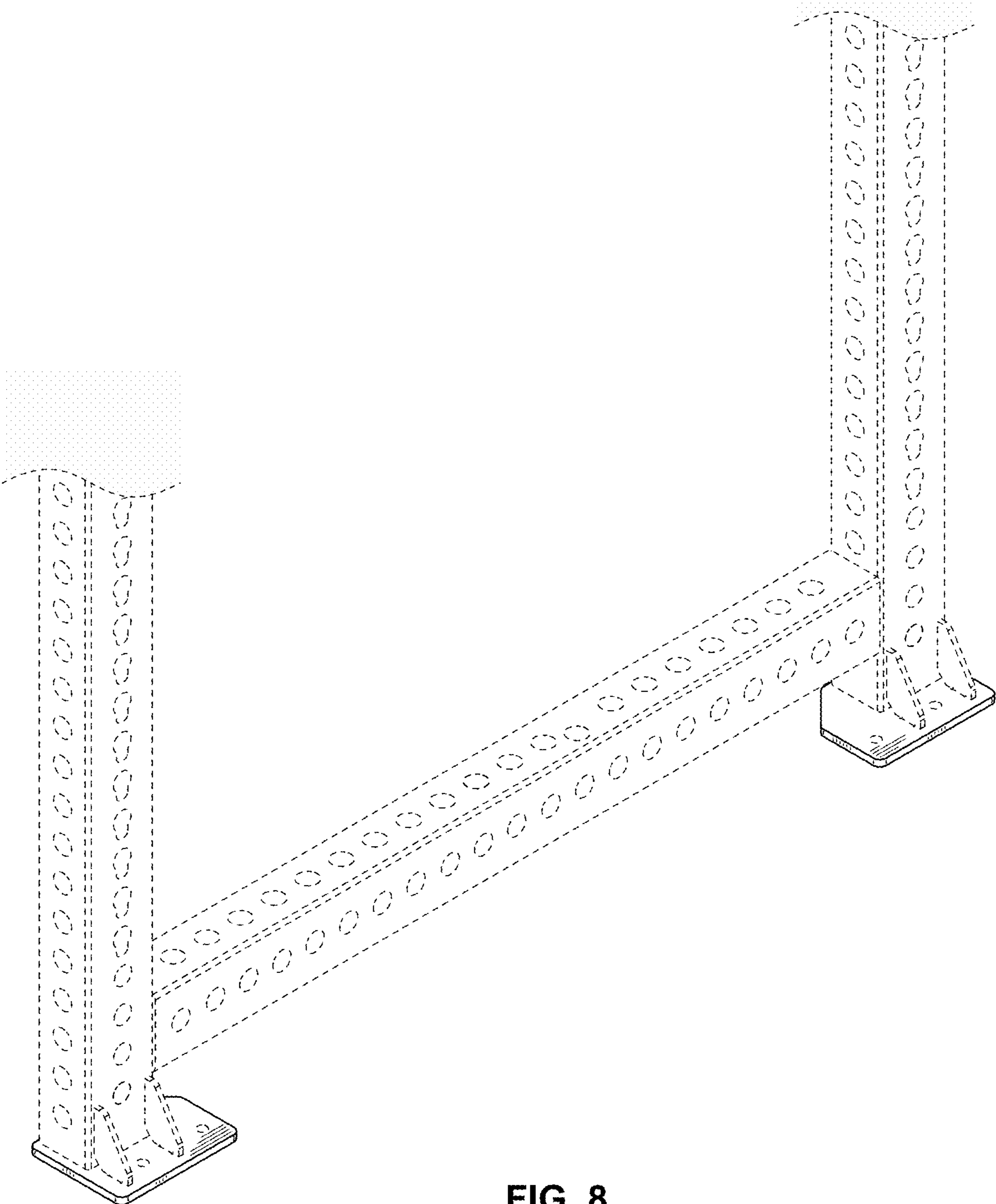


FIG. 8