



US00D932571S

(12) **United States Design Patent**
Wang

(10) **Patent No.:** **US D932,571 S**

(45) **Date of Patent:** **** Oct. 5, 2021**

(54) **KETTLEBELL**

(71) Applicant: **LIVEN SPORTS MFG. (Xiamen) Co., Ltd.**, Xiamen (CN)

(72) Inventor: **Jen-Hung Wang**, Taipei (TW)

(73) Assignee: **LIVEN SPORTS MFG. (XIAMEN) CO., LTD.**, Xiamen (CN)

(**) Term: **15 Years**

(21) Appl. No.: **29/719,681**

(22) Filed: **Jan. 7, 2020**

(51) **LOC (13) Cl.** **21-02**

(52) **U.S. Cl.**
USPC **D21/680**

(58) **Field of Classification Search**

USPC D21/662, 681, 682, 685, 686, 694, 680,
D21/684, 679, 678

CPC A63B 21/072; A63B 23/12; A63B 21/06;
A63B 21/0601; A63B 21/075; A63B
23/1236; A63B 21/00094

See application file for complete search history.

(56) **References Cited**

U.S. PATENT DOCUMENTS

7,491,157	B1 *	2/2009	Lin	A63B 21/072 482/108
7,563,208	B1 *	7/2009	Chen	A63B 21/0728 482/108
D628,251	S *	11/2010	Krull	D21/682
D654,971	S *	2/2012	Januszek	D21/682
D683,803	S *	6/2013	Childs	D21/681
D715,177	S *	10/2014	Vaughan	D11/81
D726,843	S *	4/2015	Barton	D21/682
9,022,906	B1 *	5/2015	Nelson	A63B 21/4043 482/108
D796,592	S *	9/2017	Towley	D21/682
D799,975	S *	10/2017	Anvaripour	D9/526
D811,019	S *	2/2018	Alton	D30/160
10,099,083	B1 *	10/2018	Owusu	A63B 21/072
D877,824	S *	3/2020	Chiang	D21/680
2010/0255960	A1 *	10/2010	Kessler	A63B 21/072 482/93

(Continued)

FOREIGN PATENT DOCUMENTS

GB	6071227	*	9/2018
GB	6077755	*	11/2019
KR	3020170052353	*	6/2018

OTHER PUBLICATIONS

73HA73 Adjustable kettlebell, announced 2019 [online], [site visited Dec. 23, 2020]. Available from internet, URL: https://www.amazon.com/73HA73-Adjustable-Kettlebell-Repetition-Workouts/dp/B07YY14GZS/ref=sr_1_78?dchild=1&keywords=kettlebell+with+adjustable+weight+plates&qid=1608752560&sr=8-78 (Year: 2019).*

Primary Examiner — Khawaja Anwar

Assistant Examiner — Julice Seung Eun Oum

(74) *Attorney, Agent, or Firm* — Muncy, Geissler, Olds & Lowe, P.C.

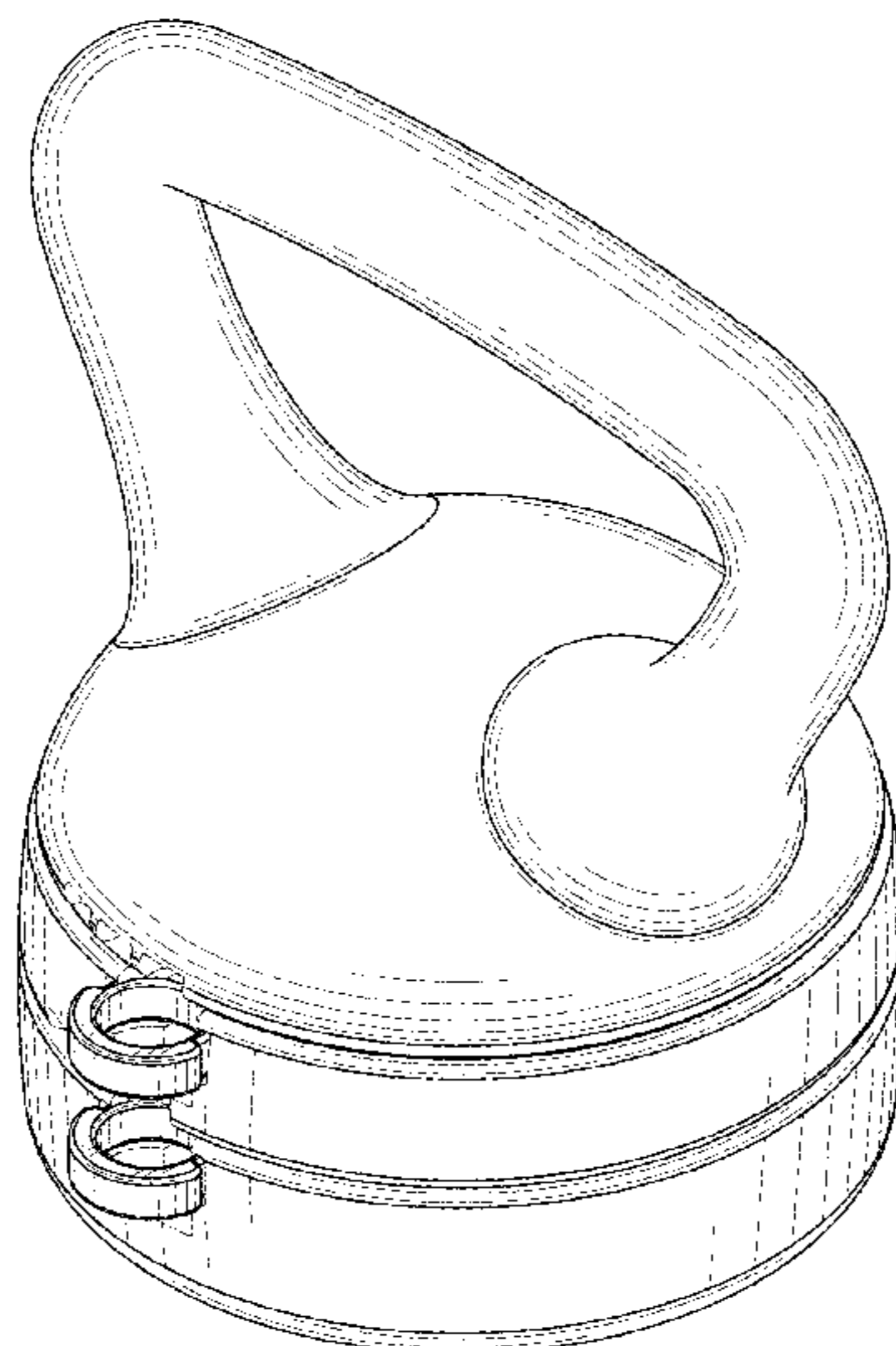
(57) **CLAIM**

The shape and ornamental design for a kettlebell, as shown and described.

DESCRIPTION

FIG. 1 is a perspective view of a kettlebell showing my new design;
FIG. 2 is a front elevational view thereof;
FIG. 3 is a rear elevational view thereof;
FIG. 4 is a left side elevational view thereof;
FIG. 5 is a right side elevational view thereof;
FIG. 6 is a top plan view thereof;
FIG. 7 is a bottom plan view thereof; and,
FIG. 8 is a reference figure showing the use of the kettlebell in which the pins are rotated 90 degrees.
The broken lines illustrate portions of the kettlebell which form no part of the claimed design.

1 Claim, 8 Drawing Sheets



(56)

References Cited

U.S. PATENT DOCUMENTS

2011/0263392 A1* 10/2011 Yu A63B 21/072
482/93
2012/0252641 A1* 10/2012 Odneal A63B 21/0728
482/108
2012/0322631 A1* 12/2012 Januszek A63B 21/072
482/108
2013/0012367 A1* 1/2013 Williams A63B 21/072
482/108
2013/0040789 A1* 2/2013 Kessler A63B 21/072
482/108
2013/0244843 A1* 9/2013 Burwell A63B 21/0728
482/108
2016/0236029 A1* 8/2016 Kaszer A63B 21/0726
2017/0080275 A1* 3/2017 Wilke A63B 21/0726
2018/0169460 A1* 6/2018 Chen A63B 21/075
2019/0217146 A1* 7/2019 Sisler A63B 1/00
2019/0240526 A1* 8/2019 Owusu A63B 21/075
2019/0344113 A1* 11/2019 Tran A63B 21/075
2019/0344114 A1* 11/2019 Tran A63B 21/4035
2020/0114204 A1* 4/2020 Owusu A63B 21/075

* cited by examiner

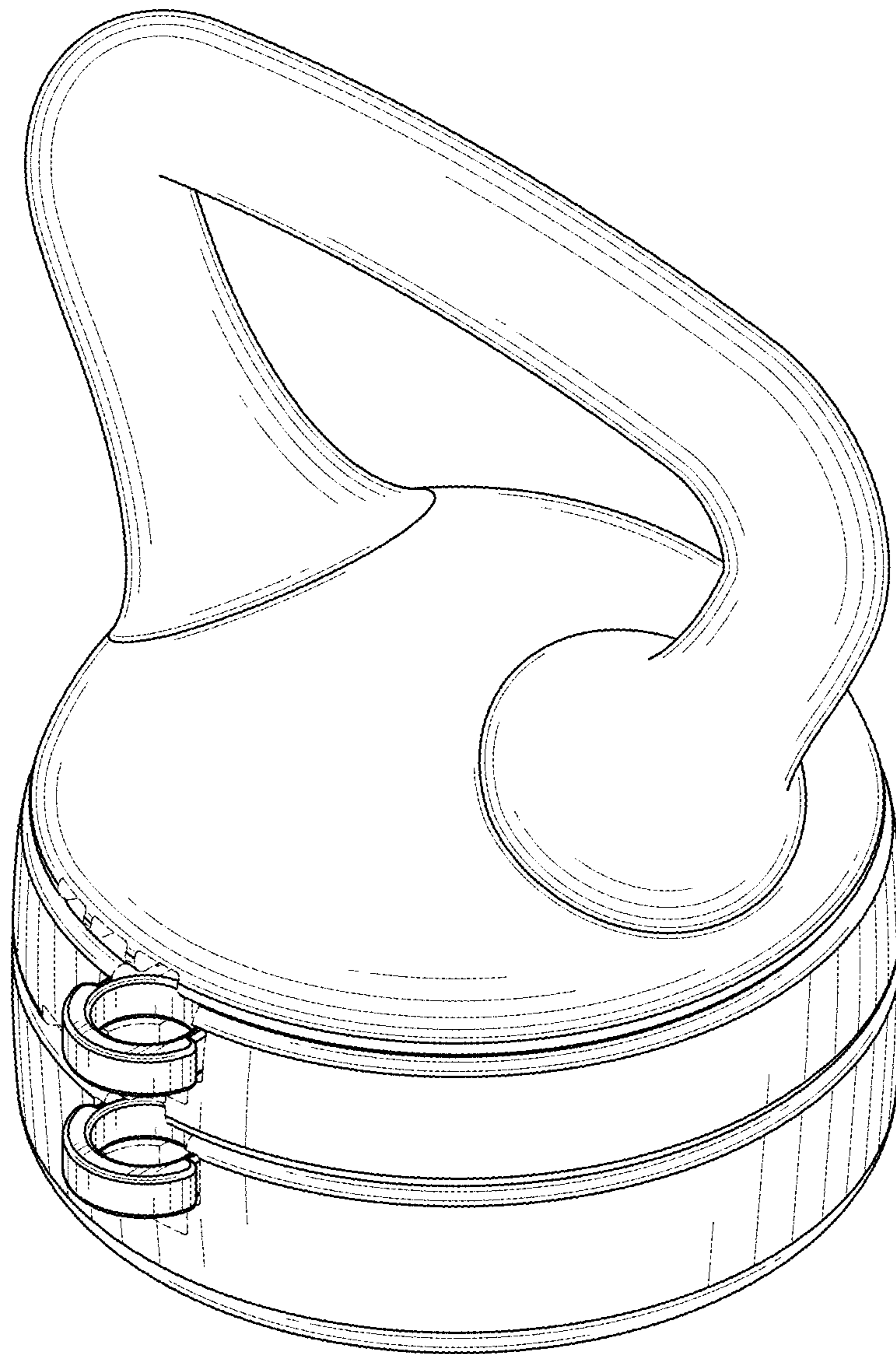


Fig. 1

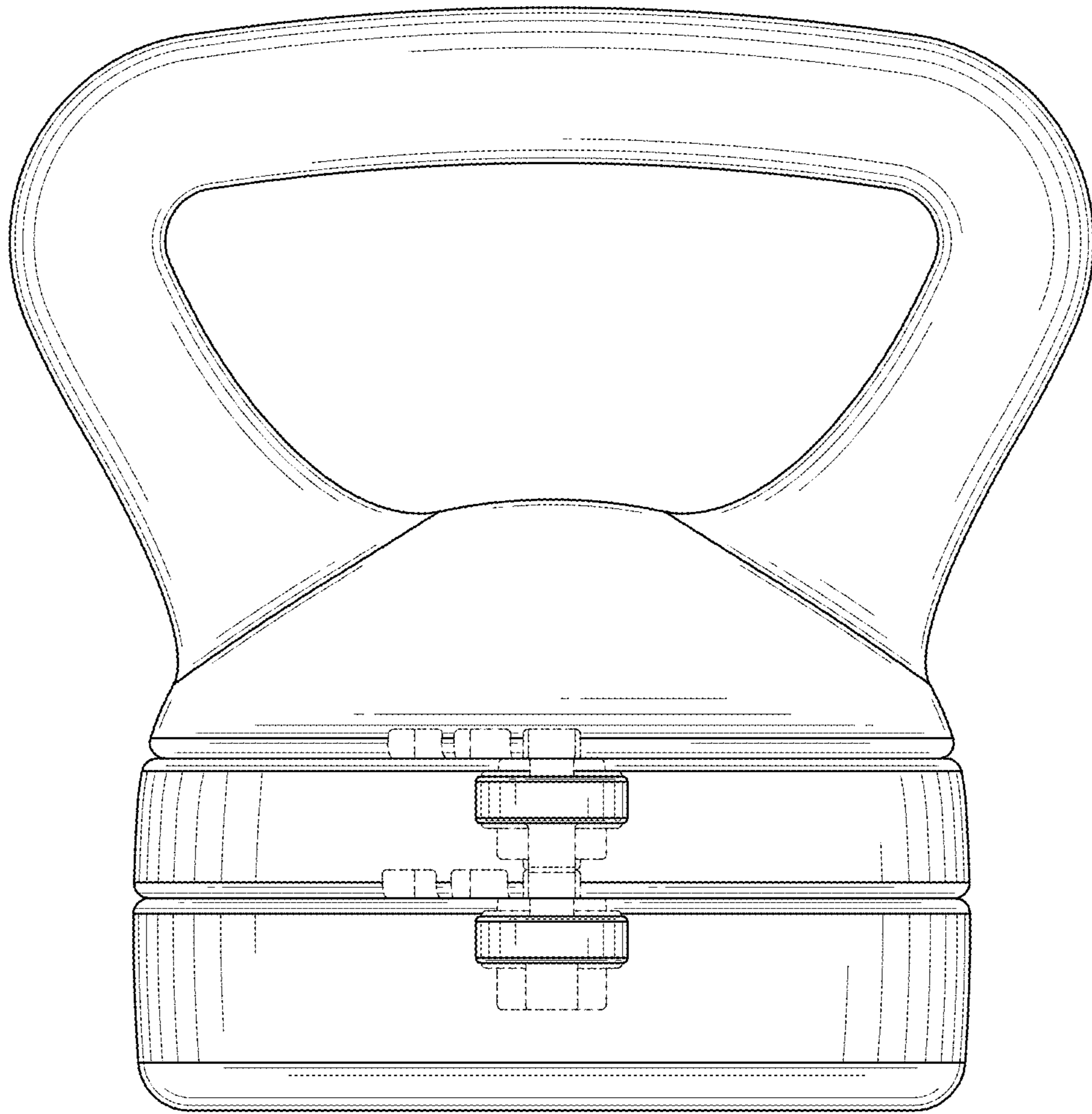


Fig. 2

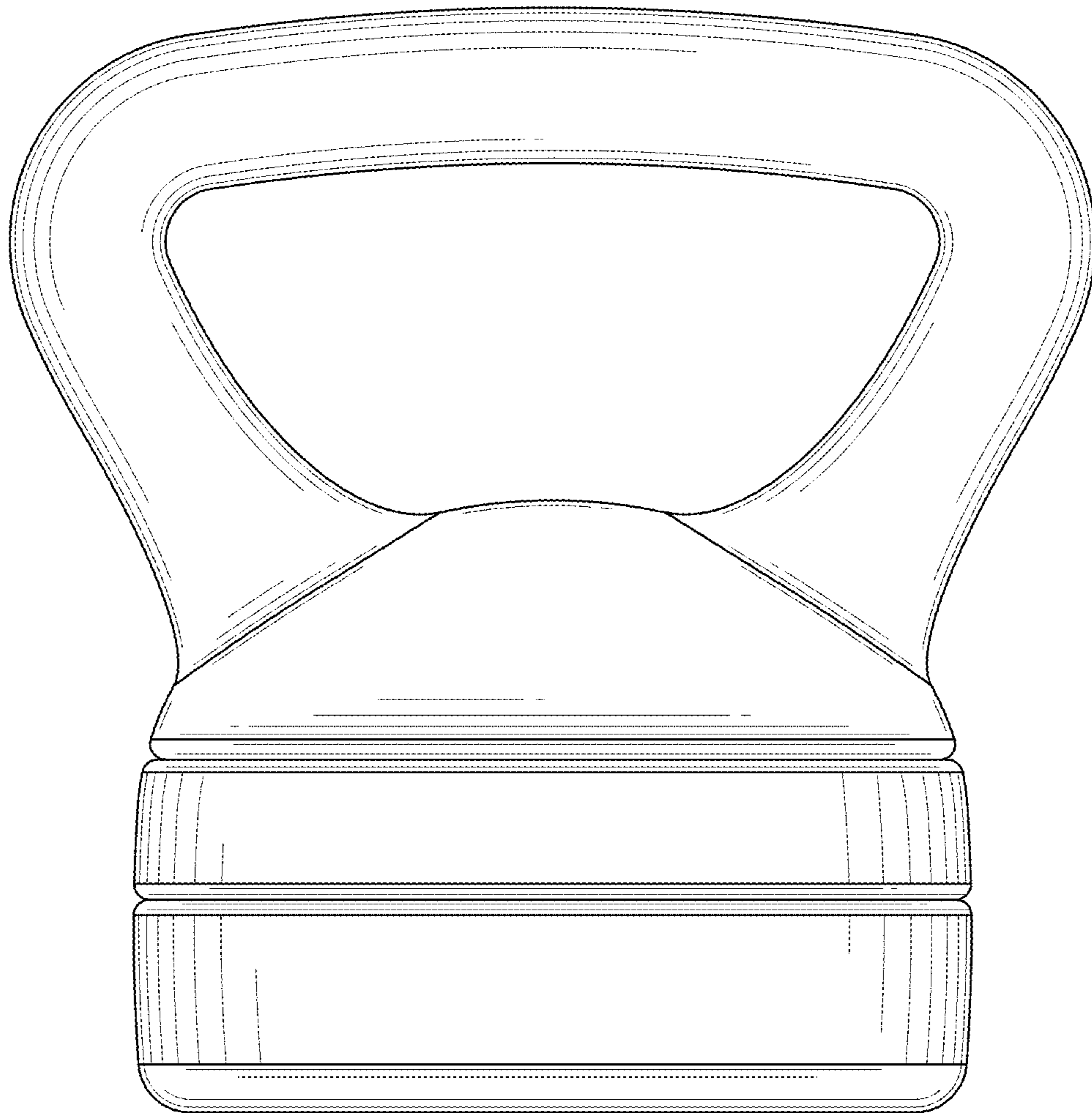


Fig. 3

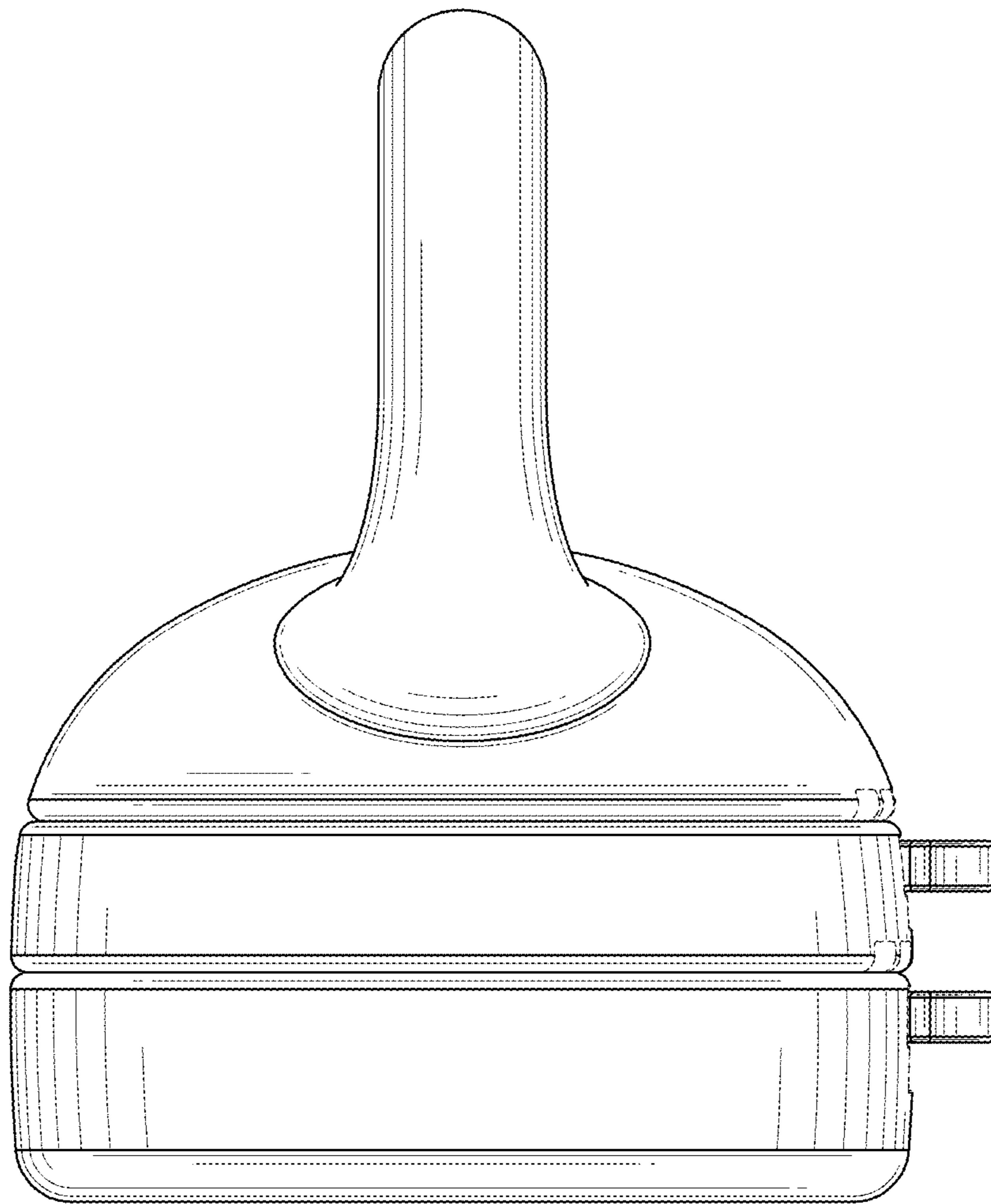


Fig. 4

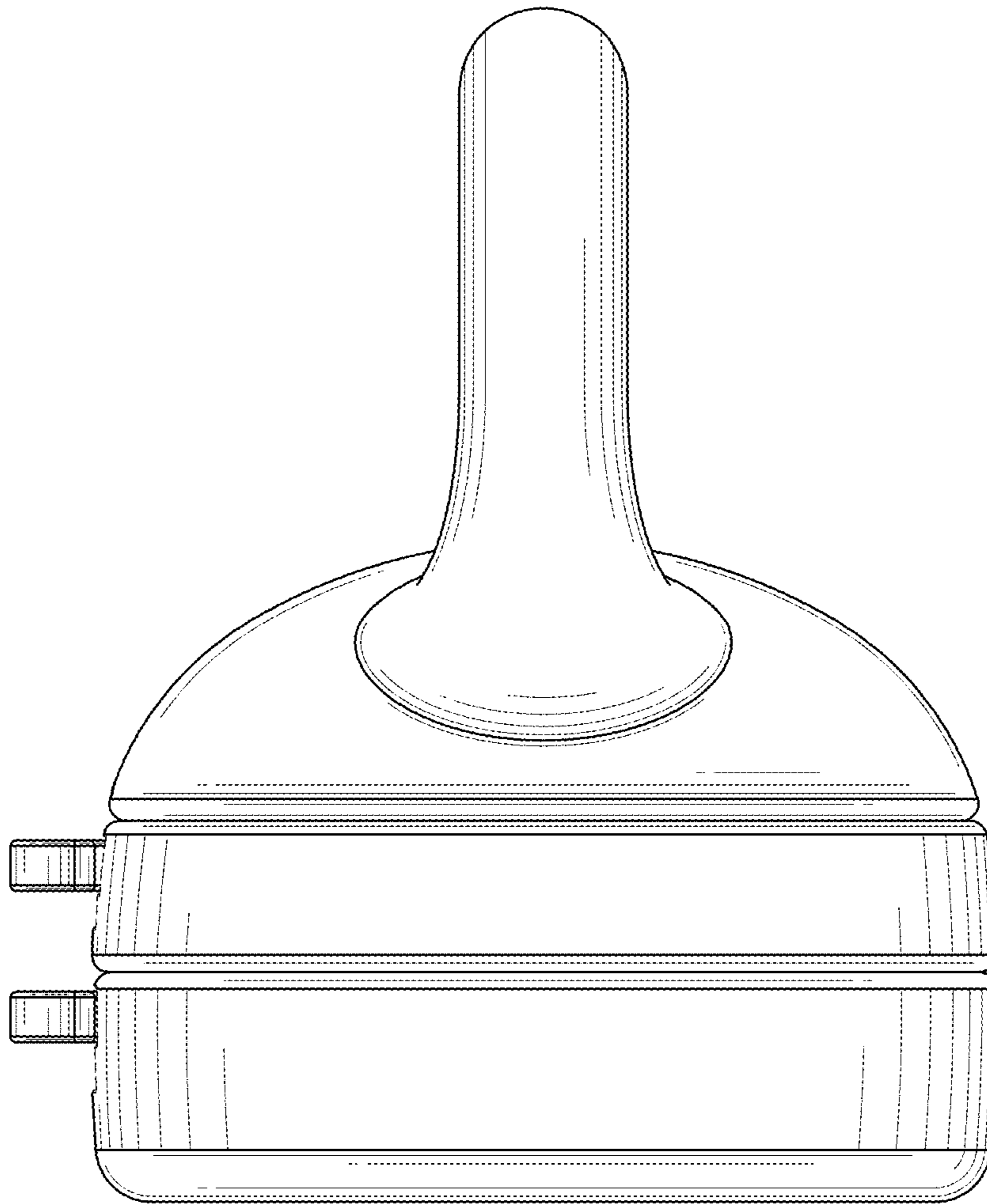


Fig. 5

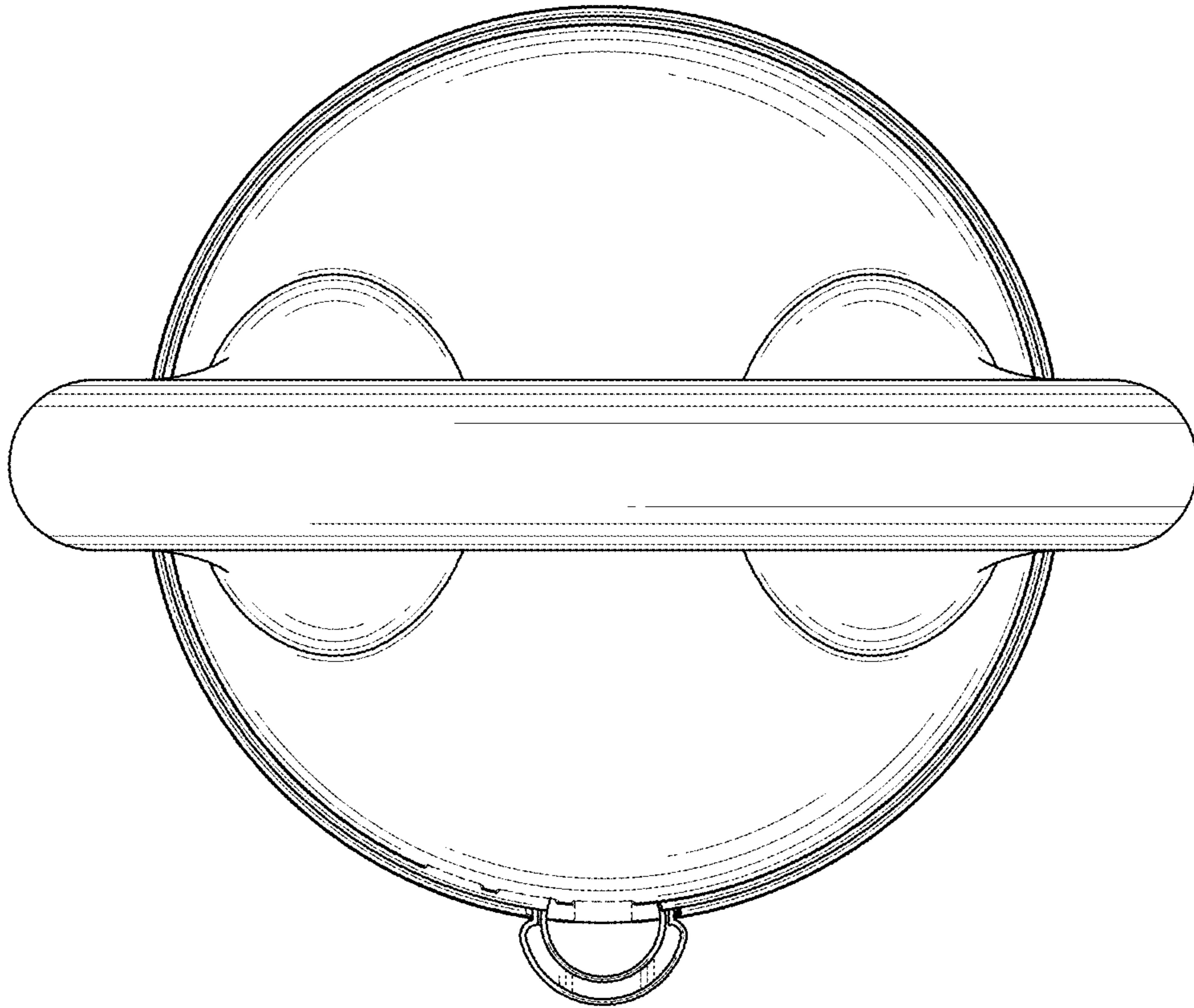


Fig. 6

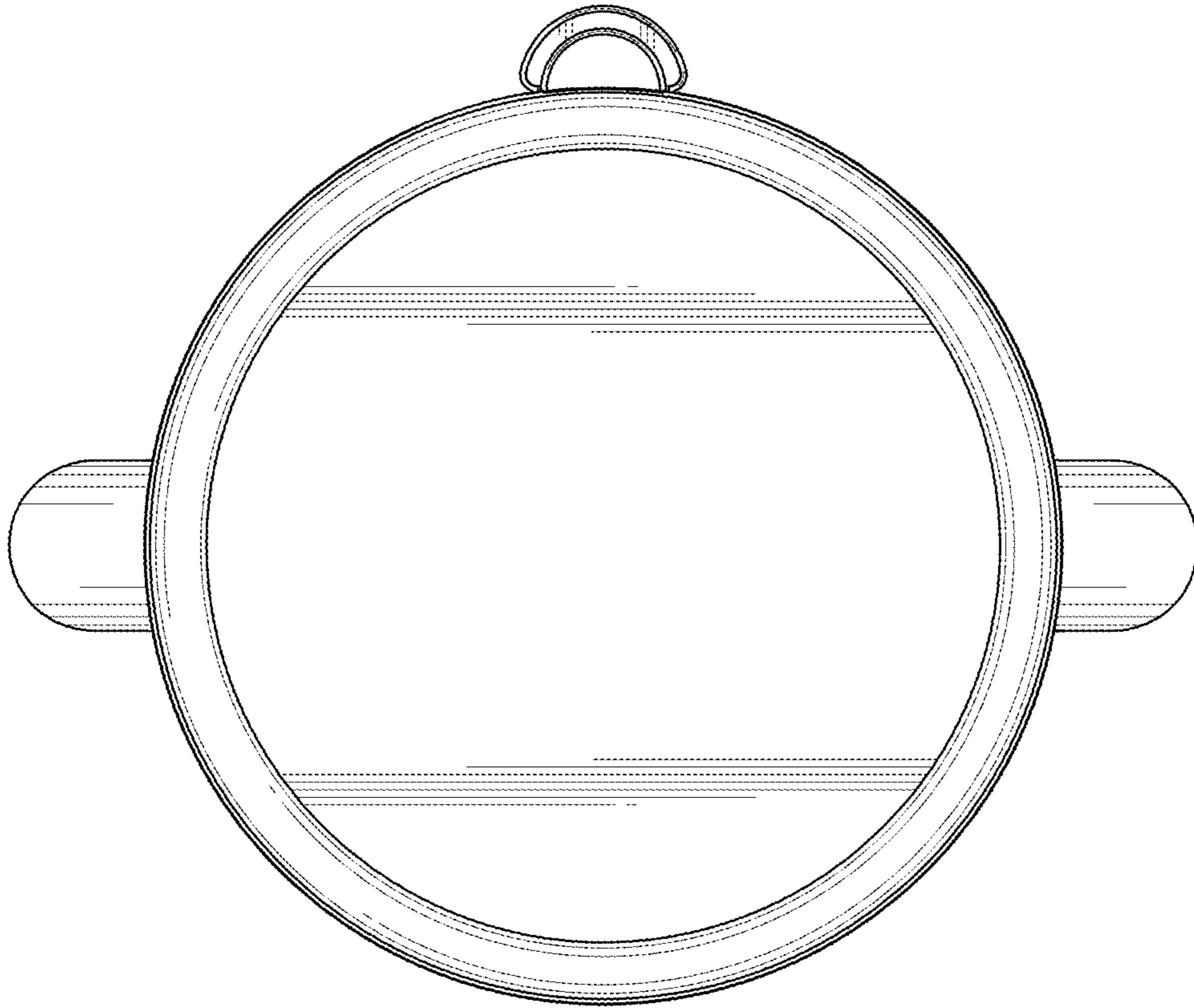


Fig. 7



Fig. 8