



US00D932567S

(12) **United States Design Patent** (10) **Patent No.:** **US D932,567 S**
Kim (45) **Date of Patent:** **** Oct. 5, 2021**

(54) **BLOCK TOY**

(71) Applicant: **Young-Man Kim**, Busan (KR)

(72) Inventor: **Young-Man Kim**, Busan (KR)

(73) Assignee: **Young-Man Kim**, Busan (KR)

(**) Term: **15 Years**

(21) Appl. No.: **29/704,193**

(22) Filed: **Sep. 3, 2019**

(30) **Foreign Application Priority Data**

Feb. 28, 2019 (KR) 30-2019-0009207

(51) **LOC (13) Cl.** **21-01**

(52) **U.S. Cl.**
USPC **D21/658**

(58) **Field of Classification Search**
USPC D11/160; D21/576, 578, 585, 621–623,
D21/630–631, 634, 636–637, 658–661
CPC A63H 3/16; A63H 3/00
See application file for complete search history.

(56) **References Cited**

U.S. PATENT DOCUMENTS

D253,711 S	12/1979	Christiansen et al.	
D278,735 S	5/1985	Nielsen	
4,569,666 A *	2/1986	Wolf	A63H 13/10 446/308
D317,796 S	6/1991	Laursen	
D352,078 S	11/1994	Bertrand	
D366,076 S *	1/1996	Pedersen	D21/621
D539,364 S	3/2007	Sofussen	
D611,108 S *	3/2010	Bodin	D21/621
D680,598 S	4/2013	Geller	

D689,567 S *	9/2013	Pilgaard	D21/621
D689,568 S *	9/2013	Pilgaard	D21/658
D738,966 S	9/2015	Chen	
9,844,734 B2 *	12/2017	Garling	F41B 15/00
D831,130 S	10/2018	Davis	
D845,403 S	4/2019	Davies	
D864,314 S *	10/2019	Kim	D21/621
D879,213 S *	3/2020	Hazzard	D21/621
D887,501 S *	6/2020	Zhan	D21/621
D910,784 S *	2/2021	Wang	D21/658
2014/0227936 A1 *	8/2014	Botterill	A63H 33/062 446/99

FOREIGN PATENT DOCUMENTS

KR 30-0908888 5/2017

* cited by examiner

Primary Examiner — Michael C Stout

Assistant Examiner — Melvin L Davis

(74) *Attorney, Agent, or Firm* — Berenato & White, LLC

(57) **CLAIM**

The ornamental design for a block toy, as shown and described.

DESCRIPTION

FIG. 1 is a front perspective view of a block toy according to my design.

FIG. 2 is a front elevational view thereof;

FIG. 3 is an elevational rear view thereof;

FIG. 4 is a left-side elevational view thereof;

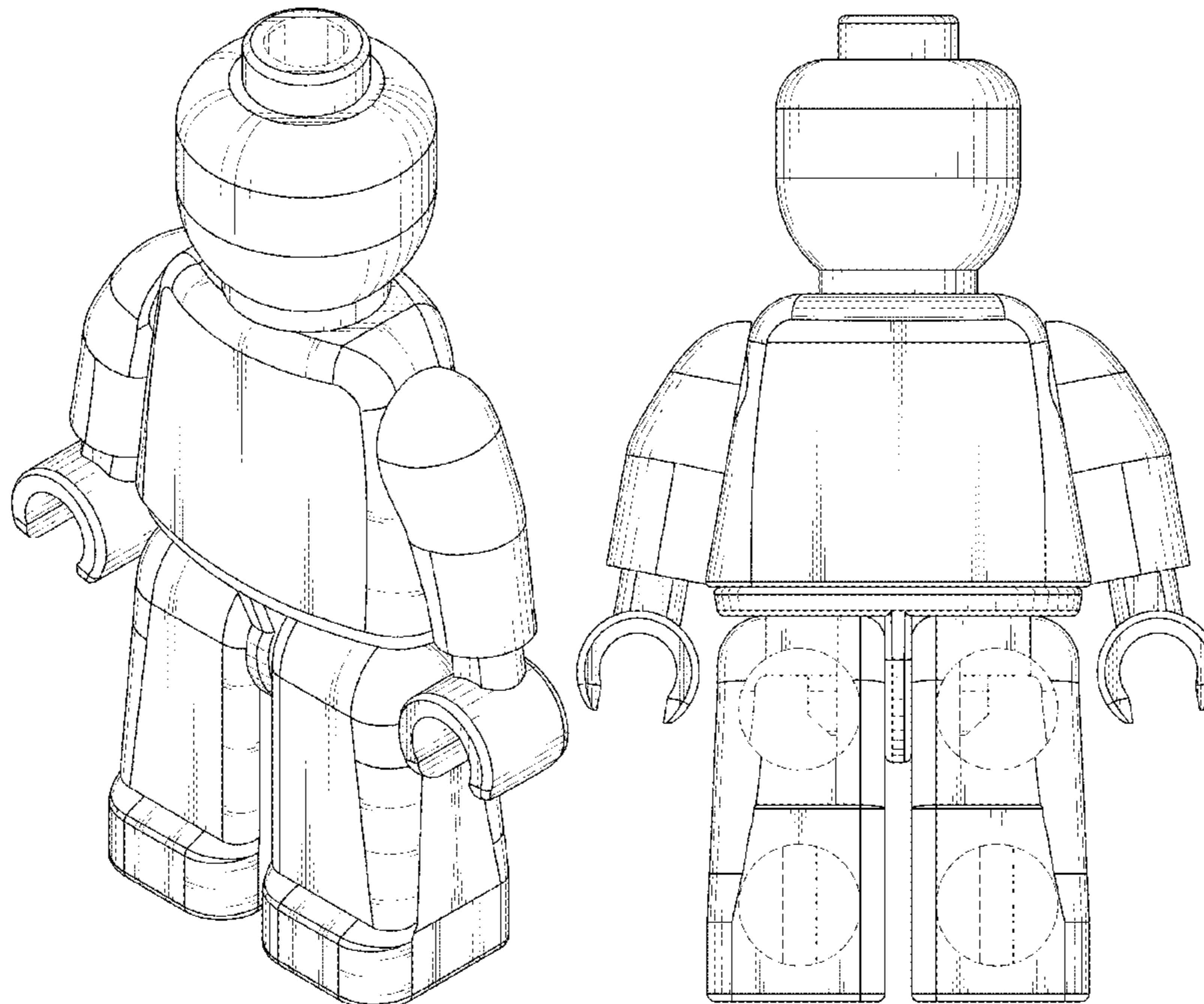
FIG. 5 is a right-side elevational view thereof;

FIG. 6 is a top plan view thereof; and,

FIG. 7 is a bottom plan view thereof.

Broken lines in the drawings depict portions of the block toy that form no part of the claimed invention.

1 Claim, 7 Drawing Sheets



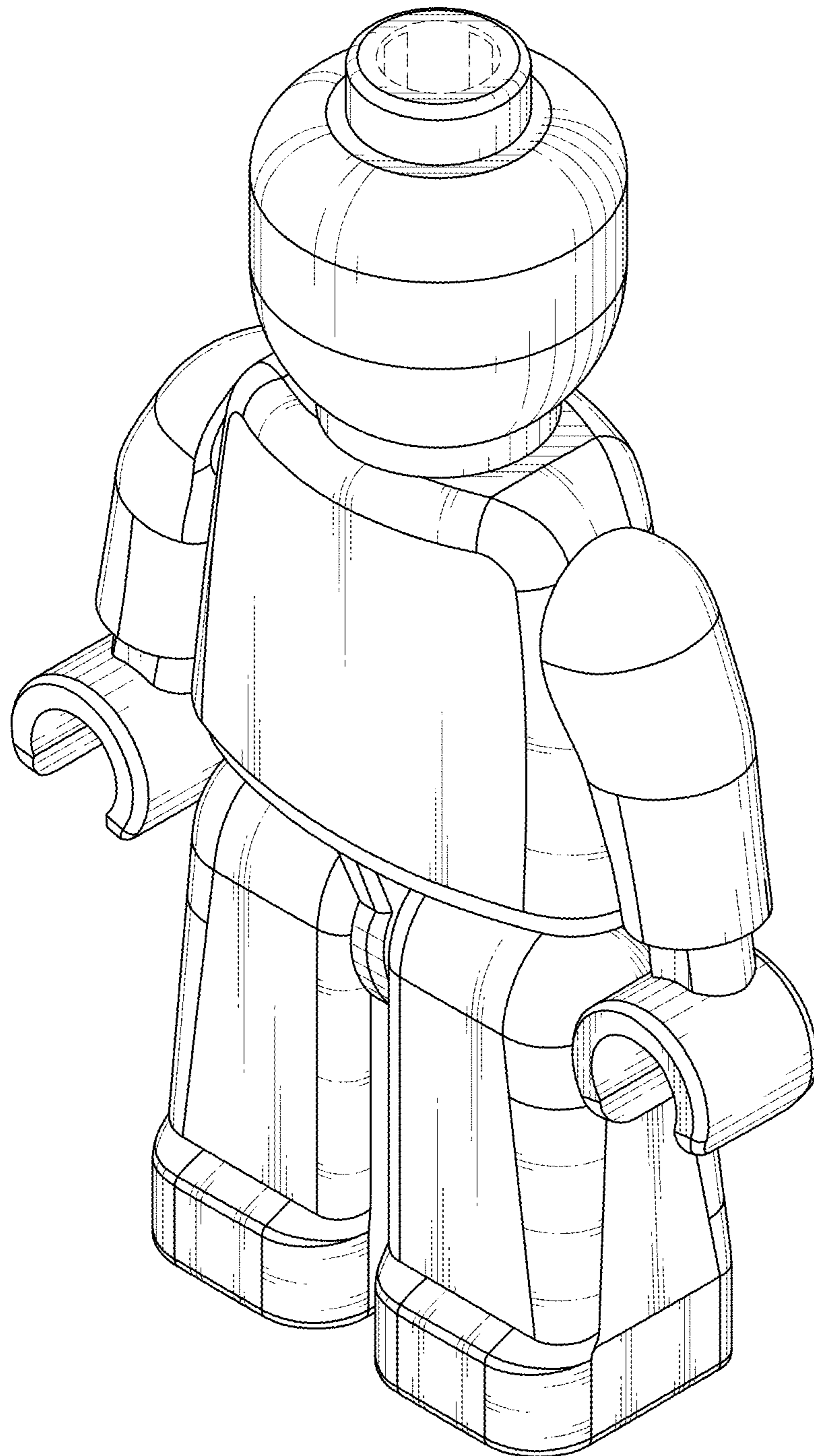


FIG. 1

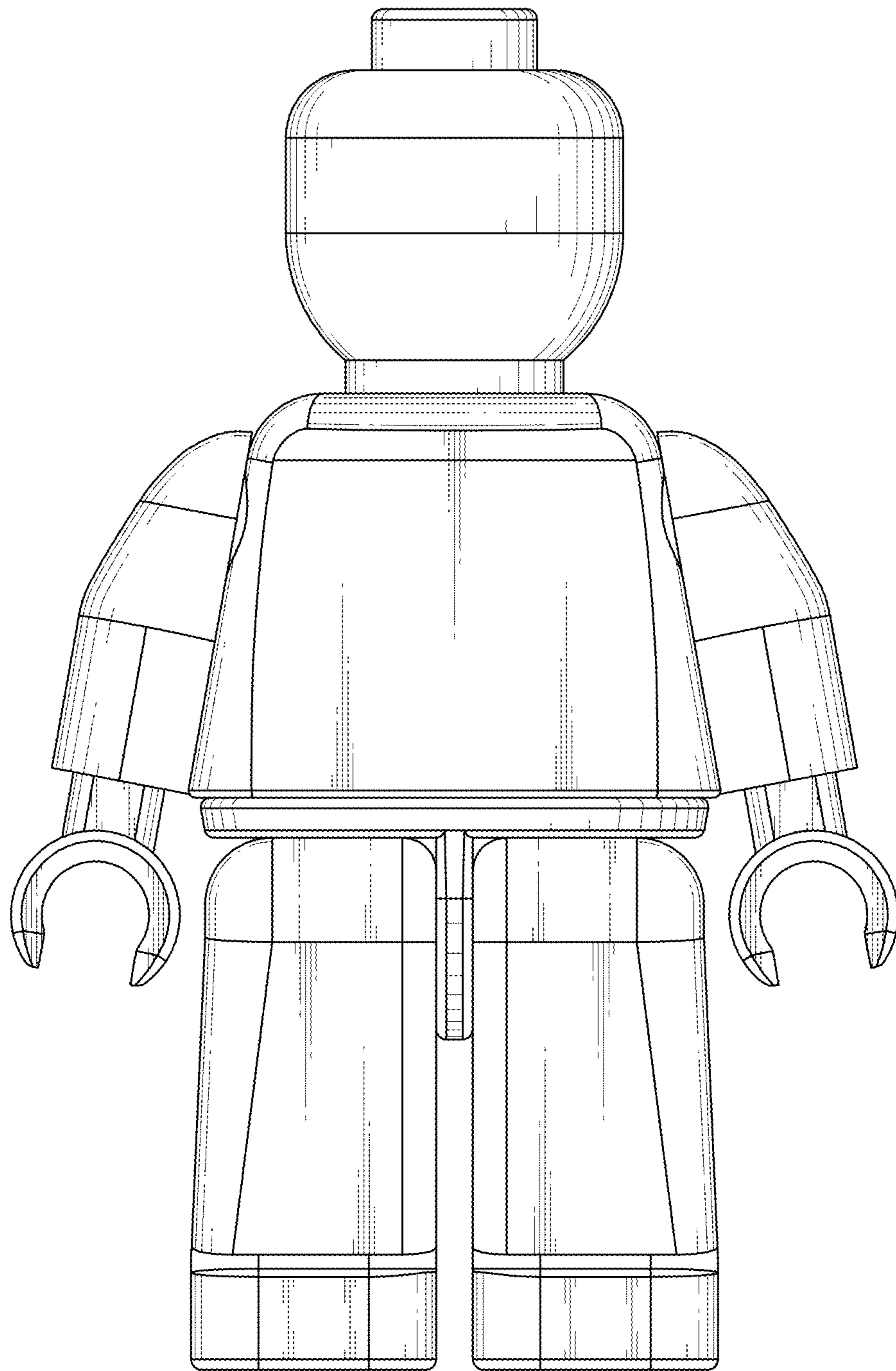


FIG. 2

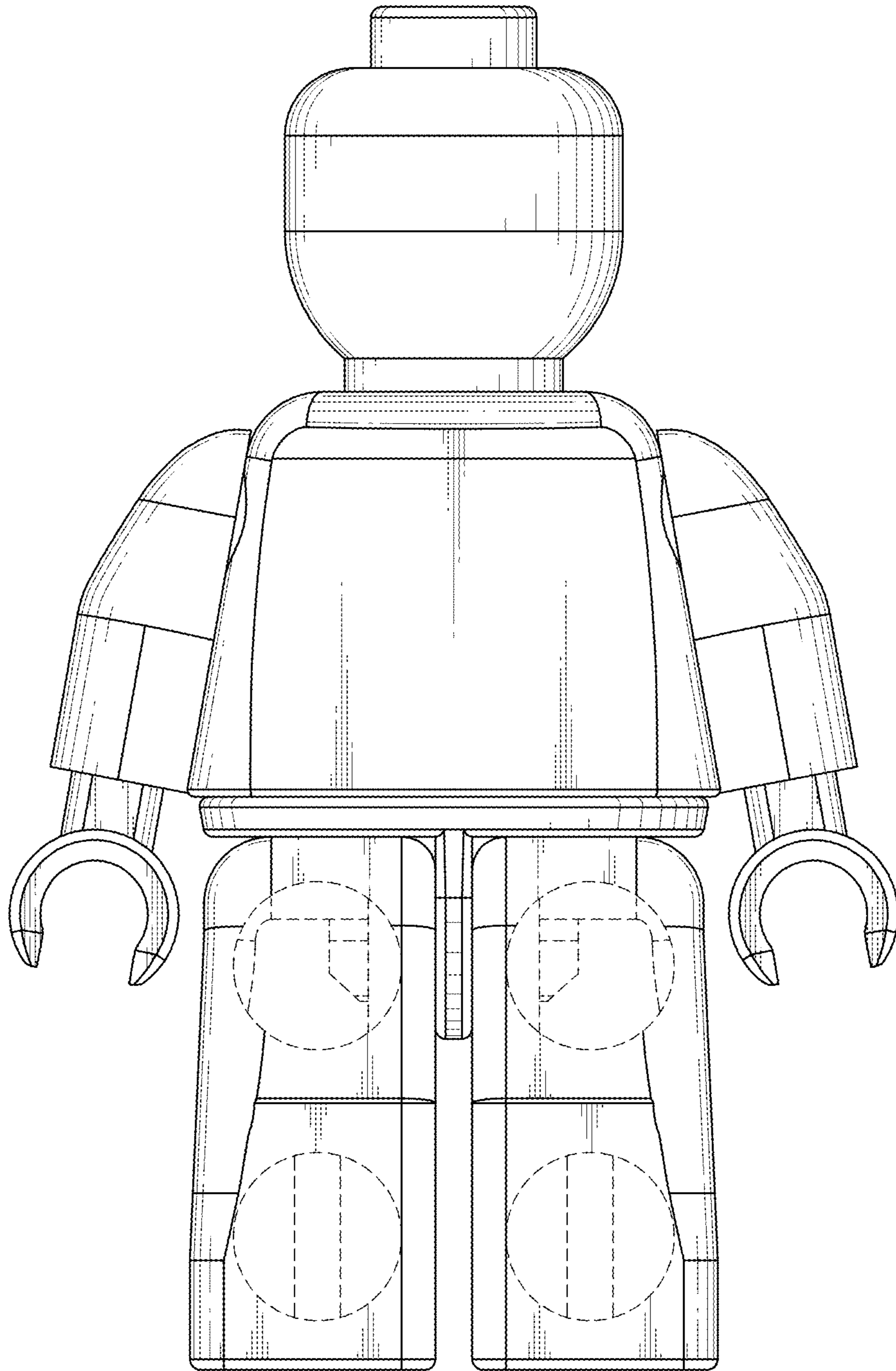


FIG. 3

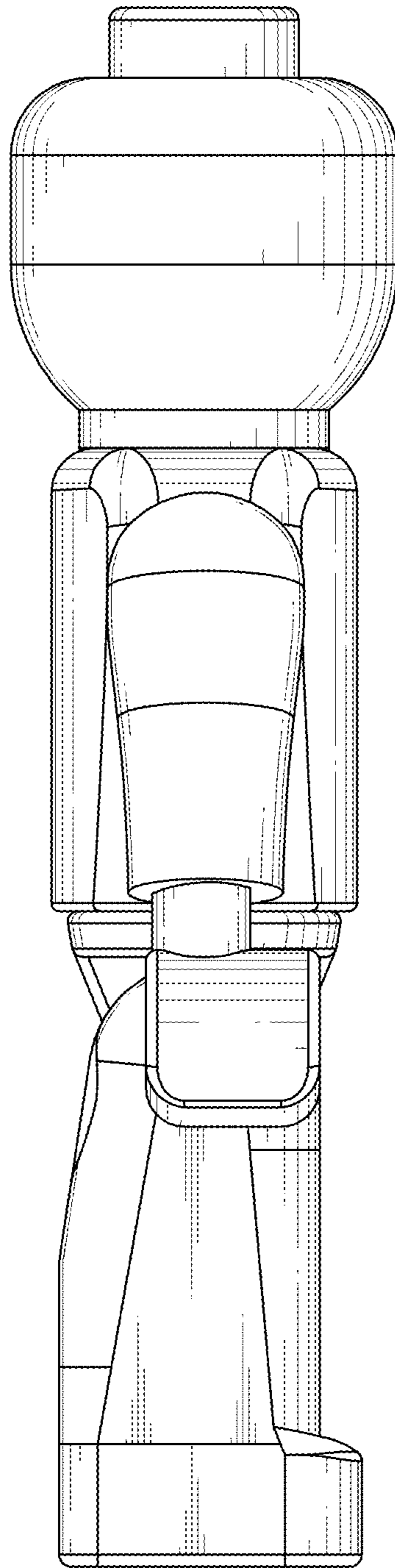


FIG. 4

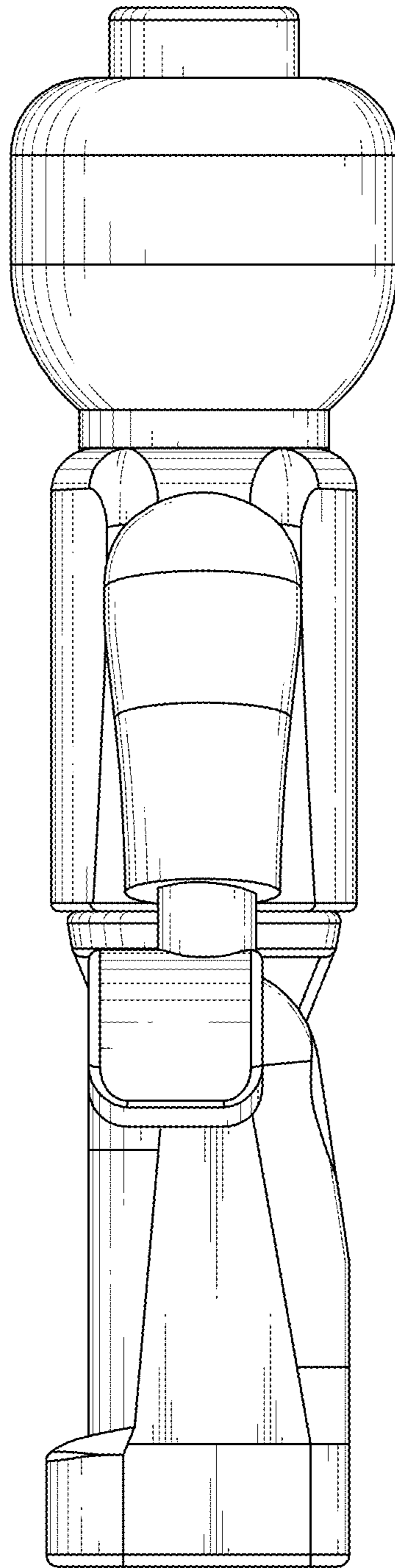


FIG. 5

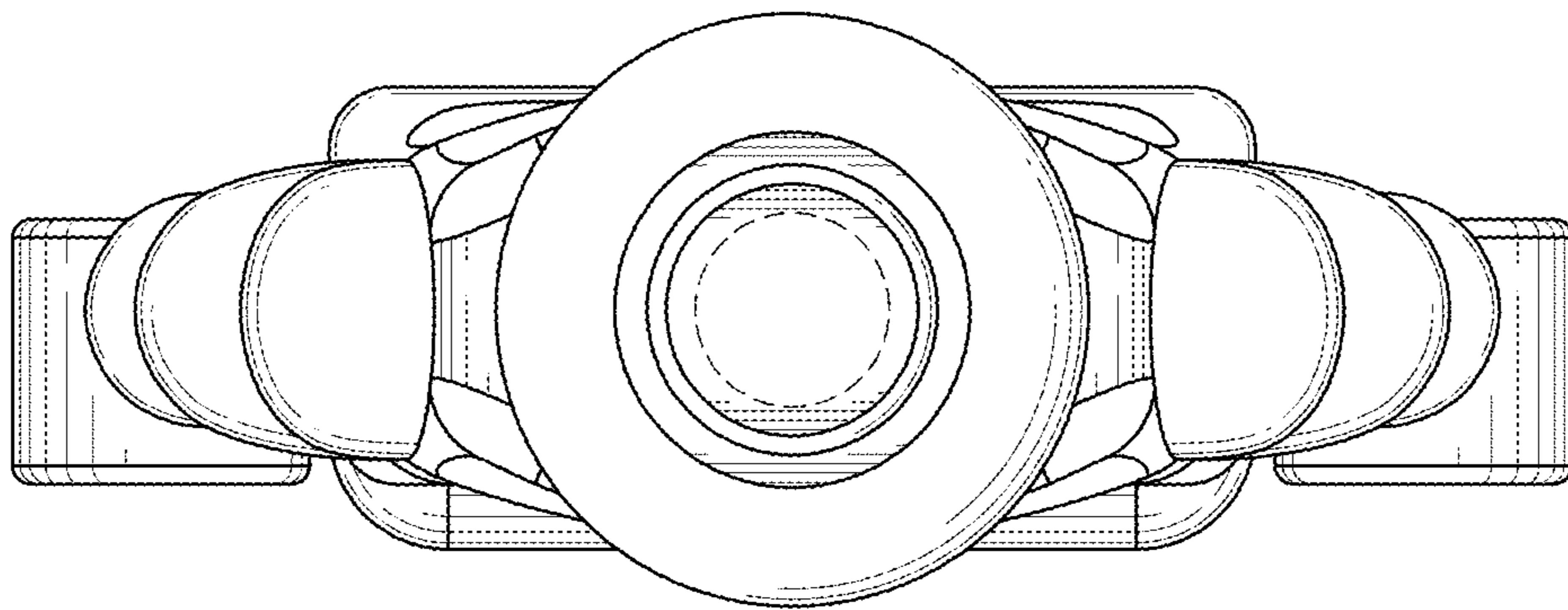


FIG. 6

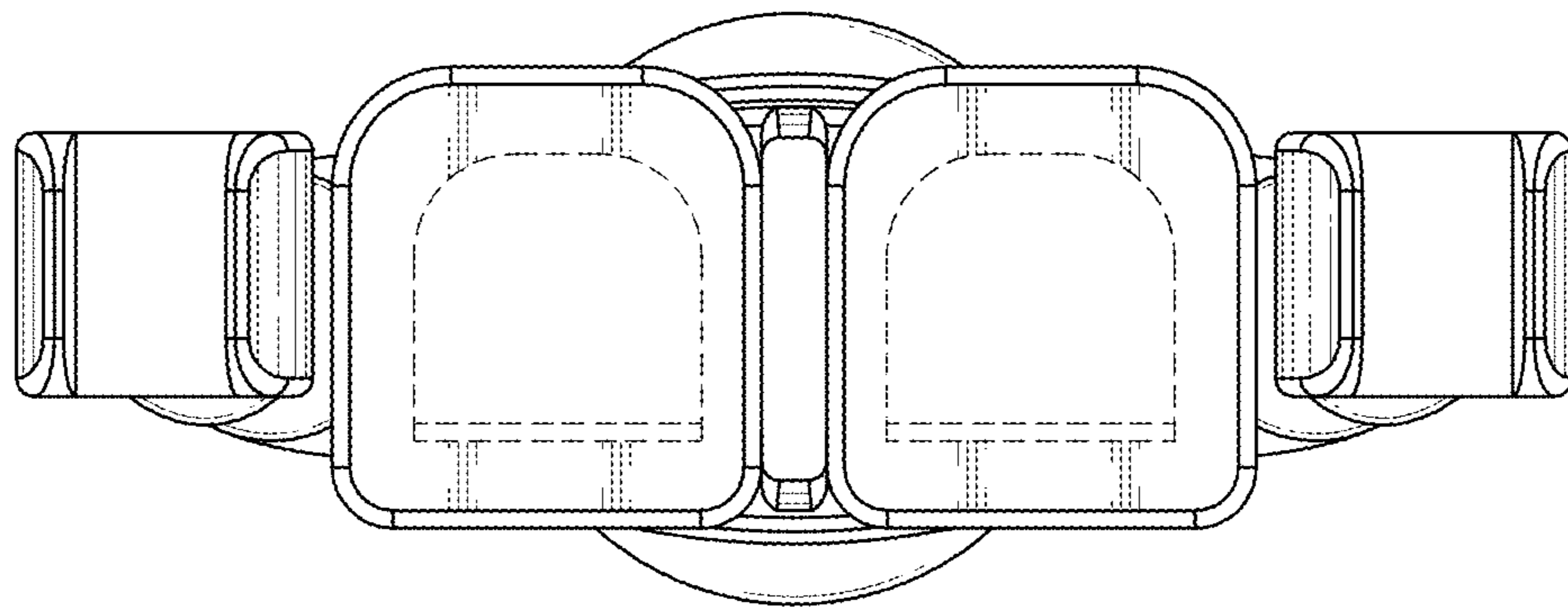


FIG. 7