



US00D932566S

(12) **United States Design Patent** (10) **Patent No.:** **US D932,566 S**
Chen (45) **Date of Patent:** **** Oct. 5, 2021**

(54) **TOY CAR CARRIER**
(71) Applicant: **Bo Chen**, Guangdong (CN)
(72) Inventor: **Bo Chen**, Guangdong (CN)
(73) Assignee: **Shantou P&C Plastic Products Company Limited**, Shantou (CN)
(**) Term: **15 Years**

D246,480 S * 11/1977 Asano D21/556
D425,142 S * 5/2000 Wei D21/552
D871,513 S * 12/2019 Chen D21/556
D872,812 S * 1/2020 Chen D21/552

FOREIGN PATENT DOCUMENTS

CN 303208526 * 5/2015
FR 112371-013 * 5/1974
FR 112371-020 * 5/1974

(21) Appl. No.: **29/689,935**
(22) Filed: **May 3, 2019**
(30) **Foreign Application Priority Data**

Dec. 27, 2018 (CN) 201830759537.5

(51) **LOC (13) Cl.** **21-01**

(52) **U.S. Cl.**
USPC **D21/556**; D12/93; D12/94

(58) **Field of Classification Search**
USPC D12/13-15, 82, 83, 86, 88, 89, 90, 91,
D12/93, 94, 95, 97, 98, 99; D21/424,
D21/427, 433, 434, 477, 483, 533, 535,
D21/548-563, 580, 581; 296/181.1,
296/181.5, 181.3, 183.1, 37.6, 177, 178,
296/180; 446/88, 93, 95, 102, 448
CPC B60R 9/06; B62D 35/00; B60C 2200/20;
B62L 35/0033; A63H 17/162; A63H
17/262; A63H 17/264; A63H 17/38;
A63H 17/004; A63H 17/26; A63H
17/266; A63H 17/36; A63H 29/00; A63H
29/22; A63H 29/24; A63H 30/04; B62B
5/0033

See application file for complete search history.

(56) **References Cited**

U.S. PATENT DOCUMENTS

D179,840 S * 3/1957 Eitel D34/34
3,738,057 A * 6/1973 Ogasawara A63H 17/12
446/425

OTHER PUBLICATIONS

“Friction Powered Transport Car Carrier Truck,” May 18, 2018, amazon.com, site visited Apr. 2, 2021, URL: <https://www.amazon.com/Liberty-Imports-Friction-Powered-Carrier/dp/B01N385EEM> (Year: 2018).*

(Continued)

Primary Examiner — Eric L Goodman

Assistant Examiner — Sarah L Smith

(74) *Attorney, Agent, or Firm* — Minder Law Group; Willy H. Wong

(57) **CLAIM**

The ornamental design for a toy car carrier, as shown and described.

DESCRIPTION

FIG. 1 is a front view of a toy car carrier in accordance with the present invention.

FIG. 2 is a back view thereof.

FIG. 3 is a left view thereof.

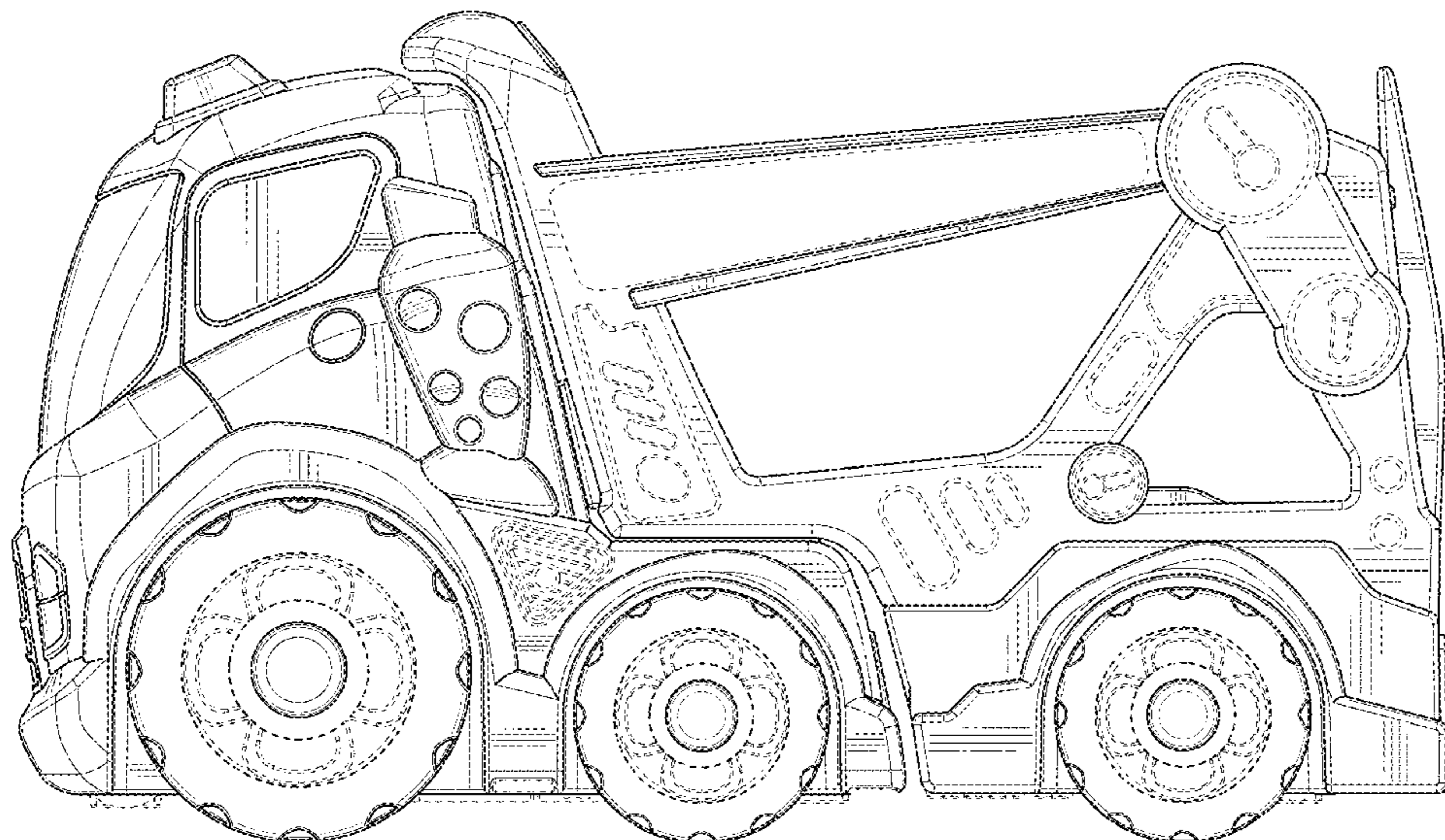
FIG. 4 is a right view thereof.

FIG. 5 is a top view thereof; and,

FIG. 6 is a bottom view thereof.

The broken lines show portions of the toy car carrier that form no part of the claimed design.

1 Claim, 6 Drawing Sheets



(56)

References Cited

OTHER PUBLICATIONS

“Toy Cars and Trucks for Children,” Apr. 23, 2016, youtube.com, site visited Apr. 2, 2021, URL: https://www.youtube.com/watch?v=CoZtkl4_r3o (Year: 2016).*

“Melissa & Doug 4610 Emergency Vehicle Carrier,” Mar. 21, 2018, amazon.com/au, site visited Apr. 5, 2021, URL: https://www.amazon.com.au/Melissa-Doug-Emergency-Vehicle-Carrier/dp/B074NJZK3W/ref=sr_1_65?dchild=1&keywords=fire+truck&qid=1617622493&sr=8-65 (Year: 2018).*

* cited by examiner

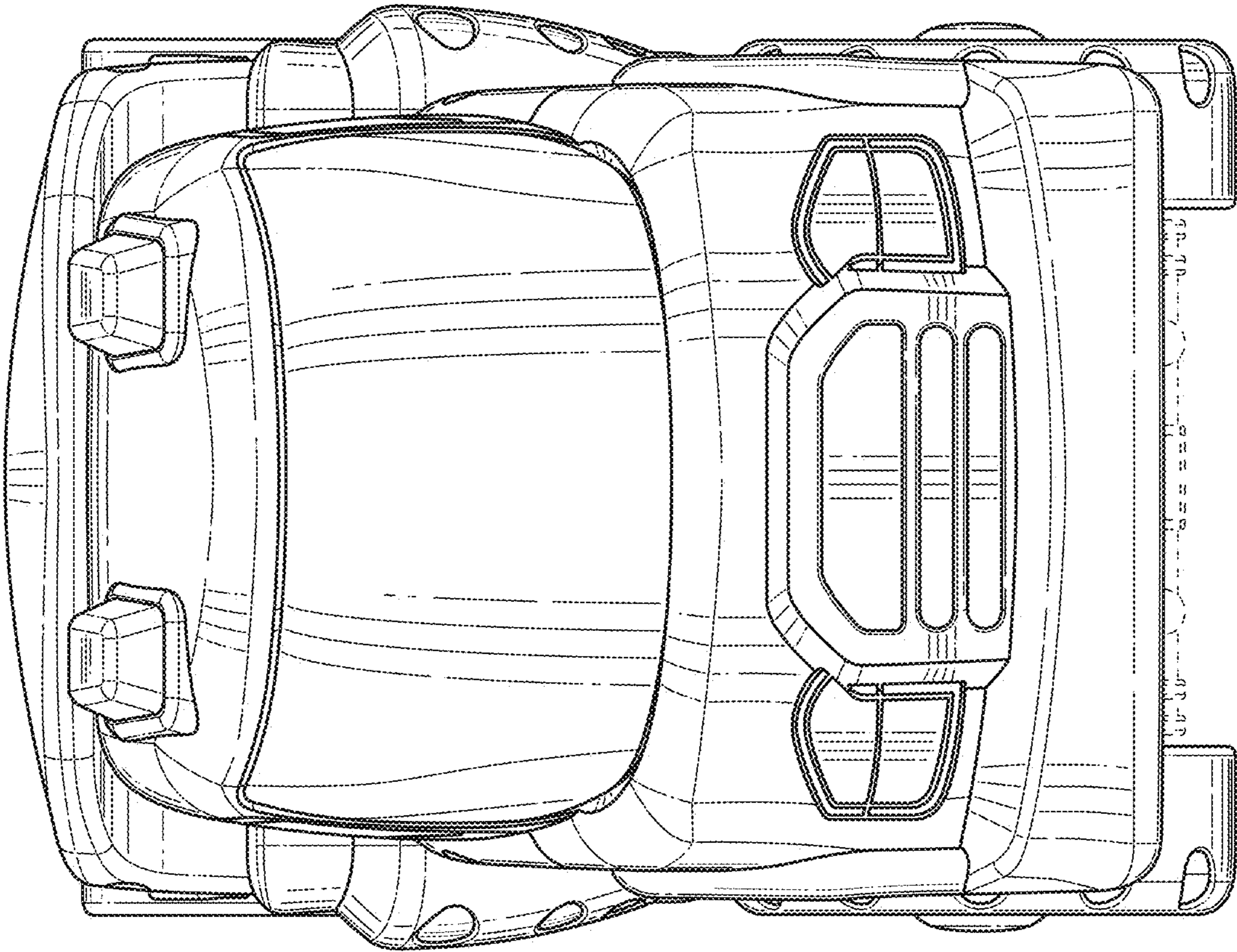


FIG. 1

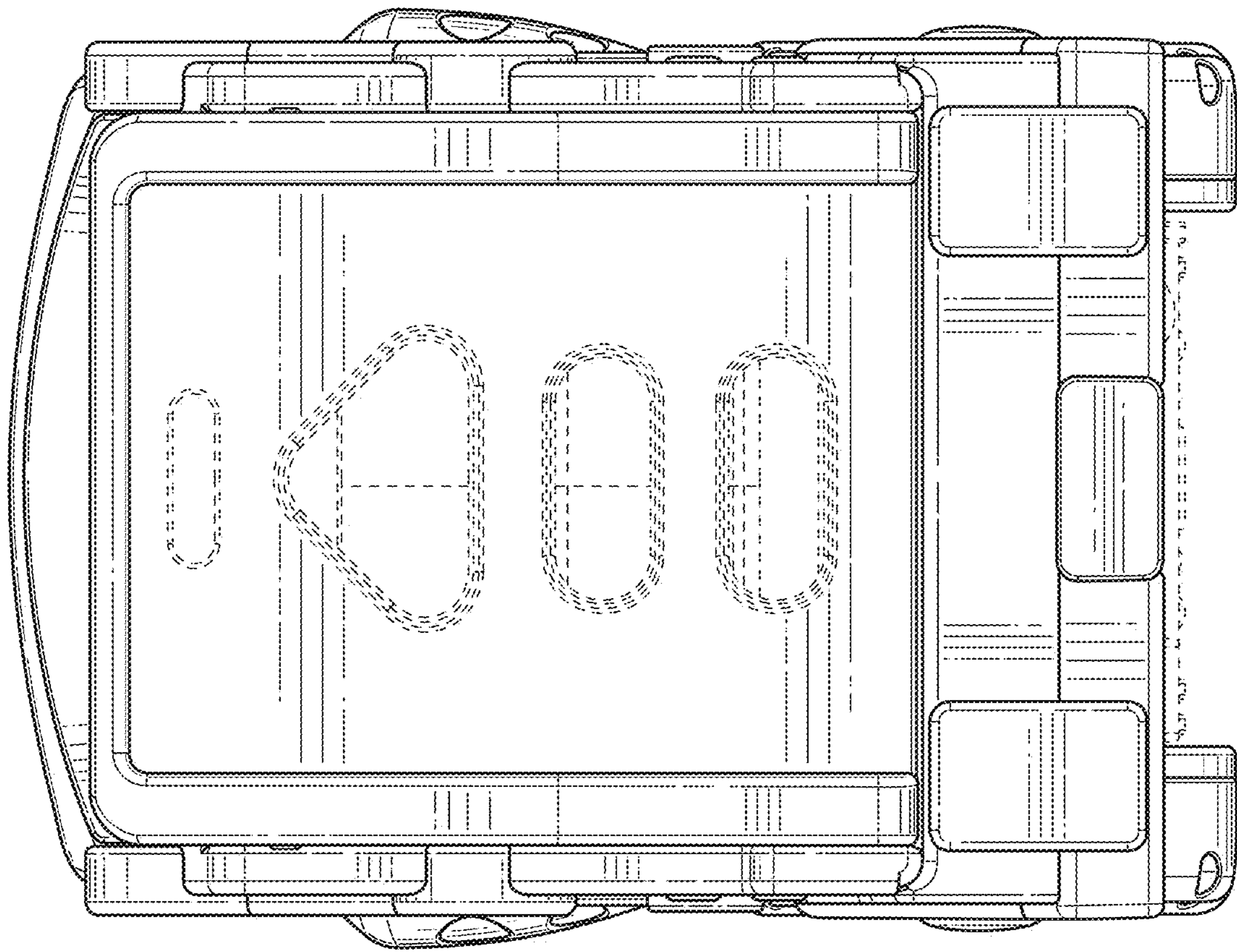


FIG. 2

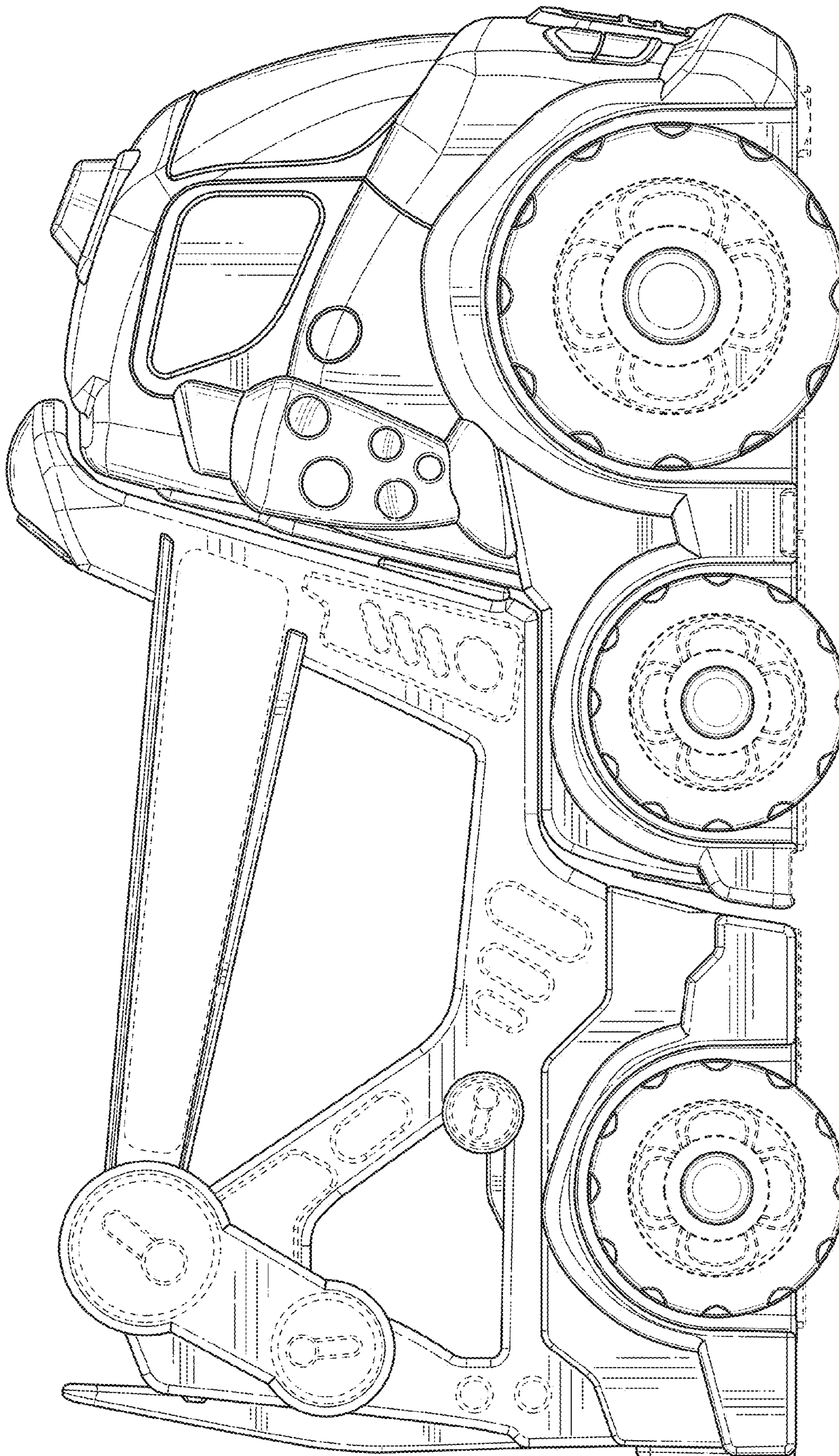


FIG. 3

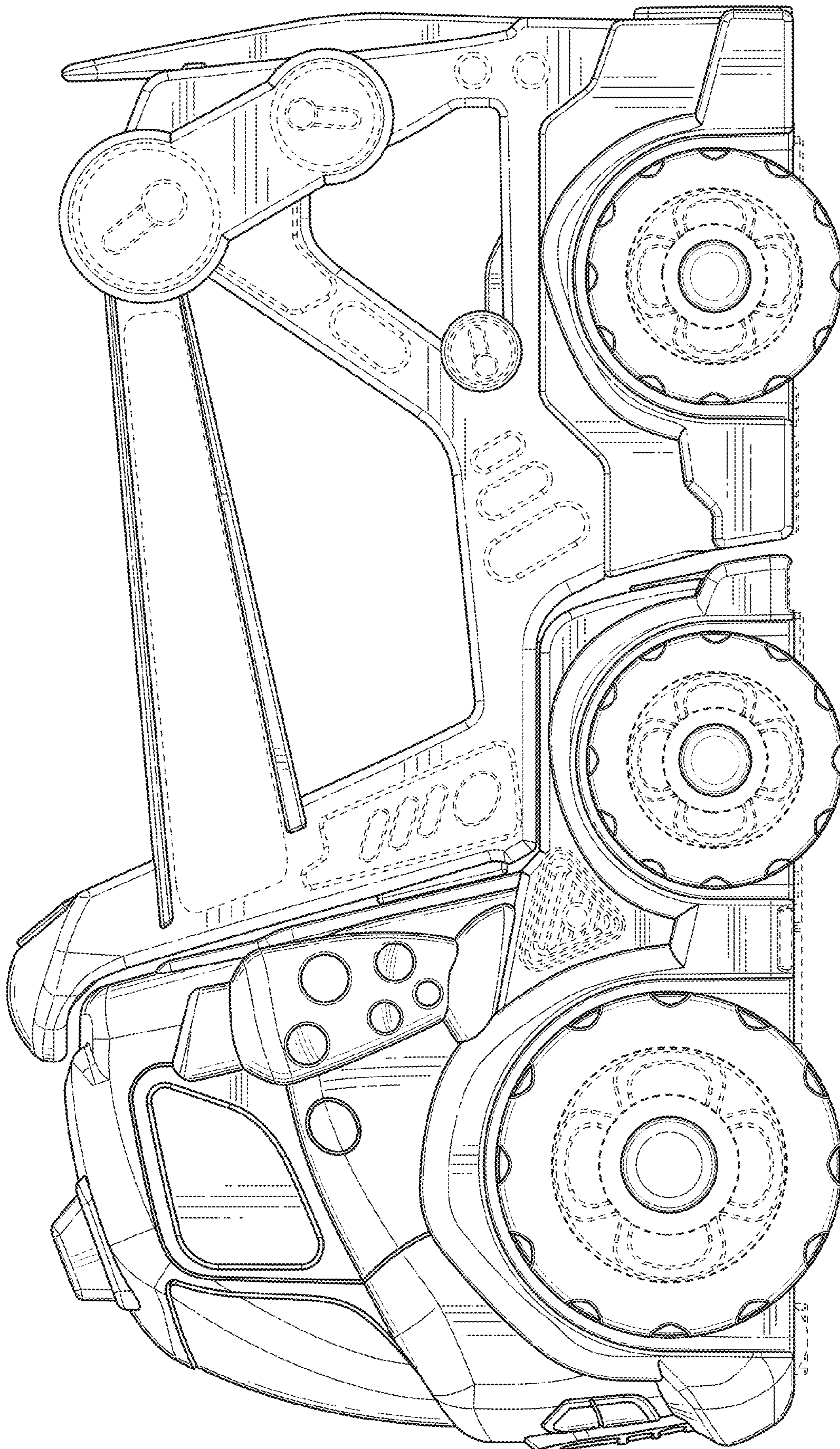


FIG. 4

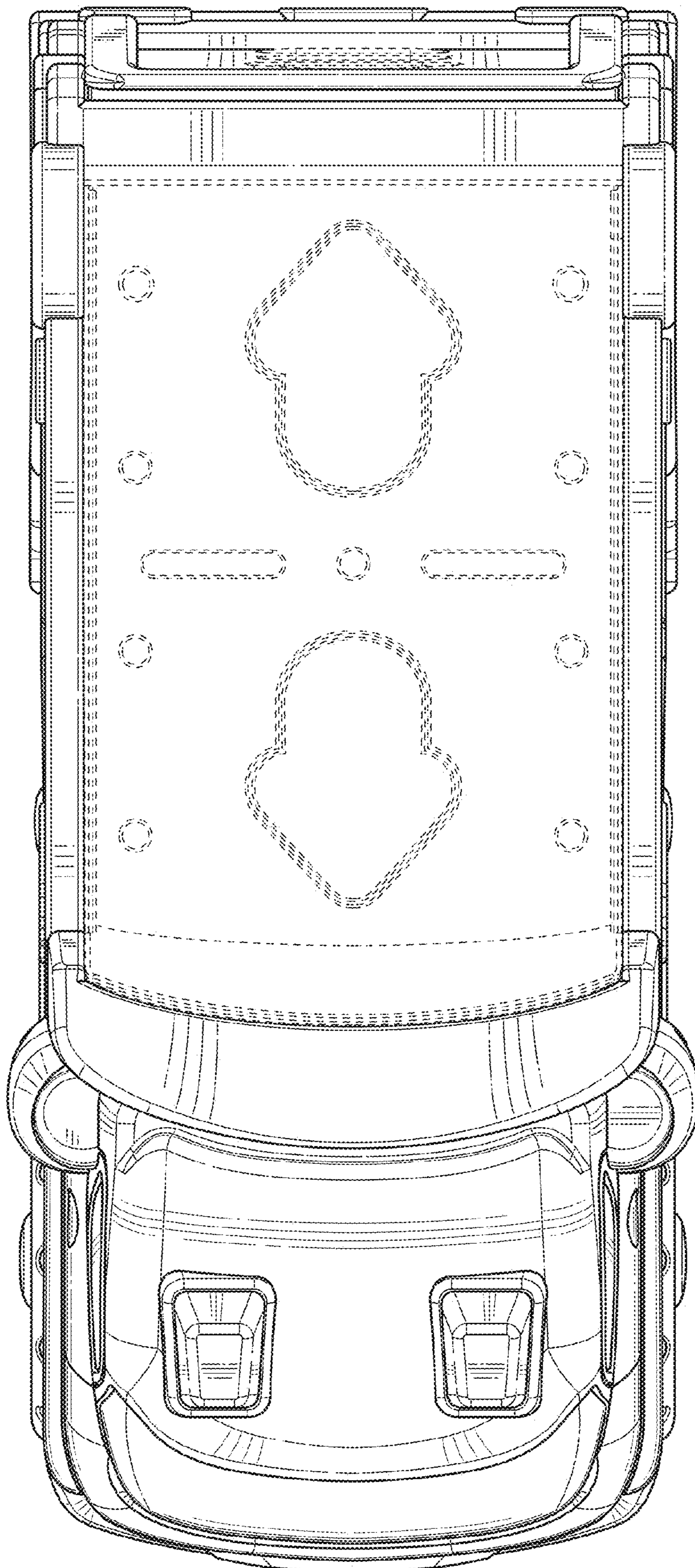


FIG. 5

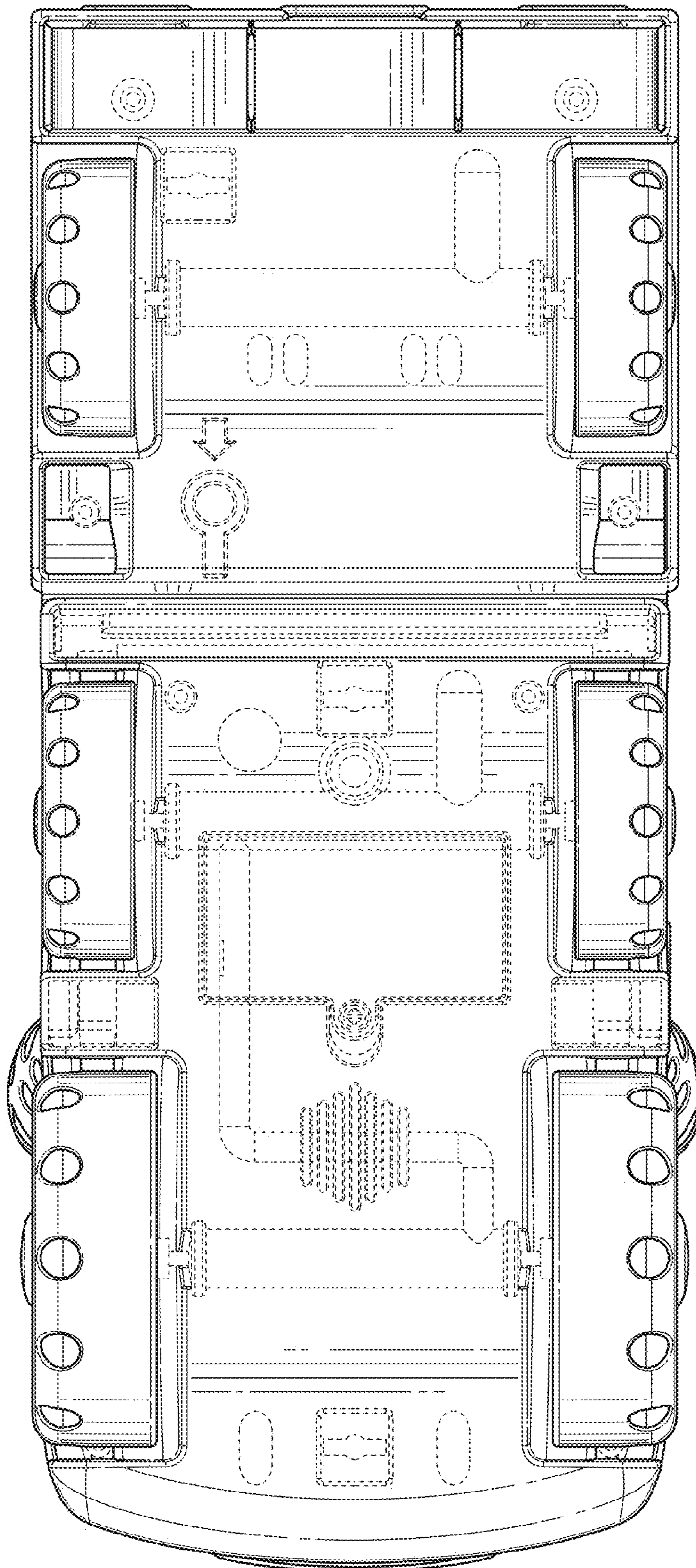


FIG. 6