



US00D932565S

(12) **United States Design Patent**  
**Chen**

(10) **Patent No.:** **US D932,565 S**  
(45) **Date of Patent:** **\*\* Oct. 5, 2021**

(54) **TOY DUMP TRUCK**  
(71) Applicant: **Bo Chen**, Guangdong (CN)  
(72) Inventor: **Bo Chen**, Guangdong (CN)

3,738,057 A \* 6/1973 Ogasawara ..... A63H 17/12  
446/425  
4,270,305 A \* 6/1981 Samuels ..... A63H 17/262  
446/125

(Continued)

(73) Assignee: **Shantou P&C Plastic Products Company Limited**, Shantou (CN)

FOREIGN PATENT DOCUMENTS

(\*\*) Term: **15 Years**

CN 302176449 \* 11/2012  
CN 302798335 \* 4/2014

(Continued)

(21) Appl. No.: **29/689,936**

(22) Filed: **May 3, 2019**

OTHER PUBLICATIONS

(30) **Foreign Application Priority Data**

Dec. 27, 2018 (CN) ..... 201830759948.4

(51) **LOC (13) Cl.** ..... **21-01**

(52) **U.S. Cl.**  
USPC ..... **D21/554**

(58) **Field of Classification Search**  
USPC ..... D12/13-15, 82, 83, 86, 88, 89, 90, 91,  
D12/93, 94, 95, 97, 98, 99; D21/424,  
D21/427, 433, 434, 477, 483, 533, 535,  
D21/548-563, 580, 581; 296/181.1,  
296/181.5, 181.3, 183.1, 37.6, 177, 178,  
296/180; 446/88, 93, 95, 102, 448  
CPC ..... B60R 9/06; B62D 35/00; B60C 2200/20;  
B62L 35/0033; A63H 17/162; A63H  
17/262; A63H 17/264; A63H 17/38;  
A63H 17/004; A63H 17/26; A63H  
17/266; A63H 17/36; A63H 29/00; A63H  
29/22; A63H 29/24; A63H 30/04; B62B  
5/0033

“Orange SIKU 0811 Diecast Garbage Dump Truck,” Nov. 8, 2017  
(in review), extrucktoys.com, site visited Apr. 2, 2021, URL:  
<http://www.eztrucktoys.com/kids-mini-orange-siku-0811-diecast-garbage-dump-truck-toy-p-249.html> (Year: 2017).\*

(Continued)

*Primary Examiner* — Eric L Goodman  
*Assistant Examiner* — Sarah L Smith  
(74) *Attorney, Agent, or Firm* — Minder Law Group;  
Willy H. Wong

(57) **CLAIM**

The ornamental design for a toy dump truck, as shown and described.

**DESCRIPTION**

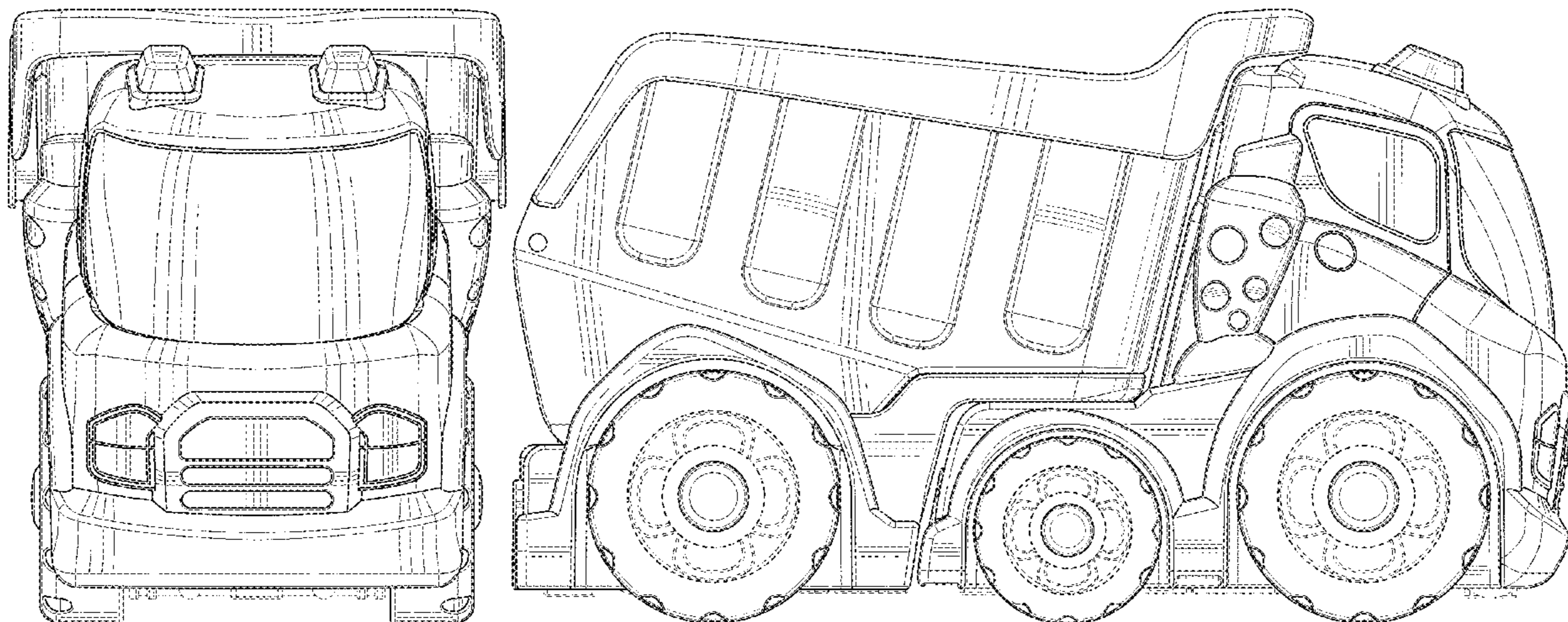
FIG. 1 is a front view of a toy dump truck in accordance with the present invention.  
FIG. 2 is a back view thereof.  
FIG. 3 is a left view thereof.  
FIG. 4 is a right view thereof.  
FIG. 5 is a top view thereof; and,  
FIG. 6 is a bottom view thereof.  
The broken lines show portions of the toy dump truck that form no part of the claimed design.

(56) **References Cited**

U.S. PATENT DOCUMENTS

3,462,879 A \* 8/1969 Fahrendorff ..... A63H 17/06  
446/428  
3,659,378 A \* 5/1972 Tong ..... A63H 17/395  
446/90

**1 Claim, 6 Drawing Sheets**



(56)

References Cited

U.S. PATENT DOCUMENTS

5,727,983 A \* 3/1998 Koldste ..... A63H 33/042  
 446/428  
 D416,952 S \* 11/1999 Wei ..... D21/554  
 D424,134 S \* 5/2000 Hollis ..... D21/556  
 6,371,534 B1 \* 4/2002 Olson ..... B62D 25/10  
 292/87  
 D868,174 S \* 11/2019 Chen ..... D21/552  
 D868,175 S \* 11/2019 Chen ..... D21/552  
 D872,812 S \* 1/2020 Chen ..... D21/552  
 D873,927 S \* 1/2020 Bloch ..... D21/522  
 2008/0268746 A1 \* 10/2008 Amadio ..... A63H 17/06  
 446/471

FOREIGN PATENT DOCUMENTS

CN 304620336 \* 5/2018  
 FR 112371-016 \* 5/1974

OTHER PUBLICATIONS

“Diecast Scania Dump Garbage,” Mar. 5, 2017 (in review), eztrucktoys.com, site visited Apr. 2, 2021, URL: <http://www.eztrucktoys.com/kids-green-143-scale-diecast-scania-dump-garbage-truck-toy-p-218.html> (Year: 2017).\*

“Wonder Wheels by Battat,” Jun. 20, 2018, amazon.com, site visited Apr. 2, 2021, URL: [https://www.amazon.com/Wonder-Wheels-Battat-Cement-Toddlers/dp/B07BF1LYKJ/ref=sr\\_1\\_71?dchild=1&keywords=toy+tow+trucks&qid=1617379488&sr=8-71](https://www.amazon.com/Wonder-Wheels-Battat-Cement-Toddlers/dp/B07BF1LYKJ/ref=sr_1_71?dchild=1&keywords=toy+tow+trucks&qid=1617379488&sr=8-71) (Year: 2018).\*

“Liberty Imports 15 inches Oversized Friction Dump,” Jan. 18, 2018, amazon.com/au, site visited Apr. 5, 2021, URL: [https://www.amazon.com.au/Large-Friction-Truck-Construction-Vehicle/dp/B01N2PJV1X/ref=sr\\_1\\_71?dchild=1&keywords=toy+dump+truck&qid=1617620649&sr=8-71](https://www.amazon.com.au/Large-Friction-Truck-Construction-Vehicle/dp/B01N2PJV1X/ref=sr_1_71?dchild=1&keywords=toy+dump+truck&qid=1617620649&sr=8-71) (Year: 2018).\*

\* cited by examiner

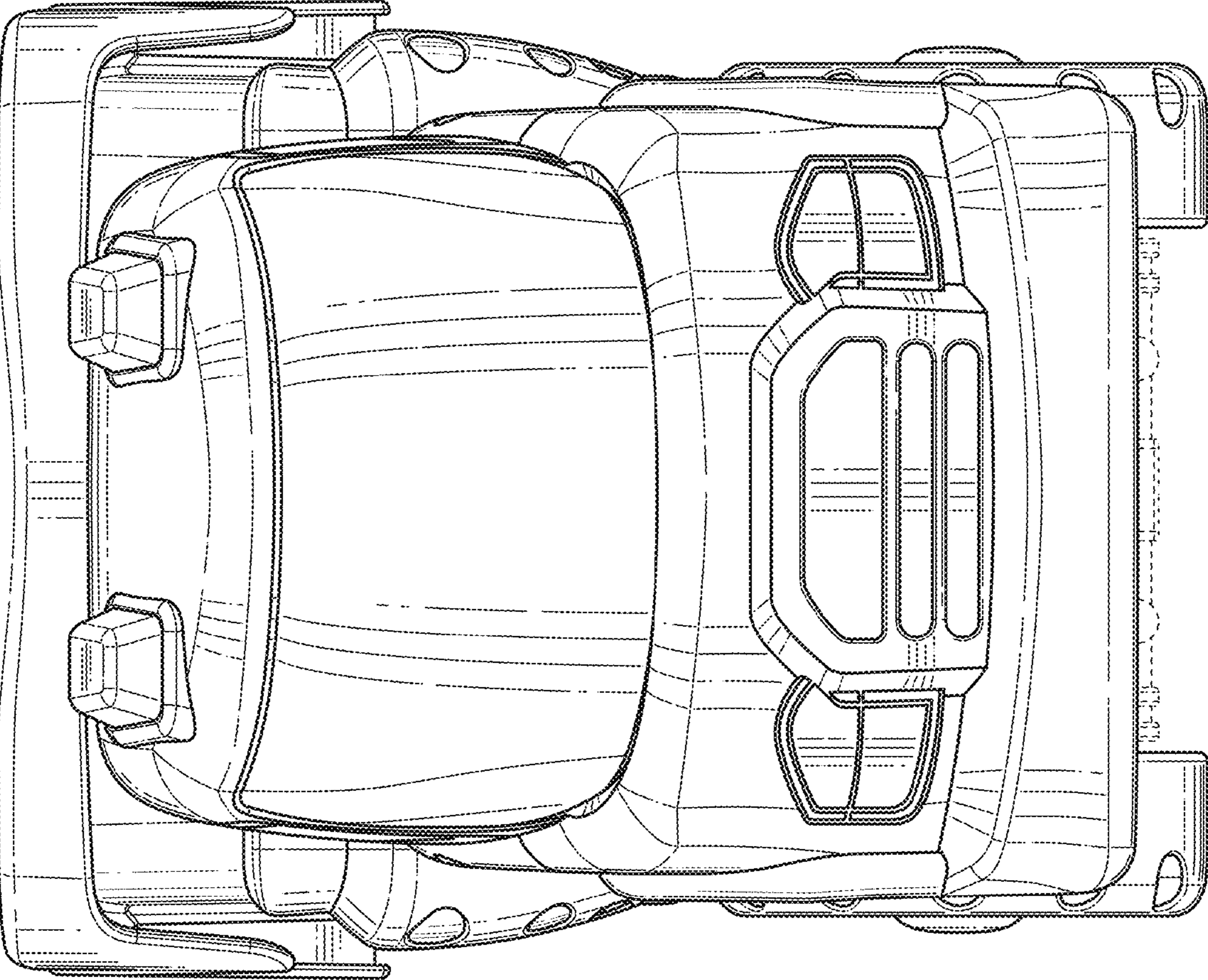


FIG. 1

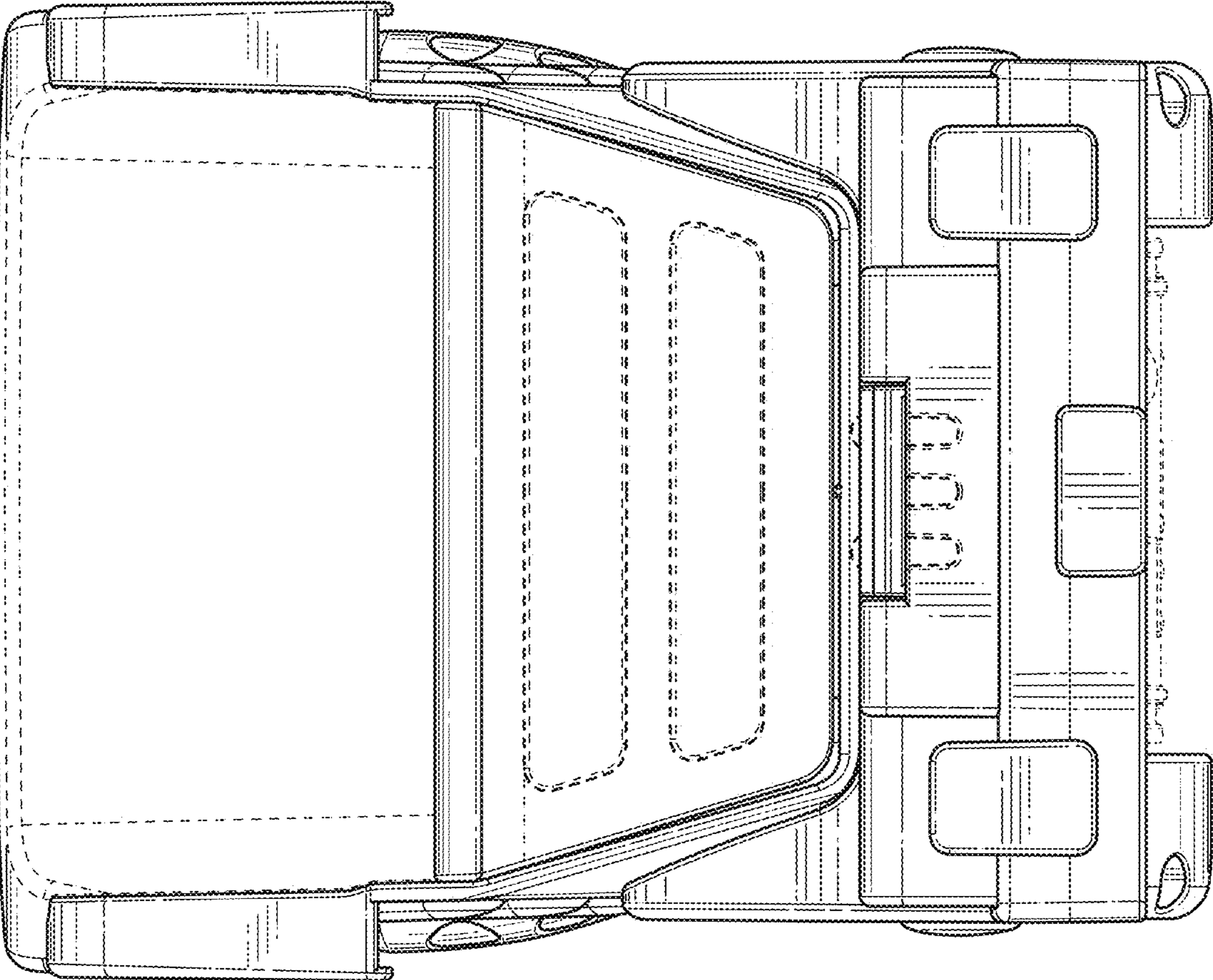


FIG. 2

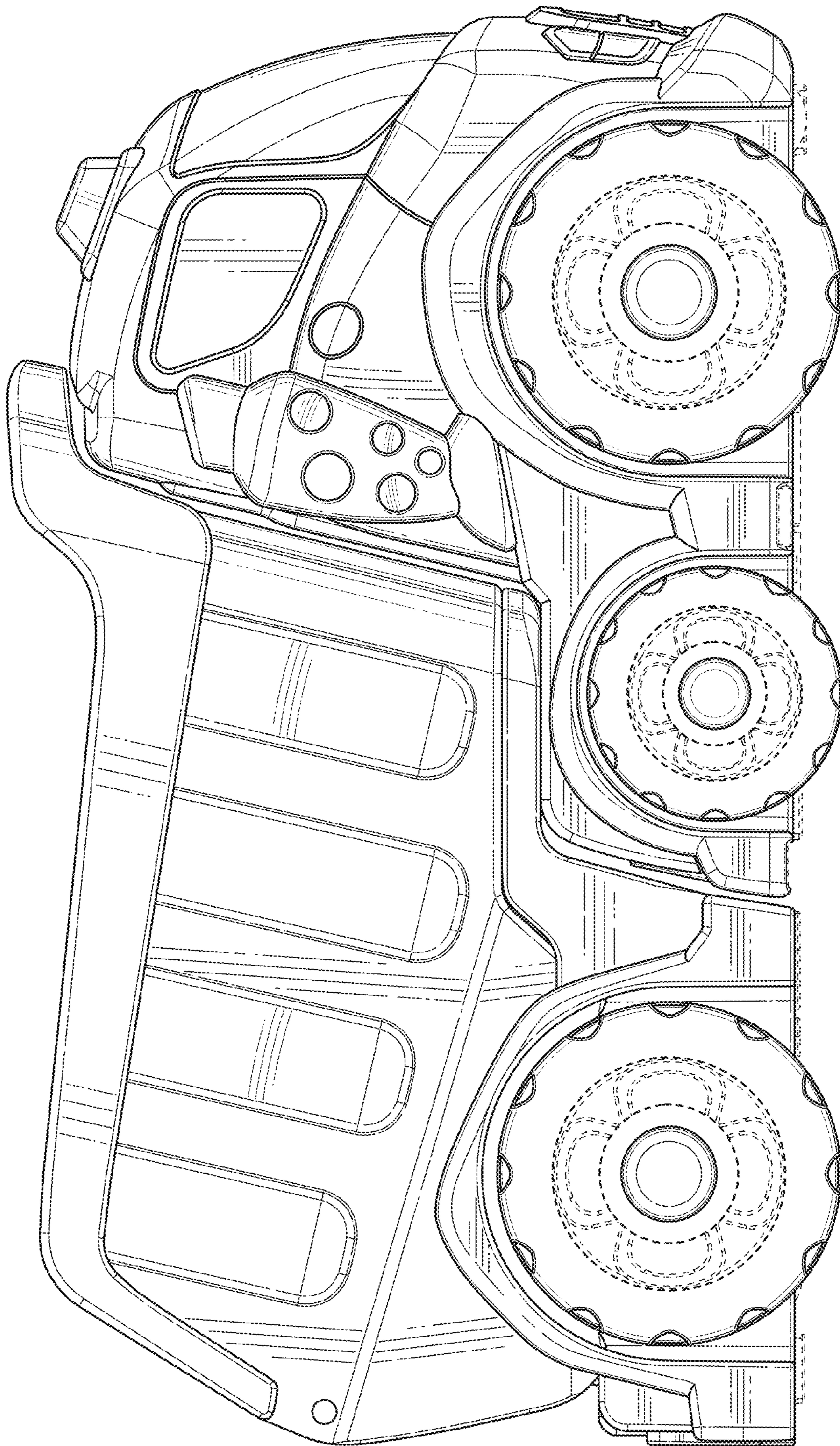


FIG. 3

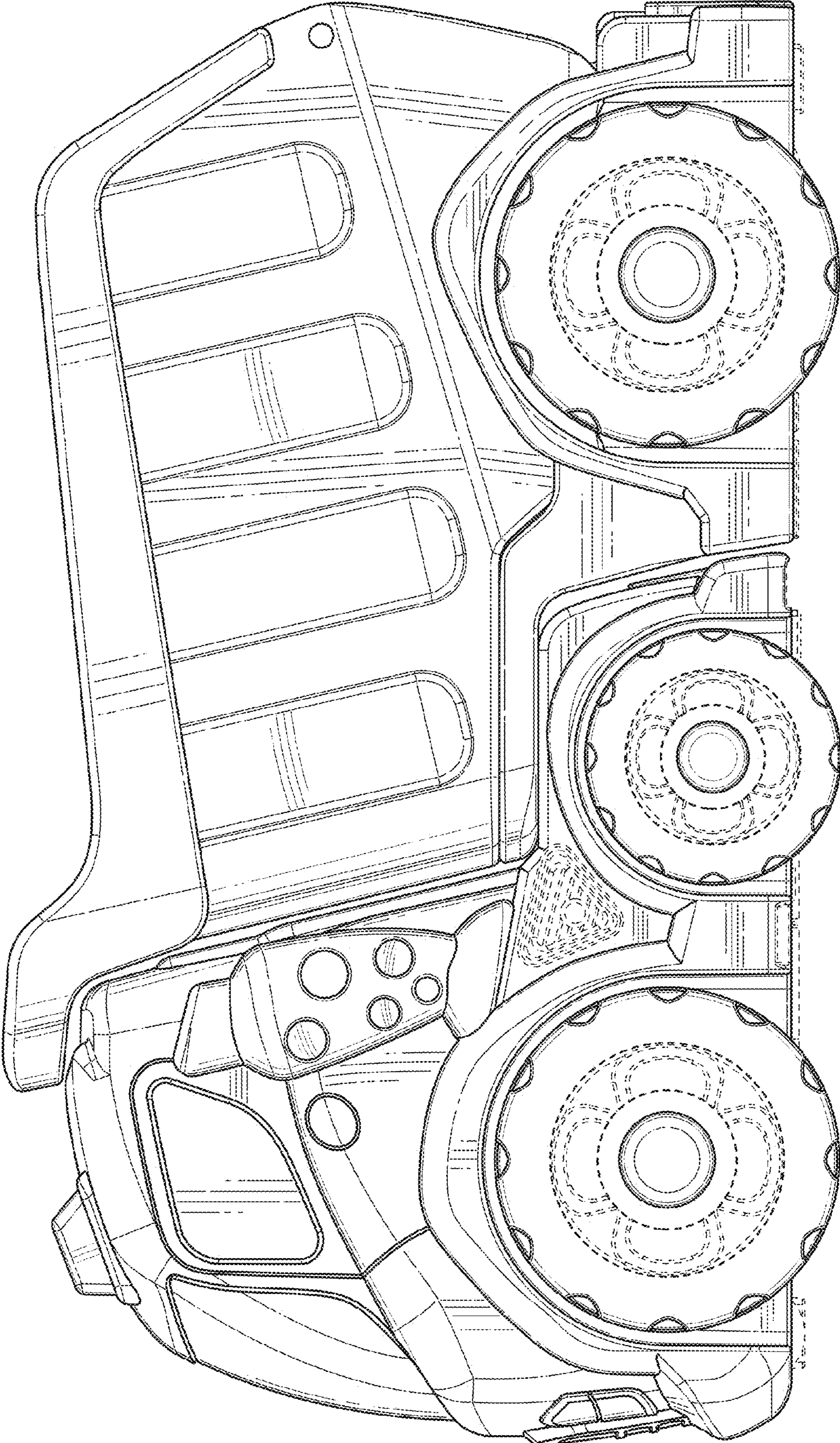


FIG. 4

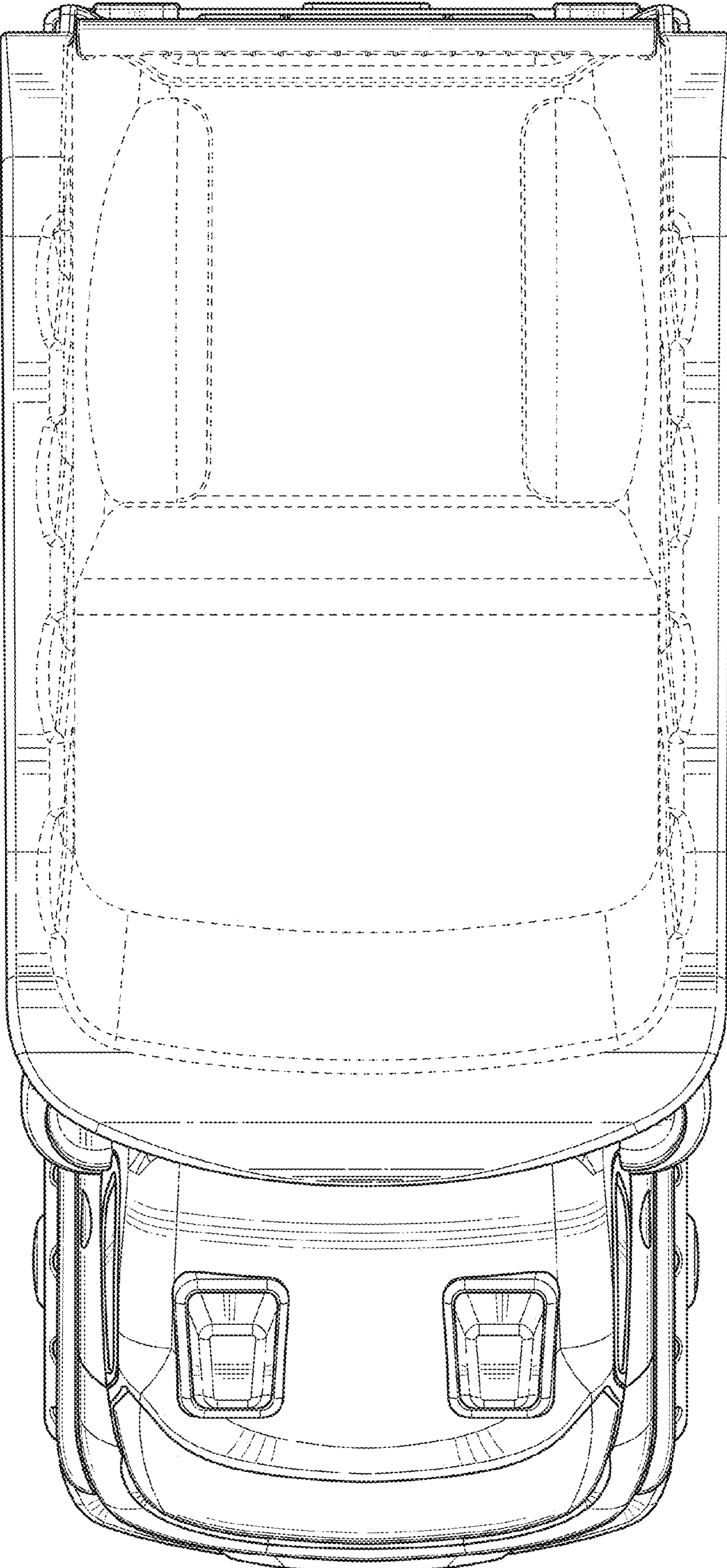


FIG. 5

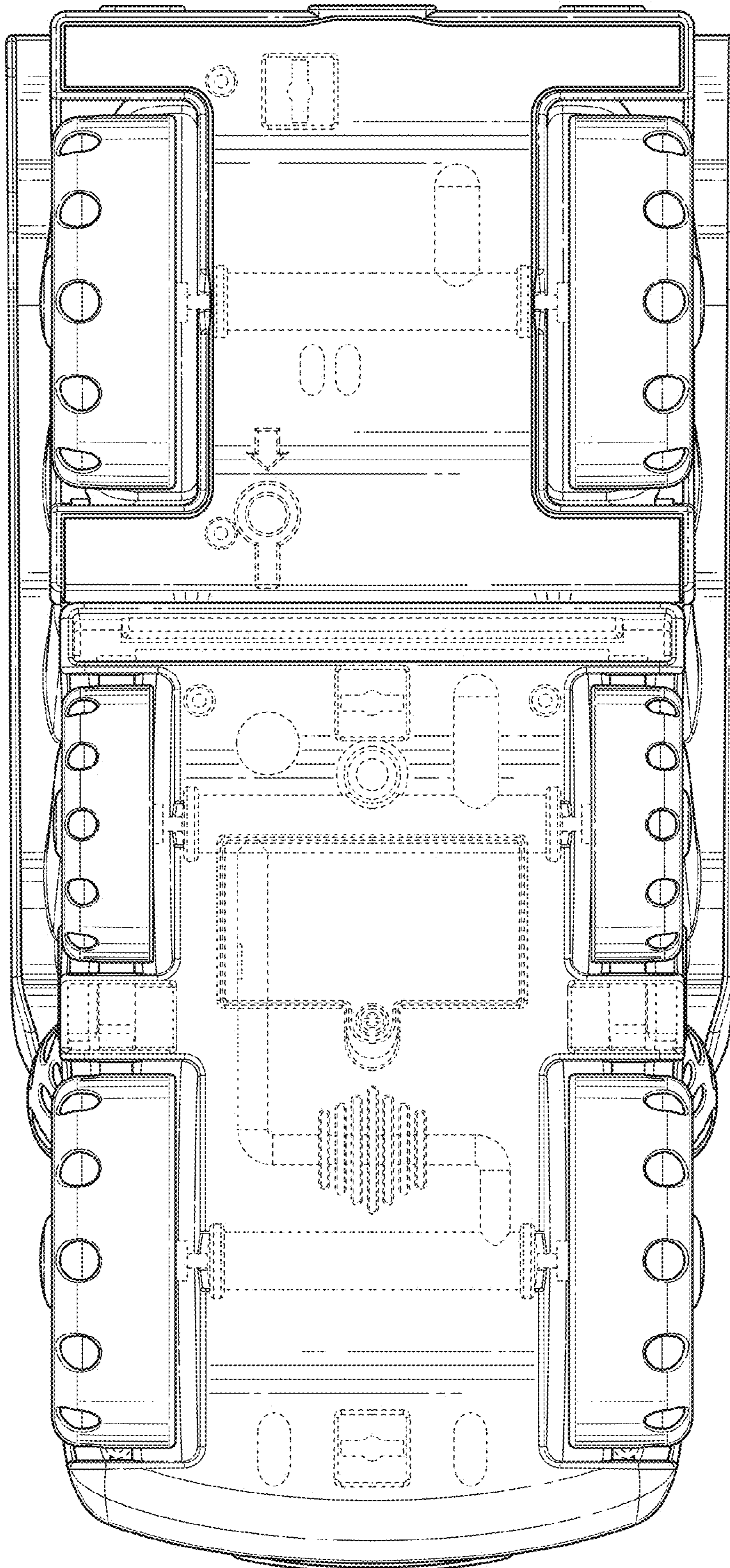


FIG. 6