



US00D932564S

(12) **United States Design Patent**
Chen

(10) **Patent No.:** **US D932,564 S**

(45) **Date of Patent:** **** Oct. 5, 2021**

(54) **TOY CEMENT TRUCK**
(71) Applicant: **Bo Chen**, Guangdong (CN)
(72) Inventor: **Bo Chen**, Guangdong (CN)
(73) Assignee: **Shantou P&C Plastic Products Company Limited**, Shantou (CN)

3,825,232 A * 7/1974 Pecorari B28C 5/4265
366/62
3,976,284 A * 8/1976 Hupp B60P 3/16
366/62
D288,577 S * 3/1987 Ohno D21/580
D311,041 S * 10/1990 Shinohara D21/580

(Continued)

(**) Term: **15 Years**
(21) Appl. No.: **29/689,938**
(22) Filed: **May 3, 2019**

FOREIGN PATENT DOCUMENTS

FR 112371-027 * 5/1974
GB 2043279 * 1/1995

(30) **Foreign Application Priority Data**

Dec. 27, 2018 (CN) 201830759946.5

(51) **LOC (13) Cl.** **21-01**

(52) **U.S. Cl.**
USPC **D21/553**

(58) **Field of Classification Search**
USPC D12/13-15, 82, 83, 86, 88, 89, 90, 91,
D12/93, 94, 95, 97, 98, 99; D21/424,
D21/427, 433, 434, 477, 483, 533, 535,
D21/548-563, 580, 581; 296/181.1,
296/181.5, 181.3, 183.1, 37.6, 177, 178,
296/180; 446/88, 93, 95, 102, 448
CPC B60R 9/06; B62D 35/00; B60C 2200/20;
B62B 5/0033; A63H 17/162; A63H
17/262; A63H 17/264; A63H 17/38;
A63H 17/004; A63H 17/26; A63H
17/266; A63H 17/36; A63H 29/00; A63H
29/22; A63H 29/24; A63H 30/04

See application file for complete search history.

(56) **References Cited**

U.S. PATENT DOCUMENTS

D222,868 S * 1/1972 Gilford D21/553
D226,013 S * 1/1973 Ogasawara D21/553
3,738,057 A * 6/1973 Ogasawara A63H 17/12
446/425

OTHER PUBLICATIONS

East Search: "Mini Kids Tomica Diecast Nissan Diesel Concrete Mixer," Jul. 21, 2017 (in review), eztrucktoys.com, site visited Apr. 2, 2021, URL: <http://www.eztrucktoys.com/mini-kids-tomica-diecast-nissan-diesel-concrete-mixer-truck-toy-p-115.html> (Year: 2017).*

(Continued)

Primary Examiner — Eric L Goodman
Assistant Examiner — Sarah L Smith
(74) *Attorney, Agent, or Firm* — Minder Law Group;
Willy H. Wong

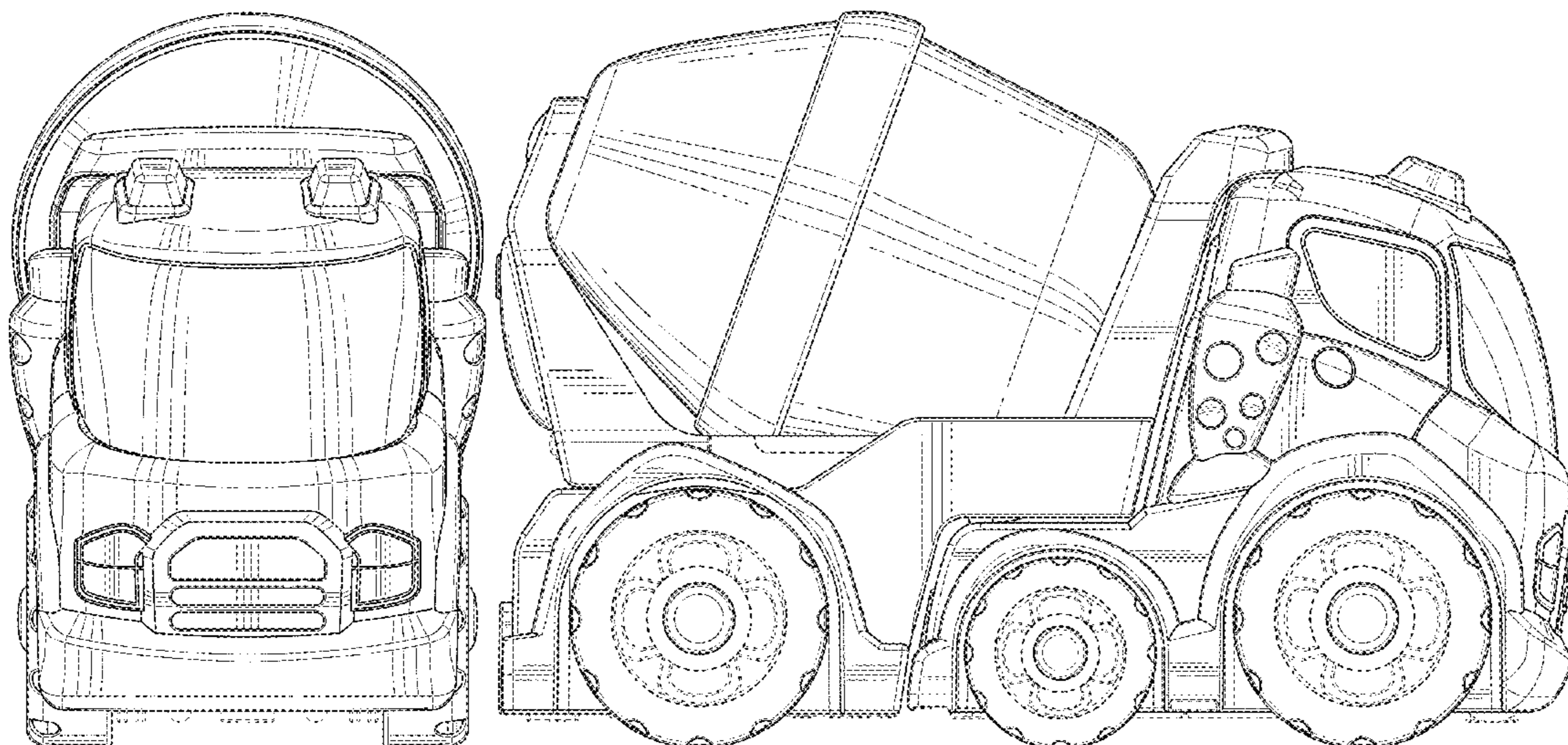
(57) **CLAIM**

The ornamental design for a toy cement truck, as shown and described.

DESCRIPTION

FIG. 1 is a front view of a toy cement truck in accordance with the present invention.
FIG. 2 is a back view thereof.
FIG. 3 is a left view thereof.
FIG. 4 is a right view thereof.
FIG. 5 is a top view thereof; and,
FIG. 6 is a bottom view thereof.
The broken lines show portions of the toy cement truck that form no part of the claimed design.

1 Claim, 6 Drawing Sheets



(56)

References Cited

U.S. PATENT DOCUMENTS

5,310,379 A * 5/1994 Hippely A63H 33/003
446/279
D416,951 S * 11/1999 Wei D21/553
D550,883 S * 9/2007 Nunes D26/73
7,845,843 B2 * 12/2010 Heilig B28C 5/4265
366/62
7,878,699 B2 * 2/2011 Schiffner F16C 19/38
366/62
D827,048 S * 8/2018 Flores B28C 5/4265
D21/537
D827,051 S * 8/2018 Flores F16C 19/38
D21/552
D868,173 S * 11/2019 Chen D21/552
D872,812 S * 1/2020 Chen D21/552

OTHER PUBLICATIONS

“Diecast Mercedes Benz Mixer Truck Toy,” Jun. 5, 2018 (in review), eztrucktoys.com, site visited Apr. 2, 2021, URL: <http://www.eztrucktoys.com/kids-blue-150-siku-3539-diecast-mercedes-benz-mixer-truck-toy-p-886.html> (Year: 2018).*

“Liberty Imports 14" Oversized Friction Powered Recycling Garbage Truck,” Feb. 13, 2018, amazon.com/au, site visited Apr. 5, 2021, URL: https://www.amazon.com.au/Friction-Powered-Recycling-Garbage-Loading/dp/B0182PRRF0/ref=sr_1_7?dchild=1&keywords=toy+dump+truck&qid=1617619873&sr=8-7 (Year: 2018).*

* cited by examiner

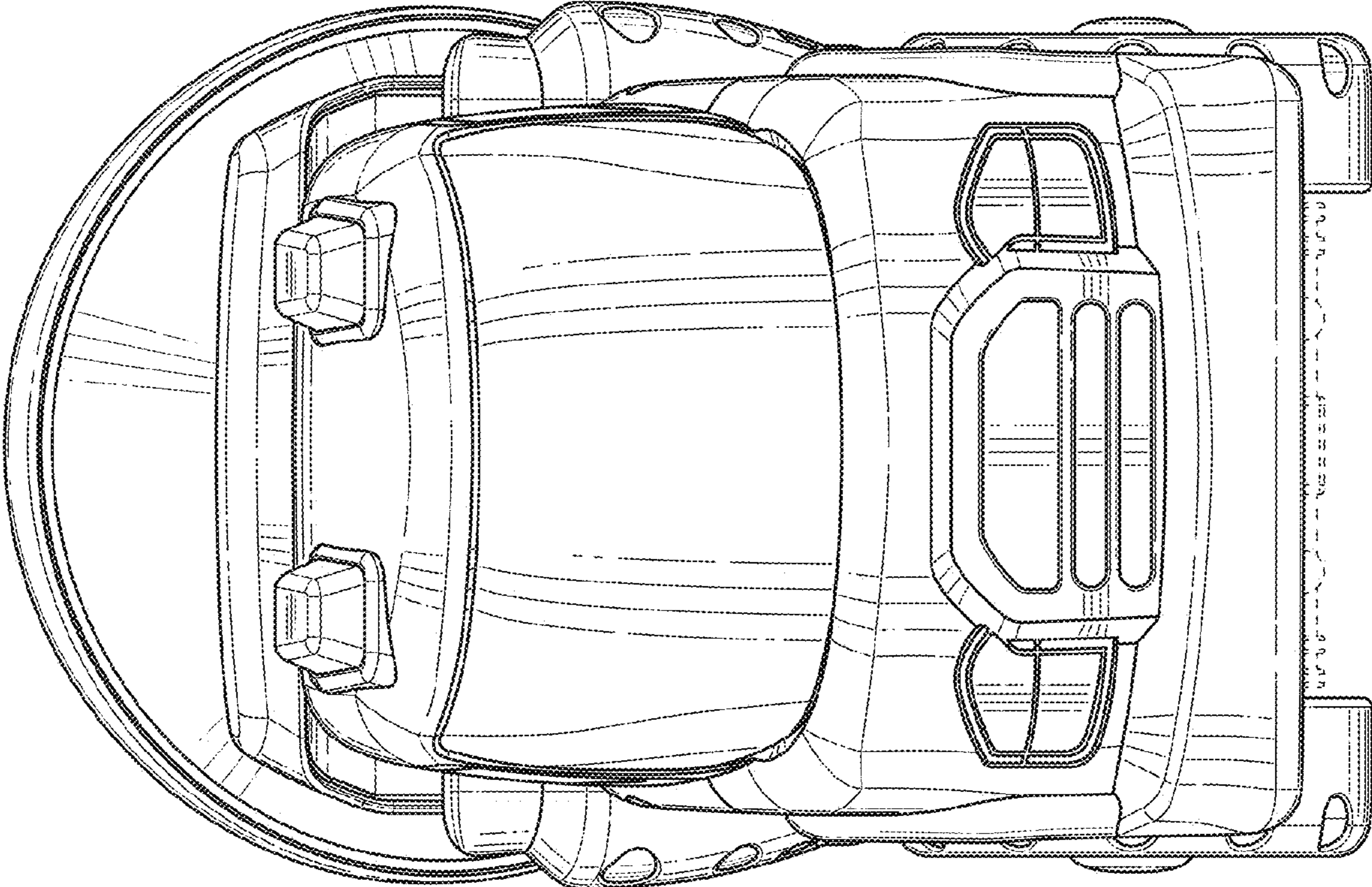


FIG. 1

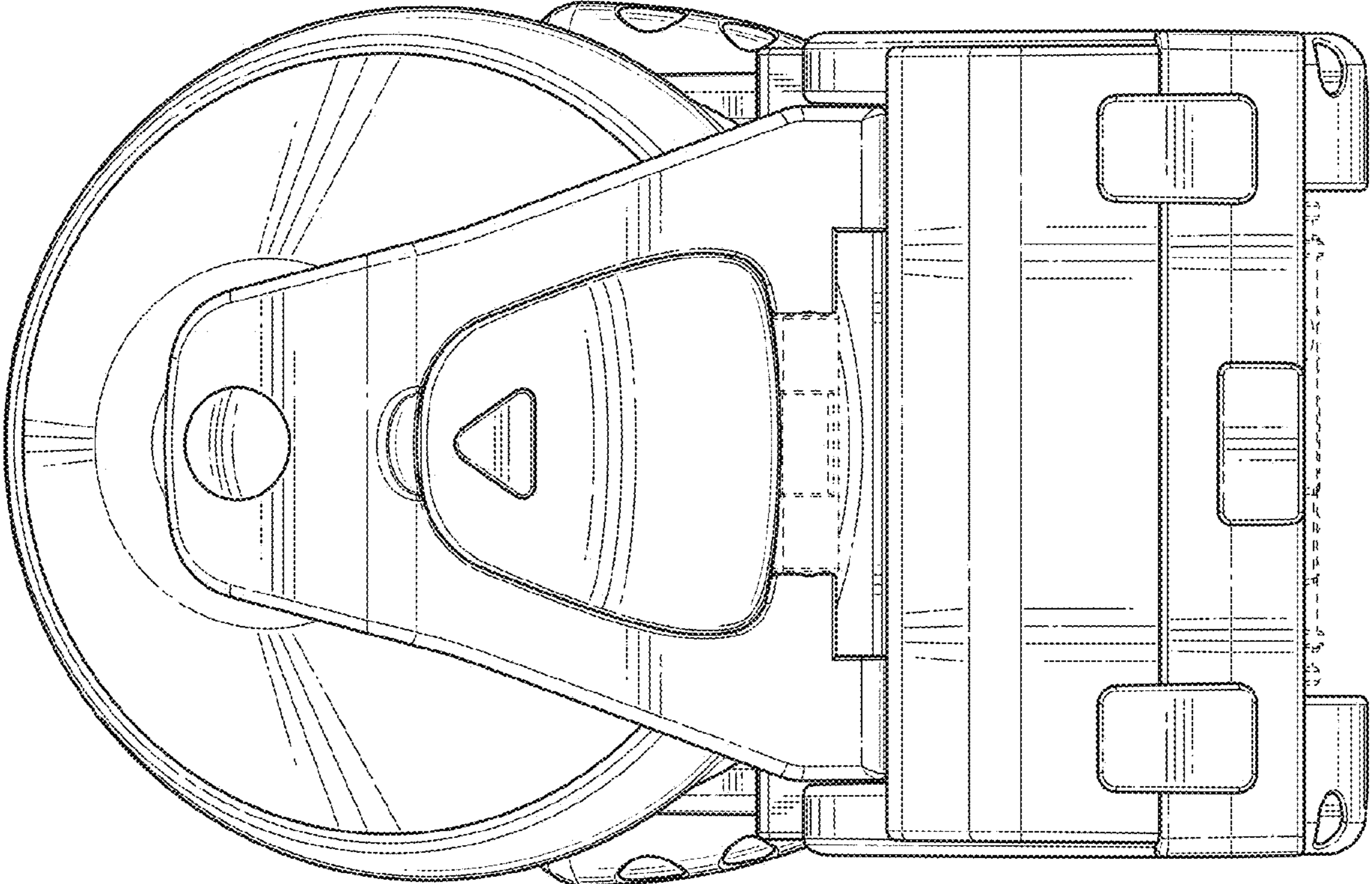


FIG. 2

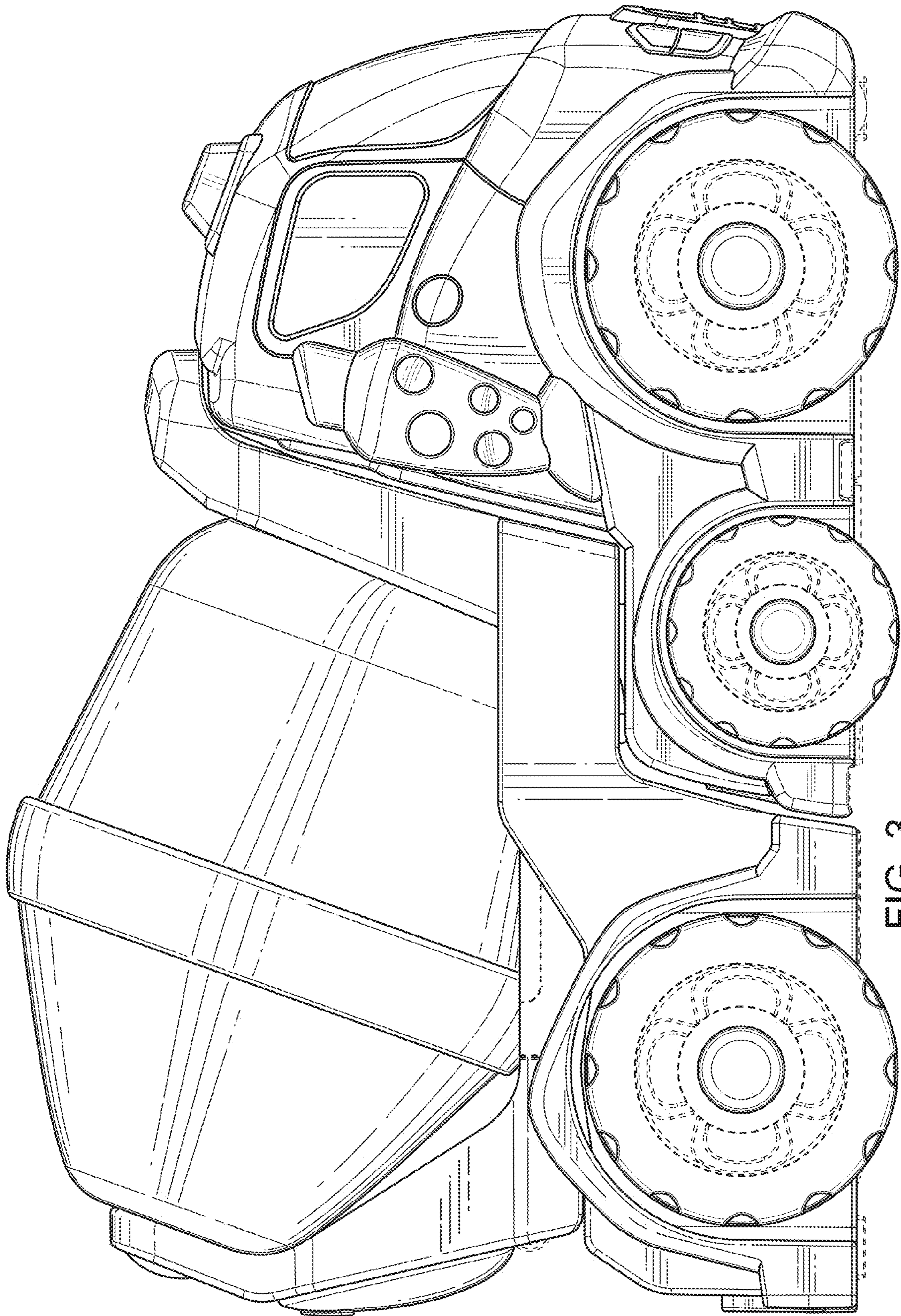


FIG. 3

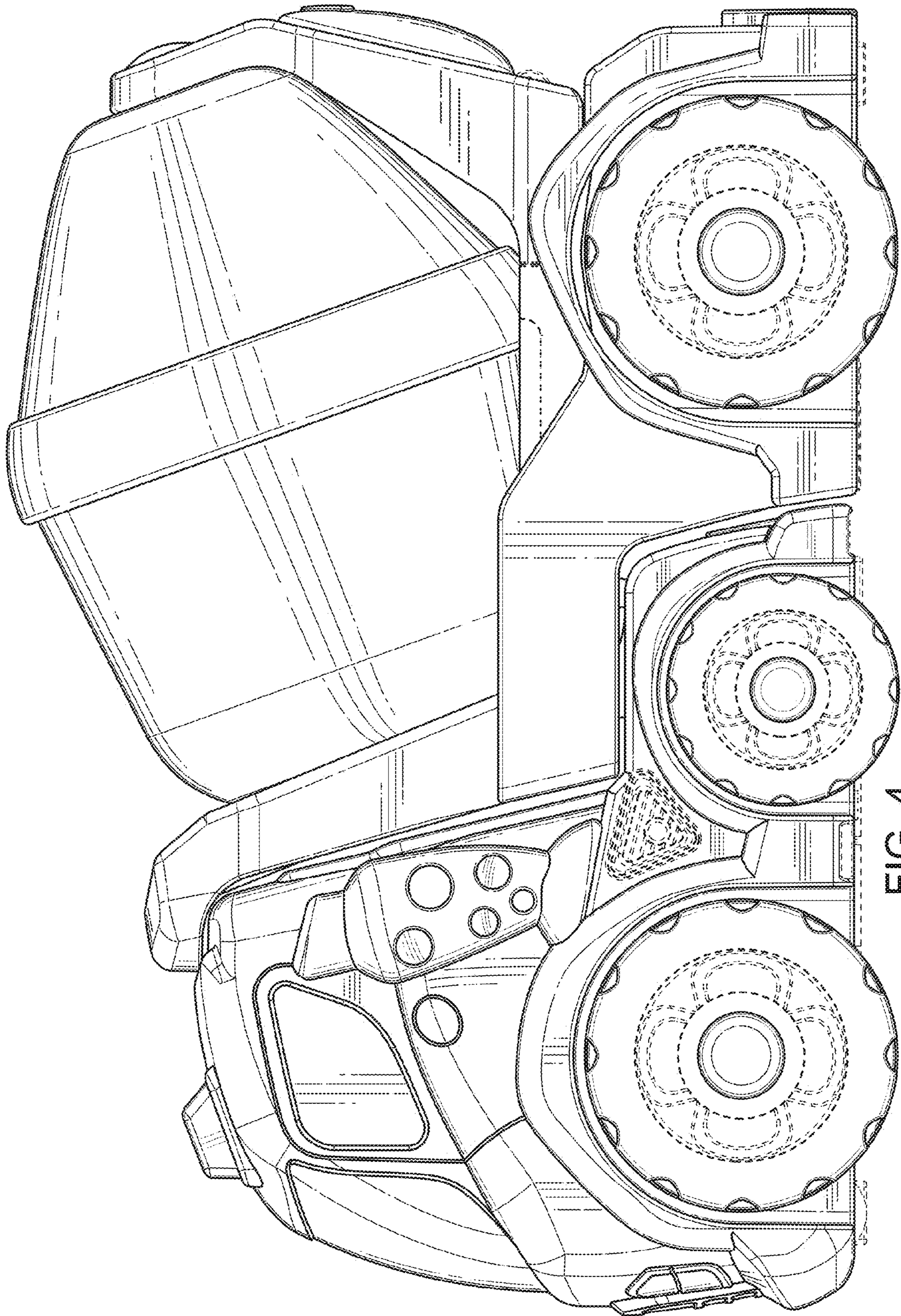


FIG. 4

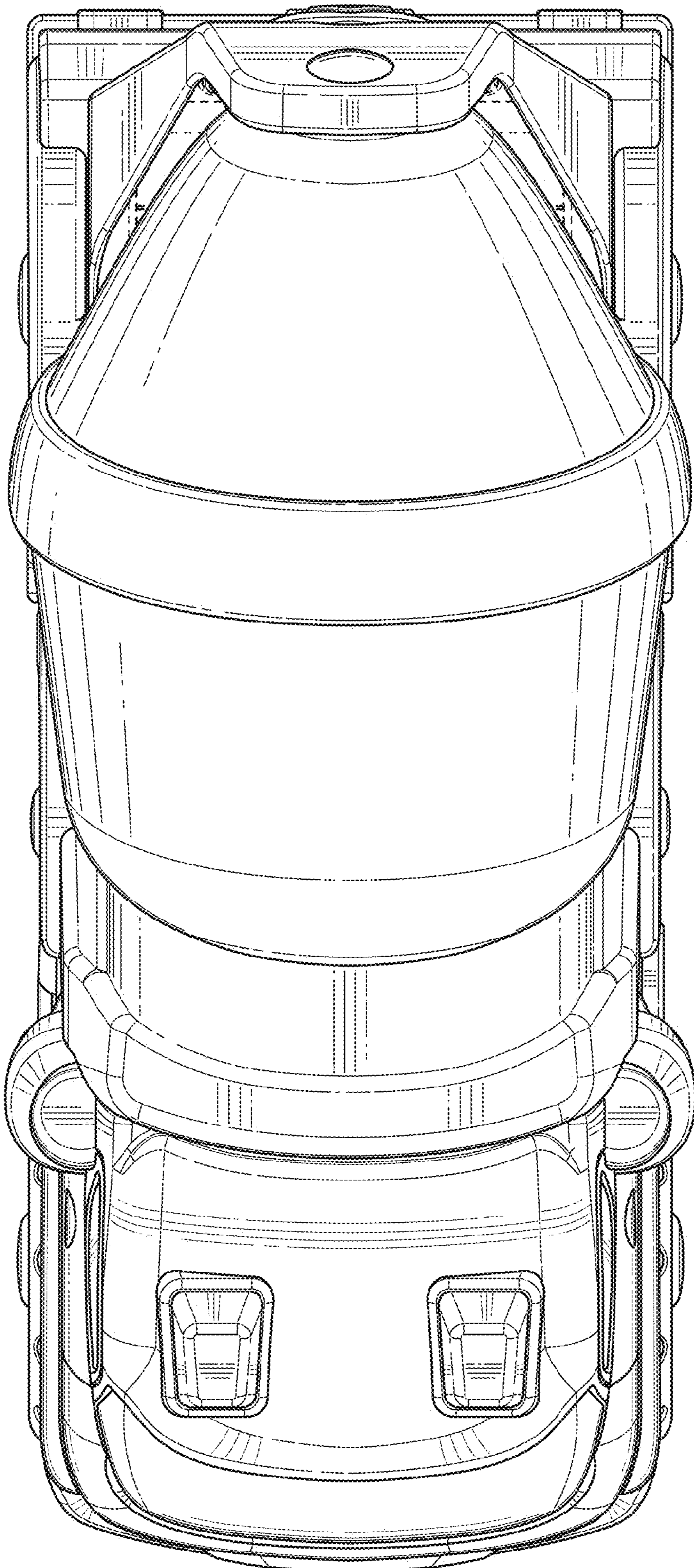


FIG. 5

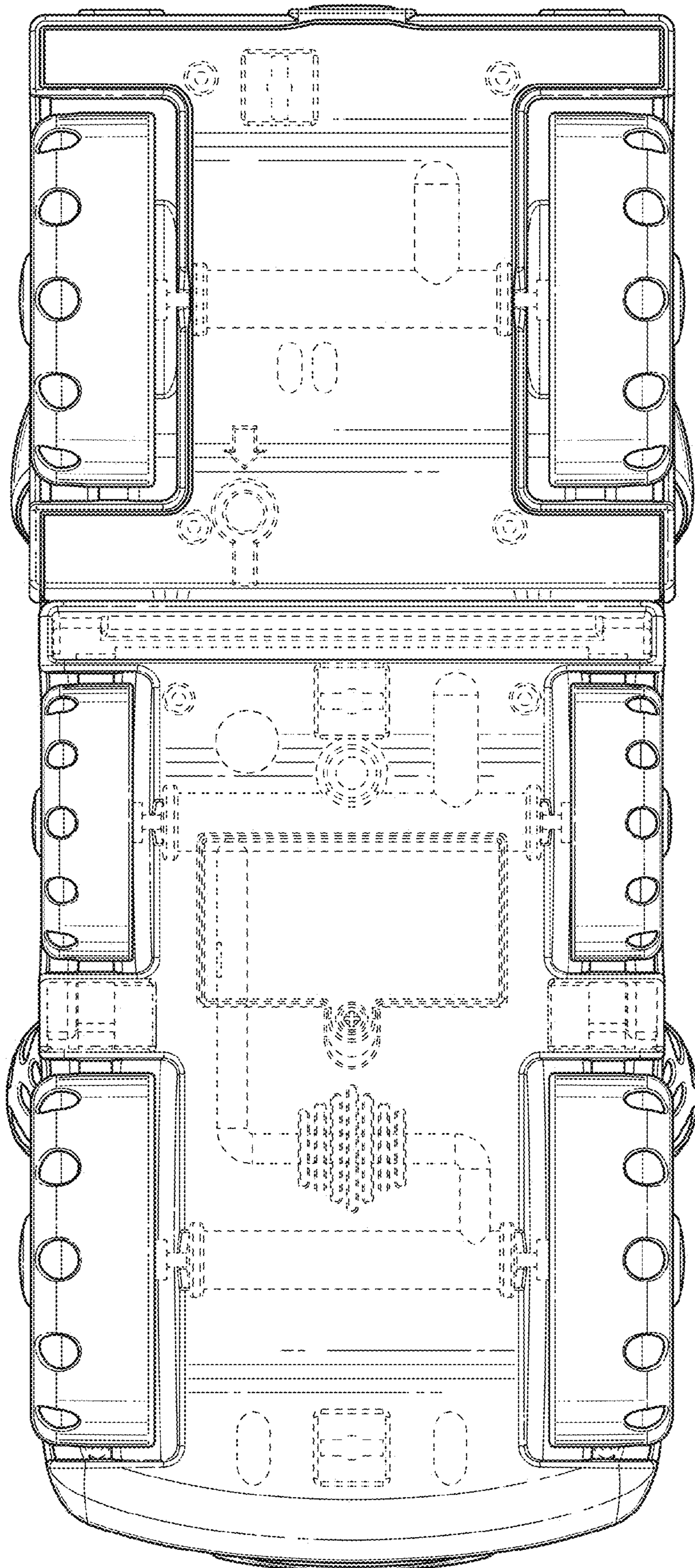


FIG. 6