



US00D932563S

(12) **United States Design Patent**
Chen

(10) **Patent No.: US D932,563 S**

(45) **Date of Patent: ** Oct. 5, 2021**

(54) **TOY GARBAGE TRUCK**
(71) Applicant: **Bo Chen**, Guangdong (CN)
(72) Inventor: **Bo Chen**, Guangdong (CN)

D231,916 S * 6/1974 Smith B65F 3/28
D12/93
4,648,775 A * 3/1987 Verner B65F 3/28
414/408
4,691,959 A * 9/1987 Verner B65F 3/28
296/182.1

(73) Assignee: **Shantou P&C Plastic Products Company Limited**, Shantou (CN)

(Continued)

(**) Term: **15 Years**
(21) Appl. No.: **29/689,939**
(22) Filed: **May 3, 2019**

FOREIGN PATENT DOCUMENTS

CN 303440431 * 11/2015
CN 304090124 * 3/2017
CN 304780294 * 8/2018

(30) **Foreign Application Priority Data**

Dec. 27, 2018 (CN) 201830759545.X

(51) **LOC (13) Cl.** **21-01**

(52) **U.S. Cl.**
USPC **D21/552**; D12/93; D12/96

(58) **Field of Classification Search**
USPC D12/13-15, 82, 83, 86, 88, 89, 90, 91,
D12/93, 94, 95, 97, 98, 99; D21/424,
D21/427, 433, 434, 477, 483, 533, 535,
D21/548-563, 580, 581; 296/181.1,
296/181.5, 181.3, 183.1, 37.6, 177, 178,
296/180; 446/88, 93, 95, 102, 448
CPC B60R 9/06; B62D 35/00; B60C 2200/20;
A63H 17/162; A63H 17/262; A63H
17/264; A63H 17/38; A63H 17/004;
A63H 17/26; A63H 17/266; A63H 17/36;
A63H 29/00; A63H 29/22; A63H 29/24;
A63H 30/04; B62B 5/0033

See application file for complete search history.

(56) **References Cited**

U.S. PATENT DOCUMENTS

2,561,608 A * 7/1951 Boissonnault B65F 3/205
414/501
3,489,304 A * 1/1970 Barnes B62D 33/0636
414/467

OTHER PUBLICATIONS

“Orange SIKU 0811 Diecast Garbage Dump Truck,” Nov. 8, 2017 (in review), extrucktoys.com, site visited Apr. 2, 2021, URL: <http://www.eztrucktoys.com/kids-mini-orange-siku-0811-diecast-garbage-dump-truck-toy-p-249.html> (Year: 2017).*

(Continued)

Primary Examiner — Eric L Goodman
Assistant Examiner — Sarah L Smith
(74) *Attorney, Agent, or Firm* — Minder Law Group;
Willy H. Wong

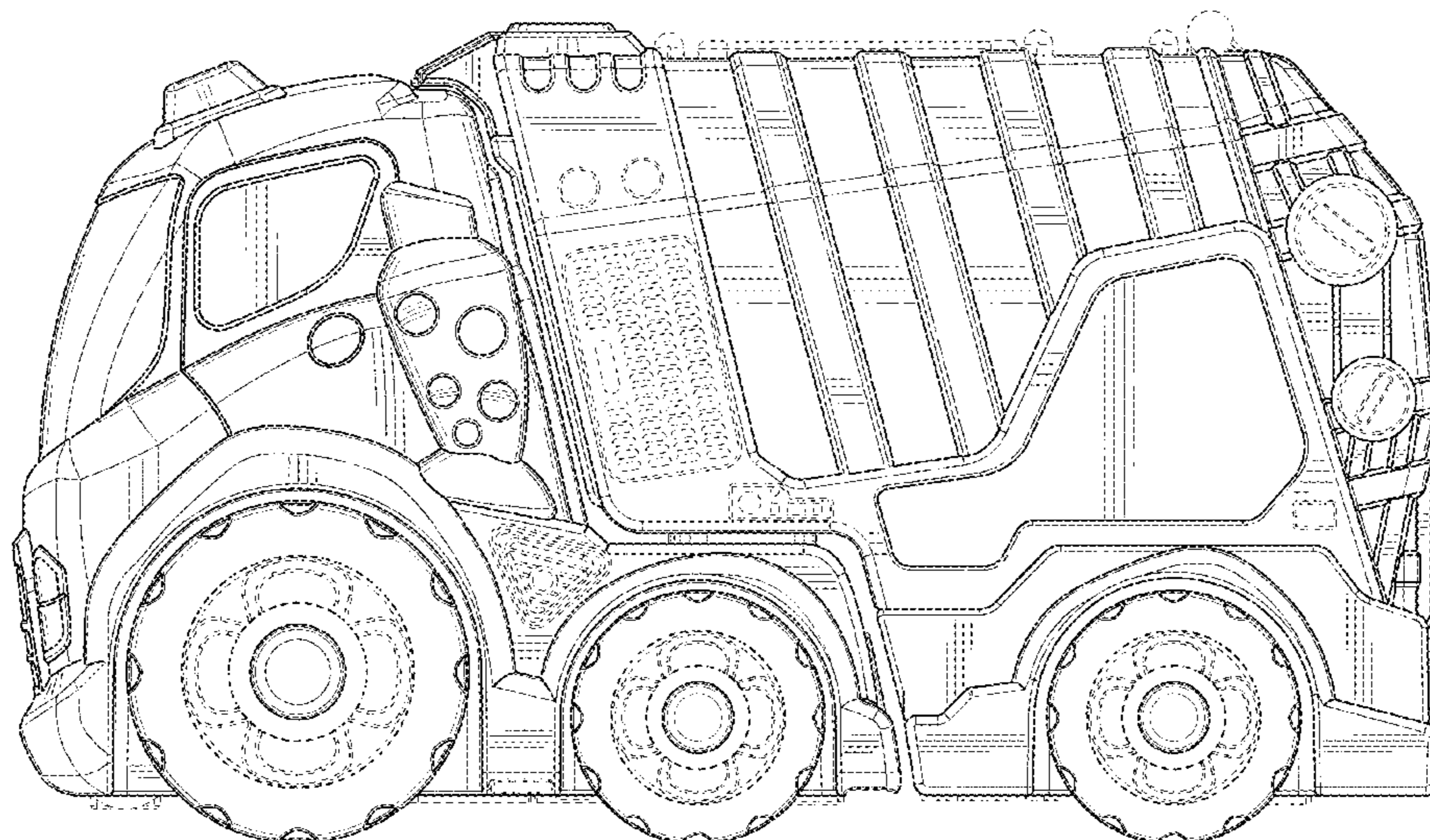
(57) **CLAIM**

The ornamental design for a toy garbage truck, as shown and described.

DESCRIPTION

FIG. 1 is a front view of a toy garbage truck in accordance with the present invention.
FIG. 2 is a back view thereof.
FIG. 3 is a left view thereof.
FIG. 4 is a right view thereof.
FIG. 5 is a top view thereof; and,
FIG. 6 is a bottom view thereof.
The broken lines show portions of the toy garbage truck that form no part of the claimed design.

1 Claim, 6 Drawing Sheets



(56)

References Cited

U.S. PATENT DOCUMENTS

4,954,040 A * 9/1990 Smith B65F 3/28
414/513
5,176,488 A * 1/1993 Boda B65F 3/001
100/218
D370,875 S * 6/1996 McNeilus B65F 3/24
D12/15
5,527,098 A * 6/1996 McKinney B60J 5/108
298/23 MD
D872,812 S * 1/2020 Chen B65F 3/001
D21/552
2008/0317568 A1 * 12/2008 Hallstrom B65F 3/24
414/408

OTHER PUBLICATIONS

“Diecast Scania Dump Garbage,” Mar. 5, 2017 (in review), eztrucktoys.com, site visited Apr. 2, 2021, URL: <http://www.eztrucktoys.com/kids-green-143-scale-diecast-scania-dump-garbage-truck-toy-p-218.html> (Year: 2017).*

“PowerTRC Friction Powered Garbage Truck,” Mar. 21, 2018, amazon.com/au, site visited Apr. 5, 2021, URL: https://www.amazon.com.au/PowerTRC-Friction-Powered-Garbage-Loading/dp/B07BMJ9B65/ref=sr_1_55?dchild=1&keywords=toy+dump+truck&qid=1617620317&sr=8-55 (Year: 2018).*

“Liberty Imports 14" Oversized Friction Powered Recycling Garbage Truck,” Apr. 8, 2018, amazon.com/au, site visited Apr. 5, 2021, URL: https://www.amazon.com.au/Friction-Powered-Recycling-Garbage-Loading/dp/B0182PRRF0/ref=sr_1_7?dchild=1&keywords=toy+dump+truck&qid=1617619873&sr=8-7 (Year: 2018).*

* cited by examiner

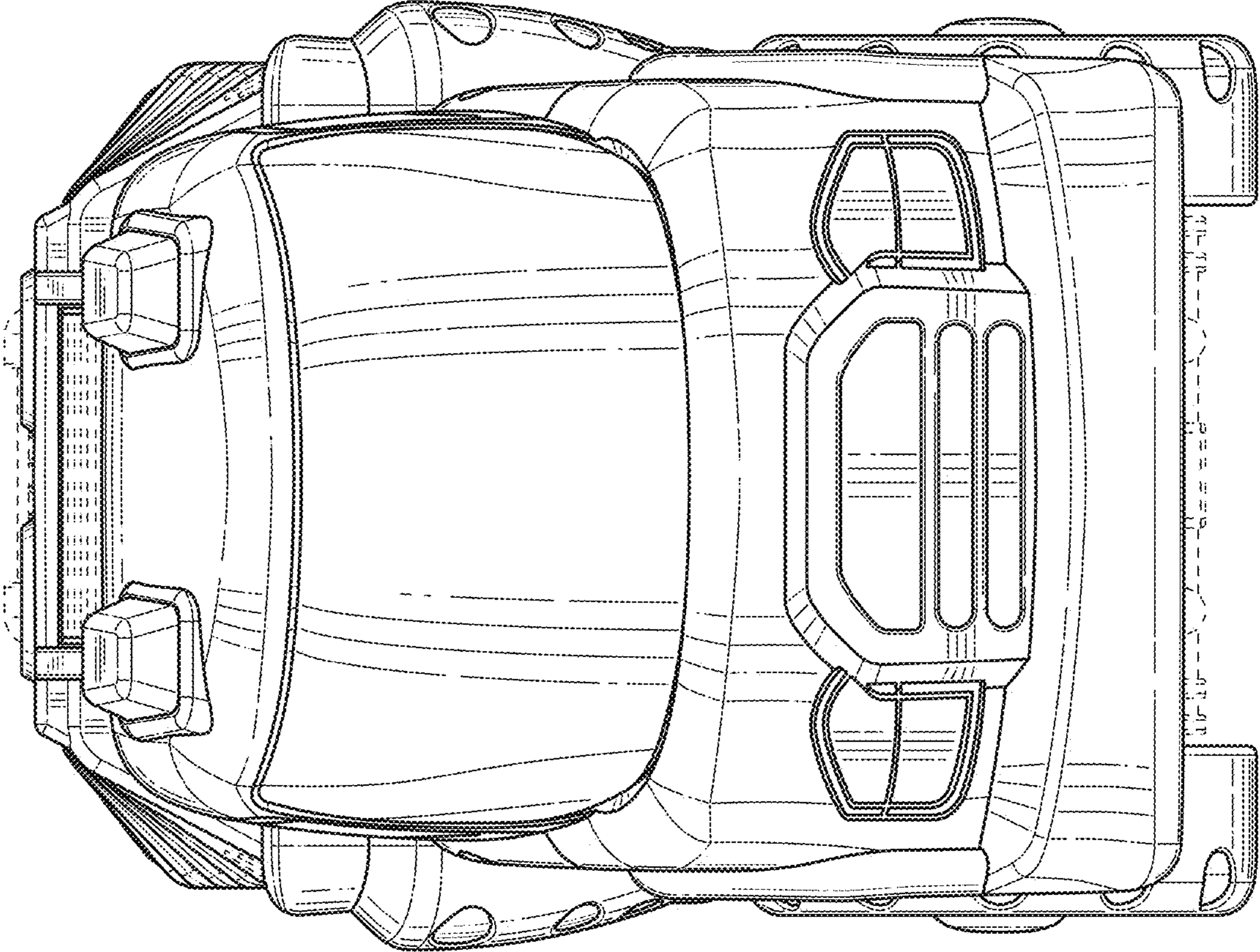


FIG. 1

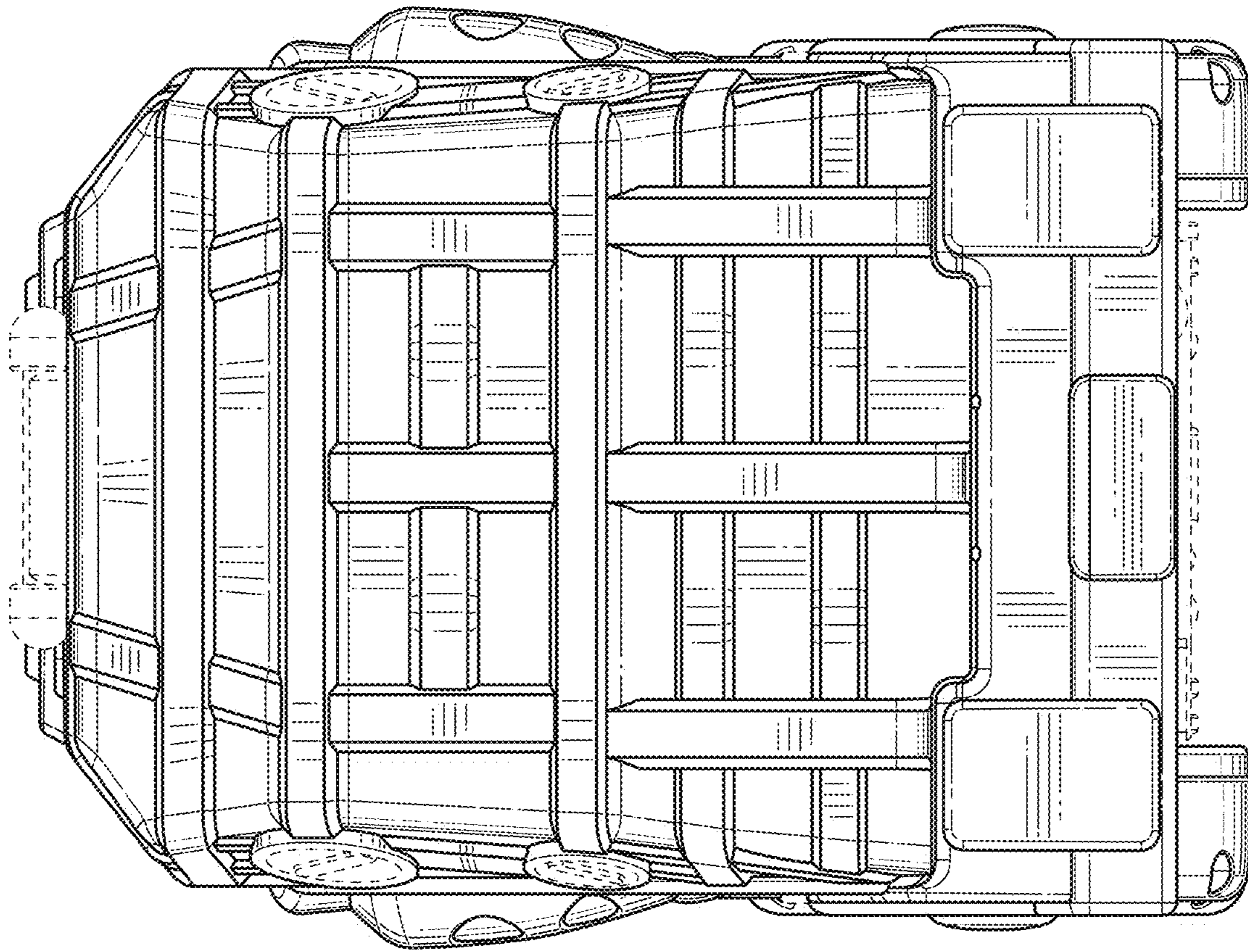


FIG. 2

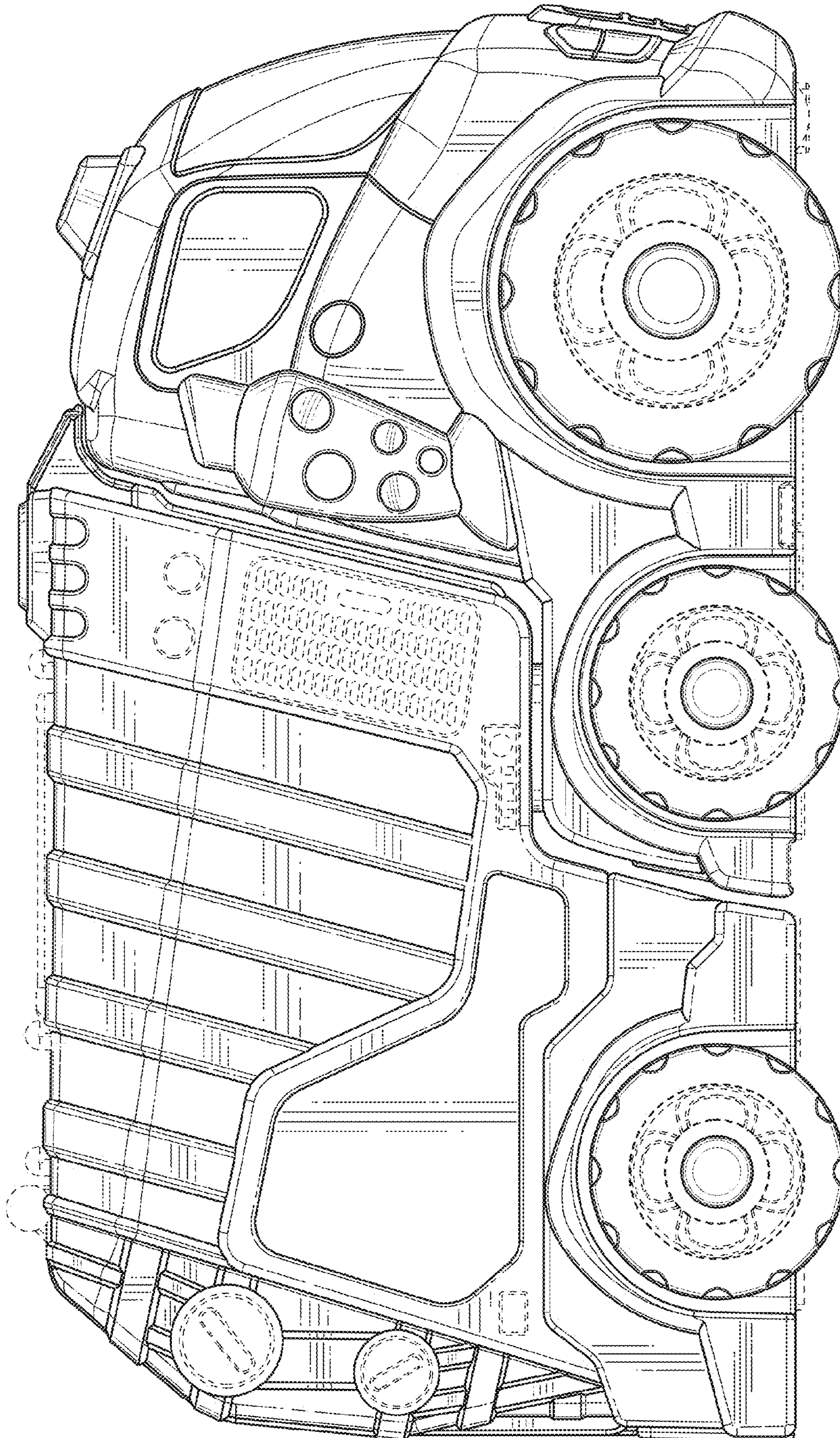


FIG. 3

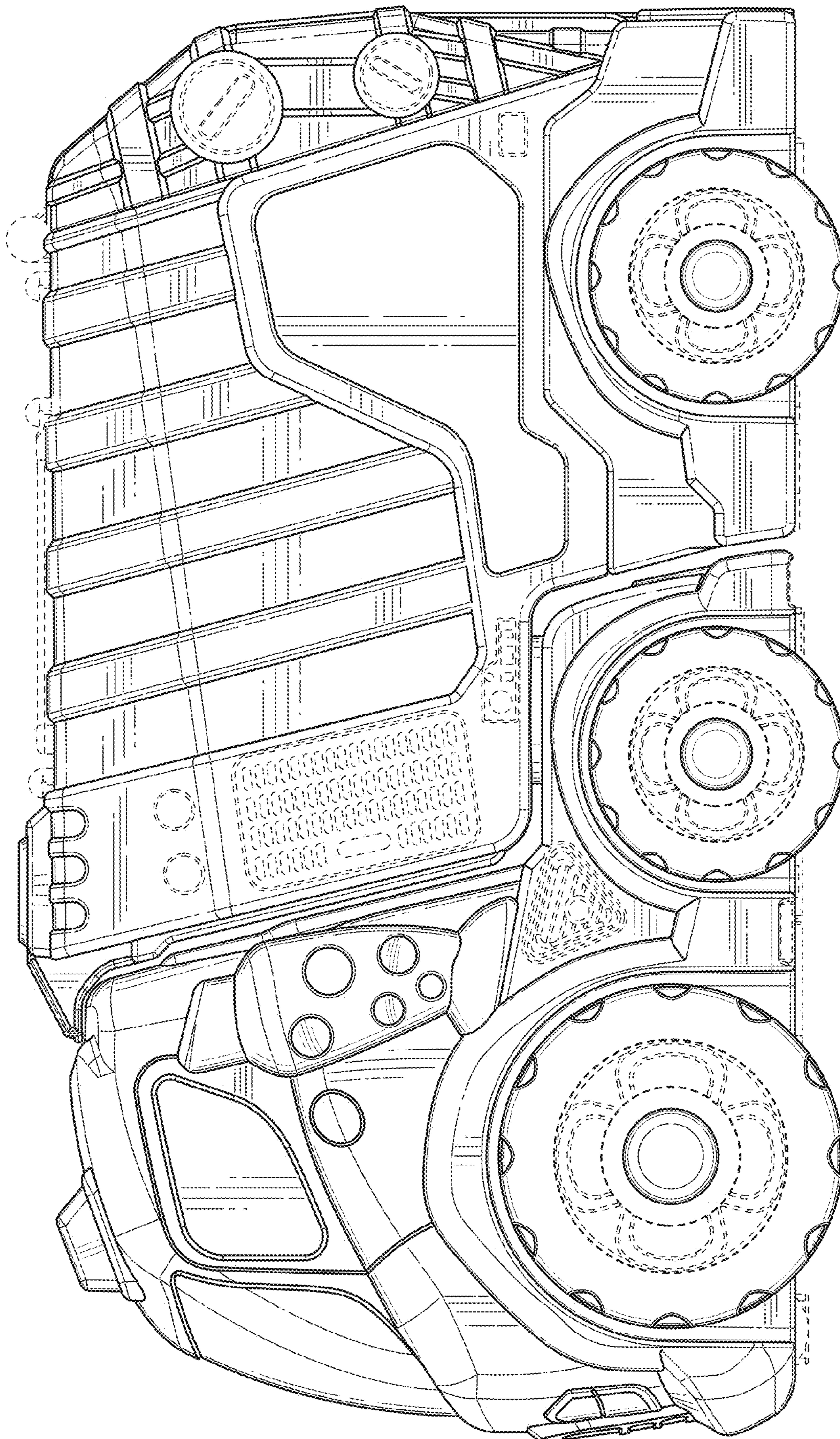


FIG. 4

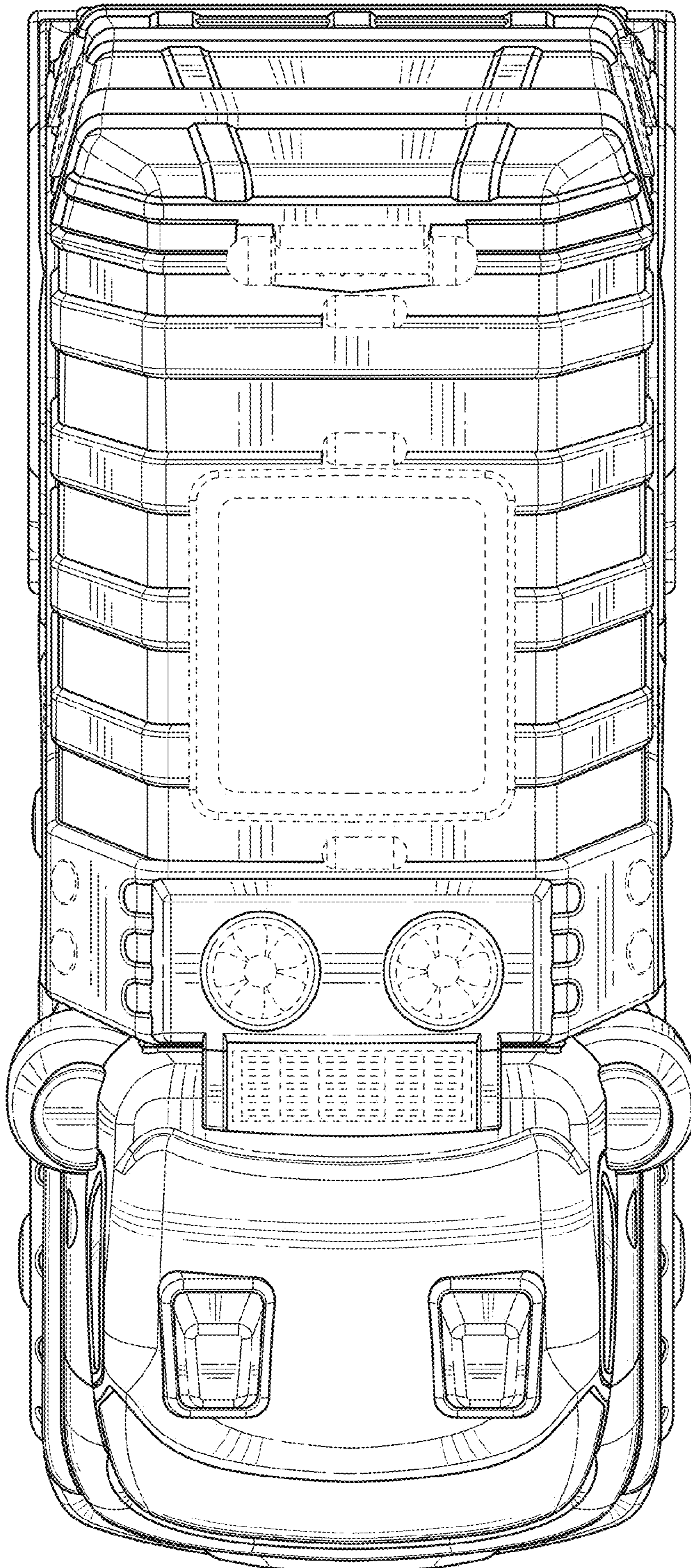


FIG. 5

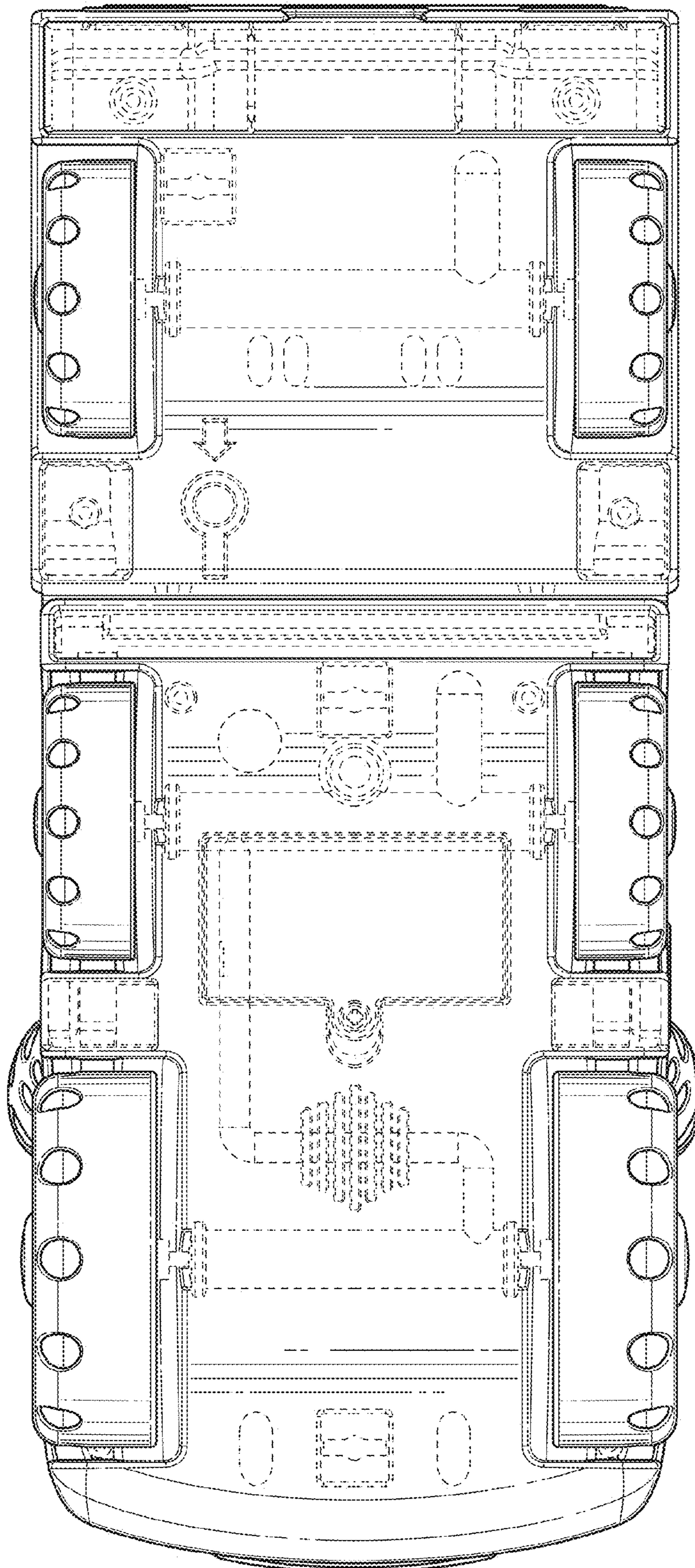


FIG. 6