



US00D932557S

(12) **United States Design Patent** (10) **Patent No.:** **US D932,557 S**
Sarne et al. (45) **Date of Patent:** **** Oct. 5, 2021**

(54) **GAME TABLE**
(71) Applicants: **Brian M Sarne**, Camden, NJ (US);
Heather A Sarne, Camden, NJ (US)
(72) Inventors: **Brian M Sarne**, Camden, NJ (US);
Heather A Sarne, Camden, NJ (US)
(**) Term: **15 Years**

D633,573 S * 3/2011 Katz D21/369
D633,953 S * 3/2011 Katz D21/369
D658,722 S * 5/2012 Lambert D21/372
D696,358 S * 12/2013 Brodrick D21/397
D752,153 S * 3/2016 To D21/369
9,564,016 B2 * 2/2017 LaDuca G07F 17/3262
9,715,791 B2 * 7/2017 LaDuca G07F 17/3244
D815,213 S * 4/2018 Yee D21/397
10,258,868 B2 * 4/2019 Yamaguchi A63F 1/067
10,943,429 B1 * 3/2021 LaDuca A63F 1/14

* cited by examiner

(21) Appl. No.: **29/692,308**

(22) Filed: **May 24, 2019**

Related U.S. Application Data

(63) Continuation-in-part of application No. 16/280,062,
filed on Feb. 20, 2019, now abandoned.

(51) **LOC (13) Cl.** **21-16**

(52) **U.S. Cl.**
USPC **D21/397**

(58) **Field of Classification Search**
USPC D21/397
CPC A63F 1/14; A63F 1/067; G07F 17/3244;
G07F 17/3262
See application file for complete search history.

(56) **References Cited**

U.S. PATENT DOCUMENTS

D452,283 S * 12/2001 Regan, II D21/369
D467,624 S * 12/2002 Boyd D21/369

Primary Examiner — George D. Kirschbaum
(74) *Attorney, Agent, or Firm* — Ashok Tankha

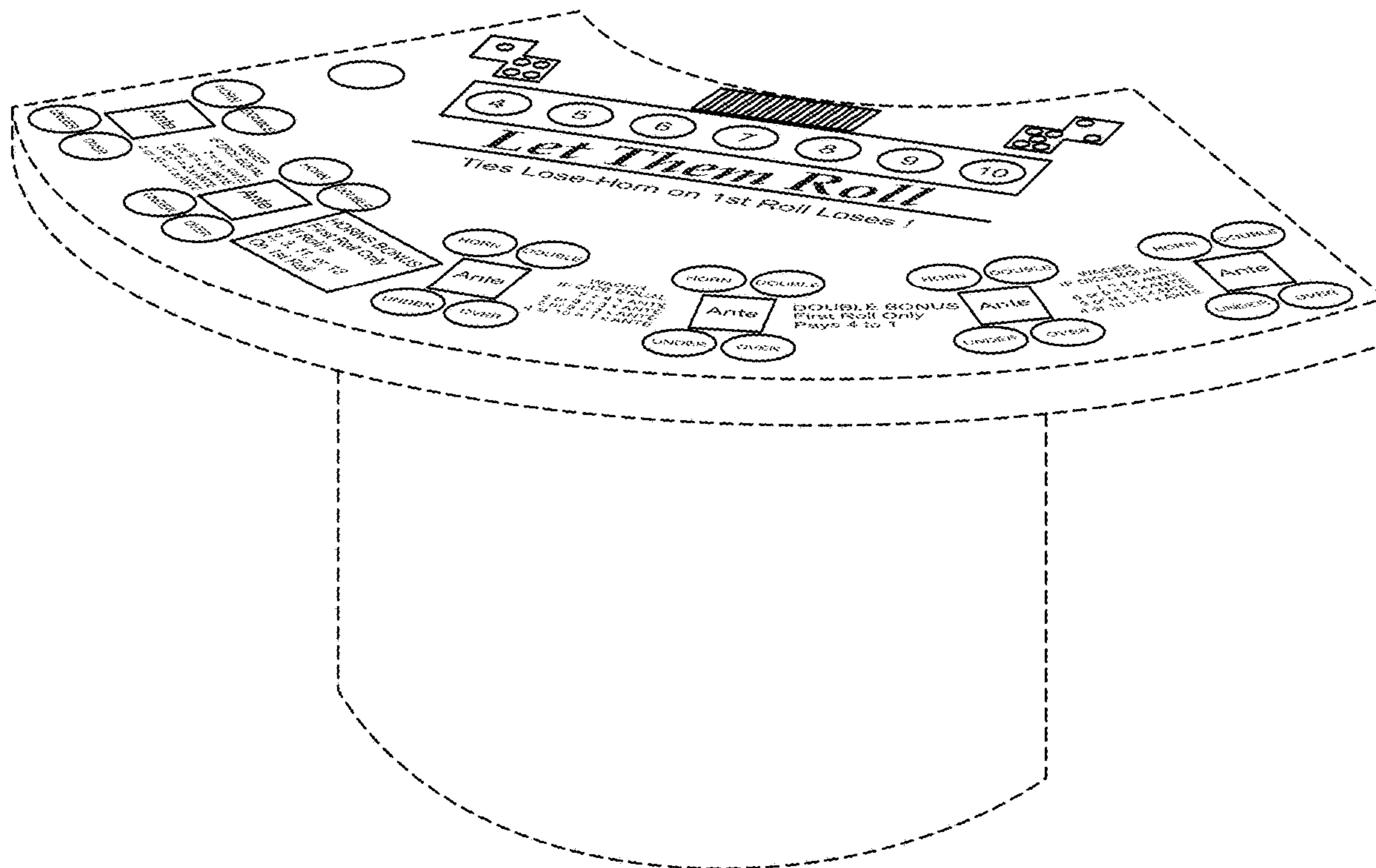
(57) **CLAIM**

The ornamental design for a game table, as shown and described.

DESCRIPTION

FIG. 1 is a perspective view of the game table, showing the new design; and,
FIG. 2 is a top view thereof.
The broken lines of the figures illustrate environmental subject matter and form no part of the claimed design.

1 Claim, 2 Drawing Sheets



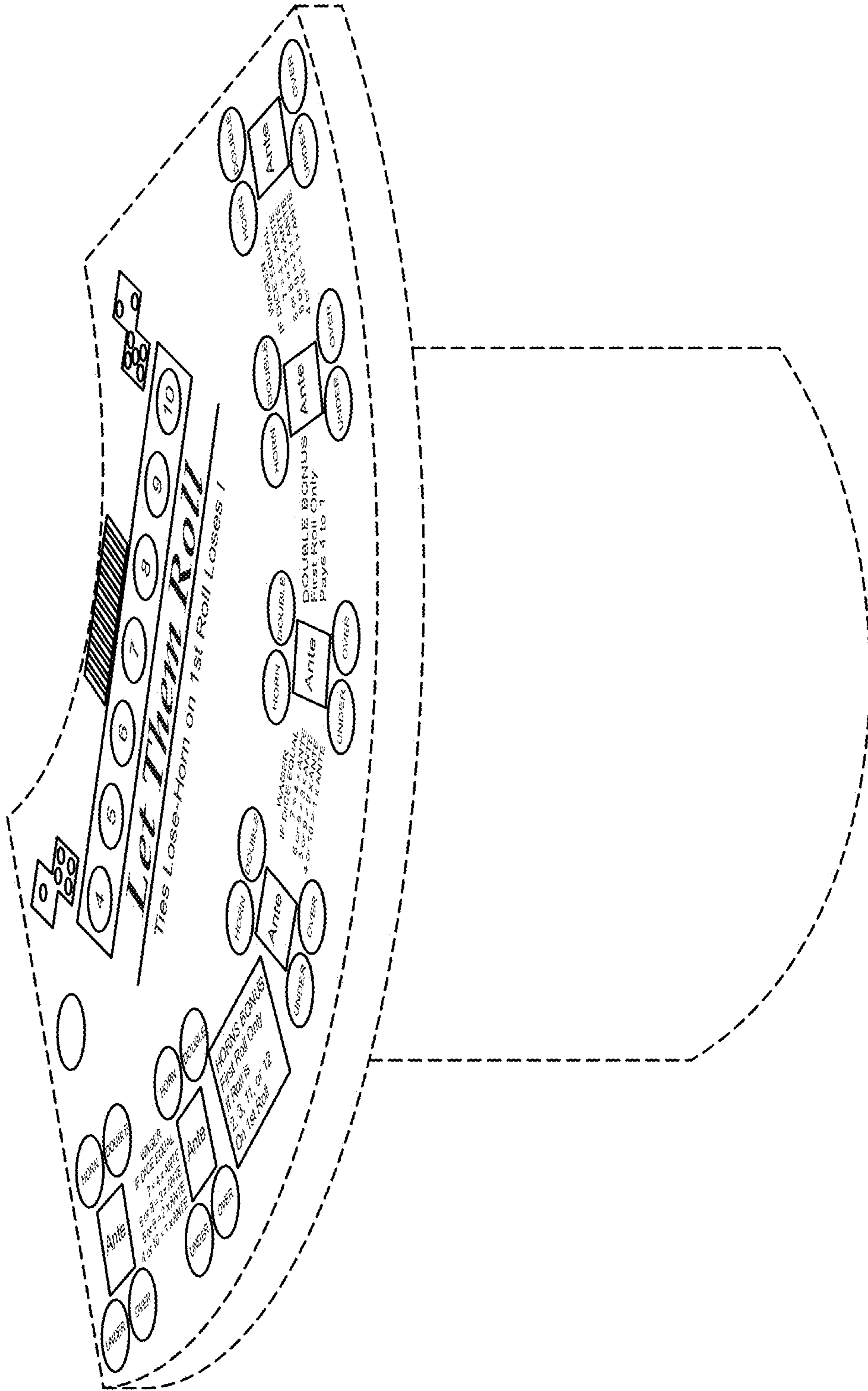


FIG. 1

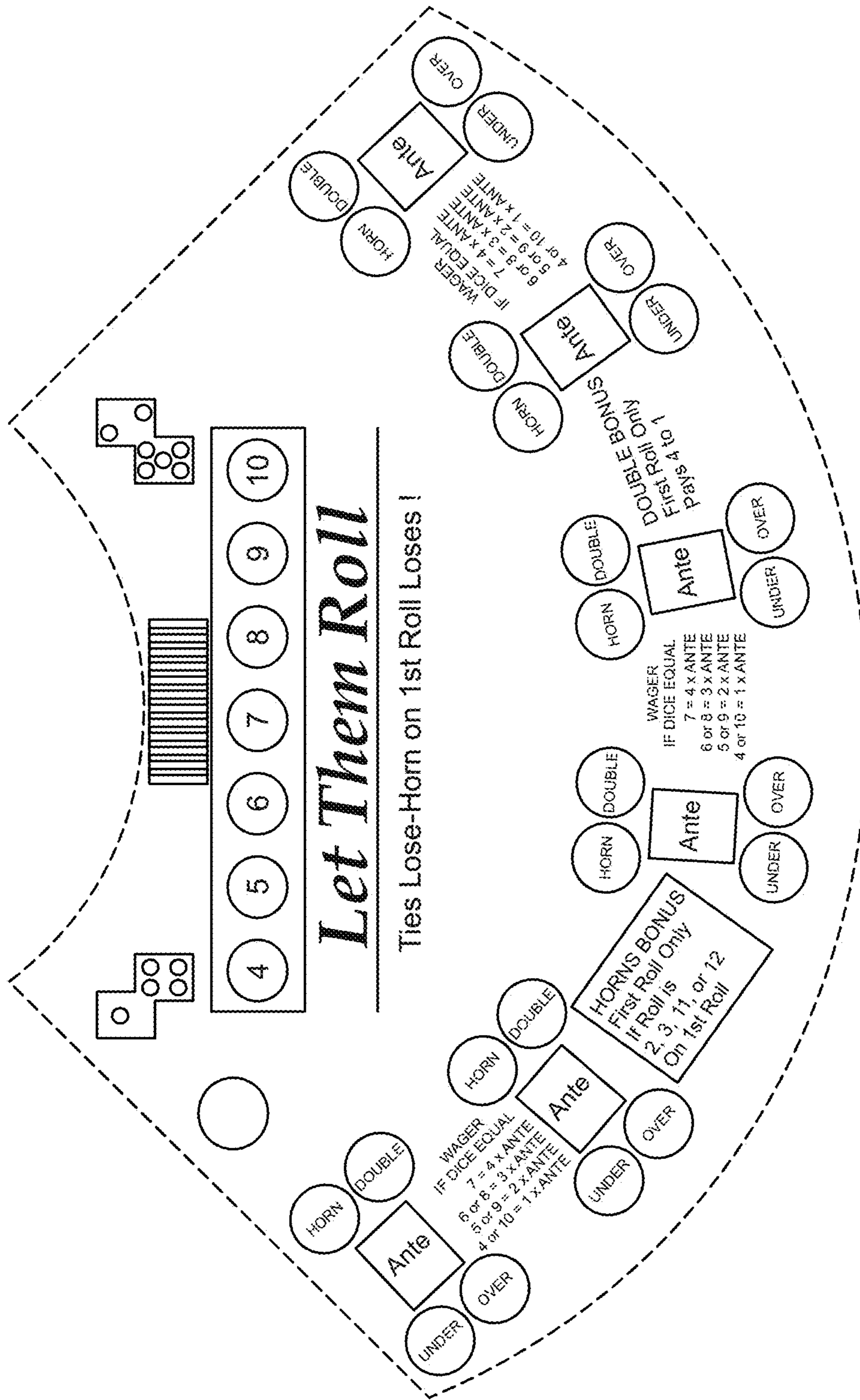


FIG. 2