



US00D932554S

(12) **United States Design Patent** (10) **Patent No.:** **US D932,554 S**
Tong (45) **Date of Patent:** **** Oct. 5, 2021**

(54) **CONTROLLER**

(71) Applicant: **Razer (Asia-Pacific) Pte. Ltd.**,
Singapore (SG)

(72) Inventor: **Ien Yu Tong**, Singapore (SG)

(73) Assignee: **RAZER (ASIA-PACIFIC) PTE. LTD.**,
Singapore (SG)

(**) Term: **15 Years**

(21) Appl. No.: **29/766,336**

(22) Filed: **Jan. 14, 2021**

Related U.S. Application Data

(60) Division of application No. 29/672,001, filed on Nov. 30, 2018, which is a continuation-in-part of
(Continued)

(51) **LOC (13) Cl.** **21-01**

(52) **U.S. Cl.**
USPC **D21/333**

(58) **Field of Classification Search**
USPC D14/174, 218, 387-389, 400-418,
D14/426-431, 443, 449-450, 454, 471,
D14/511; D21/333, 363, 368
(Continued)

(56) **References Cited**

U.S. PATENT DOCUMENTS

D772,988 S * 11/2016 Kujawski D14/401
D774,596 S * 12/2016 Kujawski D21/333
(Continued)

FOREIGN PATENT DOCUMENTS

KR 10-2011-0116892 A 10/2011

OTHER PUBLICATIONS

“Razer Raiju Mobile: Ergonomic Multi-Function Button Layout—
Hair Trigger Mode—Adjustable Phone Mount—Mobile Gaming

Controller” Mar. 1, 2017, site visited Mar. 16, 2021: <https://www.amazon.com/dp/B075KJCM4/> (Year: 2017).*

(Continued)

Primary Examiner — Garth Rademaker

Assistant Examiner — Melvin L Davis

(74) *Attorney, Agent, or Firm* — Polsinelli PC

(57) **CLAIM**

I claim the ornamental design for a controller, as shown and described.

DESCRIPTION

FIG. 1 is a perspective view of a first embodiment of a controller, showing my new design;

FIG. 2 is a front elevational view thereof;

FIG. 3 is a rear elevational view thereof;

FIG. 4 is a right side elevational view thereof;

FIG. 5 is a left side elevational view thereof;

FIG. 6 is a top plan view thereof; and

FIG. 7 is a bottom plan view thereof.

FIG. 8 is a perspective view of a second embodiment of a controller, the second embodiment being the same as the first embodiment except that the metal rail is in the extended position;

FIG. 9 is a front elevational view thereof;

FIG. 10 is a rear elevational view thereof;

FIG. 11 is a right side elevational view thereof;

FIG. 12 is a left side elevational view thereof;

FIG. 13 is a top plan view thereof; and

FIG. 14 is a bottom plan view thereof.

FIG. 15 is a perspective view of a third embodiment of a controller, the third embodiment being the same as the second embodiment except the metal rail is at an inclined position;

FIG. 16 is a front elevational view thereof;

FIG. 17 is a rear elevational view thereof;

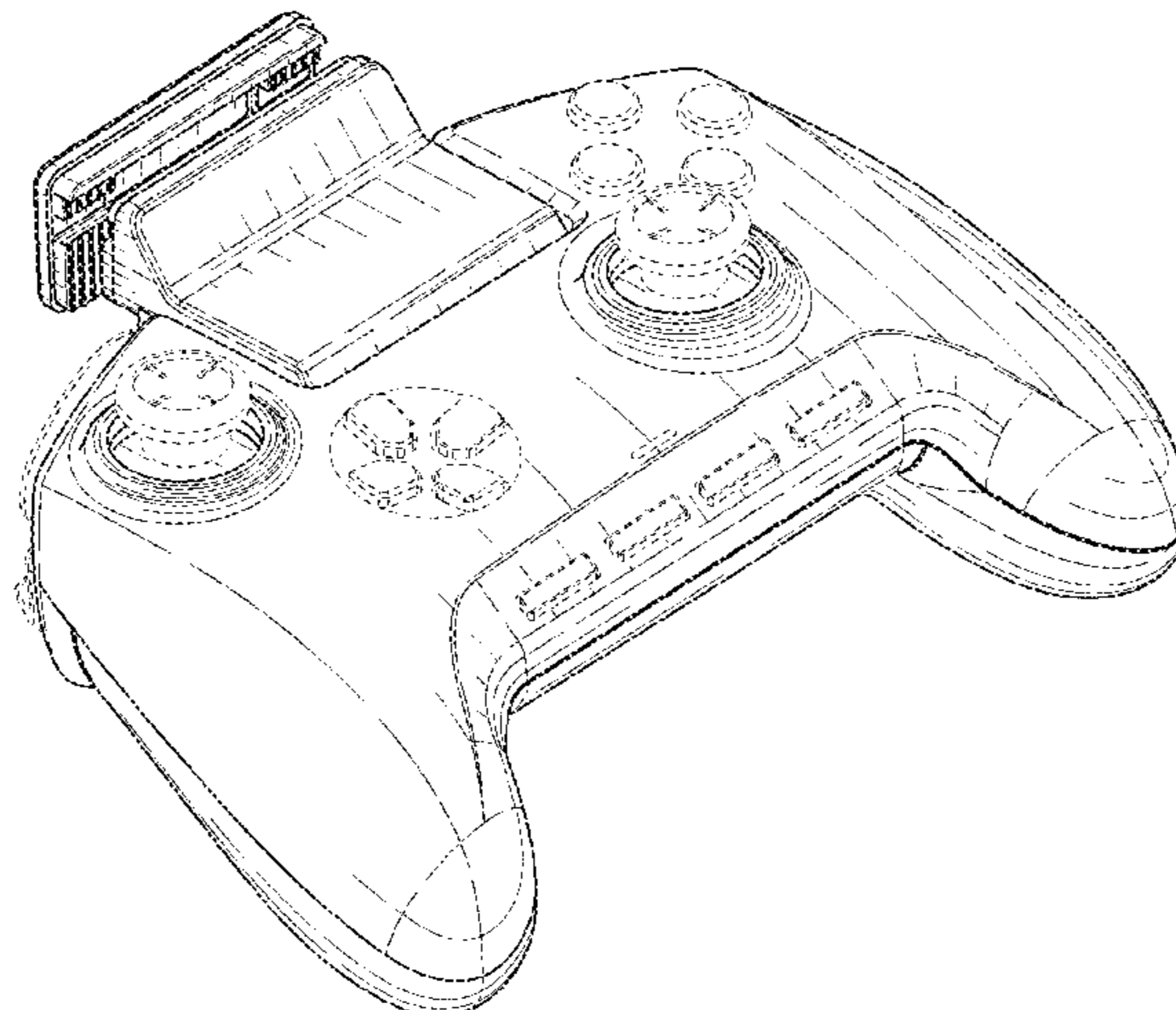
FIG. 18 is a right side elevational view thereof;

FIG. 19 is a left side elevational view thereof;

FIG. 20 is a top plan view thereof; and,

FIG. 21 is a bottom plan view thereof.

(Continued)



Broken lines are for illustrating portions of the controller which form no part of the claimed design.

1 Claim, 17 Drawing Sheets

Related U.S. Application Data

application No. PCT/SG2018/050451, filed on Sep. 6, 2018.

(58) Field of Classification Search

CPC A63F 13/42; A63F 13/98; A63F 13/24; G06F 3/0338

See application file for complete search history.

(56) References Cited

U.S. PATENT DOCUMENTS

D794,129 S * 8/2017 Kujawski D14/401
D794,717 S * 8/2017 Kujawski D14/401

D798,954 S * 10/2017 Chatterjee D21/333
D831,648 S * 10/2018 Tong D14/401
10,232,254 B2 * 3/2019 Gassoway A63F 13/245
10,286,307 B2 * 5/2019 Kujawski A63F 13/24
10,427,035 B2 * 10/2019 Schmitz A63F 13/98
10,507,385 B2 * 12/2019 Lyden A63F 13/24
D872,185 S * 1/2020 Chatterjee D21/333
2004/0224768 A1 * 11/2004 Hussaini A63F 13/24
463/37
2006/0040740 A1 * 2/2006 DiDato A63F 13/06
463/37
2010/0296232 A1 11/2010 Yeh et al.
2014/0364232 A1 12/2014 Cramer et al.
2015/0205328 A1 7/2015 Lin et al.
2015/0281422 A1 10/2015 Kessler et al.

OTHER PUBLICATIONS

International Search Report and Written Opinion, dated May 24, 2019, for the corresponding International Application No. PCT/SG2018/050451 in 13 pages.

* cited by examiner

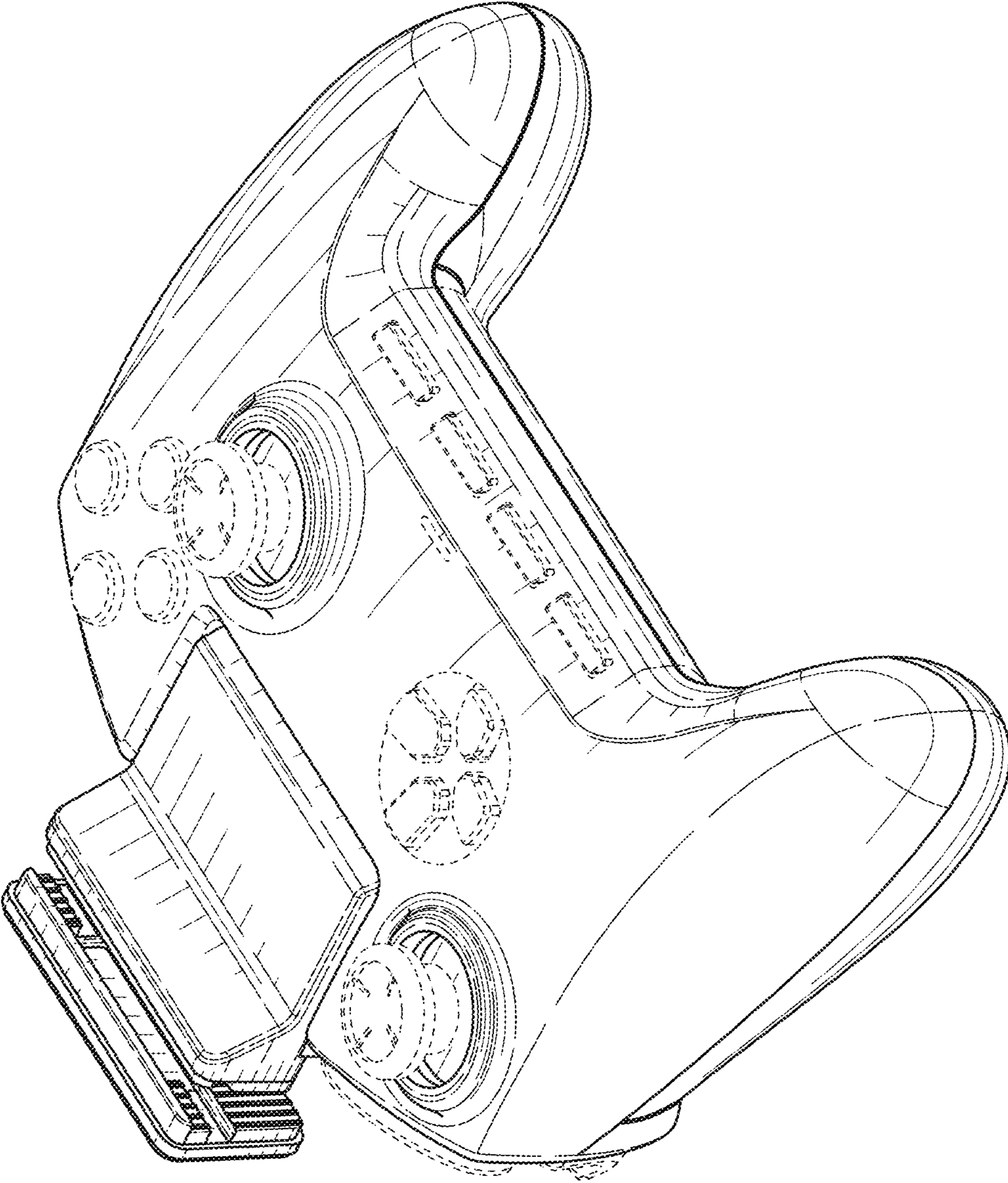


FIG. 1

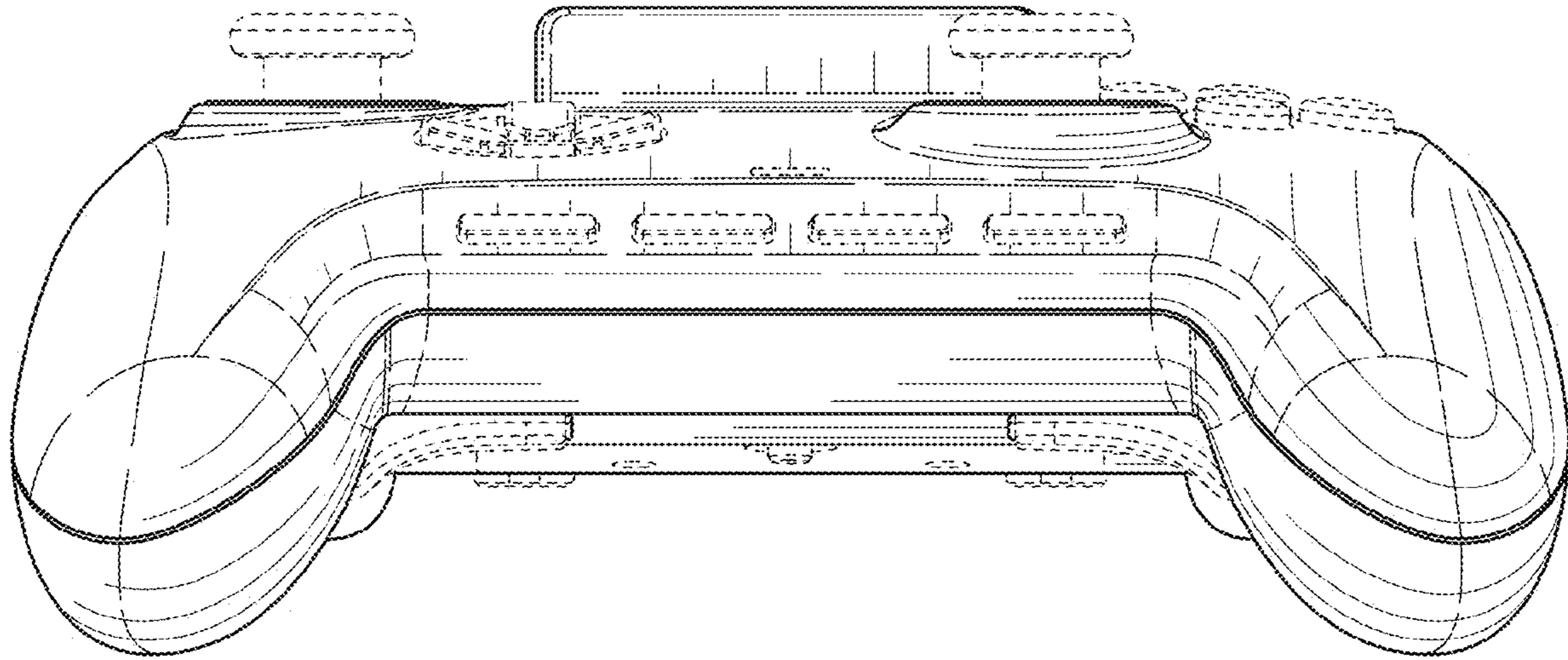


FIG. 2

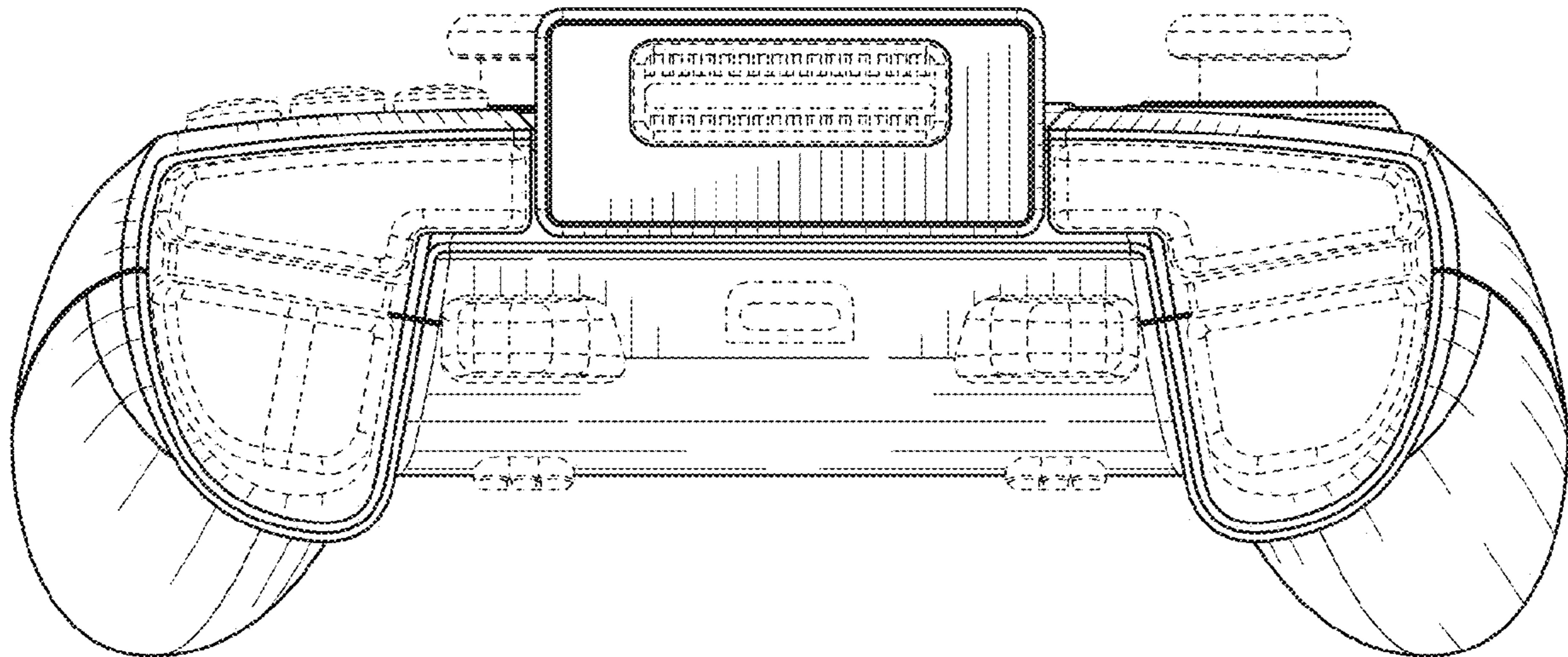


FIG. 3

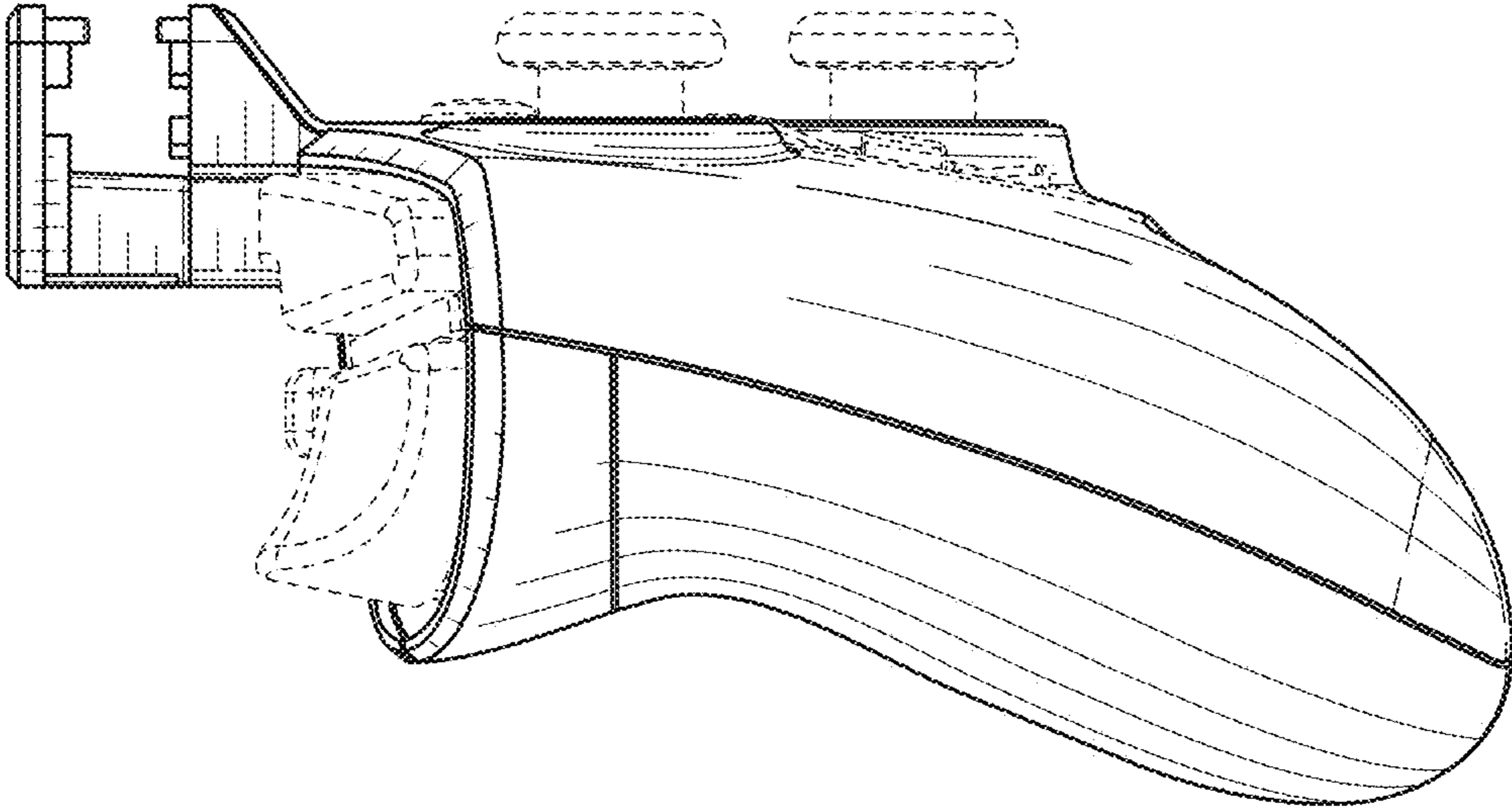


FIG. 4

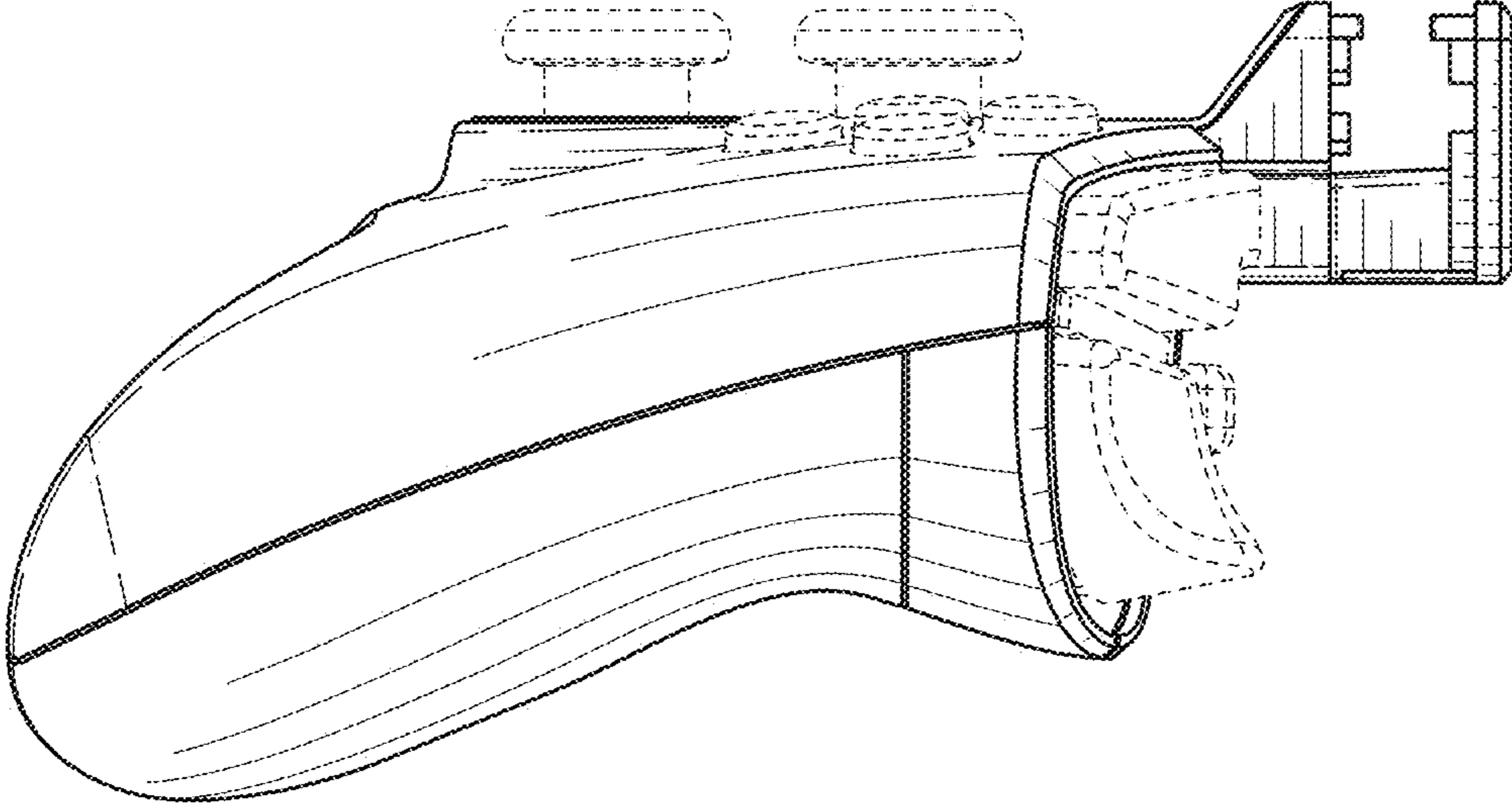


FIG. 5

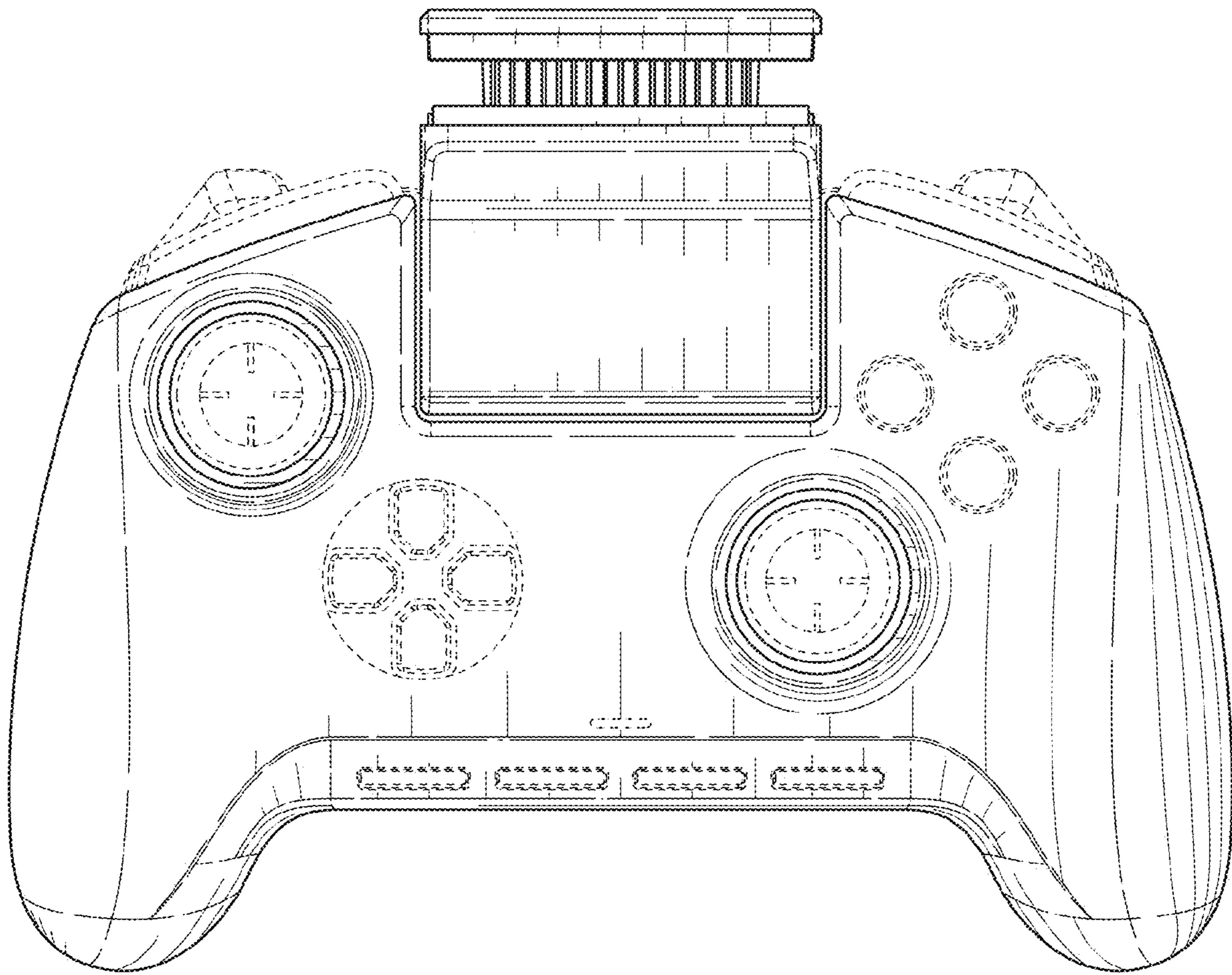


FIG. 6

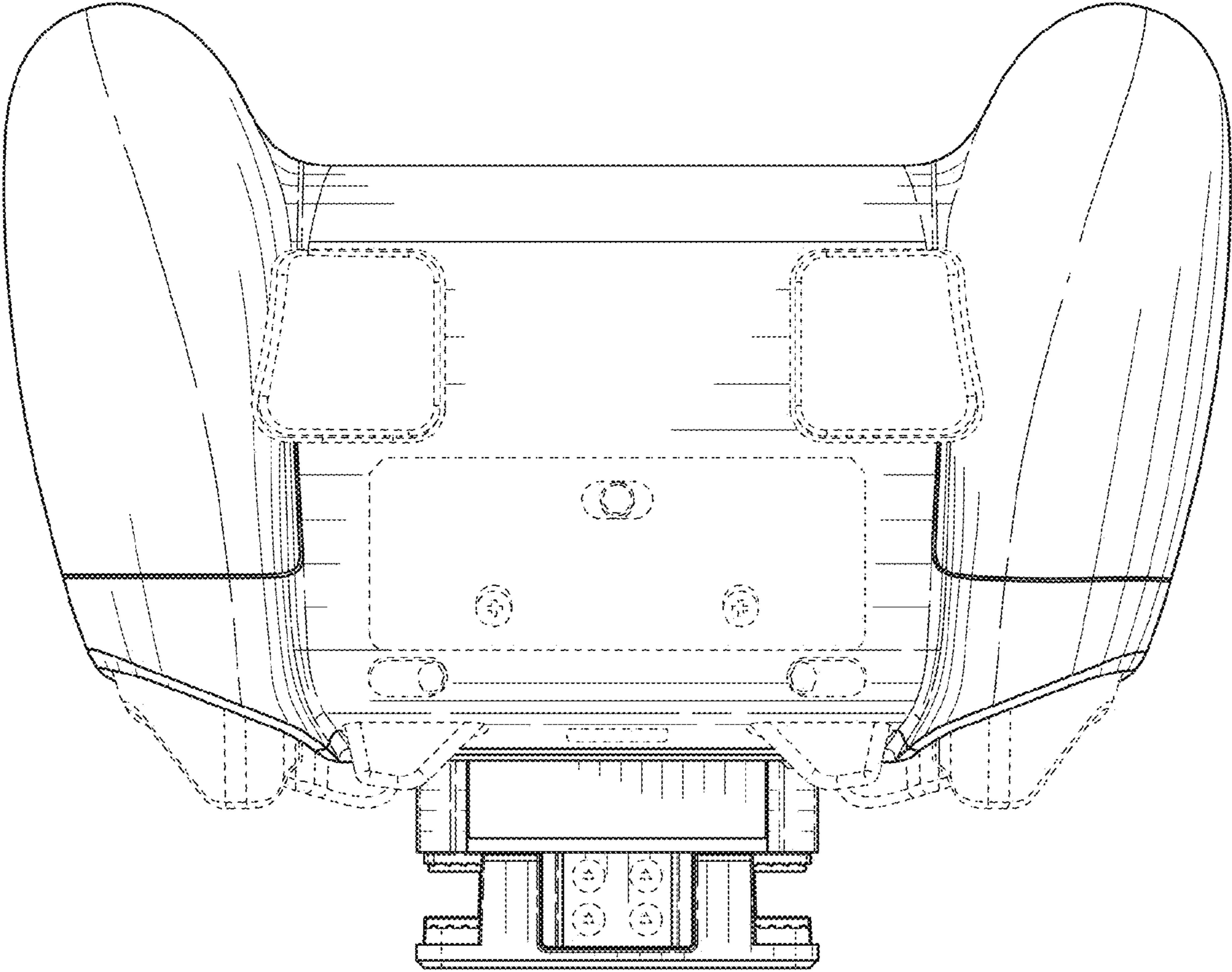


FIG. 7

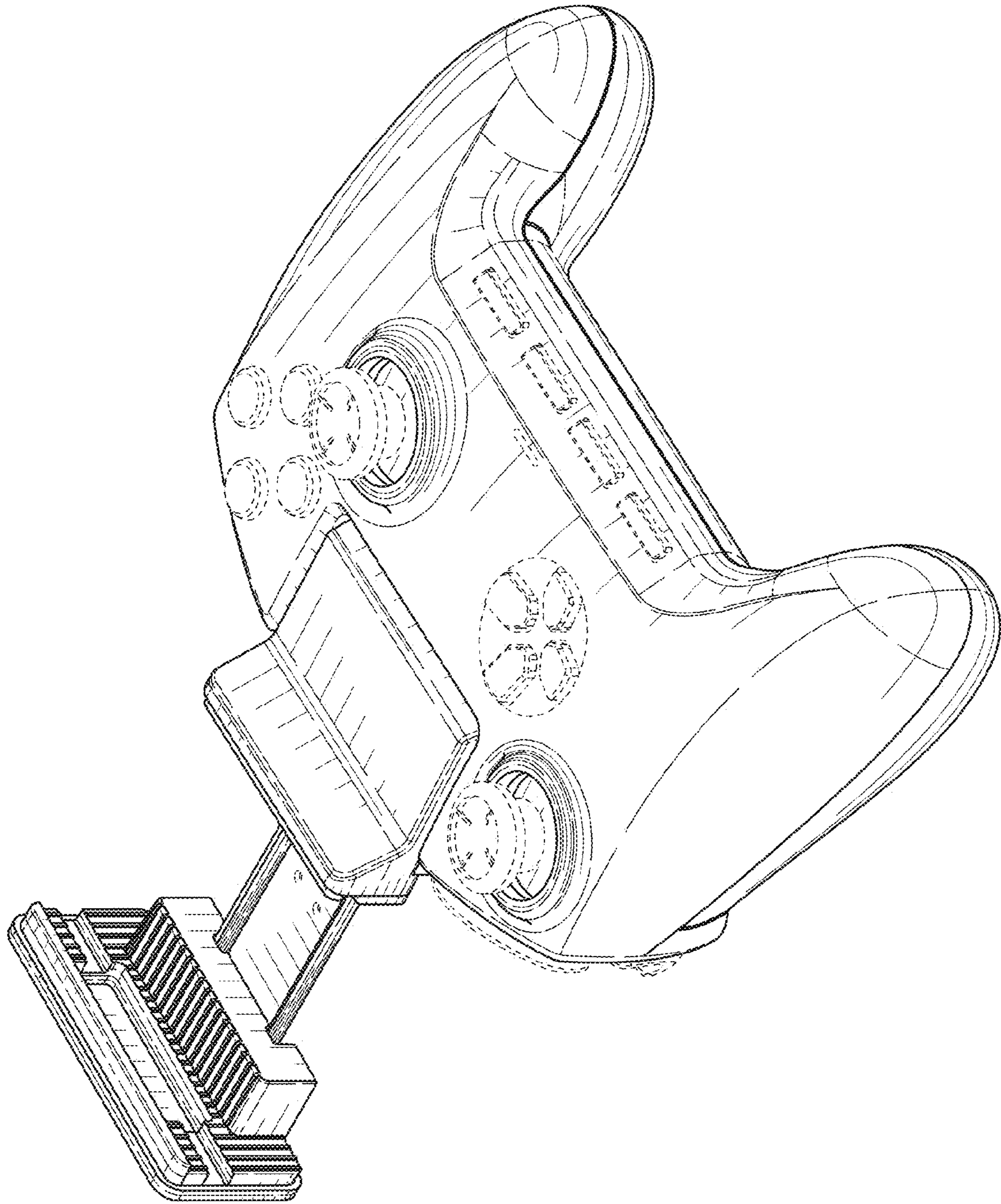


FIG. 8

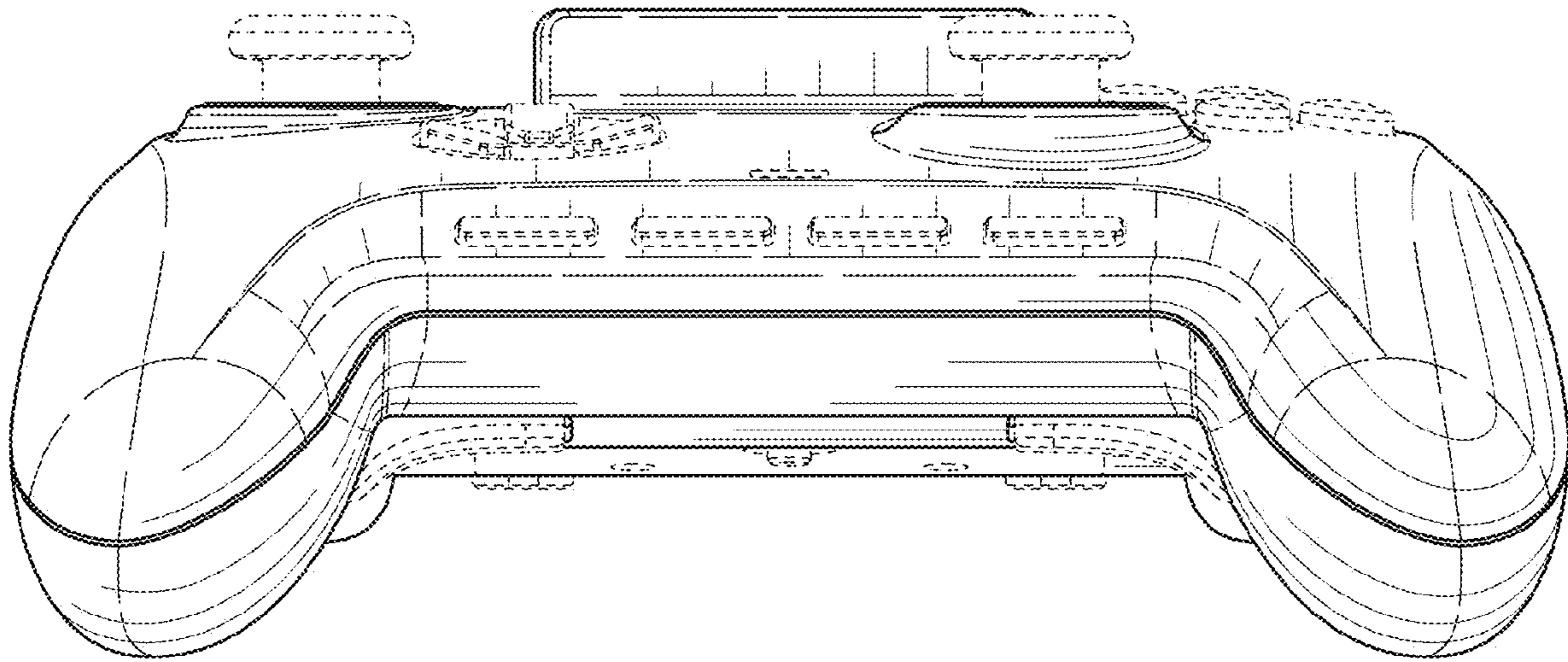


FIG. 9

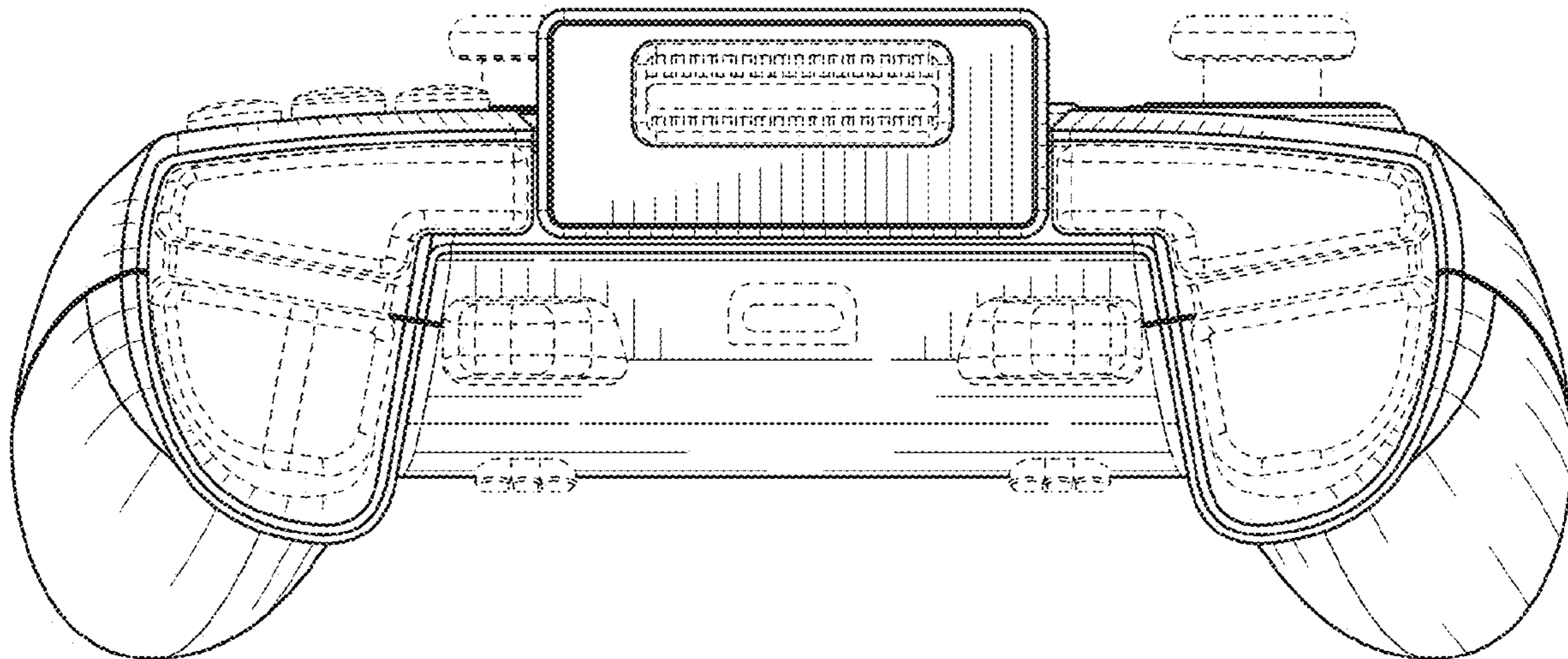


FIG. 10

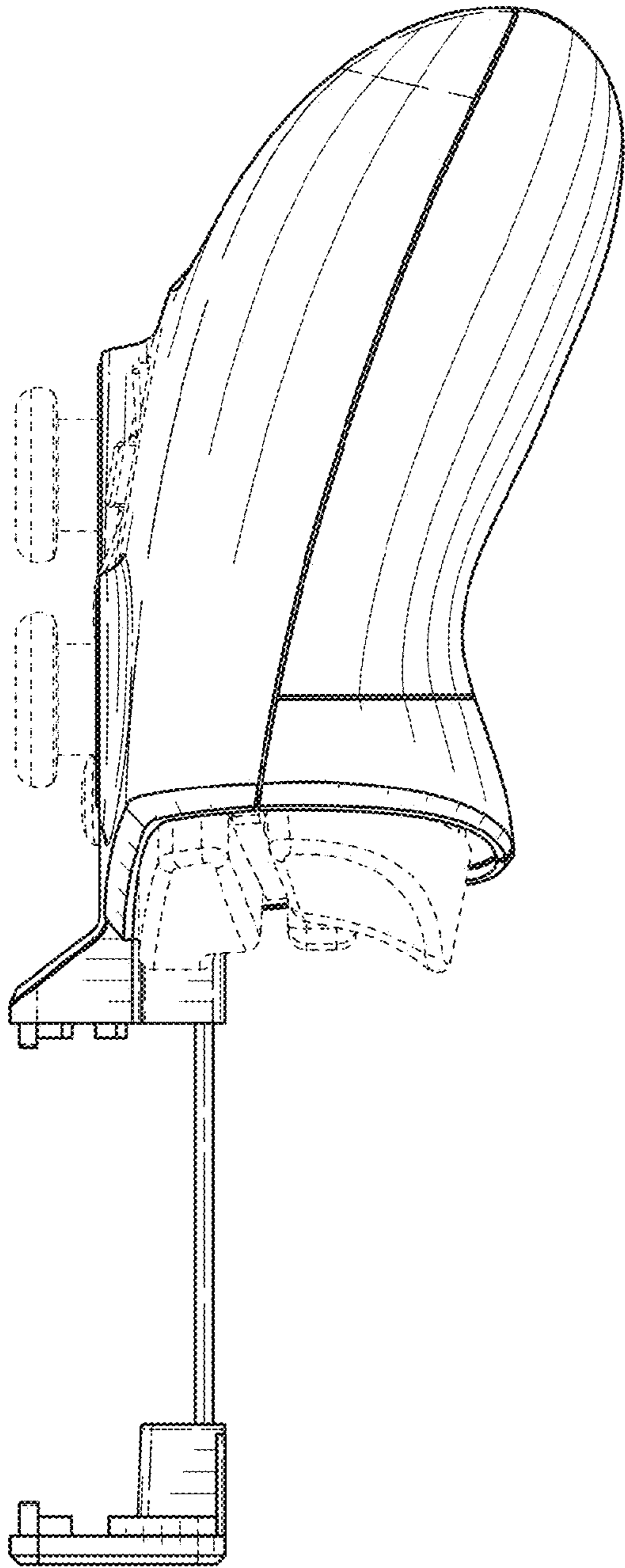


FIG. 11

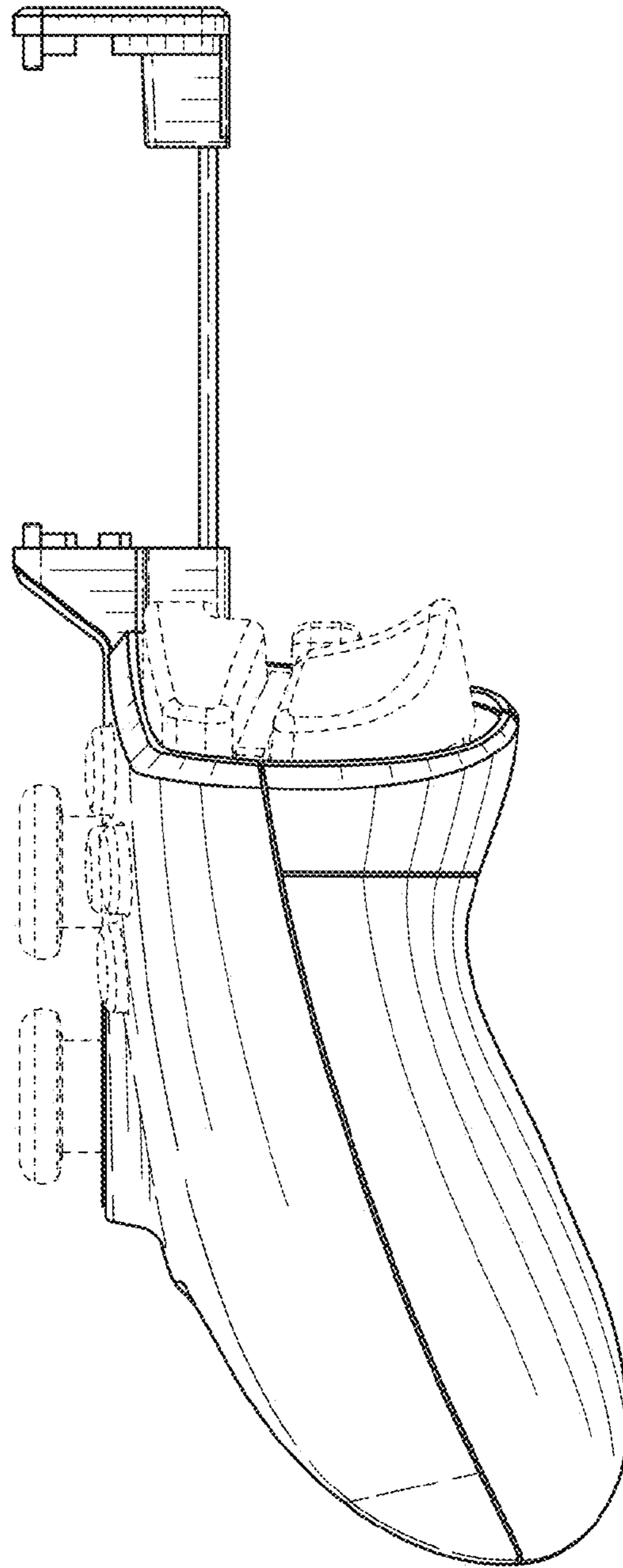


FIG. 12

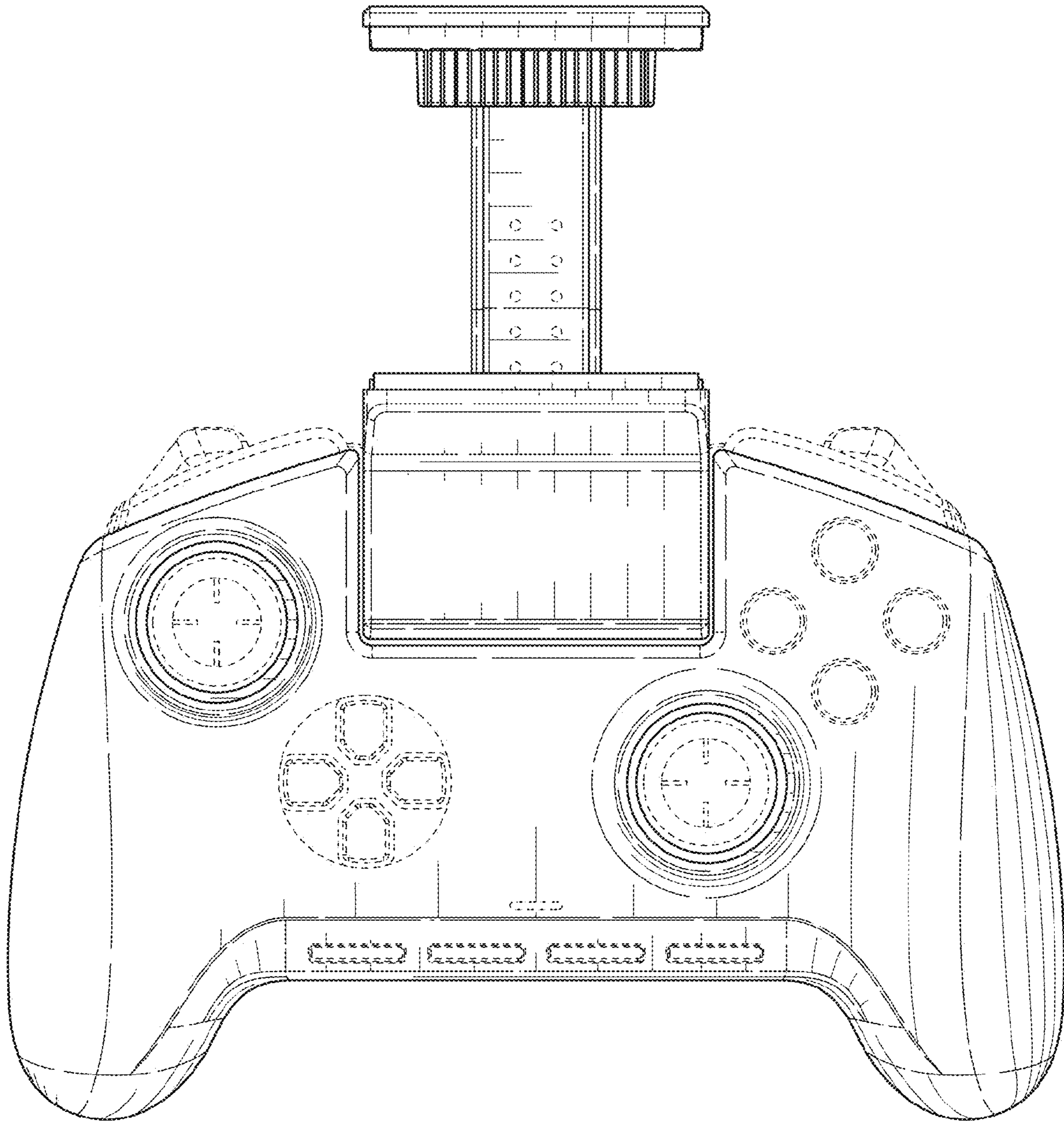


FIG. 13

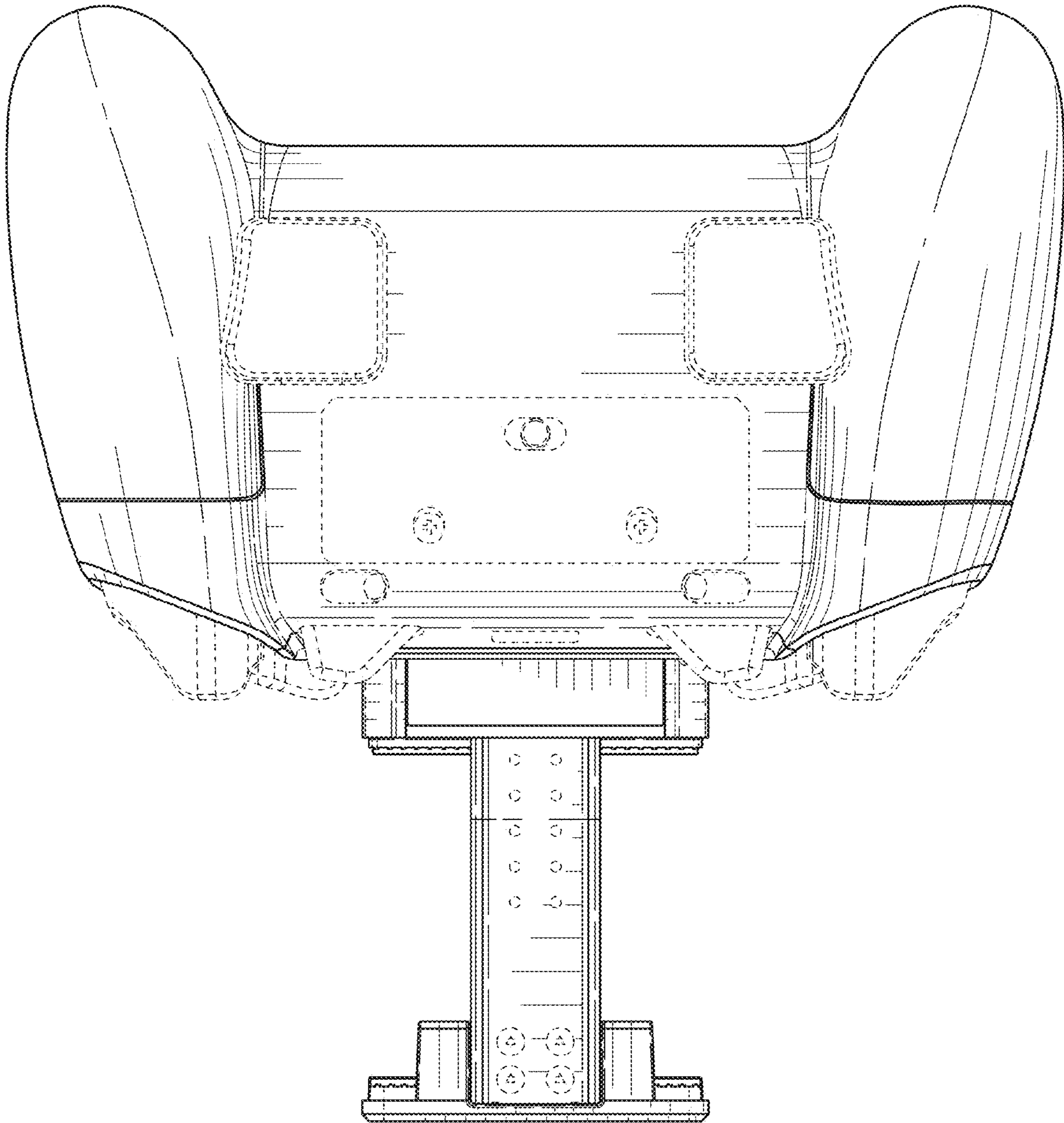


FIG. 14

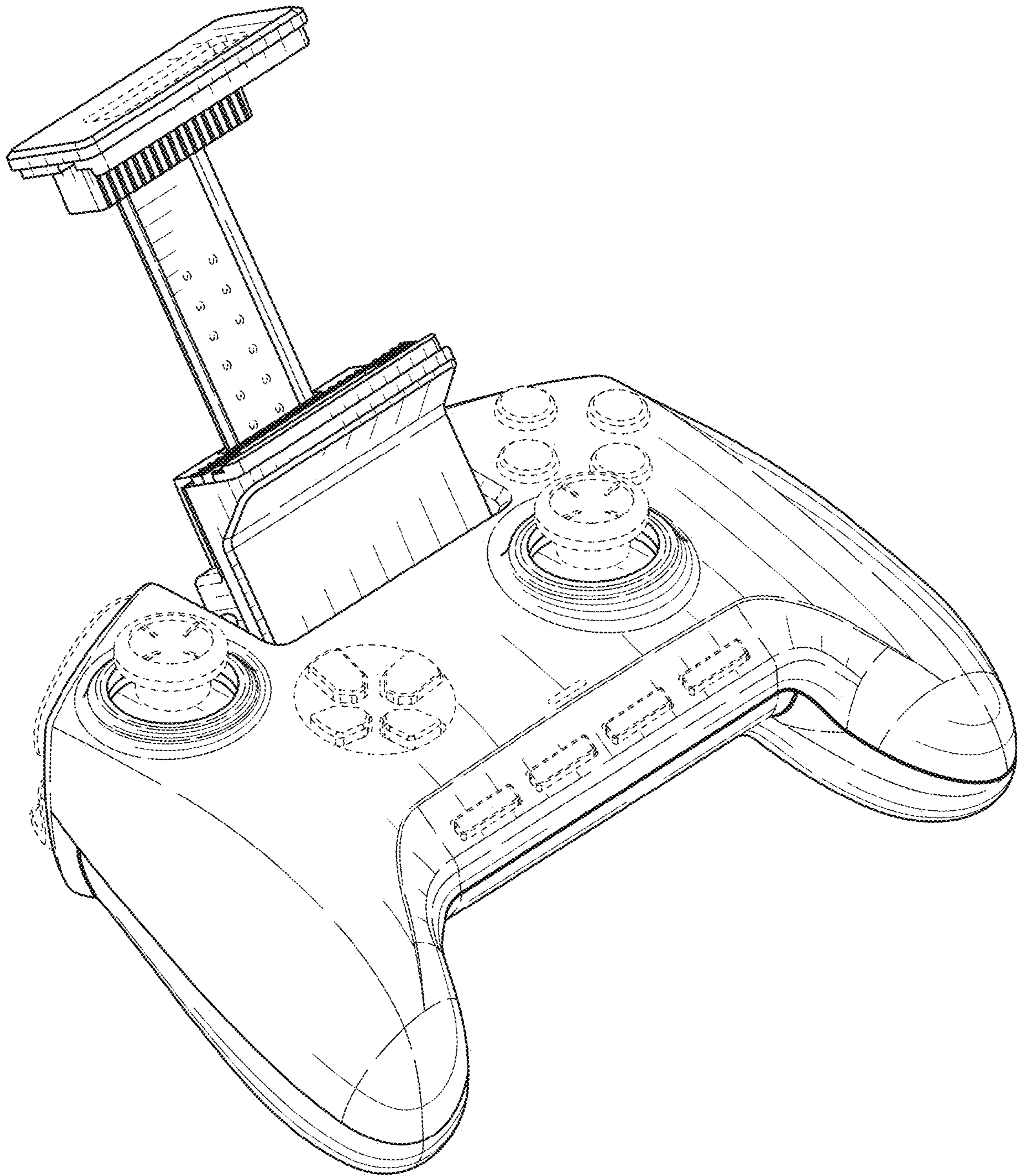


FIG. 15

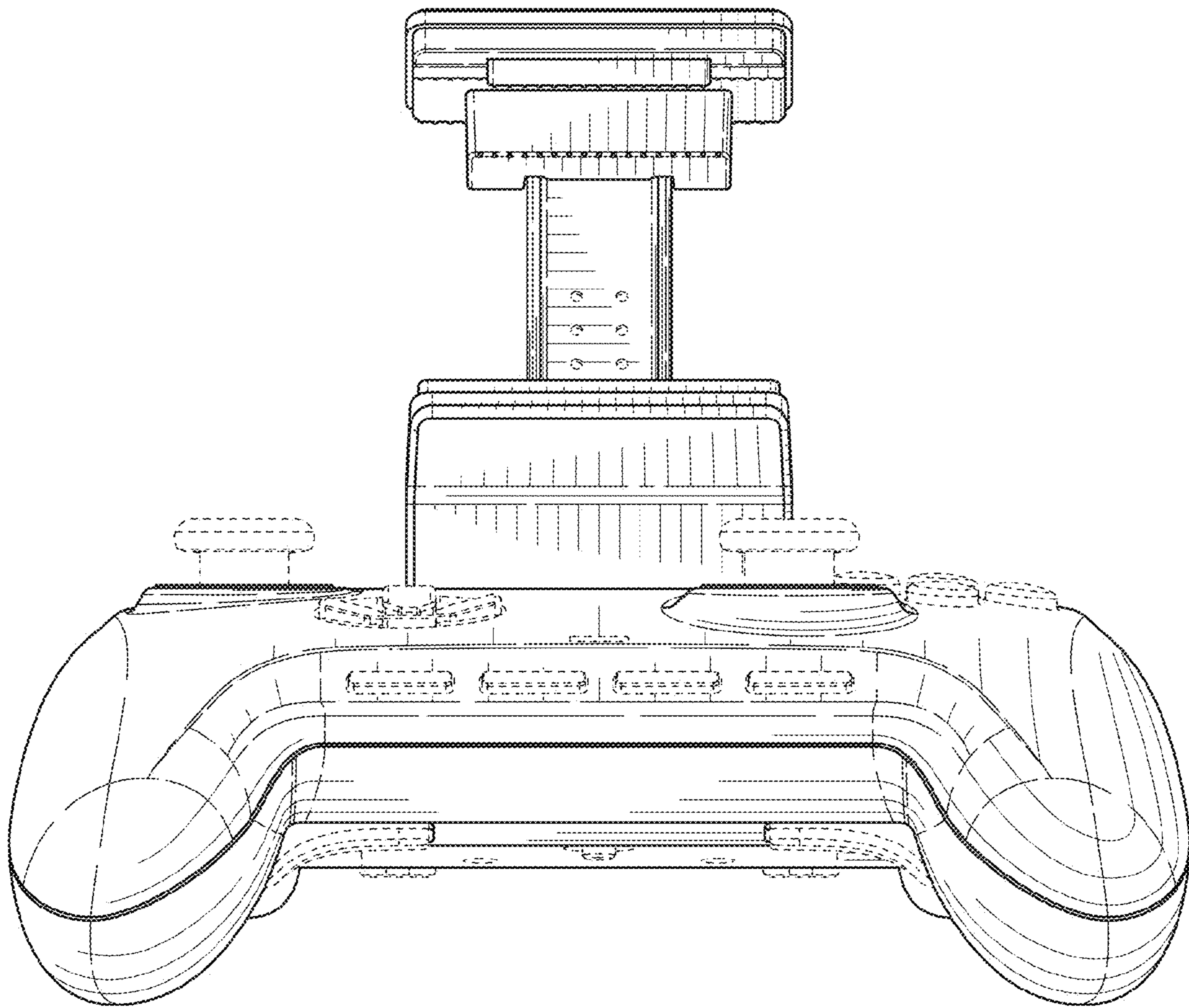


FIG. 16

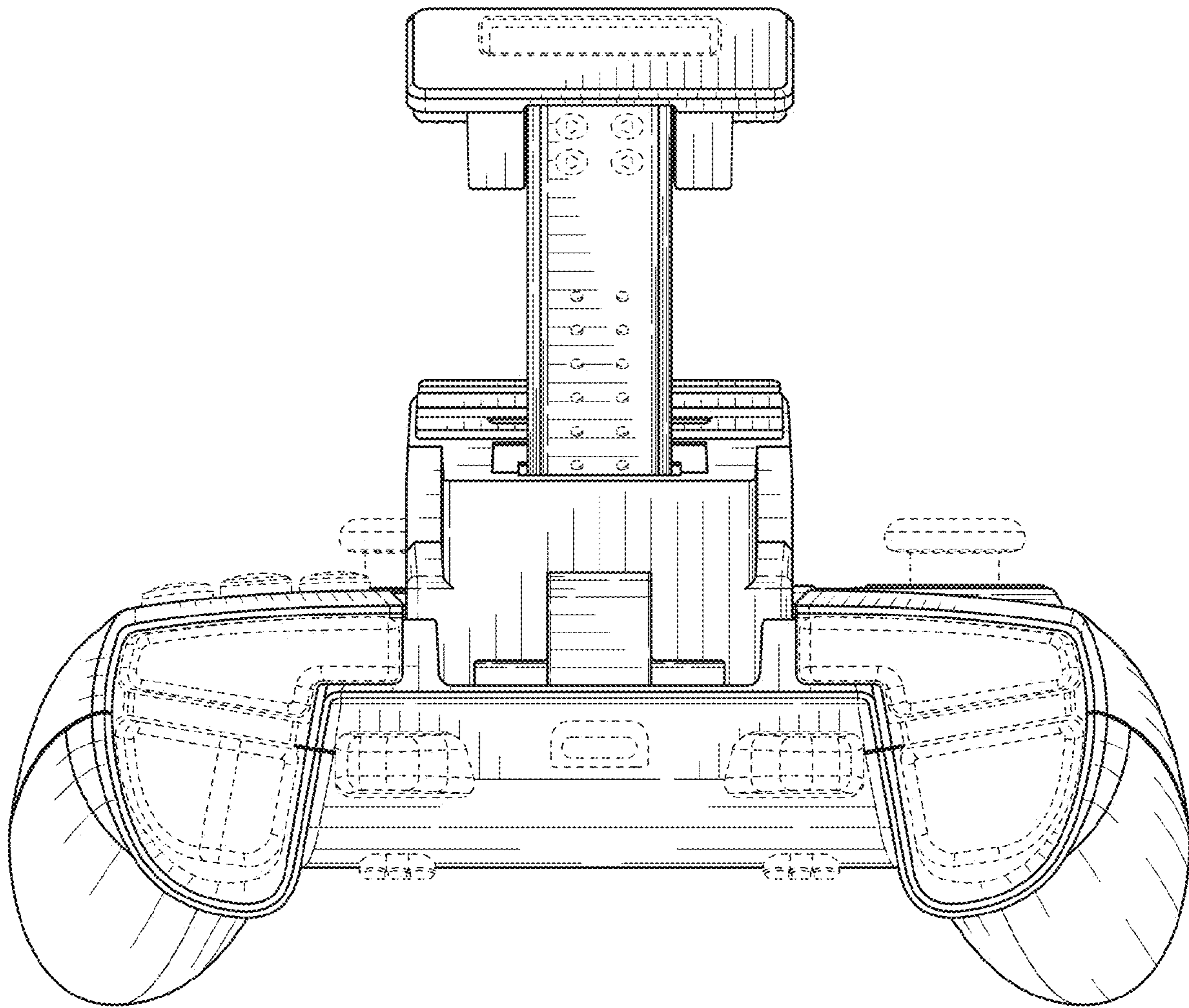


FIG. 17

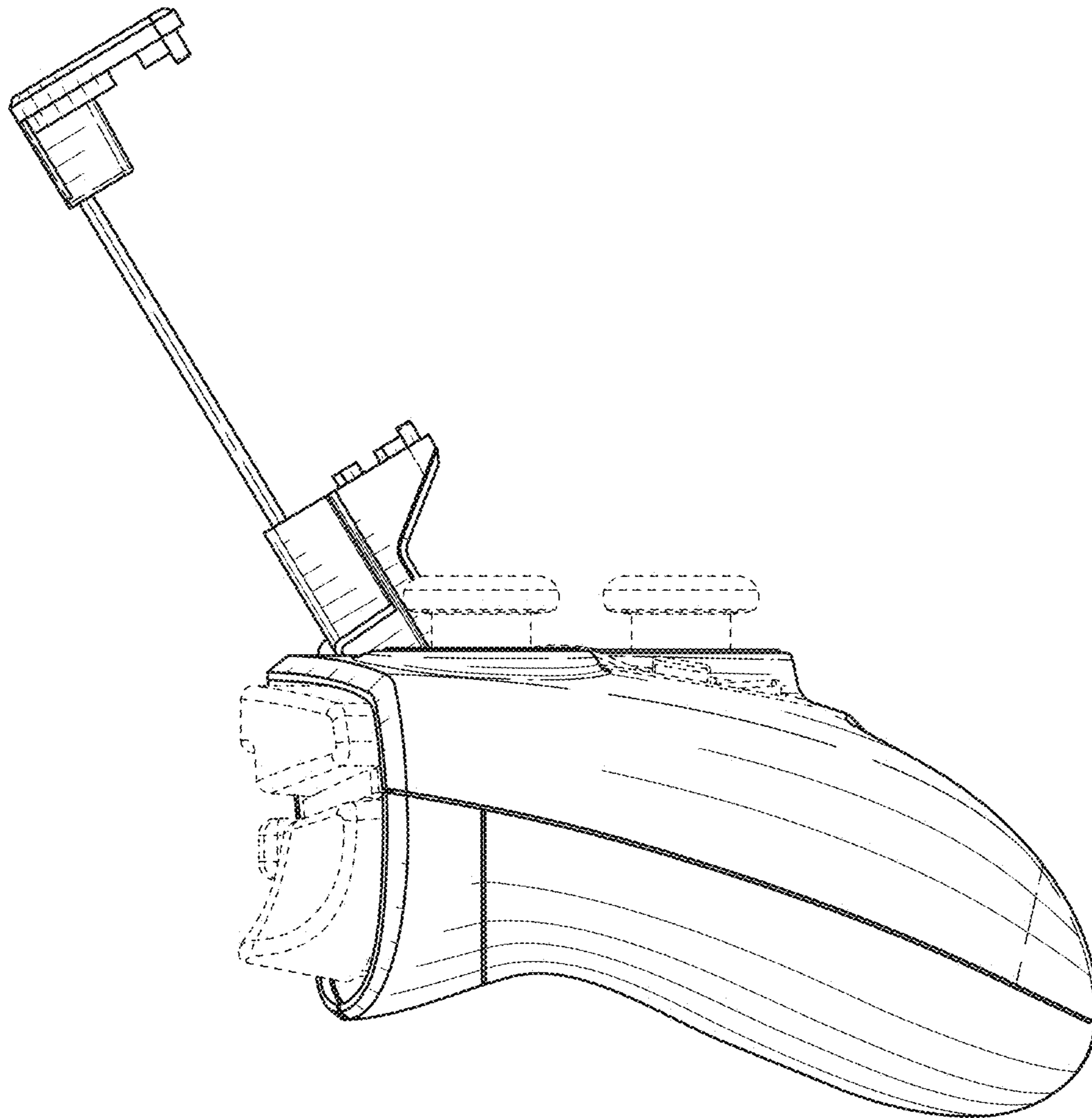


FIG. 18

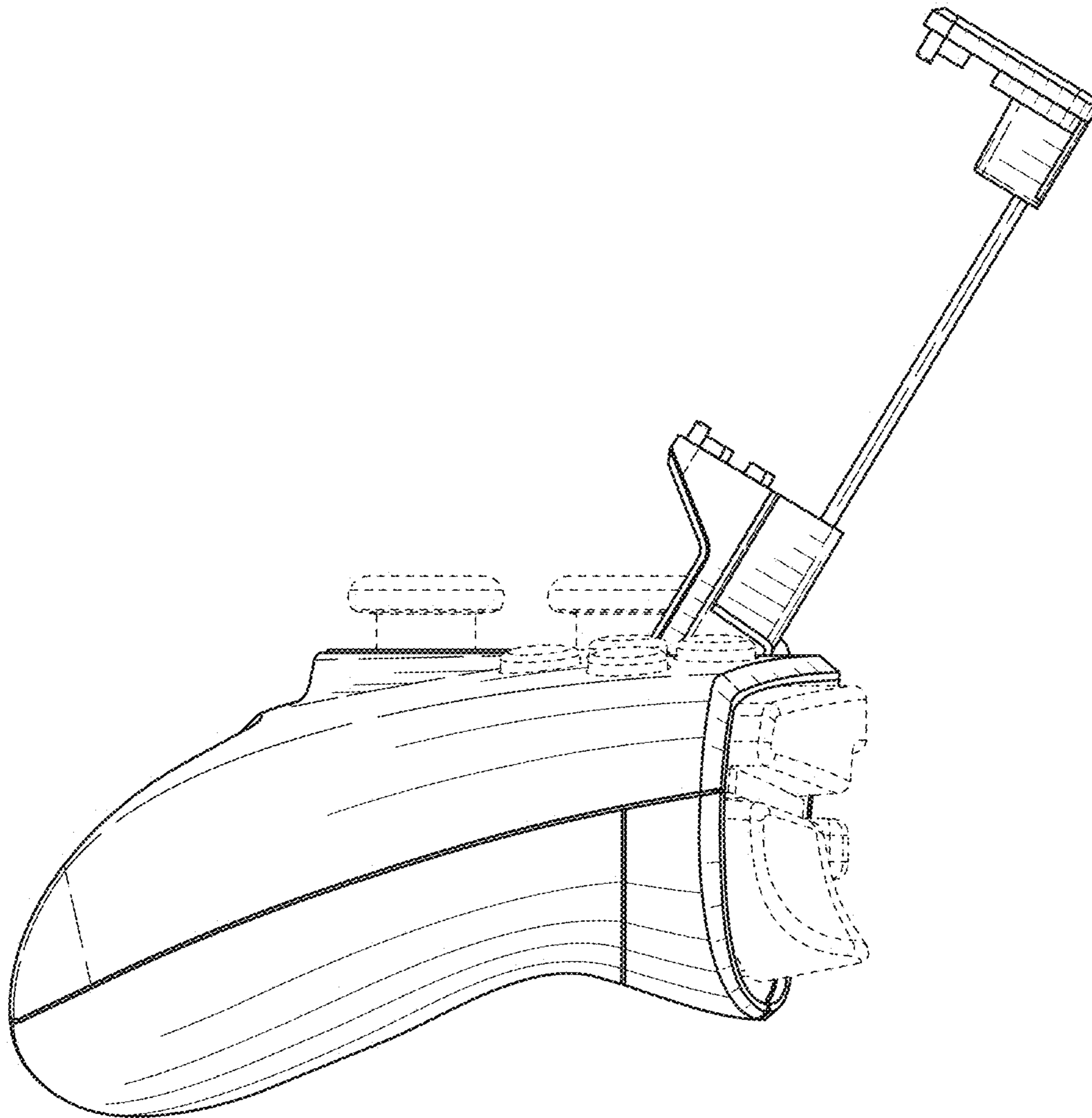


FIG. 19

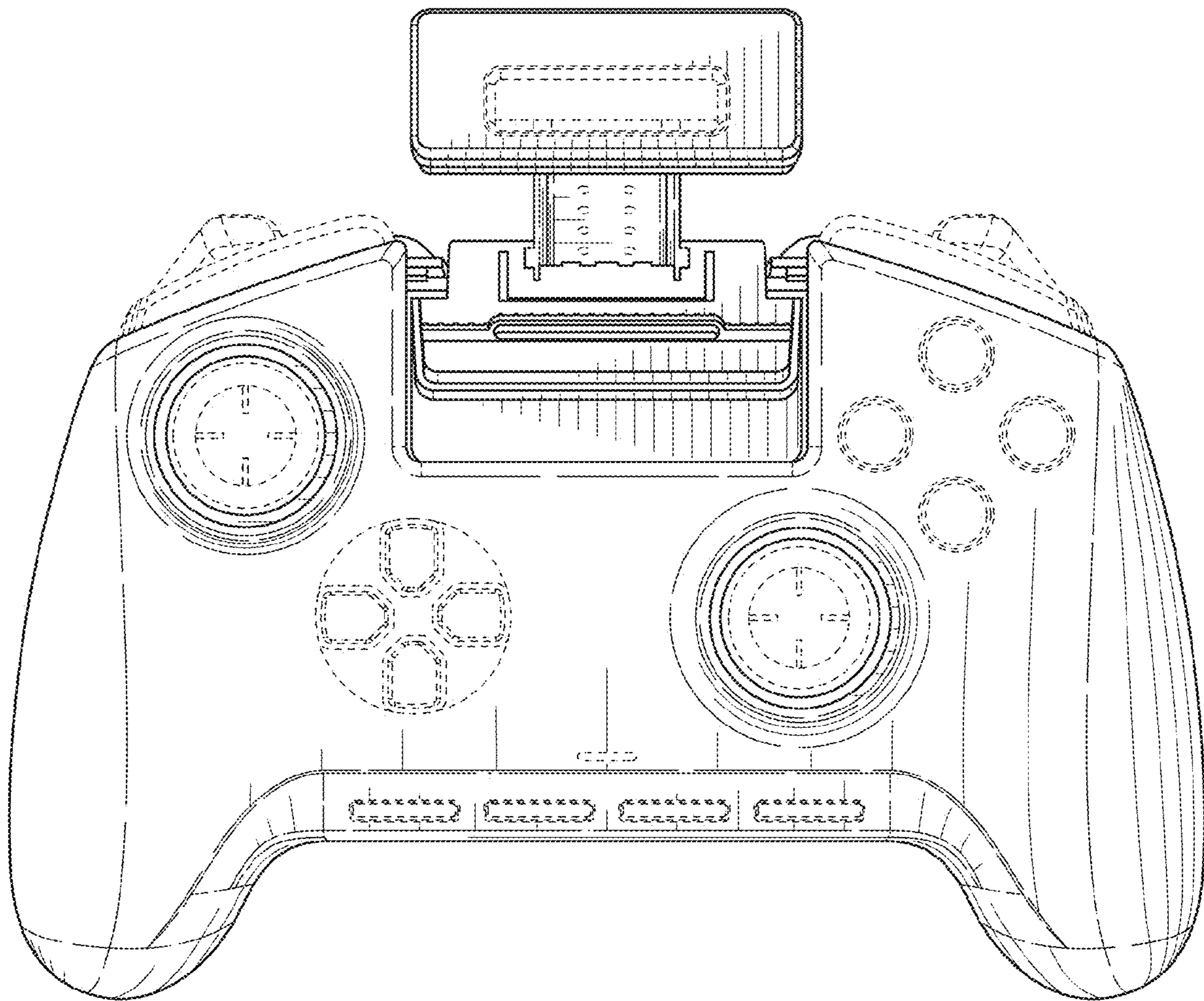


FIG. 20

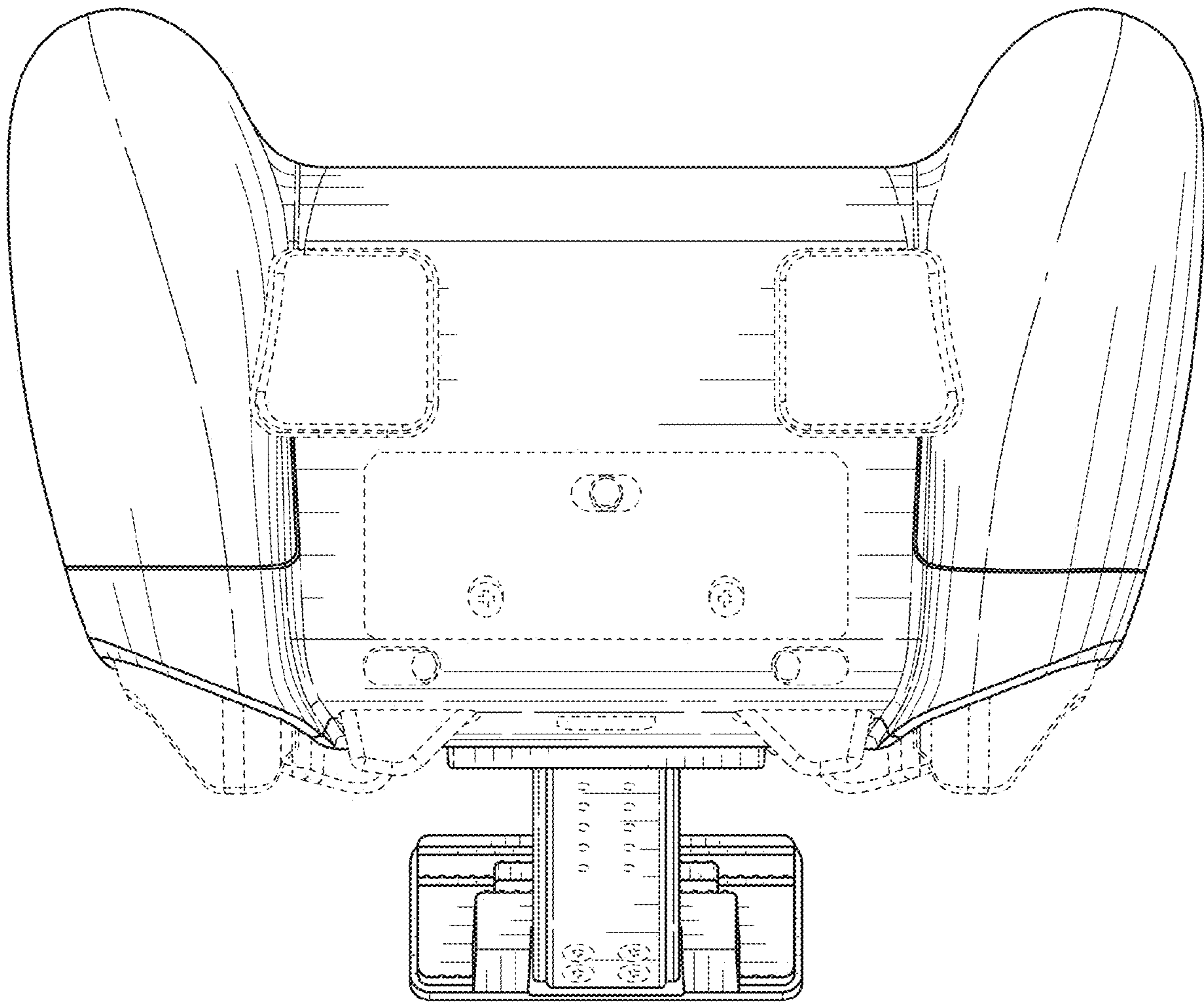


FIG. 21